



THE WORLD'S
FAVOURITE
INDIAN



Bajaj Auto Limited

Akurdi, Pune - 411 035. India.

Tel : +91 20 27472851

Fax : +91 20 27407385

Customer Care : +91 7219821111

Website : www.bajajauto.com

CIN L65993PN2007PLC130076

Spare Parts Catalogue



Notice



All information contained in this manual is based on the latest product information at the time of publication. Bajaj Auto Limited accepts no liability for any inaccuracies or omissions in this publication, although every possible care has been taken to make it as complete and accurate as possible. All procedures and specifications subject to change without prior notice. The right is reserved to make such changes at any time without prior notice and without incurring an obligation to make such changes to product manufactured previously. Contact your authorized Bajaj Dealer for the latest information on product improvements incorporated after this manual was issued.

DOC. NO.: 71120218

REV. 00 JUL 24

Copy rights : All rights reserved. No part of this publicatin may be reproduced, stored in a retrival system, Or transmitted in any form or by any means, electronic mechanical photocopying, recording or otherwise, without the prior written permission of Bajaj Auto LTD.

We have pleasure in presenting the Spare Parts Catalogue for 'FREEDOM NG04' Motorcycle. This catalogue has been specially designed to assist you in selecting the correct parts for procurement to maintain 100% availability.

The Bajaj spares are subjected to the stringent quality control standards to ensure longer life of the vehicle. It is therefore necessary that only the Genuine Bajaj Spares are used.

In a continual effort to improve Performance and Efficiency of the vehicles, Specifications, Diagrams, Illustrations and Part Numbers can change without notice. Consequently, the description in this Spare Parts Catalogue cannot therefore be final and binding on us.

The modifications / alterations which are carried out after the issue of this catalogue, will be conveyed to you through our Service Circulars. You are requested to make necessary corrections in the Parts Catalogue as per the circulars so as to keep your catalogue up-to-date. This will ensure the appropriate and speedy delivery of the Spare Parts as the order placed will bear the latest part numbers.

In case, if you need any technical assistance contact the concerned Regional Office or write to us on the following address :

Bajaj Auto Limited
Service Department
Akurdi, Pune 411 035 India

1. How to Read the Catalogue : Open the catalogue and from the pictorial index locate the group in which the part you want to find is present. Turn over to the concerned page number (as given by pictorial index). Now find out the figure of the part you wish to order. Write down the part number against that particular figure number from the text.

In case, if you have the part number and you need the other details, the part index can be used. The part index (at the end of the catalogue) will give you the figure and page number of the part you wish to order.

2. How to Order Spare Parts : The part number and the description of the part required should be invariably mentioned in the order as per the catalogue text.

The latest part number as conveyed through our service circulars should only appear on the order. In case of ordering painted components, colour shade of the components should be mentioned.

The quantity shown against the part number is the quantity per vehicle for that group so that particular quantity should be multiplied by the number of sets required.

3. Part Number System : We have used 8 digit system for part numbers. The model or hardware item is indicated by first two digits or alphanumeric, the next two or four digits indicate main group and the last four or two digits indicate serial number in main group or serial number or subgroup of fastener respectively. Thus the part numbers will be indicated by 2-2-4 or 2-4-2 digit system. Understanding this system will enable you to identify the spare parts easily.

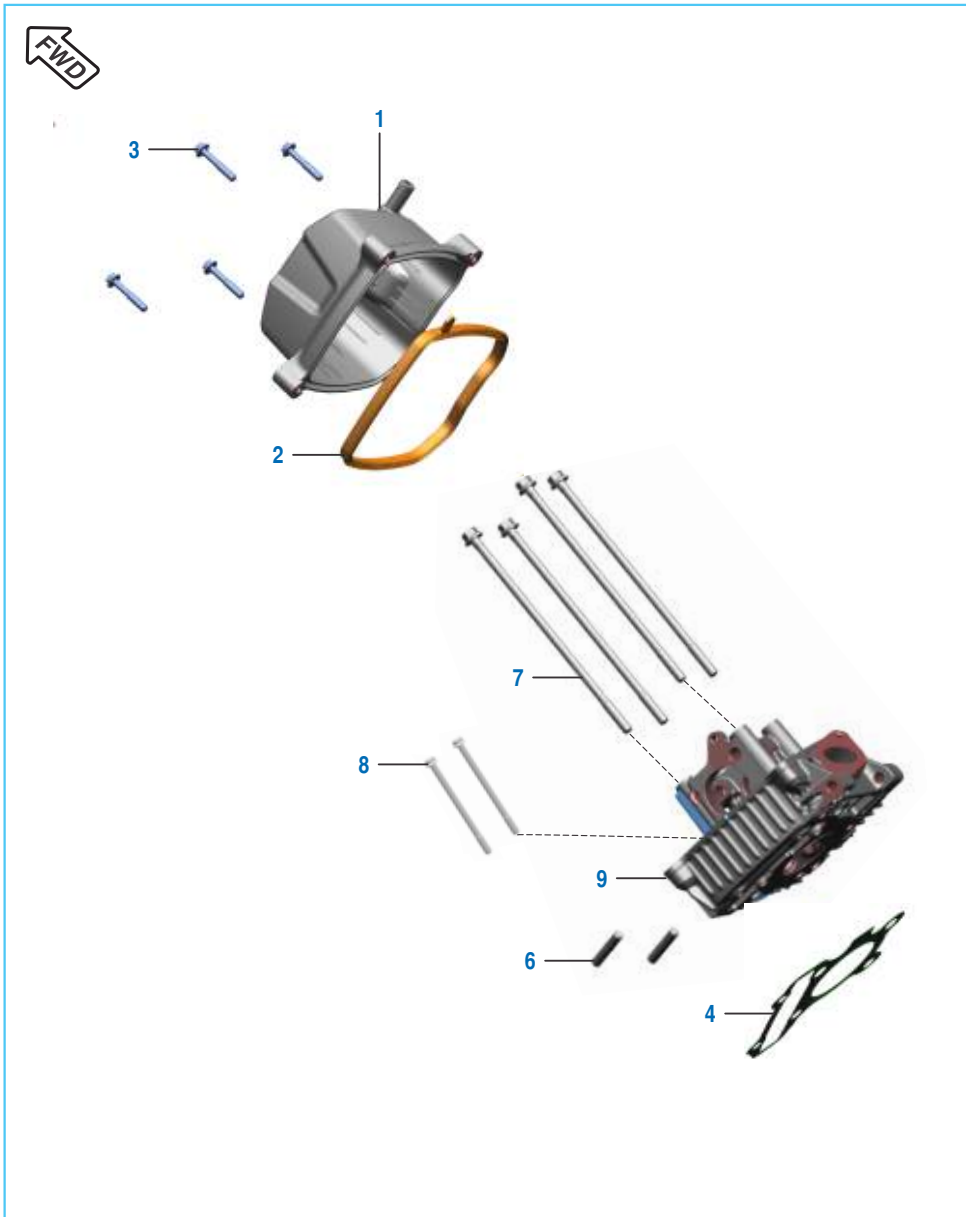
4. Abbreviations : The following abbreviations are used in this catalogue.

Assly	Assembly	V	Volts
N.I.	Not illustrated	W	Watts
C'case	Crankcase	Accl.	Accelerator
Cyl	Cylinder	Comp.	Complete
O/s	Over size	Fr.	Front
Rr.	Rear	Std.	Standard
L	Length	A/t.	Alternate
R.H.	Right hand	L.H.	Left hand
Hex.	Hexagonal	AR	As required

Plate No.	Description	Page No.
1	Cylinder Head & Cover	2
2	Intake Manifold & Throttle Body	4
3	Valve	6
4	Camshaft	8
5	Cylinder and Piston	10
6	Crankshaft / Balancer Idler Gear	12
7	Transmission	14
8	Change Drum / Shift Fork	16
9	Gear Change Mechanism	18
10	Engine Assembly / Crankcase LH	20
11	Crankcase RH	22
12	Oil Pump	24
13	Cover Clutch	26
14	Cover Magneto	28
15	Kick starter Mechanism	30
16	Clutch Assembly - Endurance	32
16A	Clutch Assembly - Makino	32A
17	Air Cleaner Assembly	34
18	CNG System	36 - 38
19	Fuel Tank Assembly	40
20	Silencer Assembly	42
21	H.T. Coil	44
22	Seat Assembly / Seat Lock	46
23	Frame & Frame Fittings	48
24	Engine Mountings	50
25	Swing Arm / Chain Cover	52
26	Rear Shock Absorber & Link Assly Belly Crank	54
27	Foot Rest & Step Holder	56
28	Mudguard - Front	58
29	Mudguard - Rear	60
30	Side Stand / Center Stand	62
31	Tube / Tyre	64

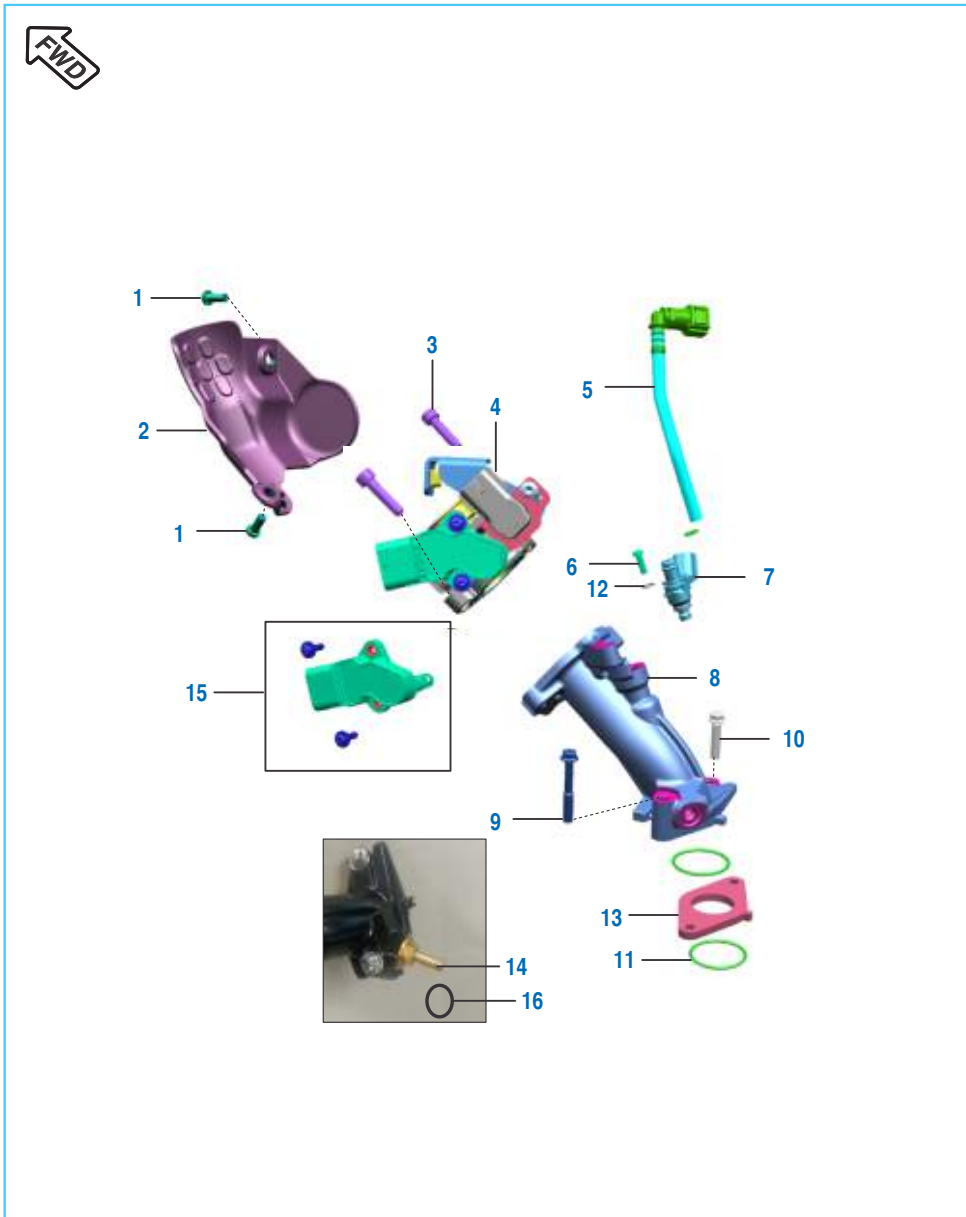
Plate No.	Description	Page No.
32	Front Wheel Hub - Disc Brake Version	66
33	Front Wheel Hub - Drum Brake Version	68
34	Rear Wheel Hub - 130 mm (Disc/Drum LED)	70
35	Rear Wheel Hub - 110 mm (Drum)	72
36	Rear Brake Panel - 130 mm Drum Brake (Disc/Drum LED)	74
37	Rear Brake Panel - 110 mm (Drum)	76
38	Front Master Cylinder - Disc Brake	78
39	Front Caliper Assembly - Disc Brake	80
40	CBS- Combined Braking System - For Disc Brake	82
41	Rear Brake Pedal - Drum Brake	84
42	Handle Bar Assembly	86 - 88
43	Front Fork	90
44	Assembly Tank Cover	92 - 94
45	Fittings - Side Cover & Belly Pan	96
46	Instrument Cluster & Head Lamp - Disc/Drum LED	98
46A	Instrument Cluster & Head Lamp - Drum	98A
47	Control Cables	100
48	Fork Cover Assembly - Disc/Drum LED	102
49	Side Indicators & Tail Lamp	104
50	Wiring Harness / ECU / Battery	106
51	Lock Set & Tool Kit	108
52	Accessories / Grab Handle / Hand Gaurds	110 - 112
53	Painted Parts and Decals - Disc LED version	114 - 116
54	Painted Pars and Decals - Drum version	118 - 122
55	Consumable Parts	124- 126
	Kits List	127 - 132
	Part Index	133

Cylinder Head & Cover



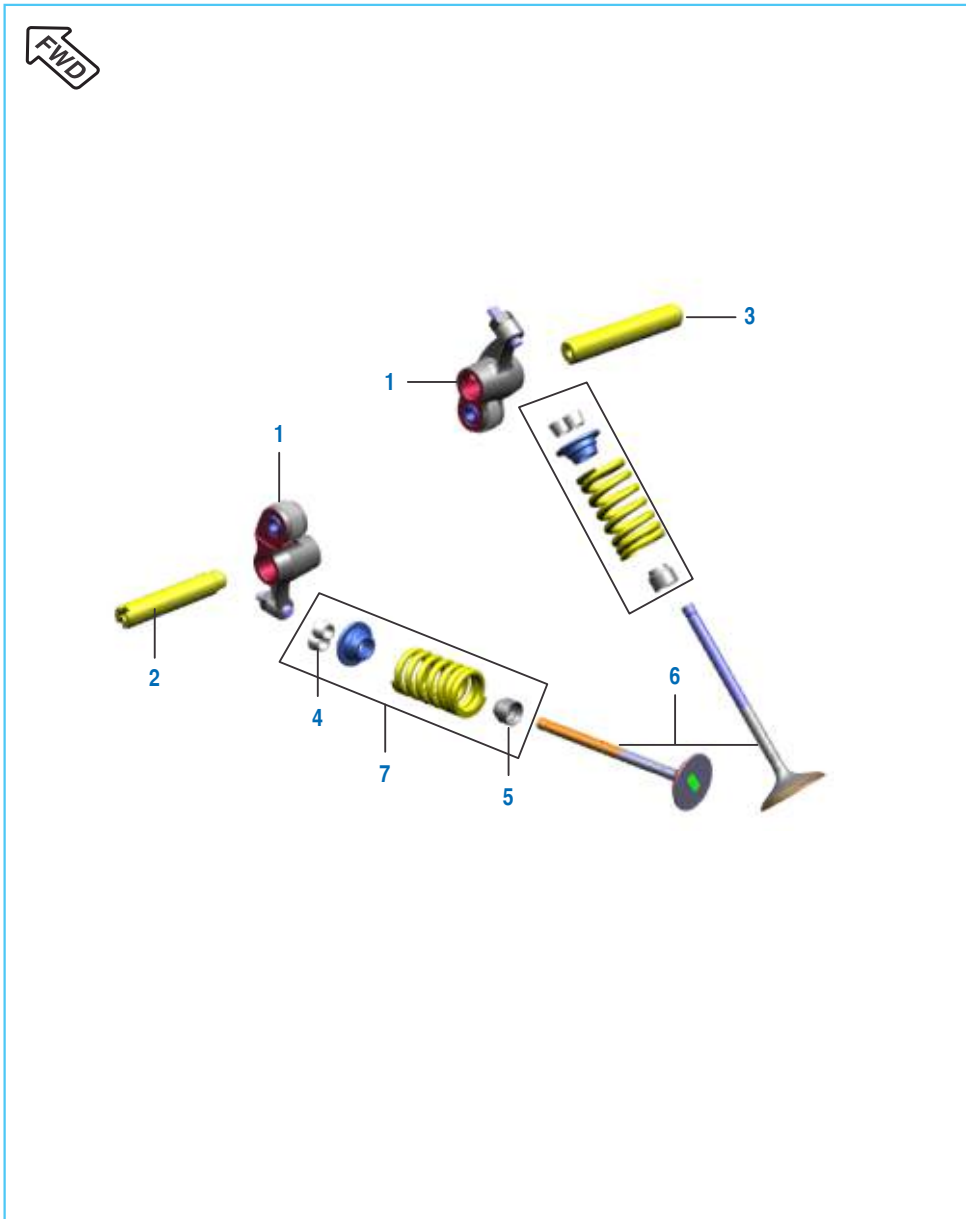
No.	Part No.	Description	Qty.	Remarks
1	PF511619	Cover Assembly Head Cylinder	1	
2	PF511621	Gasket Cover Head Cylinder	1	
3	JV541007	Bolt Flanged M6x1	4	
4	PF511632	Gasket Head Cylinder	1	
5	PF511641	Head Cylinder	1	
6	LAJ00034	Bolt Stud M8x1.25	2	
7	JE511047	Bolt Cylinder Head K11	4	
8	JA511005	Bolt	2	
9	52PF3192	Head Cylinder	1	

Intake Manifold & Throttle Body



No.	Part No.	Description	Qty.	Remarks
1	KBBC0614	Screw Pan Cross M6x1	2	
2	PF583021	Cover Body Throttle	1	
3	KACC0625	Bolt Socket M6x1	2	
4	PF611216	Body Throttle Assembly	1	
5	PF611215	Cap Injector-connector Quick	1	
6	KBBA0412	Screw Pan Cross M4x0.7	1	
7	DH121331	Injector Petrol	1	
8	52PF3296	Manifold Intake	1	
9	KAED0640	Bolt Flanged M6x1	1	
10	KAED0625	Bolt Flanged M6x1	1	
11	LJA00003	Ring O	2	
12	KDAA0408	Washer	1	
13	PF581463	Insulator Manifold	1	
14	AF101899	Nozzle	1	
15	36PD0112	3 In 1 Sensor Kit	1	
16	BF172146	O-ring CNG Rail	1	
17		Stepper Motor	1	
18		Screw	2	

Valve



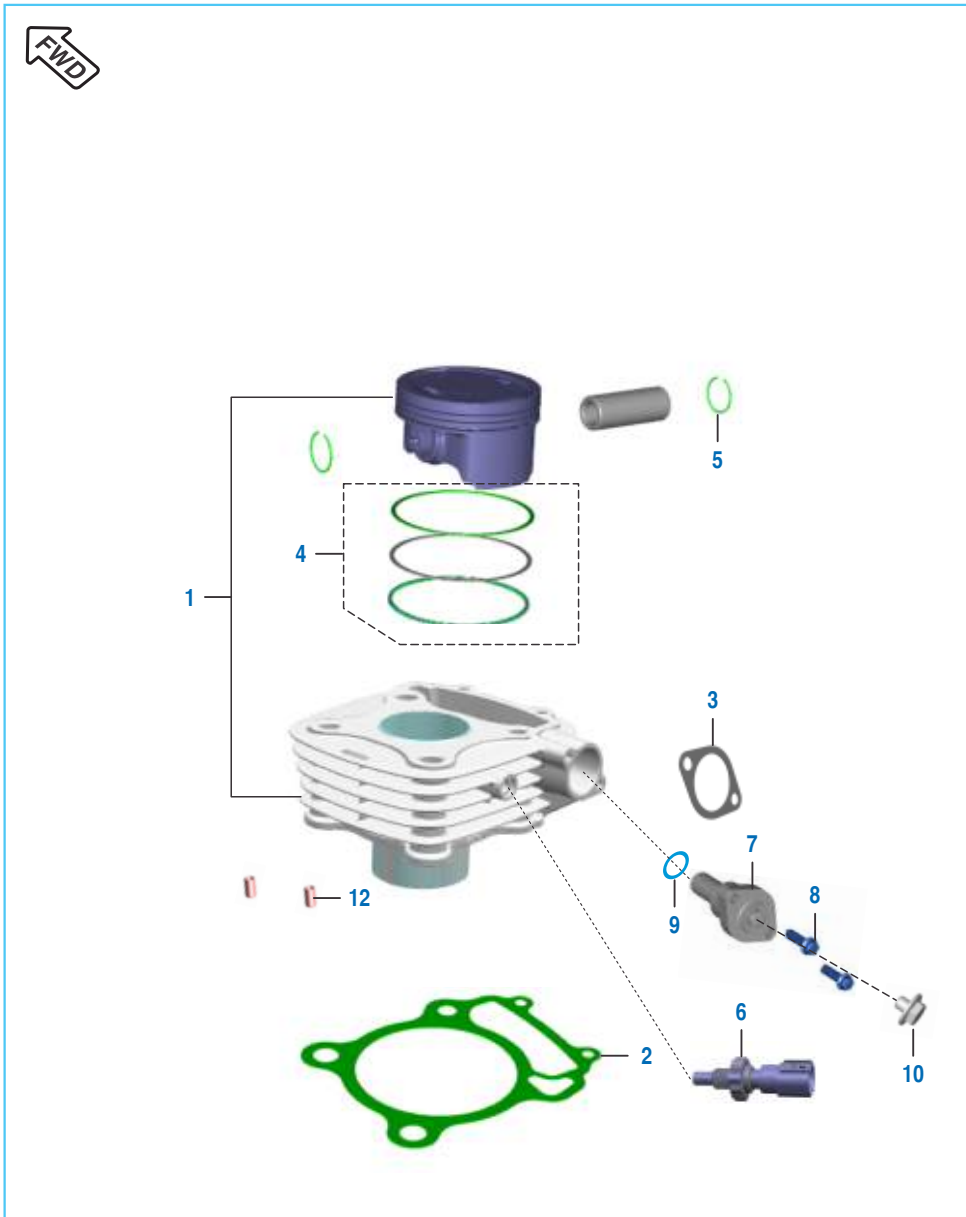
No.	Part No.	Description	Qty.	Remarks
1	PF511310	Rocker Arm Assembly	2	
2	PF511304	Shaft Rocker Arm Exhaust	1	
3	PF511303	Shaft Rocker Arm Intake	1	
4	CB101022	Cotter Valve	4	
5	CB101009	Seal Valve Stem	2	
6	36JH0087	Valve Kit	1	
7	36JH0088	Valve Repair Kit	1	

Camshaft



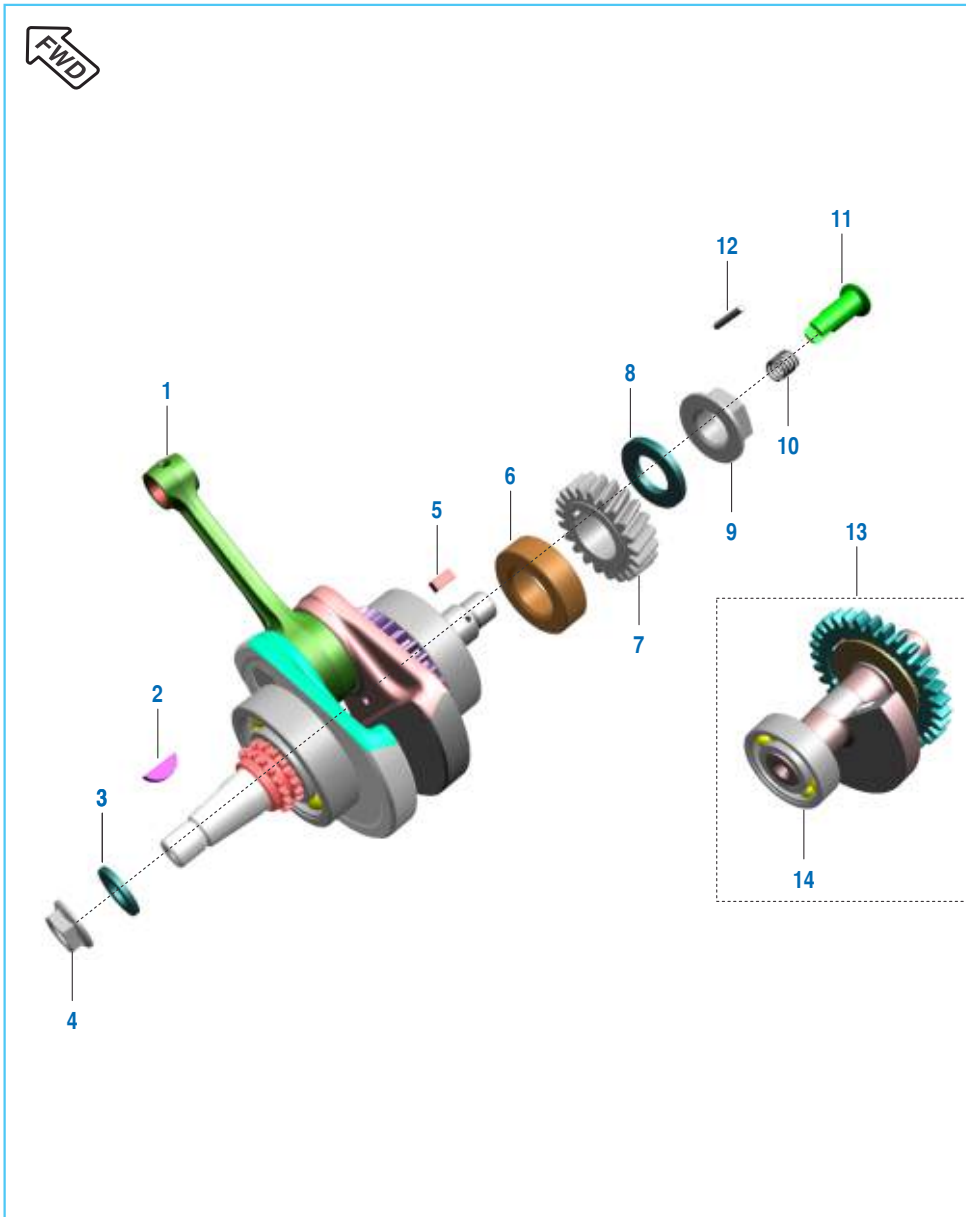
No.	Part No.	Description	Qty.	Remarks
1	PF511305	Camshaft Assembly	1	
2	PF511322	Spacer	1	
3	PF511258	Sprocket Camshaft	1	
4	DH102125	Bolt Flanged-m8x1	1	
5	36JH0093	Kit Chain Guide	1	
6	DH101392	Bolt Pivot`	1	
7	PF511257	Chain	1	
8	AA101437	Bolt Flanged M6x1	1	
9	PF511307	Stopper Bearing	1	

Cylinder and Piston



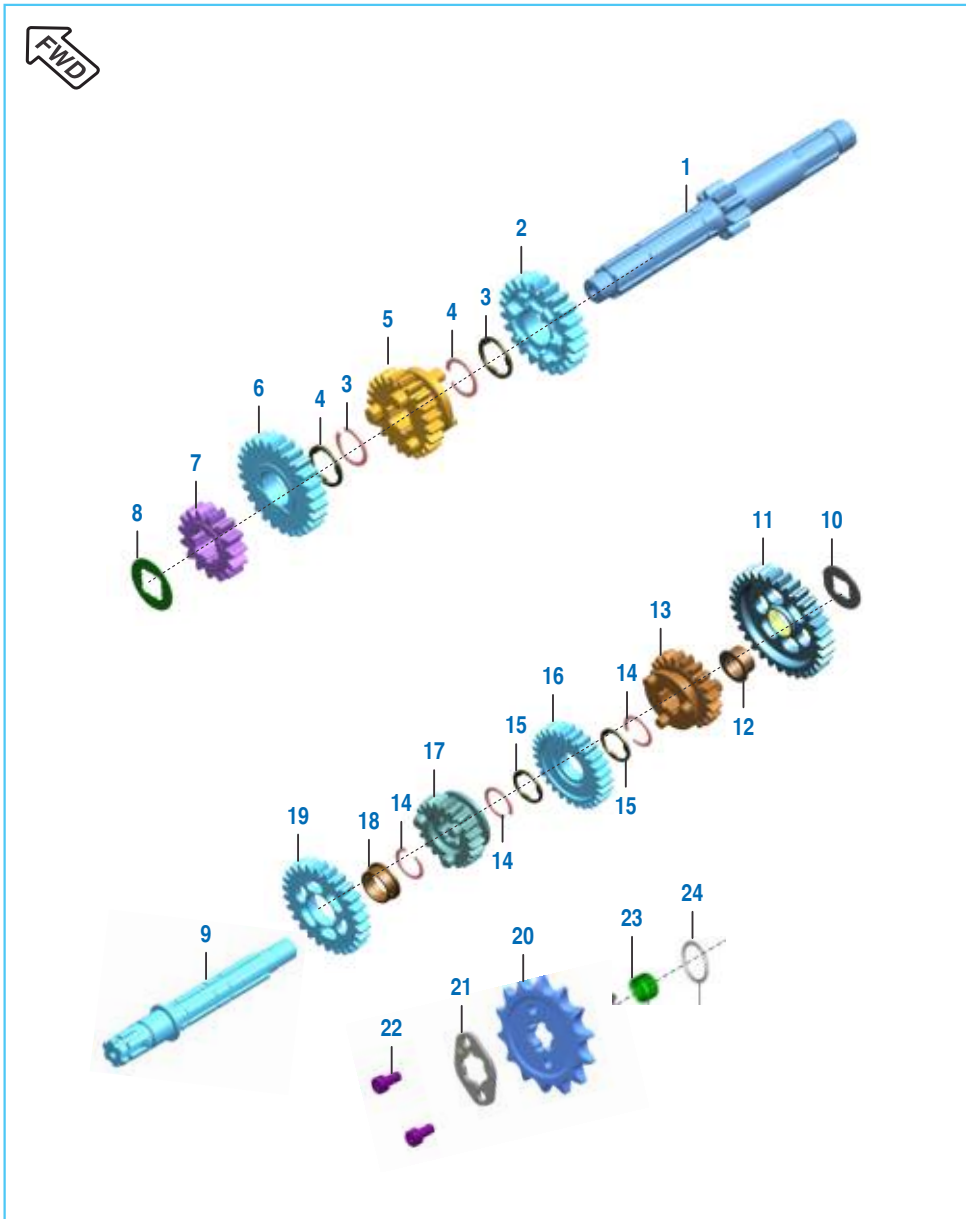
No.	Part No.	Description	Qty.	Remarks
1	36JH0089	Kit Block Piston	1	
2	PF521043	Gasket Block Cylinder	1	
3	CS101128	Gasket	1	
4	36JH0092	Piston Ring Set	1	
5	PA521229	Circlip	2	
6	JE351407	Engine Temperature Sensor	1	
7	JH521005	Tensioner Assembly	1	
8	KAED0620	Bolt Flange Small-M6	2	
9	39266921	O-ring	1	
10	DD101062	Bolt	1	
11	39100006	Hollow Dowel	2	

Crankshaft / Balancer Idler Gear



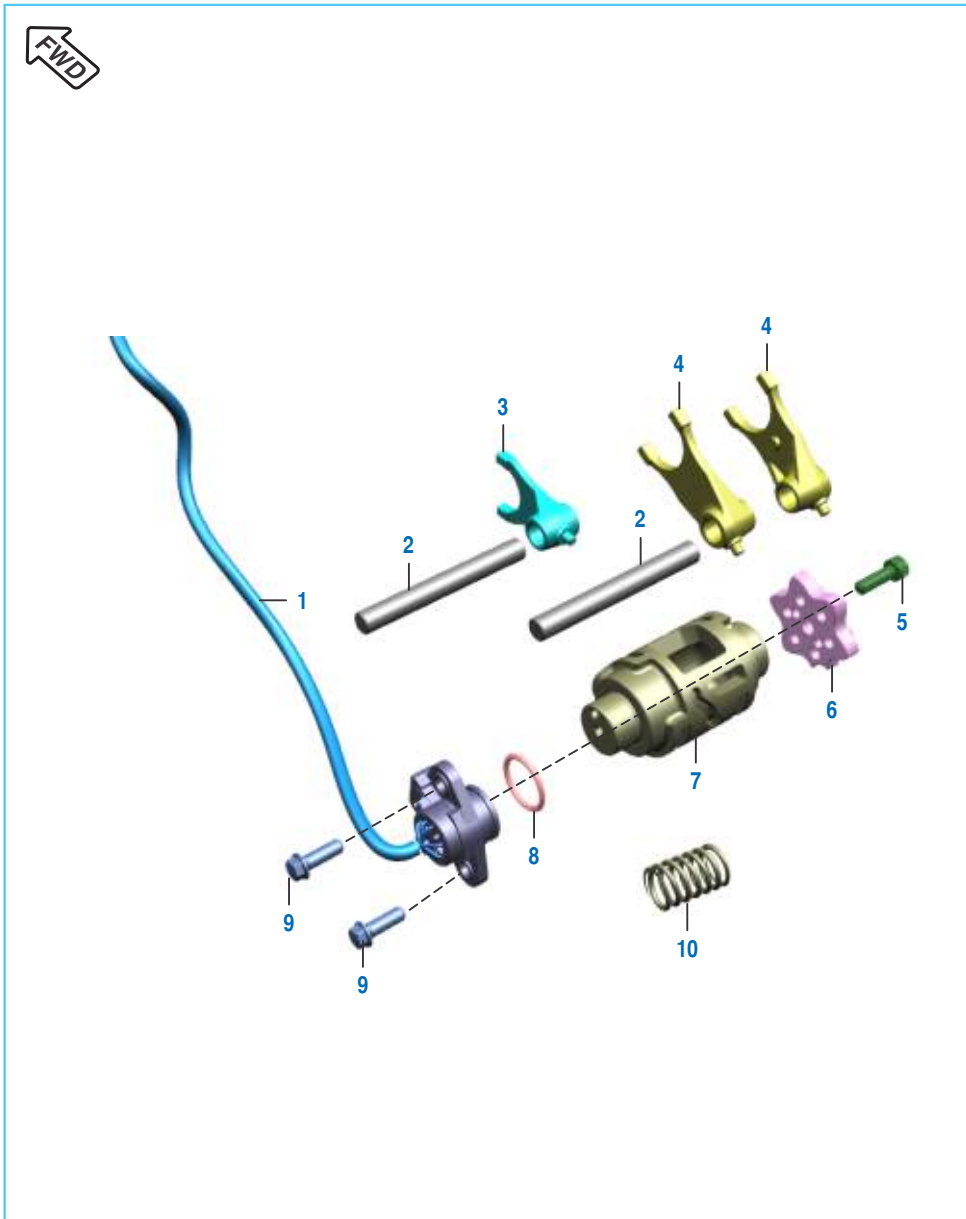
No.	Part No.	Description	Qty.	Remarks
1	PF531111	Crankshaft Assembly	1	
2	KFAB4050	Key Woodruff	1	
3	LDA00025	Washer Plain	1	
4	59150014	Nut Hex Flanged M14x1	1	
5	DS101154	Key (design)	1	
6	PF531081	Spacer	1	
7	JZ531006	Gear Primary Drive	1	
8	LDA00025	Washer Plain	1	
9	59150014	Nut Hex Flanged M14x1	1	
10	JA531012	Spring	1	
11	JB531021	Plunger Oil Crankshaft	1	
12	JA531015	Pin (c/s Plunger)	1	
13	PF531202	Balancer Assembly	1	
14	KPBF6203	Bearing-ball	2	

Transmission



No.	Part No.	Description	Qty.	Remarks
1	PF551025	Shaft Input	1	
2	PA551207	Gear Fourth Drive	1	
3	JA551002	Spline Washer (17.2x20.5x1.5)	2	
4	39098717	Ring Snap	2	
5	PF551201	Gear Third Drive	1	
6	PF551214	Gear Fifth Drive	1	
7	JE551200	Gear Second Drive	1	
8	JA551004	Washer Thrust 2nd Drive	1	
9	JZ551008	Shaft Output	1	
10	JA551008	Washer Thrust (12.2x27x1)	1	
11	PF551212	Gear 1st Driven D105	1	
12	JZ551205	Bush 1st Driven	1	
13	PA551206	Gear Fourth Driven	1	
14	39098717	Ring Snap	3	
15	JA551002	Spline Washer (17.2x20.5x1.5)	2	
16	PF551204	Gear Third Driven	1	
17	PF551216	Gear Fifth Driven	1	
18	JZ551210	Bush Gear 2nd Driven	1	
19	PF551234	Gear Second Driven	1	
20	JZ551004	Sprocket	1	
21	DU101213	Plate Sprocket Drive	1	
22	DS101355	Bolt Socket	2	
23	JA551009	Spacer	1	
24	59210024	O Ring	1	

Change Drum / Shift Fork



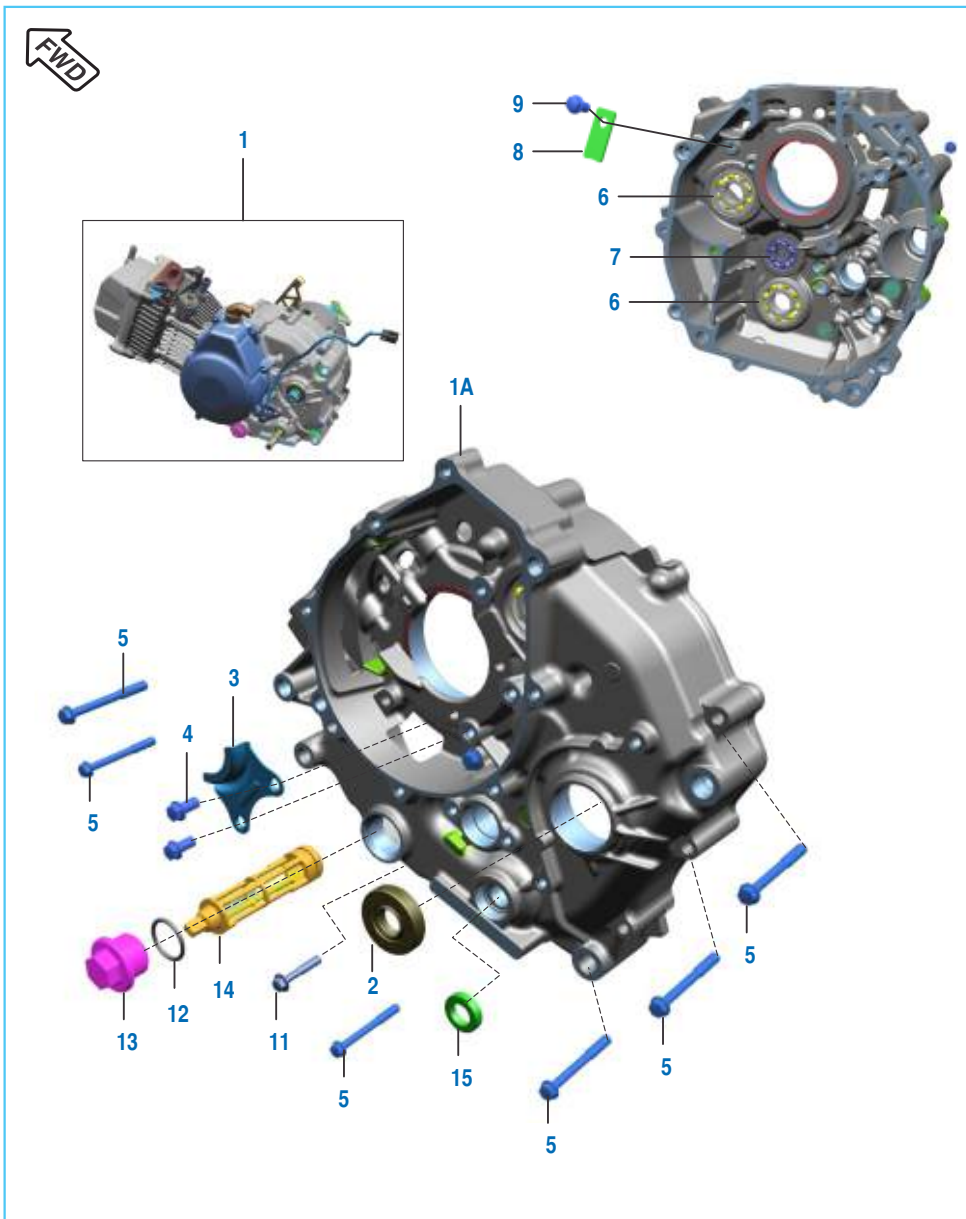
No.	Part No.	Description	Qty.	Remarks
1	JZ351804	Sensor Indicator Gear	1	Disc/Drum LED
	PF351804	Sensor Indicator Gear	1	Drum
2	JD561006	Shaft Gear Fork Shift	2	
3	PF561018	Fork Gear Shift Input	1	
4	PF561019	Fork Gear Shift Output	2	
5	DH101389	Bolt Socket	1	
6	PD561012	Guide Gear Shift	1	
7	PF561029	Drum Gear Shift	1	
8	KJAA2024	O Ring	1	
9	LAE00099	Bolt Flanged M6x1	1	
10	EC561023	Spring	1	

Gear Change Mechanism



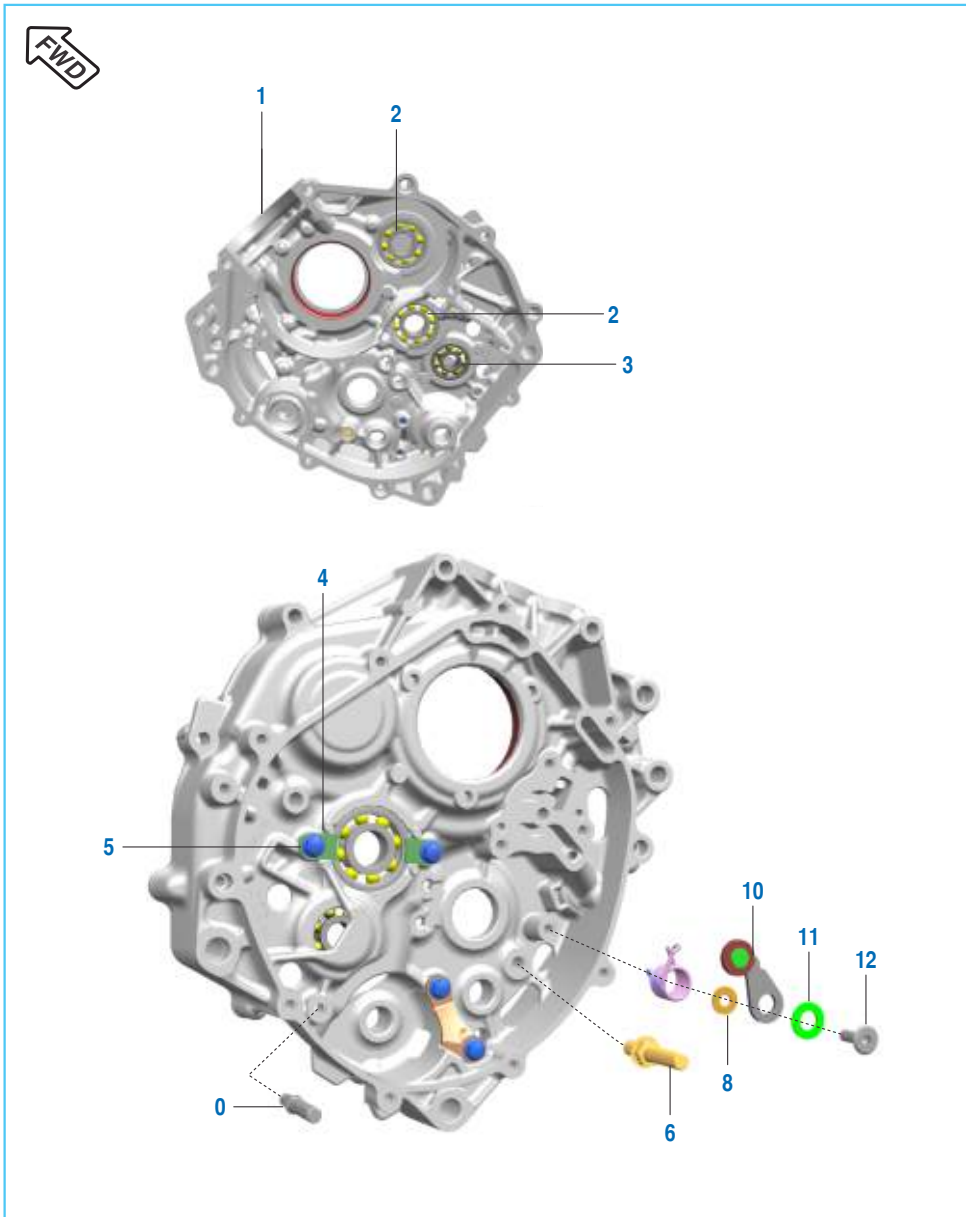
No.	Part No.	Description	Qty.	Remarks
1	PF561215	Assembly Lever Gear Shift	1	
2	PD561233	Spring Pawl	1	
3	PD561236	Bush	1	
4	GL561049	Spring Torsion	1	
5	LDB00071	Washer Plain-id	1	
6	JH561410	Lever Assembly Change	1	
7	DT561205	Damper	1	
8	KADD0622	Bolt Flanged M6x1	1	

Engine Assembly / Crankcase LH



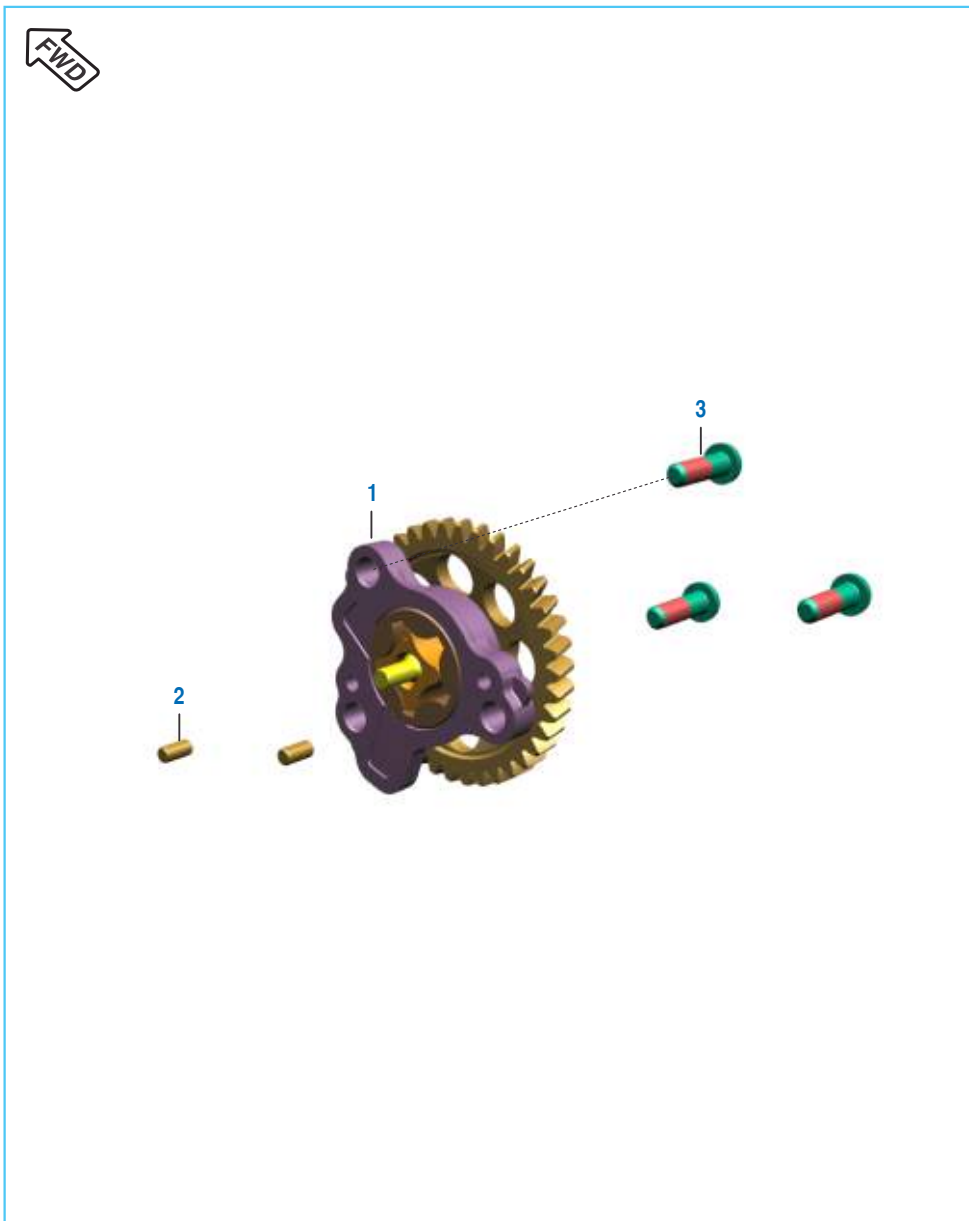
No.	Part No.	Description	Qty.	Remarks
1	PF501232	Engine Assembly	1	Disc/Drum LED
	PF501270	Engine Assembly	1	Drum
1A	52PF3274	Crankcase Assembly Lh	1	
2	39171519	Oil Seal	1	
3	JZ541250	Guard Chain	1	
4	AA101437	Bolt Flanged M6x1	2	
5	LAE00024	Bolt Flanged	7	
6	KPBF6203	Bearing-ball-c3 Clearance-hn3	2	
7	39198820	Bearing Ball Id12xod28xt8xc3	1	
8	JZ541073	Stopper Bearing Balancer	1	
9	AA101437	Bolt Flanged M6x1	1	
10	KJAA2024	O Ring	1	
11	JV541007	Bolt Flanged-m6x1	2	
12	LJA00004	Strainer O Ring	1	
13	JA541021	Cap Strainer	1	
14	JG571024	Mesh Strainer Assly	1	
15	39104319	Seal - Oil	1	

Crankcase RH



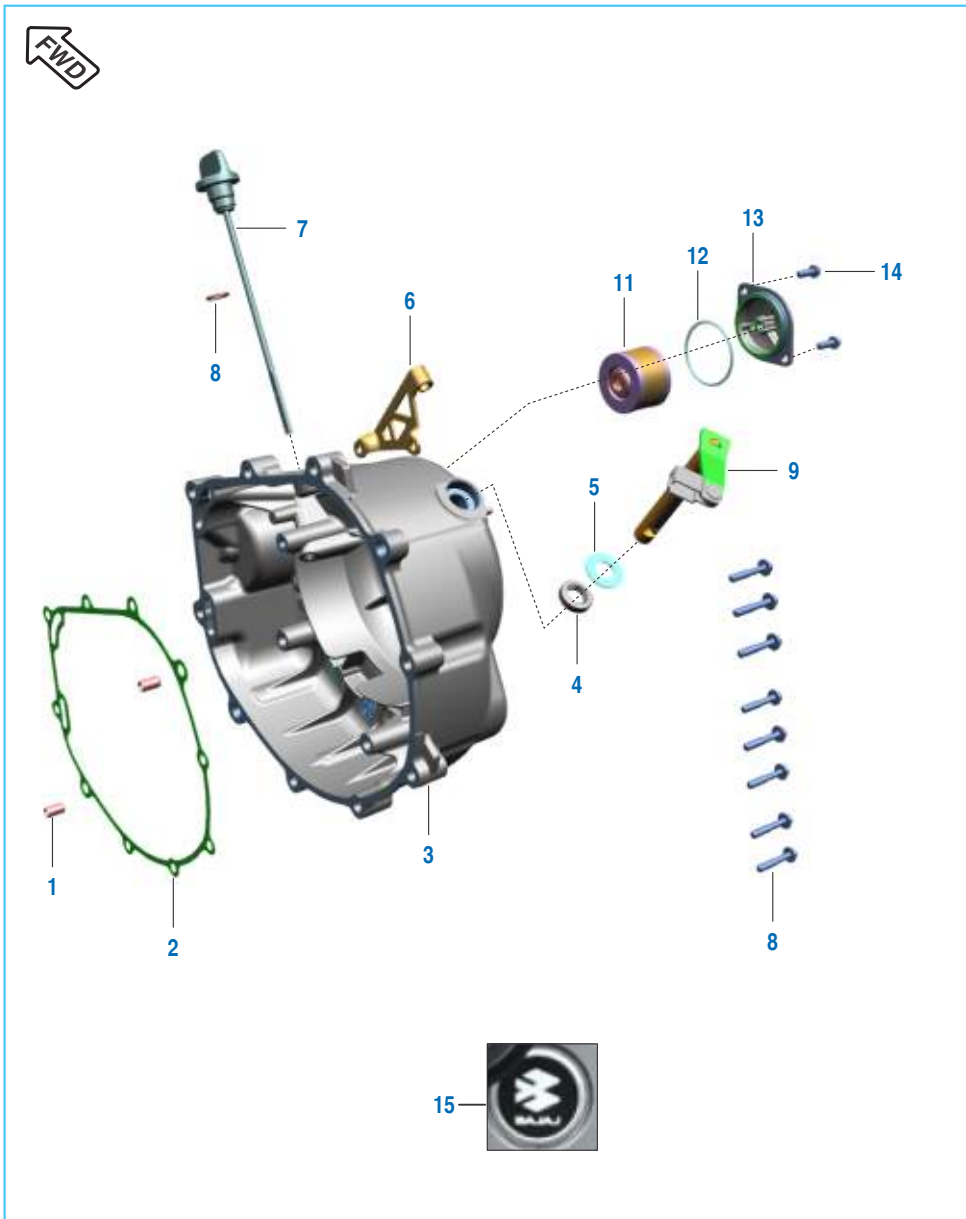
No.	Part No.	Description	Qty.	Remarks
1	52PF3275	Assly crankcase RH	1	
2	KPBF6203	Bearing-ball-c3 Clearance-hn3	2	
3	KPBF6201	Bearing Ball C3 Clearances	1	
4	JG541059	Plate Stopper Bearing Drum	2	
5	AA101437	Bolt Flanged M6x1	2	
6	LAD00176	Bolt Shift Change M8x1.25	1	
7	JZ561211	Spring Torsion	1	
8	LDB00050	Washer Plain	1	
9	PD561238	Stopper Drum	1	
10	PD561237	Inhibitor Gearshift	1	
11	LDA00026	Washer Plain	1	
12	LAC00084	Bolt Socket	1	

Oil Pump



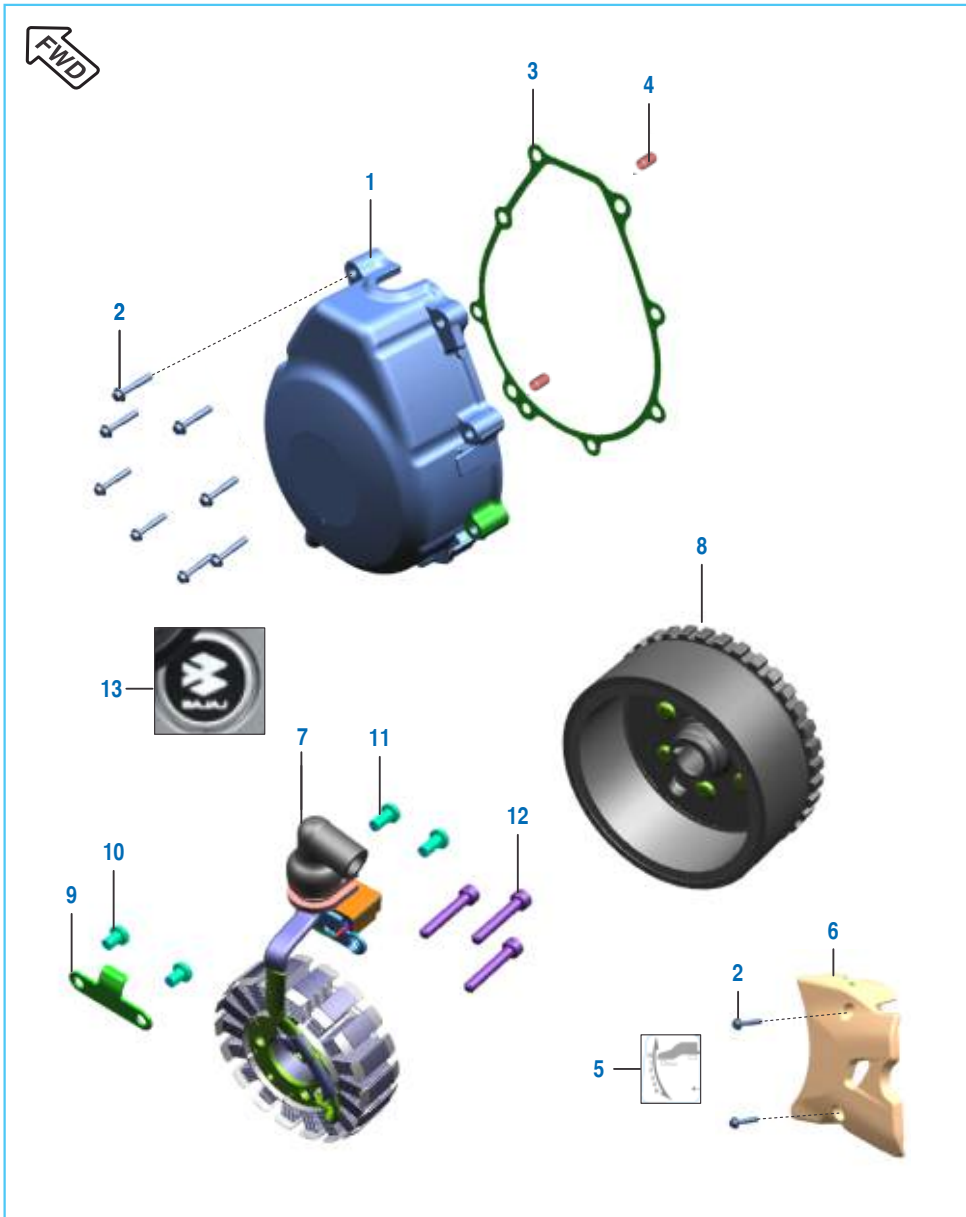
No.	Part No.	Description	Qty.	Remarks
1	PF571002	Pump Oil	1	
2	KHDA0408	Pin Dowel	2	
3	LBB00009	Screw Pan Cross	3	

Cover Clutch



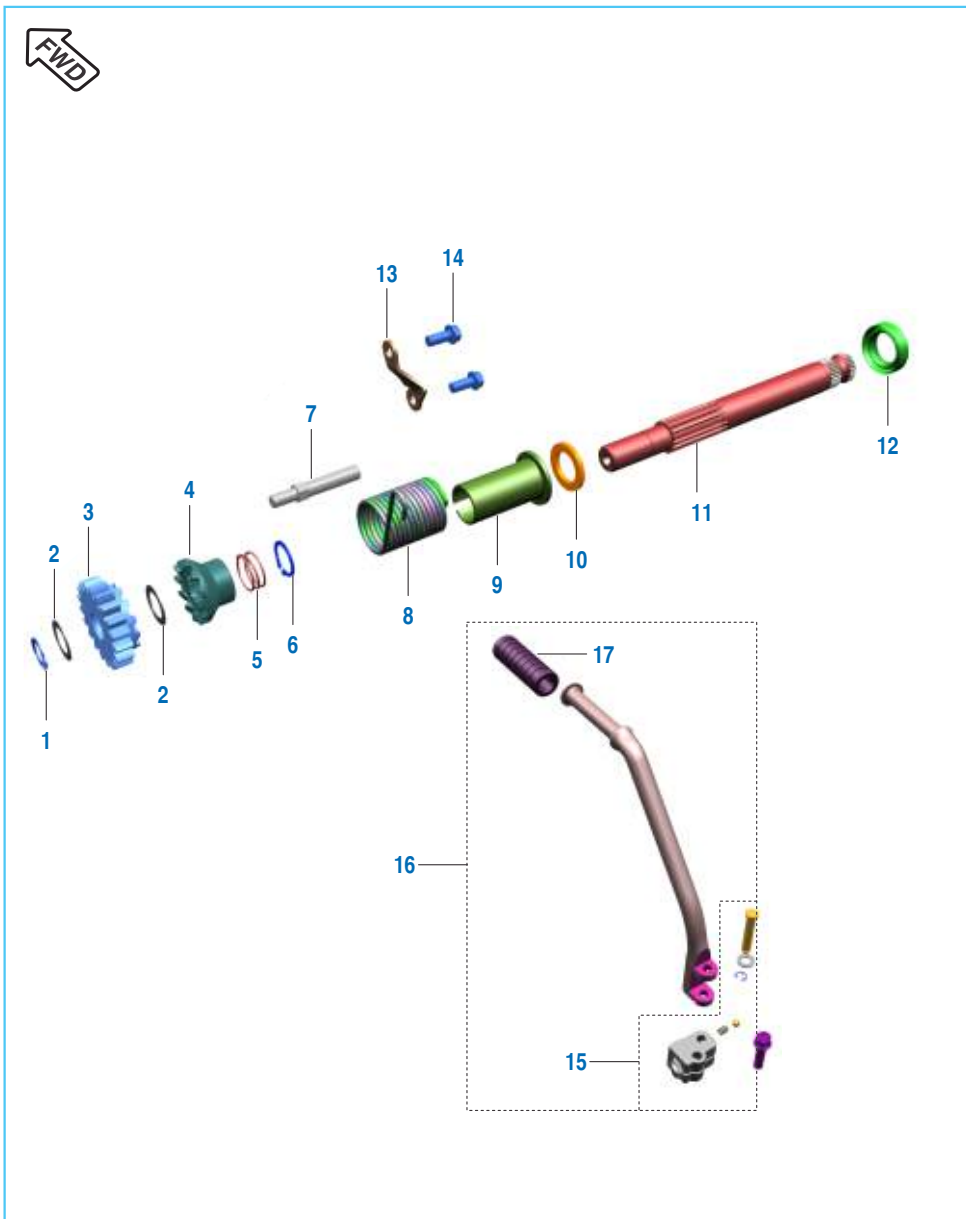
No.	Part No.	Description	Qty.	Remarks
1	39099906	Pin Dowel-oil Pump	2	
2	PF541368	Gasket Cover Clutch	1	
3	--	Cover Clutch	1	
4	39104119	Seal Oil	1	
5	JE541213	Washer Plain	1	
6	PF541365	Bracket Cable Clutch	1	
7	PF541185	Dipstick	1	
8	KJAA1424	O Ring	1	
9	PF541396	Shaft Assembly Clutch	1	
10	JV541007	Bolt Flanged	10	
11	JZ571014	Element Filter Oil	1	
12	LJB00007	Ring O	1	
13	56JH1X67	Cap Filter Oil	1	
14	LAE00099	Bolt Flanged	2	
15	JH233330	Decal	1	

Cover Magneto & Mangeto Assembly



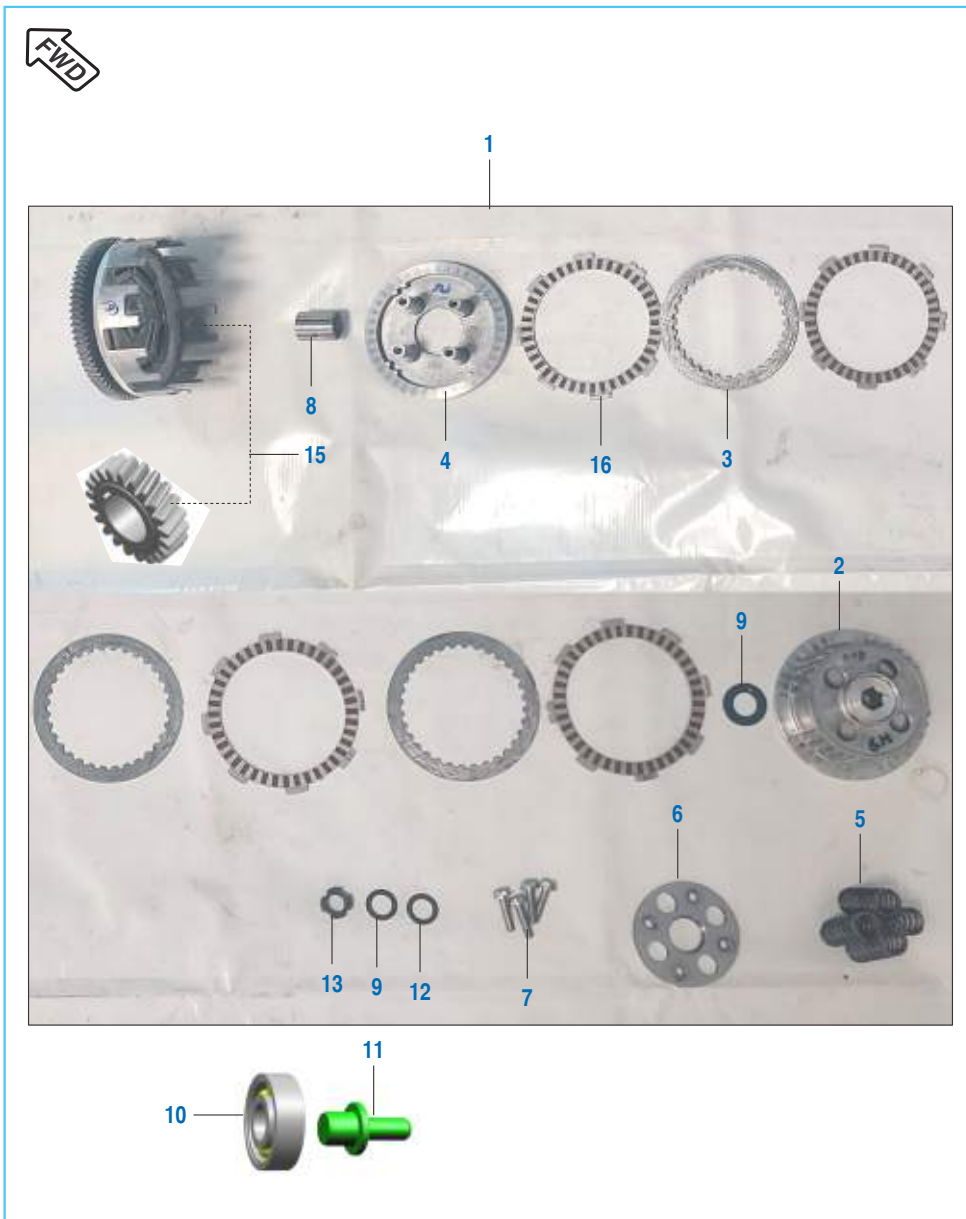
No.	Part No.	Description	Qty.	Remarks
1	52PF3212	Cover Assembly Magneto	1	
2	JV541007	Bolt Flanged M6x1	10	
3	PF541367	Gasket Cover Magneto	1	
4	39099906	Pin Dowel-oil Pump	2	
5	PF541310	Gear Shifting Lable	1	
6	PF541364	Cover Rear Lh	1	
7	PF351120	Stator Assembly	1	
8	PF351119	Rotor Assembly	1	
9	PF541366	Bracket Harness	1	
10	KBBC0608	Screw Pan Cross	2	
11	JG131220	Screw Pan Cross	2	
12	LAC00048	Bolt Socket	3	
13	PF541249	Decal	1	

Kick Starter Mechanism



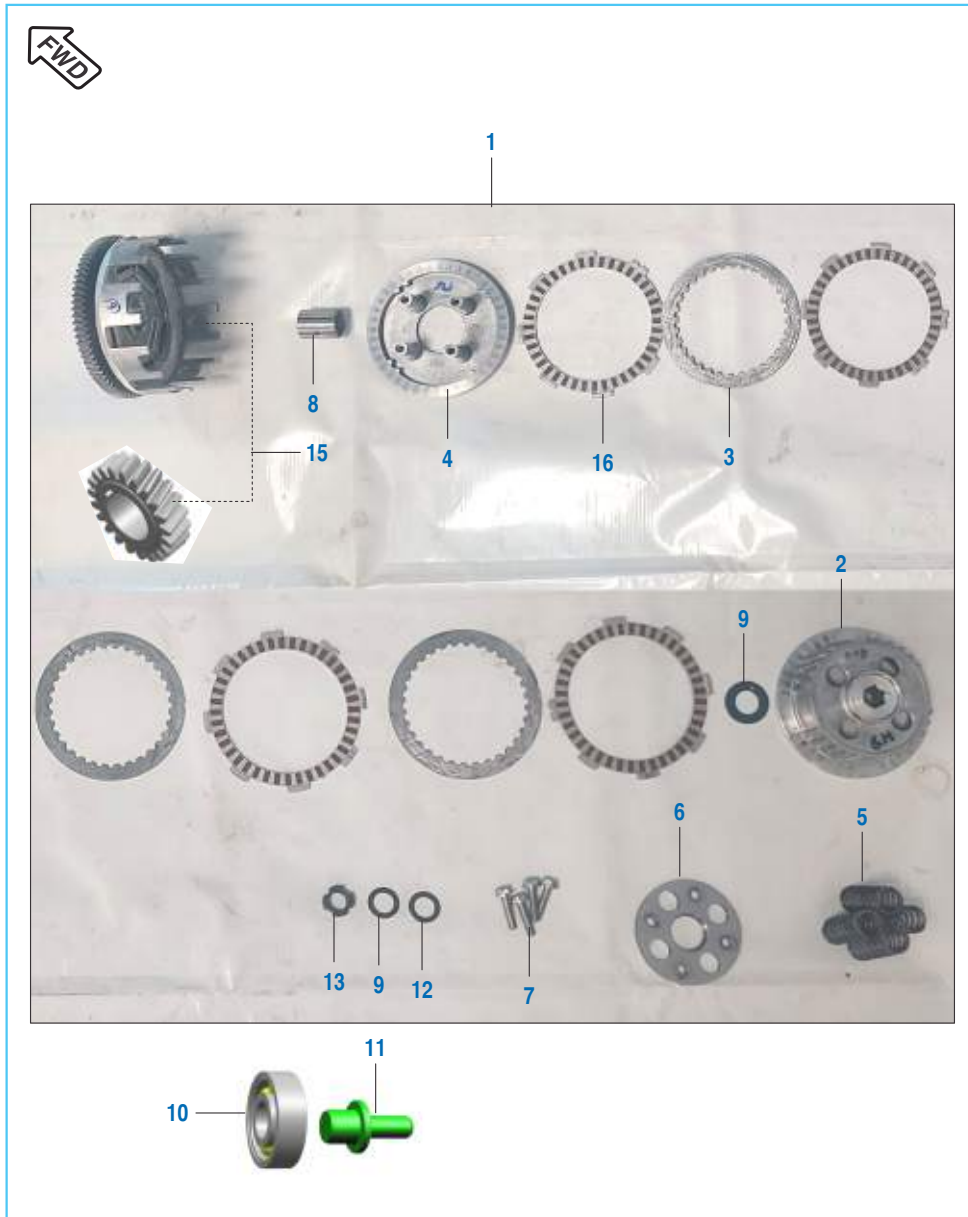
No.	Part No.	Description	Qty.	Remarks
1	KEAB1210	Circlip External	1	
2	39099311	Plain Washer	2	
3	PF621008	Gear Pinion Kick	1	
4	JA621002	Ratchet	1	
5	DS101117	Spring Kick Starter Ratchet	1	
6	KEAB1610	Circlip External	1	
7	JE541028	Pin	1	
8	JE621003	Spring	1	
9	JE621004	Sleeve	1	
10	LDA00036	Washer Plain-id	1	
11	PA621007	Shaft Kick	1	
12	30101142	Seal Oil	1	
13	PF541157	Guide Ratchet	1	
14	LAE00015	Bolt Flanged	2	
15	36DY0039	Kit Kick Boss Set	1	
16	PF621205	Lever Assembly Kick	1	
17	DD101097	Damper	1	

Clutch Assembly - Endurance



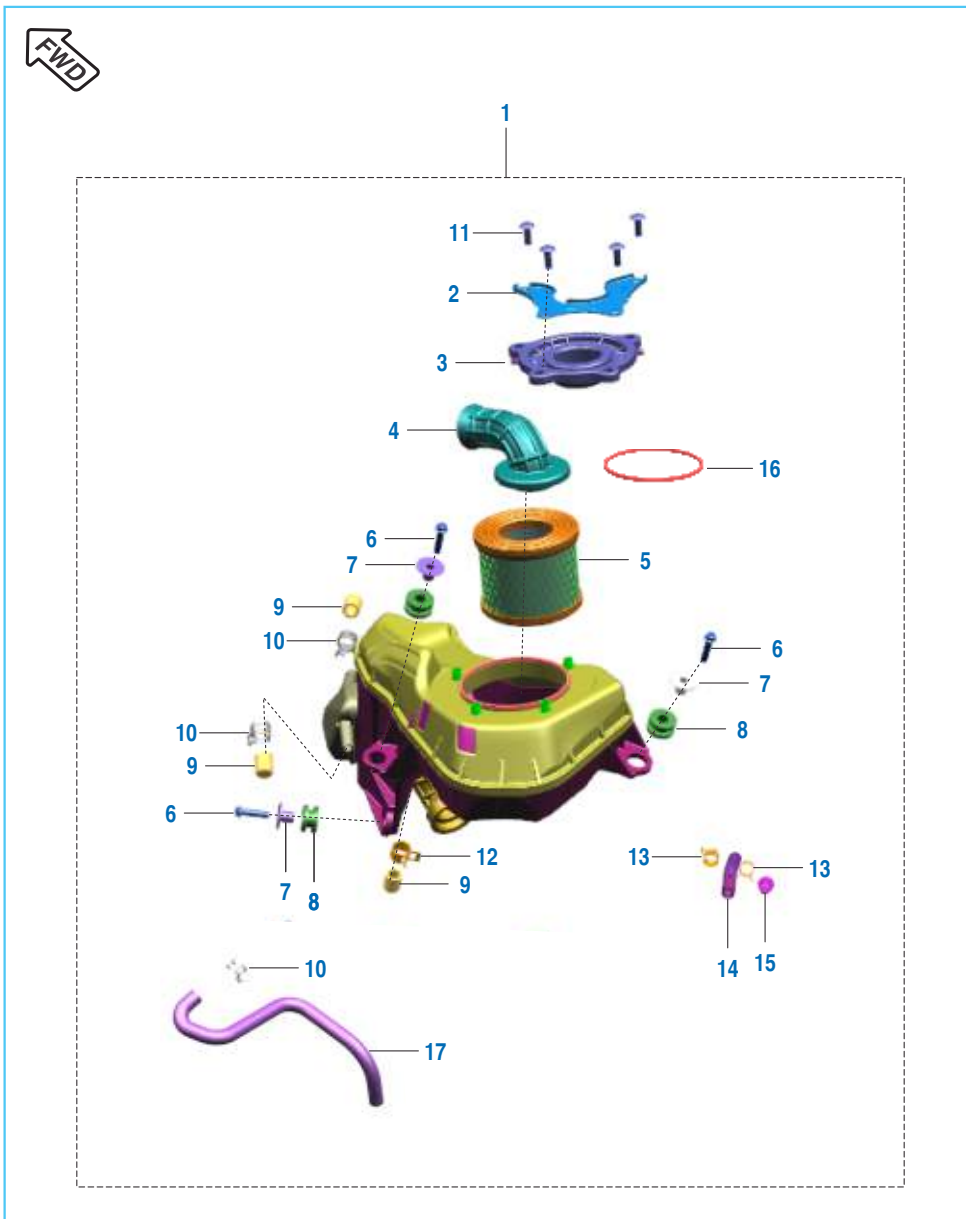
No.	Part No.	Description	Qty.	Remarks
1	PF551460	Clutch Assembly	1	
2	PF551433	Hub Clutch	1	
3	PF551435	Plate Clutch	3	
4	PF551436	Wheel Clutch	1	
5	PF551437	Spring Clutch	4	
6	PF551438	Holder Clutch	1	
7	KADD0625	Bolt	4	
8	PF551458	Collar	1	
9	JG551428	Washer	1	
10	39100120	Bearing Ball	1	
11	PF551407	Rod Push	1	
12	JE551409	Washer Belleville	1	
13	JA531007	Nut Hex	1	
15	36JH0090	Kit Primary Drive & CI Housing	1	
16		Kit Friction Plate	1	

Clutch Assembly - Makino



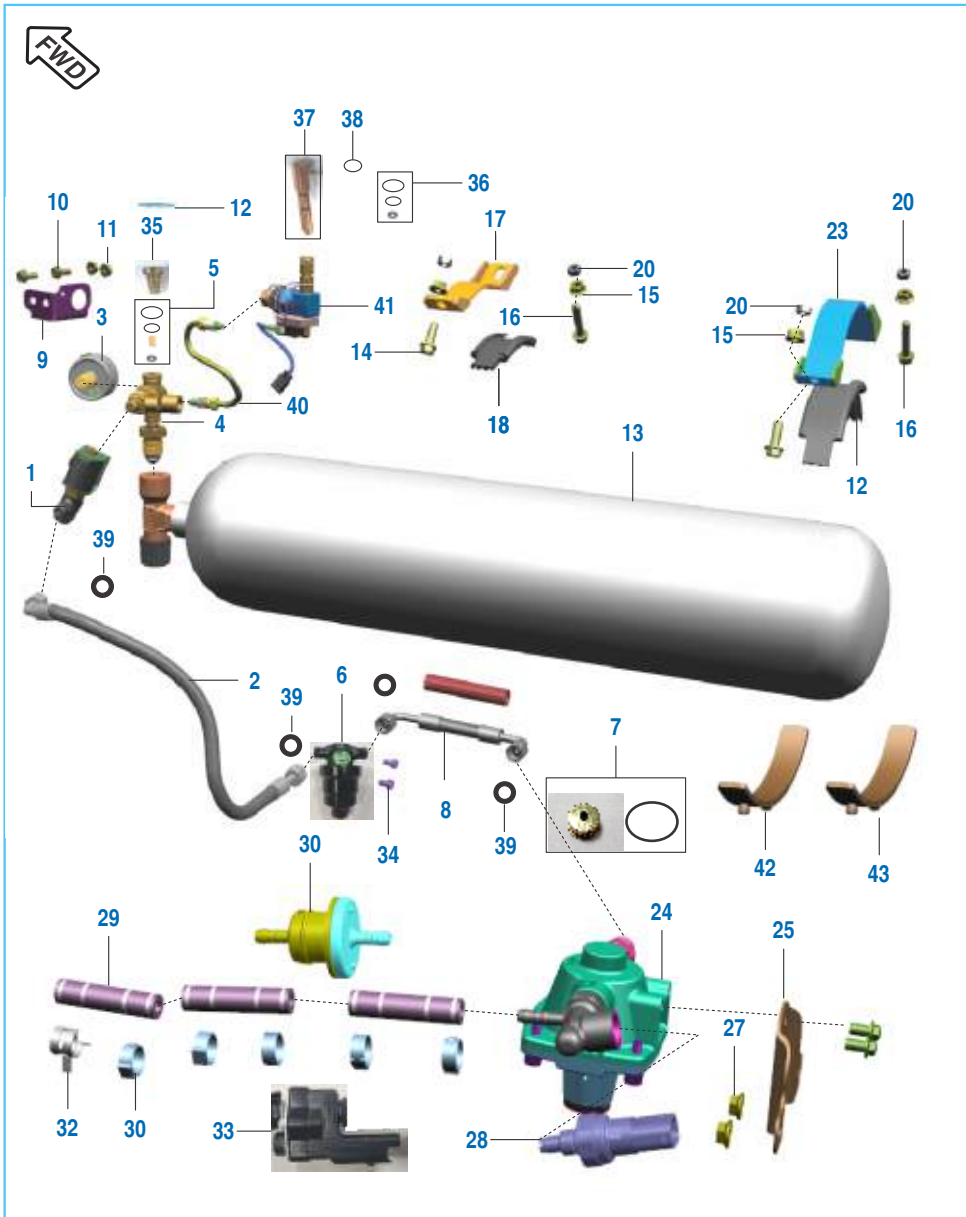
No.	Part No.	Description	Qty.	Remarks
1	PF551468	Clutch Assembly	1	

Air Cleaner Assembly



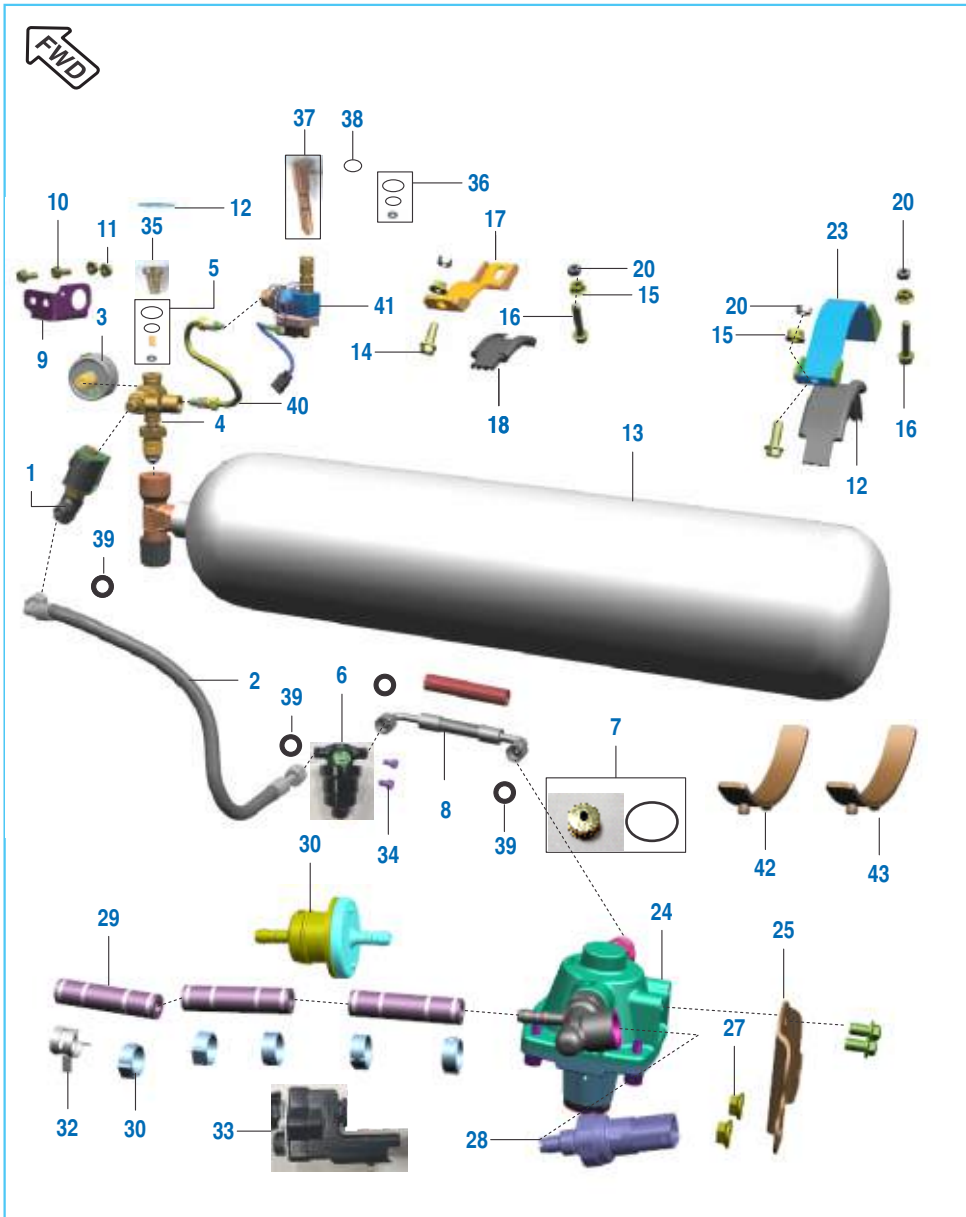
No.	Part No.	Description	Qty.	Remarks
1	PF582973	Filter Assembly Air	1	
2	PF582974	Bracket Cover Filter Air	1	
3	PF582976	Cap Cover Top	1	
4	PF582960	Duct Intake	1	
5	PF582962	Element Filter Air	1	
6	KAED0625	Bolt Flanged M6x1	3	
7	PF582989	Collar	3	
8	PF582988	Grommet	3	
9	JP581018	Tube Drain	3	
10	BF131887	Clamp	3	
11	KBUA0616	Screw Truss M6x1	4	
12	JL581066	Clamp Sai Pipe	1	
13	DG121002	Clamp (hose C'case Breather)	2	
14	PF582987	Pipe Drain	1	
15	DS121126	Plug	1	
16	TA581013	Seal Top Cap Cover	1	
17	PF582961	Pipe Breather	1	

CNG System



No.	Part No.	Description	Qty.	Remarks
1	JH172011	Solenoid CNG	1	
2	JH172007	Hose Solenoid-filter	1	
3	BF611009	Gauge CNG	1	
4	JH172003	Regulator High Pressure CNG	1	
5	36JH0094	Kit HPR Filter	1	
6	AT172140	Solenoid Filter Assembly	1	
7	36JH0096	Kit Solenoid Filter	1	
8	JH172008	Hose Filter-LPR	1	
9	JH113855	Bracket Filler Valve	1	
10	KADD0616	Bolt Flanged M6x1	2	
11	KCGD0606	Nut Hex Flanged	2	
12	JH113852	Bracket Cylinder Rear Upper	1	
13	52JH1165	Cylinder CNG	1	
14	KADD0825	Bolt Flanged M8x1.25	2	
15	KCGD0808	Nut Hex Flanged	4	
16	KADD0840	Bolt Flanged M8x1.25	2	
17	JH113851	Bracket Cylinder Middle Upper	1	
18	JH113864	Packing	1	
19	JH113865	Packing	1	
20	KCAD0806	Nut Hex M8x1.25	4	
21	AF121023	Valve Filling O Ring Dust Cap	2	
22	JH172015	Micro Switch	1	
23	JH172015	Screw micro switch	1	
24	PF172006	Assembly LPR rail Gas	1	

CNG System



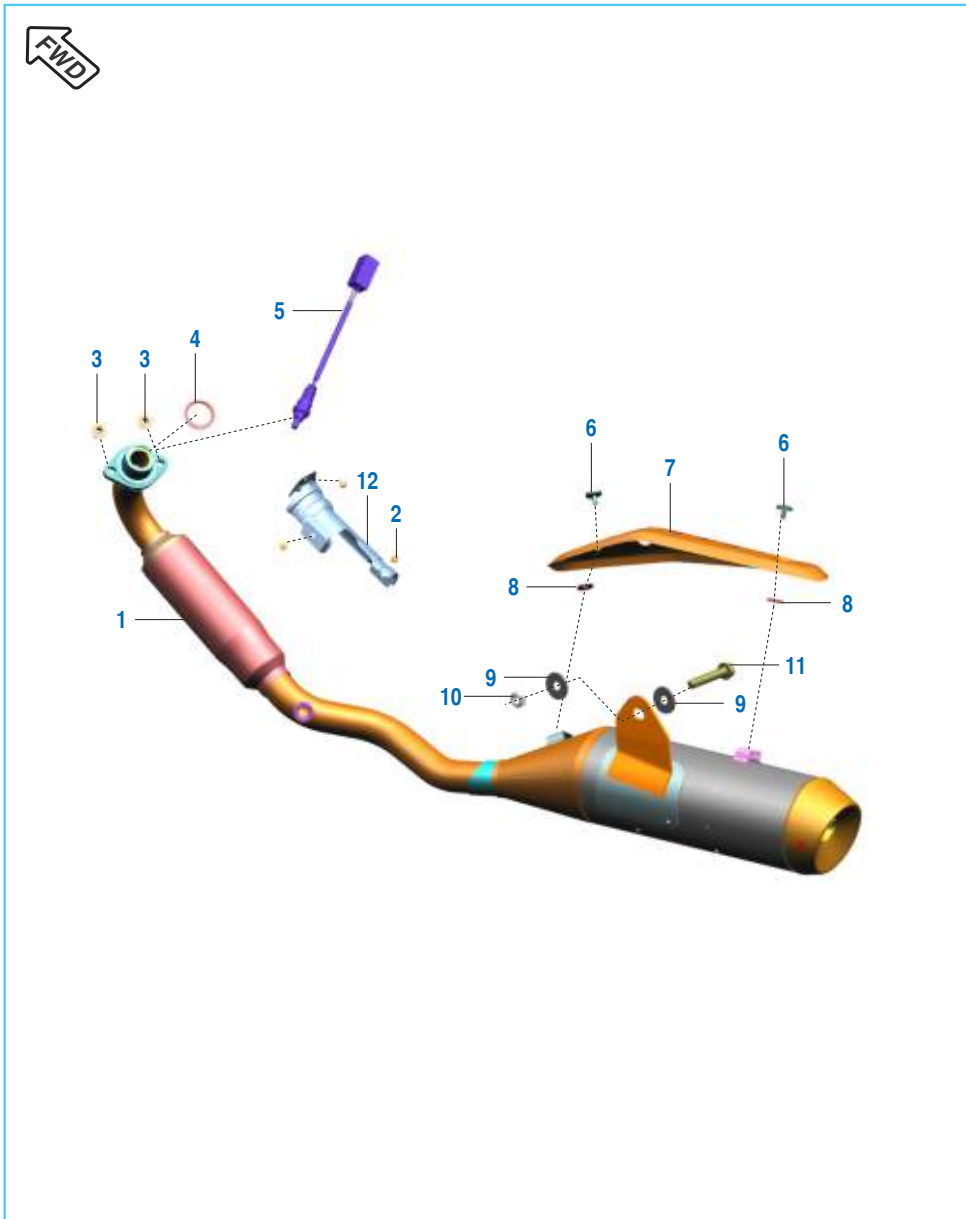
No.	Part No.	Description	Qty.	Remarks
25	JH111441	Bracket LPR	1	
26	KAEF0610	Bolt Flanged M6x1	2	
27	KCGF0606	Nut Hex Flanged	2	
28	BF351811	Sensor Pressure-temperature	1	
29	PF172004	Hose Filter-injector	3	
30	PF172003	Filter	1	
31	PF172007	Clamp Ear- Otiker	5	
32	AP121074	Clip Hose	1	
33	AF121568	CNG Injector	1	
34	KACA0610	Bolt Socket M6x1	1	
35		Retainer Cap (Allen Bolt) HPR	1	
36	36JH0095	Kit HPR filter O Ring	1	
37		Dust Cap	1	
38	AF121023	O Ring Dust Cap	1	
39	AF121012	Washer Nylon	4	
40	JH172006	Pipe Assembly Hpr-filling Unit	1	
41	JH172004	Valve Assembly Filling	1	
42	JH113866	Packing	1	
43	JH113867	Packing	1	

Fuel Tank Assembly



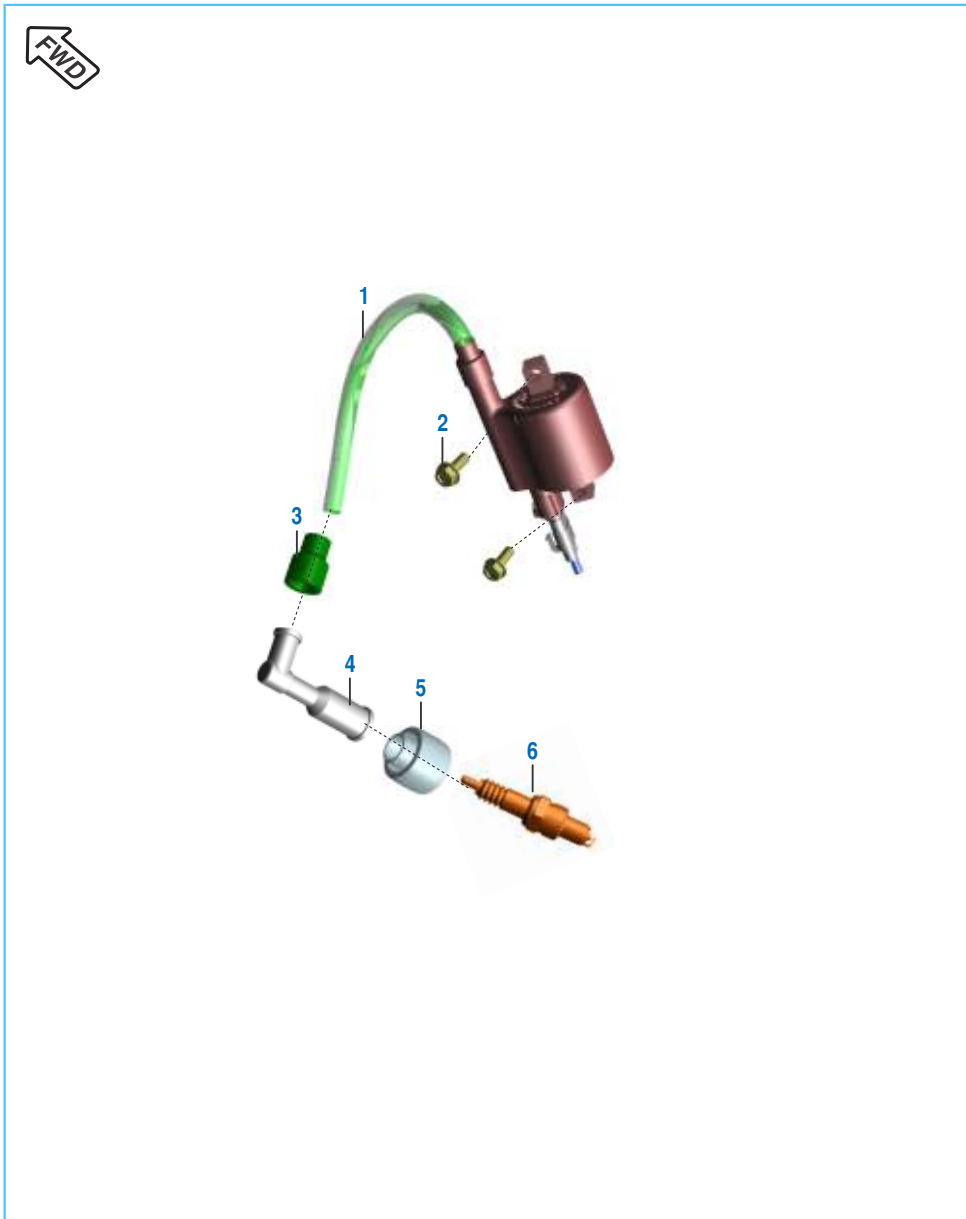
No.	Part No.	Description	Qty.	Remarks
1	JH171142	Tank Fuel	1	
2	JH111396	Bracket Cover Cap Tank Inner	1	
3	LDA00035	Washer Plain	2	
4	LBU00095	Screw Button Head Step M6x1	2	
5	JH171812	Pipe Fuel	1	
6	JH171810	Pump Fuel	1	
7	JH403603	Sensor Level Fuel	1	
8	KACA0512	Bolt Socket M5x0.8	3	
9	KACA0508	Bolt Socket M5x0.8	6	
10	JH171811	Plate Pressure	1	
11	JH171803	Gasket Fuel Pump Mtg	1	
12	JH403605	Gasket Sensor Level Fuel	1	
13	JH171613	Cap Fuel Tank	1	

Silencer Assembly



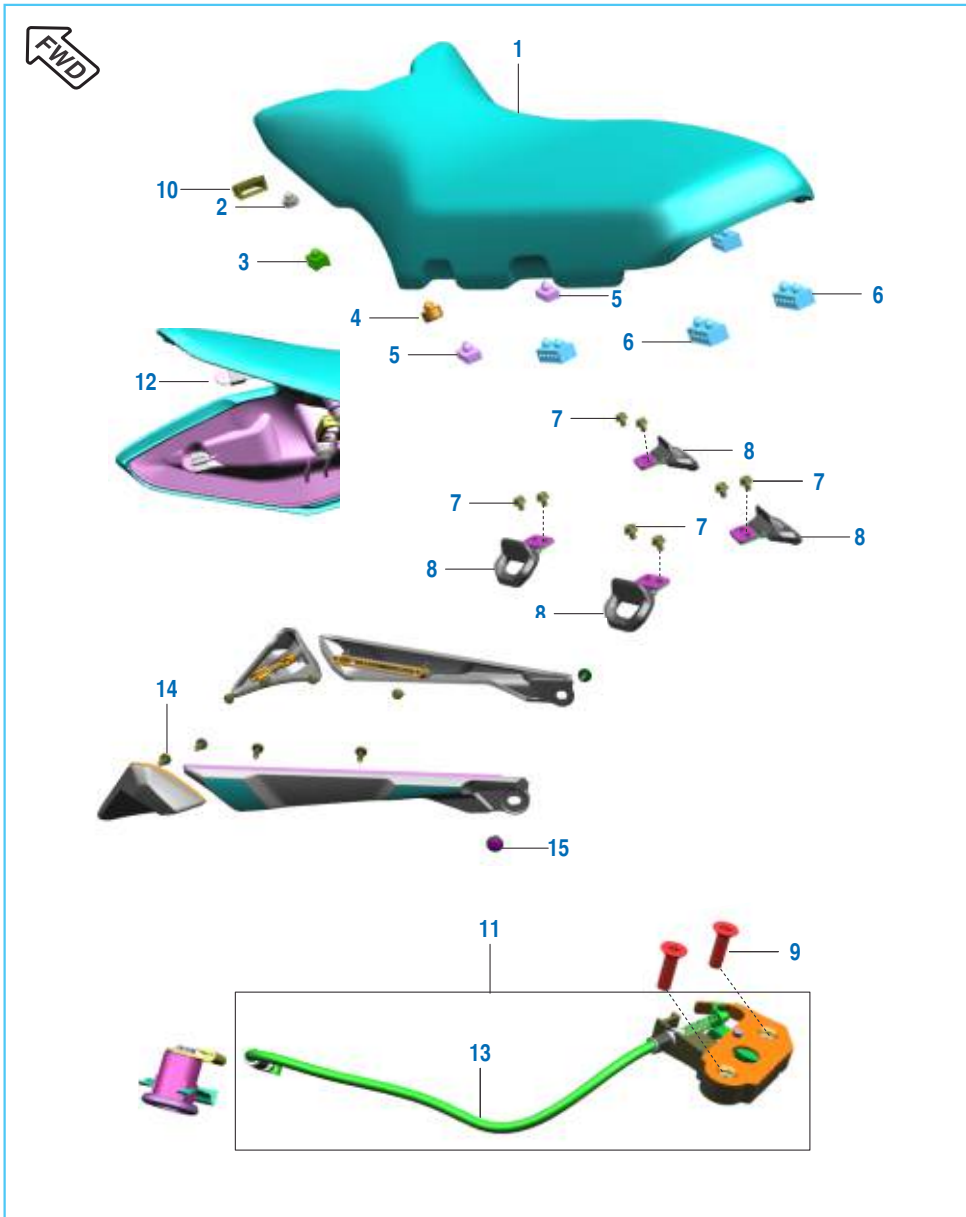
No.	Part No.	Description	Qty.	Remarks
1	PF591720	Silencer Assembly	1	
2	LBU00045	Screw	3	
3	39229515	Nut Flanged- Ex.tube-cyl Head	2	
4	PF591750	Gasket Exhaust	1	
5	AA102650	Sensor Oxygen	1	
6	JW591028	Truss Screw M5x0.8	2	
7	PF591760	Shield Muffler	1	
8	JB591068	Washer Nylon Shield Silencer	2	
9	39242511	Plain Washer	2	
10	DD161071	Nut U M10x1.25	1	
11	KADD1055	Bolt Flanged M10x1.25	1	
12	PF591731	Shield Catalyst	1	

H.T. Coil



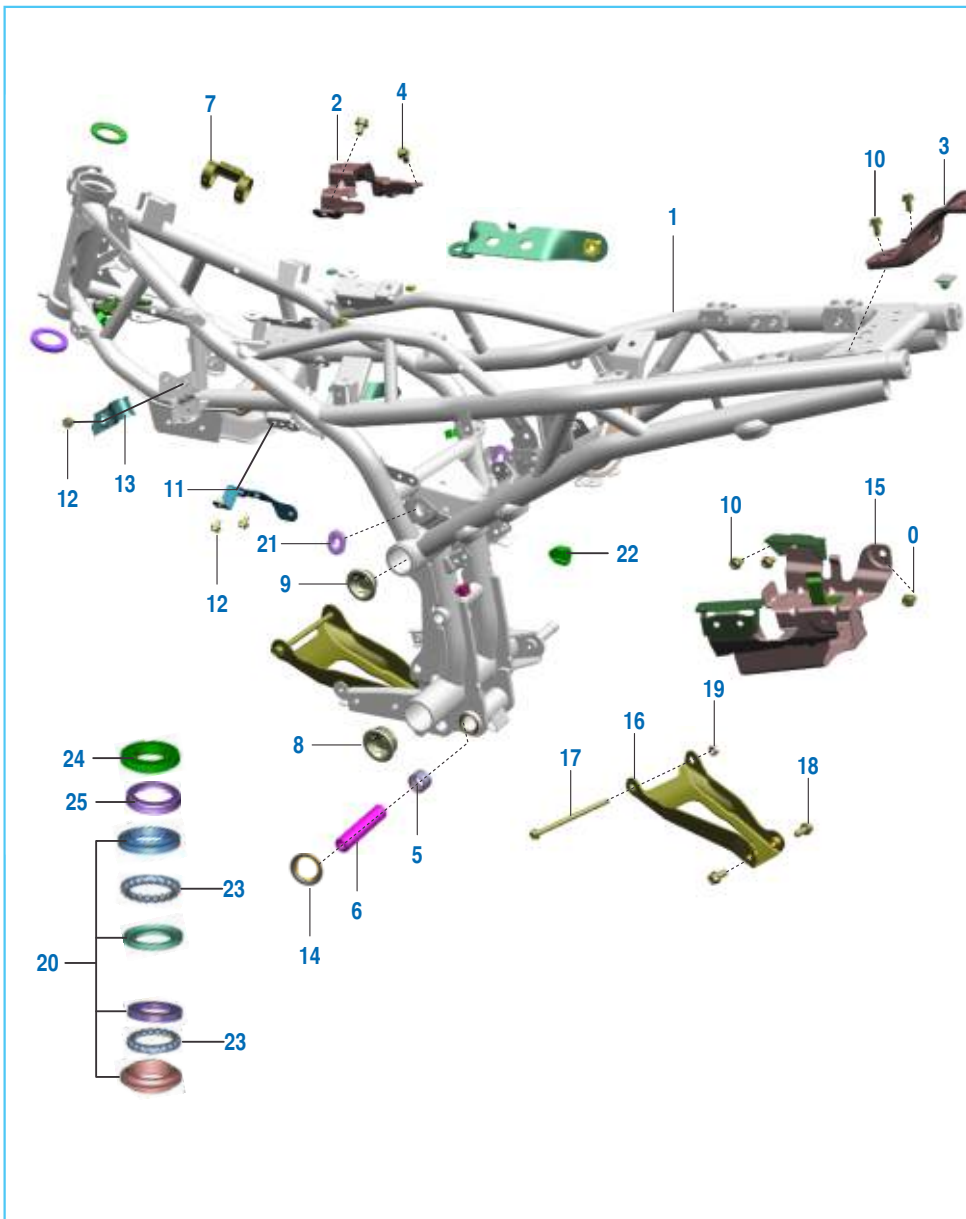
No.	Part No.	Description	Qty.	Remarks
1	PF351269	Coil Assembly Ignition	1	
2	KADA0618	Bolt Flanged	2	
3	DD111012	Grommet H.T. Cable	1	
4	DH111015	Cap Spark Plug	1	
5	DH111013	Grommet Spark Plug (design)	1	
6	DD111018	Spark Plug	1	Alternate
	CF111019	Spark Plug Bosch	1	

Seat Assembly / Seat Lock



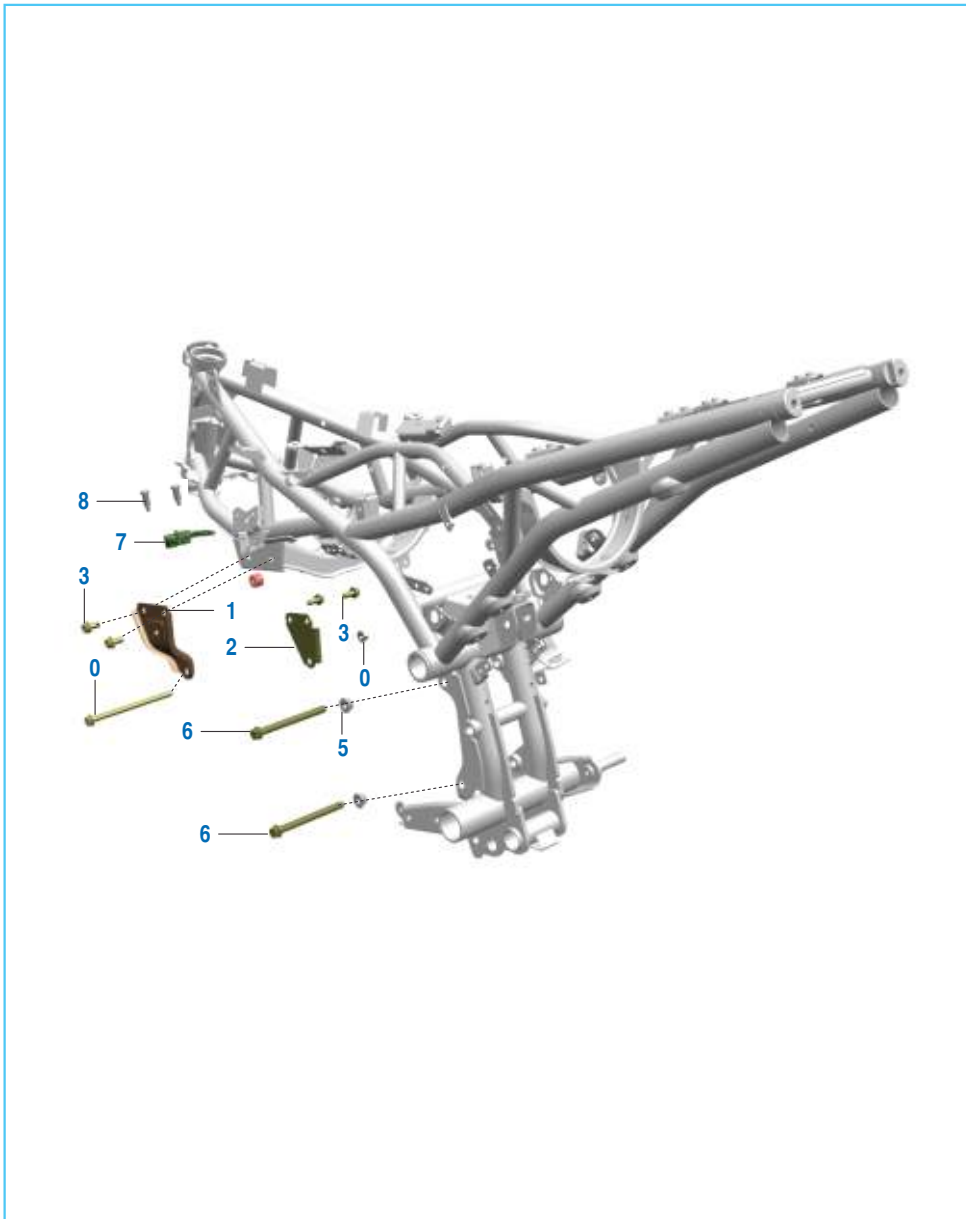
No.	Part No.	Description	Qty.	Remarks
1	JH191028	Seat Assembly	1	
2	JD191006	Damper Round	2	
3	JF191018	Damper	2	
4	JH191036	Damper	2	
5	JZ191011	Damper Seat Rear	2	
6	JZ191032	Damper Seat I (design)	4	
7	KADF0608	Bolt Flanged M6x1	8	
8	JH113873	Hook	4	
9	KBCA0620	Screw Csk Cross M6x1	2	
10	JP191057	Damper Seat	1	
11	JH232620	Latch Assembly Seat	1	
12	JZ191043	Damper	2	
13	JR232608	Cable	1	
14	KBRC4813	Screw	8	
15	BF185019	Clip Revet	2	

Frame and Frame Fittings



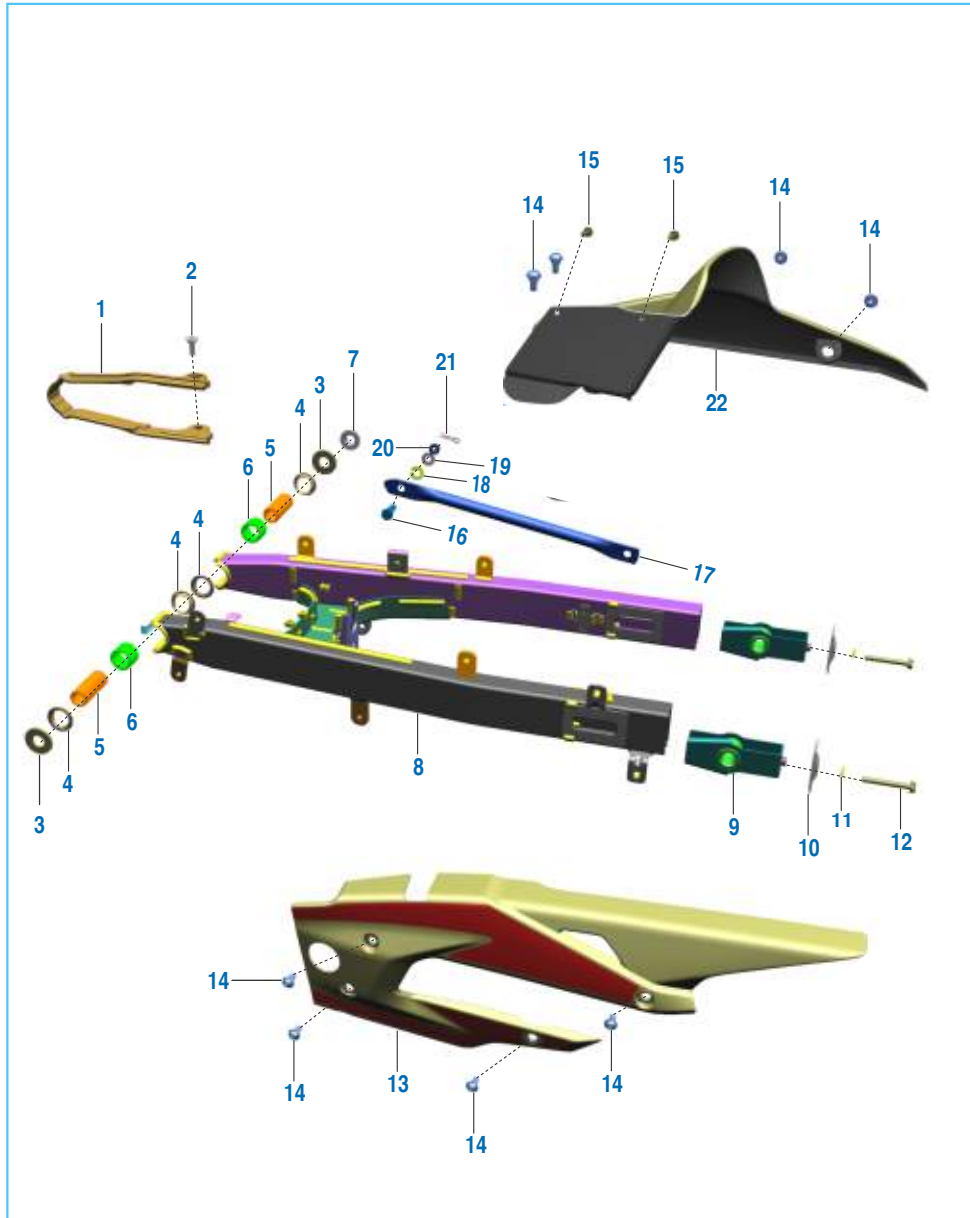
No.	Part No.	Description	Qty.	Remarks
1	56JHBF7B	Frame Assembly - Black Colour	1	Disc/Drum LED Drum
	56JHBFV1	Frame Assembly - Sonic Silver Colour	1	
2	JH113861	Bracket Seat	1	
3	JH113863	Bracket Lamp Tail	1	
4	KADD0812	Bolt Flanged M8x1.25	2	
5	JE621403	Needle Roller Bearing	2	
6	JZ122144	Sleeve	1	
7	JH171144	Damper	1	
8	JH111453	Plug	1	
9	JH111452	Plug	1	
10	KADD0612	Bolt Flanged M6x1	5	
11	JH113874	Bracket Cover Lh	1	
12	KADD0610	Bolt Flanged M6x1	3	
13	JH113879	Clamp	1	
14	JH122009	Seal Dust	2	
15	JH113439	Bracket Battery	1	
16	JH113880	Bracket Stiffener	1	
17	KADD08D5	Bolt Flanged M8x1.25	1	
18	KADD1020	Bolt Flanged M10x1.25	2	
19	LCG00045	Nut Hex Flanged M8x1.25	1	
20	36DK0159	Kit St. Cone With Grease	1	
21	JZ171124	Grommet	2	
22	JR181768	Cap	2	
23	KMAA0800	Ball Steel	39	
24	DK181075	Nut Steering	1	
25	DK181076	Cup Steering	1	
26	JF111052	Bolt Flanged M8x1.25	2	Drum
27	JH231264	Bracket Guard Leg Lh	1	Drum
28	JH231265	Bracket Guard Leg Rh	1	Drum
29	LCG00045	Nut Hex Flanged M8x1.25	2	Drum
30	JH113875	Bracket Cover RH	1	

Engine Mountings



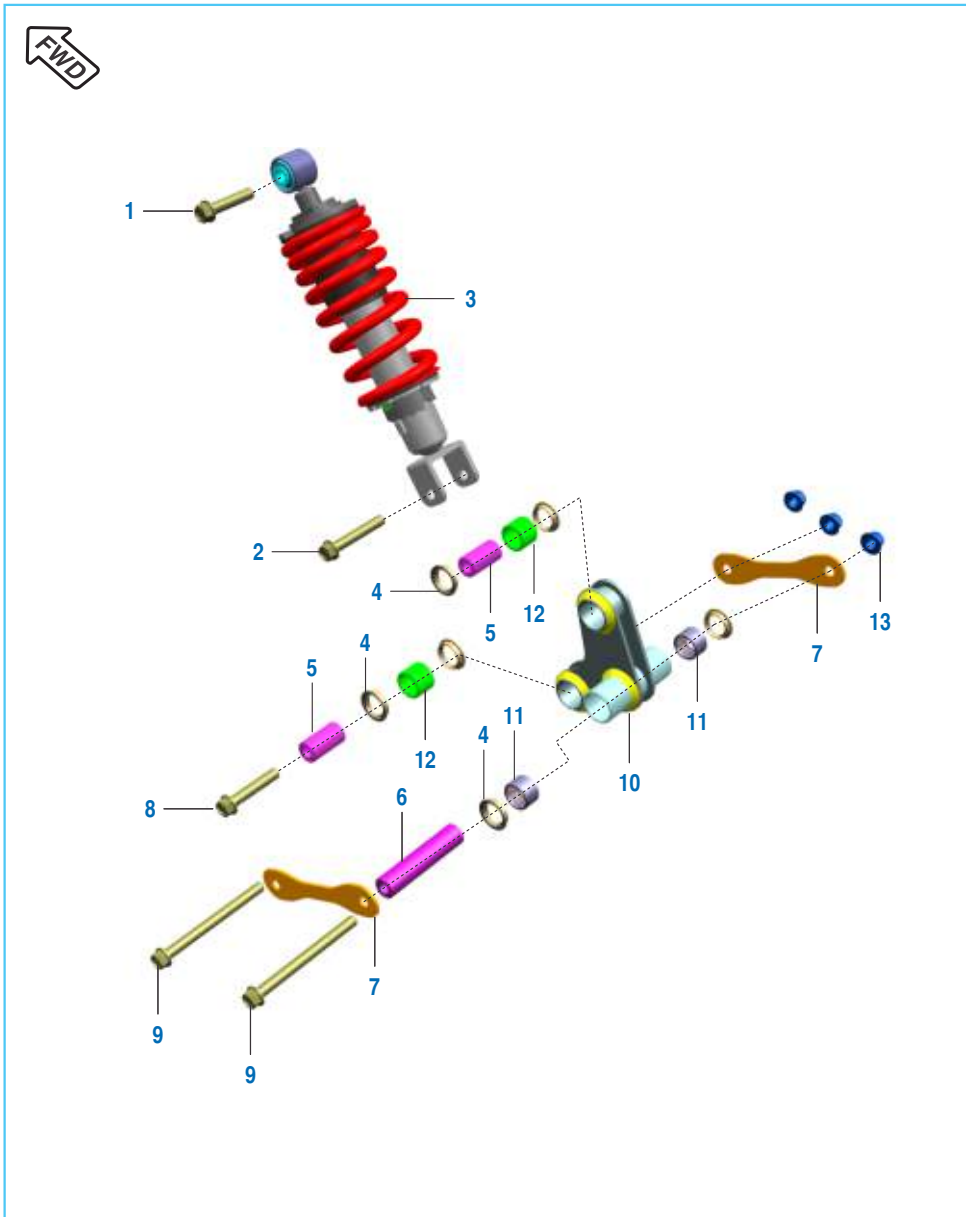
No.	Part No.	Description	Qty.	Remarks
1	JH113442	Bracket Engine Front Lh	1	
2	JH113441	Bracket Engine Front Rh	1	
3	KADD0818	Bolt Flanged M8x1.25	4	
4	LCG00045	Nut Hex Flanged M8x1.25	1	
5	LCL00001	Nut Hex Flange-m10	2	
6	JF113412	Bolt Engine Monting Rear M10	2	
7	JH113853	Stopper Cylinder Cng	1	
8	LBU00205	Screw Button Head Step M6x1	2	

Swing Arm / Chain Cover



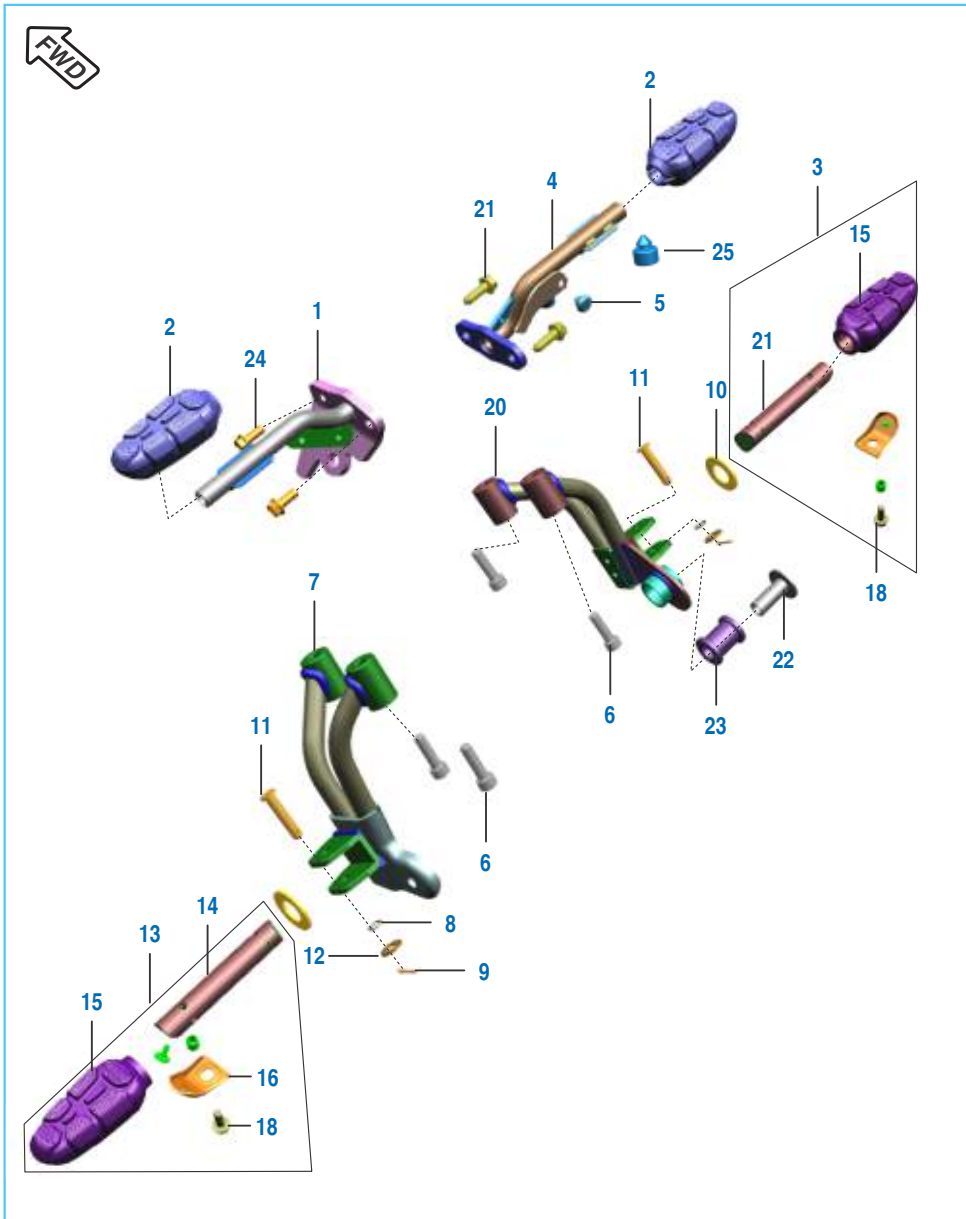
No.	Part No.	Description	Qty.	Remarks
1	JH122074	Slider Chain	1	
2	LBU00168	Screw Socket Step	1	
3	LDB00141	Washer Plain	2	
4	JH122009	Seal Dust	4	
5	JR122006	Sleeve	2	
6	JH122013	Bearing Needle	2	
7	LCG00019	Nut Hex Flange	1	
8	JH122098	Arm Assembly Swing	1	
9	JR122133	Adjuster Chain	2	
10	JZ122012	Plate Adjuster Chain	2	
11	KDDB0612	Washer Spring Thin	2	
12	LAD00309	Bolt Flanged	2	
13	JH181388	Cover Chain Outer	1	
14	LBU00237	Screw Button Head Step	8	
15	KBRC4213	Screw Tapping Pan Cross	2	
16	DH151029	Bolt Step	1	
17	PF122019	Rod Torque	1	Disc/Drum LED
	JH122114	Rod Torque	1	Drum
18	KDDB1018	Washer Spring Thin	1	
19	39154011	Washer Plain	1	
20	39069415	Hex Lock Nut	1	
21	KHBA0828	Pin Snap	1	
22	JH181474	Fender Hugger Front	1	

Rear Shock Absorber & Link Assly Belly Crank



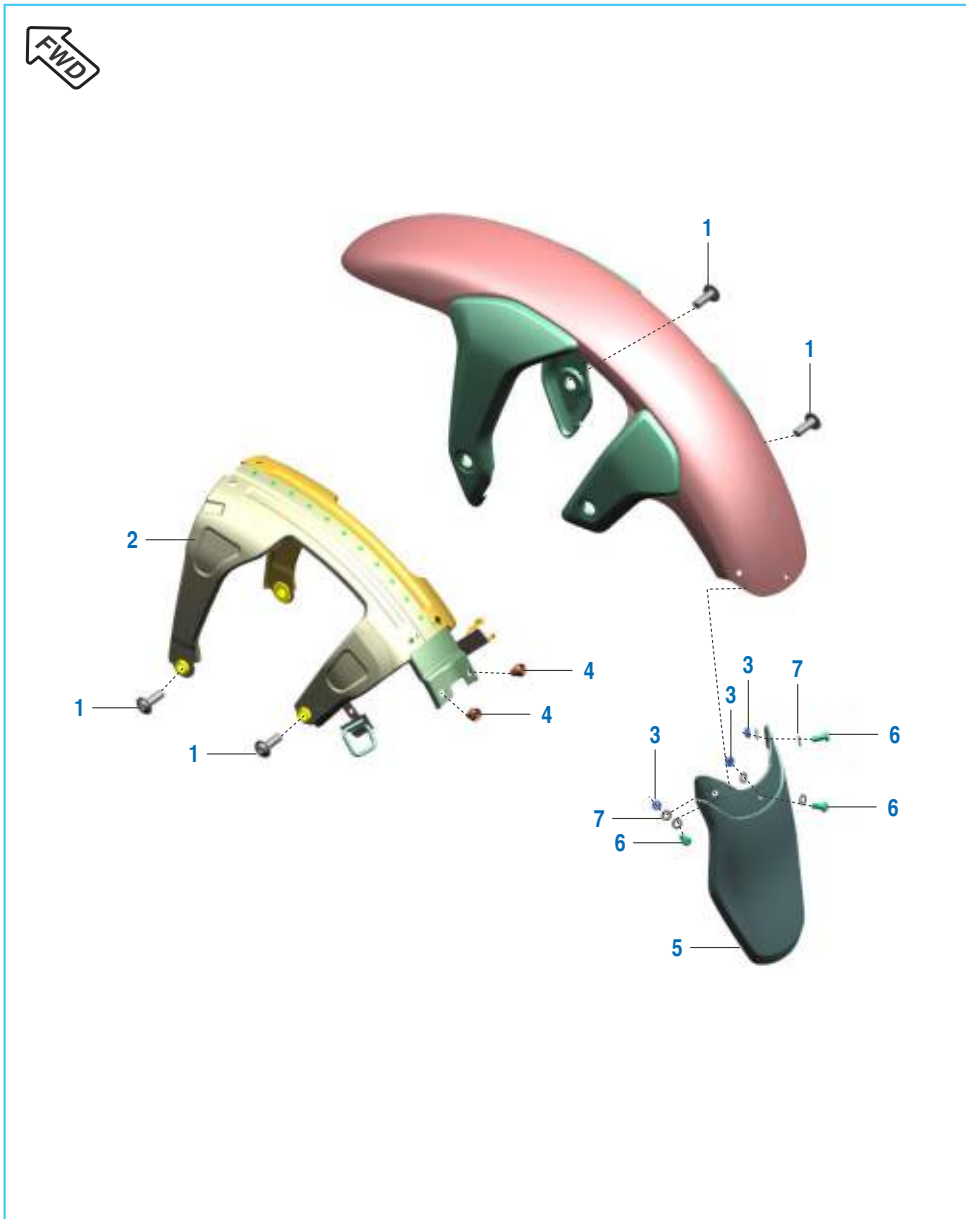
No.	Part No.	Description	Qty.	Remarks
1	LAD00367	Bolt Flanged M10x1.25	1	
2	KADD1060	Bolt Flanged M10x1.25	1	
3	JH122080	Shock Absorber Rear	1	
4	JH122009	Seal Dust	6	
5	JH122101	Spacer	2	
6	JZ122144	Sleeve	1	
7	JH122081	Plate Link	2	
8	KADD1055	Bolt Flanged M10x1.25	1	
9	JF113412	Bolt Flanged M10x1.25	2	
10	JH122077	Link Assembly Bell Crank	1	
11	JE621403	Needle Roller Bearing	2	
12	JH122013	Bearing Needle	2	
13	KCLA1011	Nut U Flanged	3	

Foot Rest & Step Holder



No.	Part No.	Description	Qty.	Remarks
1	JH113095	Step Rider Lh	1	
2	JH113088	Damper Step Rider	2	
3	JH113107	Assembly Step Pillion Rh	1	
4	JH113096	Step Rider Rh	1	
5	JH113102	Damper Stopper	1	
6	LAC00005	Bolt Socket M8X1.25	4	
7	JH113100	Holder Step Pillion Lh	1	
8	30141031	Ring O	2	
9	KHAA2520	Pin Cotter	2	
10	JH113012	Washer Plain	2	
11	DD161381	Pin Clevis Dia 8	2	
12	KDBA0818	Washer Plain	2	
13	JH113104	Assembly Step Pillion Lh	1	
14	JH113105	Step Pillion Lh	1	
15	JH113111	Damper Step Pillion	2	
16	JH113110	Plate Step Pillion	2	
17	DH161785	Pin	2	
18	KADF0616	Bolt Flanged M6X1	1	
21	LAD00149	Bolt Flanged M8X1.25	2	
20	JH113101	Holder Step Pillion Rh	1	
21	JH113108	Step Pillion Rh	1	
22	JH113133	Collar Assembly	2	
23	JZ113042	Damper Silencer	1	
24	LAD00126	Bolt	2	
25	JH113132	Damper	1	

Mudguard - Front



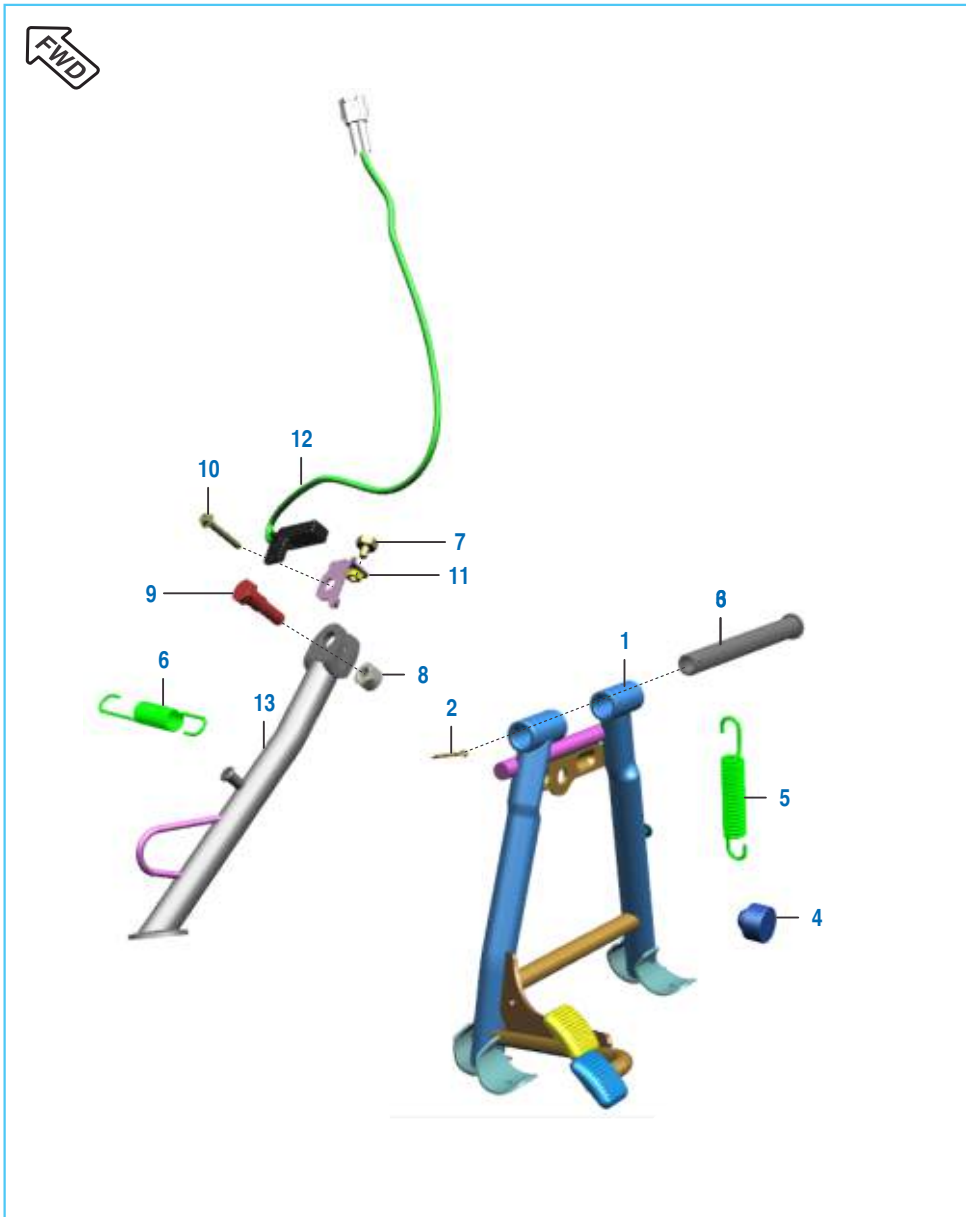
No.	Part No.	Description	Qty.	Remarks
1	LAC00081	Screw Button Head-m8x1.25	4	
2	JH181481	Brace Assembly	1	Disc
	JH181510	Brace Assembly	1	Drum
3	39118415	Nut Nyloc M5x0.8	3	
4	PA181301	Damper Fairing	2	
5	JH181482	Flap Fender Front	1	
6	KBBC0512	Screw Pan Cross M5x0.8	3	
7	KDAE0510	Washer Plain Smal	6	

Mudguard - Rear & Hugger



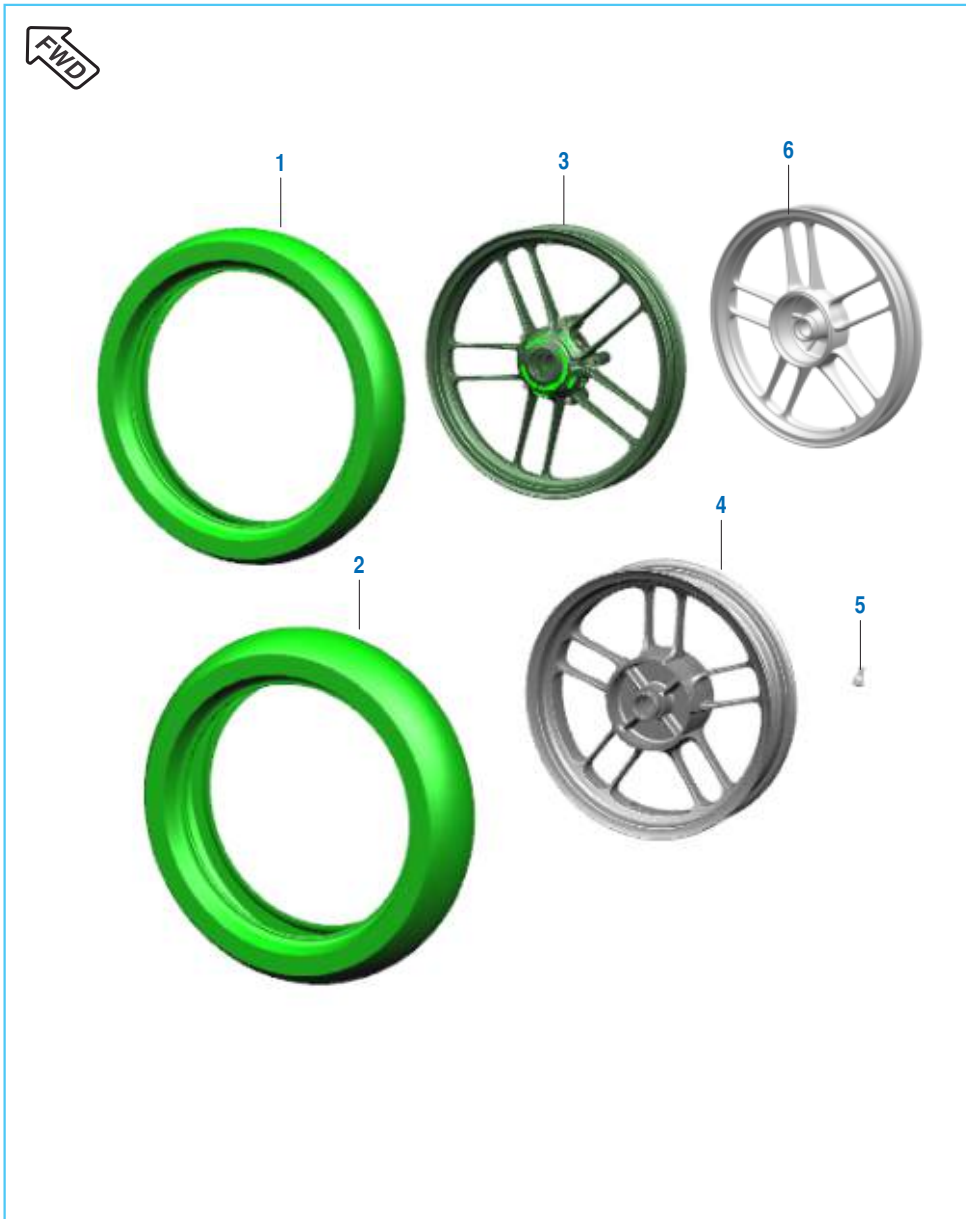
No.	Part No.	Description	Qty.	Remarks
1	JH181747	Tray Under Front	1	
2	JH181384	Tray Under Rear	1	
3	JH181484	Fender Rear	1	
4	LBU00155	Screw Button Head Step M6x1	4	
5	JZ232805	Foam Rear Number Plate	1	
6	JH181504	Bracket Fender Rear Lh	1	
7	JH181505	Bracket Fender Rear Rh	1	
8	JH181491	Extension Fender Rear	1	
9	KBUA0514	Screw Truss M5x0.8	2	
10	LAD00077	Bolt Flange-m6x1x16xblkxprecoat	2	
11	KBUC0510	Screw Truss M5x0.8	2	
12	JR401019	Lamp Plate Number	1	
13	KCGC0505	Nut Hex Flanged	3	
14	JU401024	Reflector Reflex	3	
15	KCGC0606	Nut Hex Flanged	2	
16	JH232815	Bracket Plate Number Rear	1	
17	JH181492	Fender Hugger Rear	1	Disc/Drum LED
	JH181502	Fender Hugger Rear	1	Drum
18	LBU00116	Screw Button Head Step M6x1	4	
19	JH181507	Flap Fender Rear RH	1	
20	JH181506	Flap Fender Rear LH	1	
21	LBR00002	Screw	2	

Side Stand / Center Stand



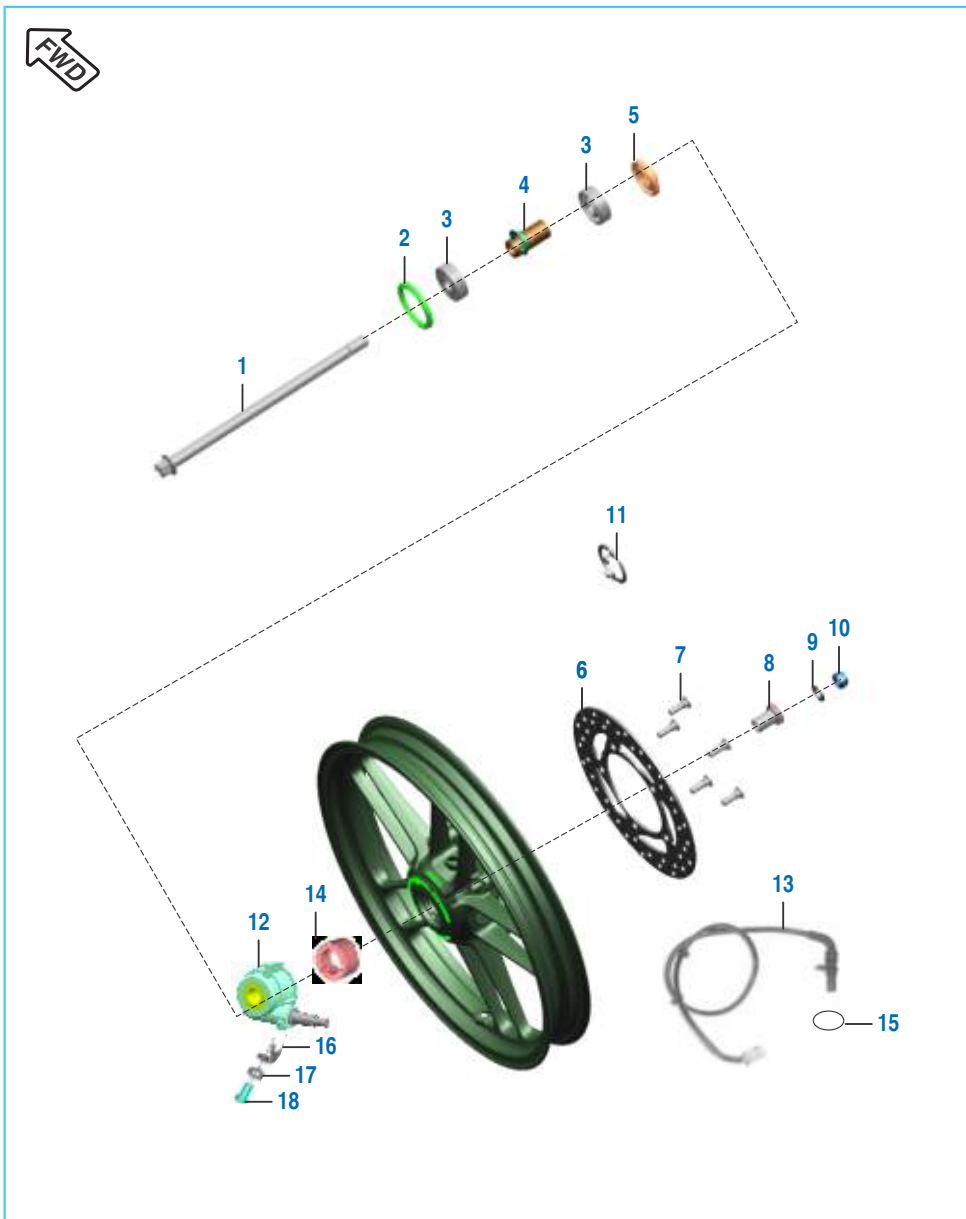
No.	Part No.	Description	Qty.	Remarks
1	JH113211	Stand Center	1	
2	KHAA3225	Pin Cotter	1	
3	GL113227	Shaft Stand Main	1	
4	PA113204	Damper Center Stand	1	
5	JL113207	Spring Tension	1	
6	JL113209	Spring Tension	1	
7	JL403600	Magnet Holder	1	
8	LCH00001	Nut Nyloc	1	
9	JG113207	Bolt	1	
10	KADD0535	Bolt Flanged M5x0.8	1	
11	JH113220	Bracket Holder Magnet	1	
12	JH401423	Switch Stand Side	1	
13	JH113213	Stand Side	1	

Tube / Tyre



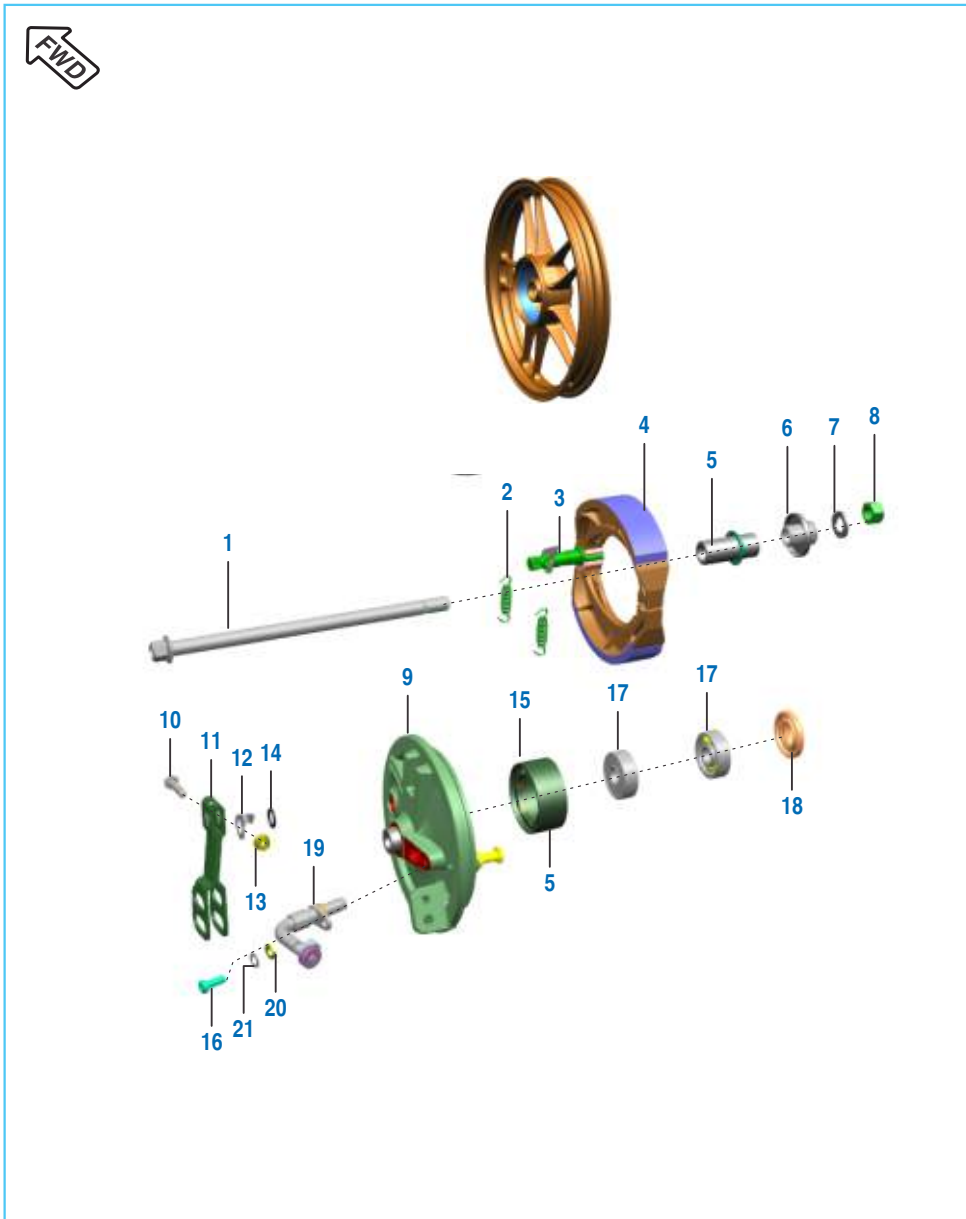
No.	Part No.	Description	Qty.	Remarks
1	JH131077	Tyre Front 90/80-17	1	Disc/Drum LED
	JH131089	Tyre Front 80/90-17	1	Drum
2	JH131267	Tyre Rear 120/70-16	1	Disc/Drum LED
	JH131277	Tyre Rear 80/100-16 TL	1	Drum
3	56JH6033	Wheel Front Mt 1.85x17 Black	1	Disc LED
4	56JH6133	Wheel Rear Mt 2.75x16 Black	1	Disc/Drum LED
	56JH9B4X	Wheel Rear Mt1.85 X16 Black	1	Drum
5	DK151026	Valve Tyre Tubeless	2	
6	56JH6D9L	Wheel Front Mt 1.85x17 Black	1	Drum/Drum LED

Front Wheel Hub - Disc Brake Version



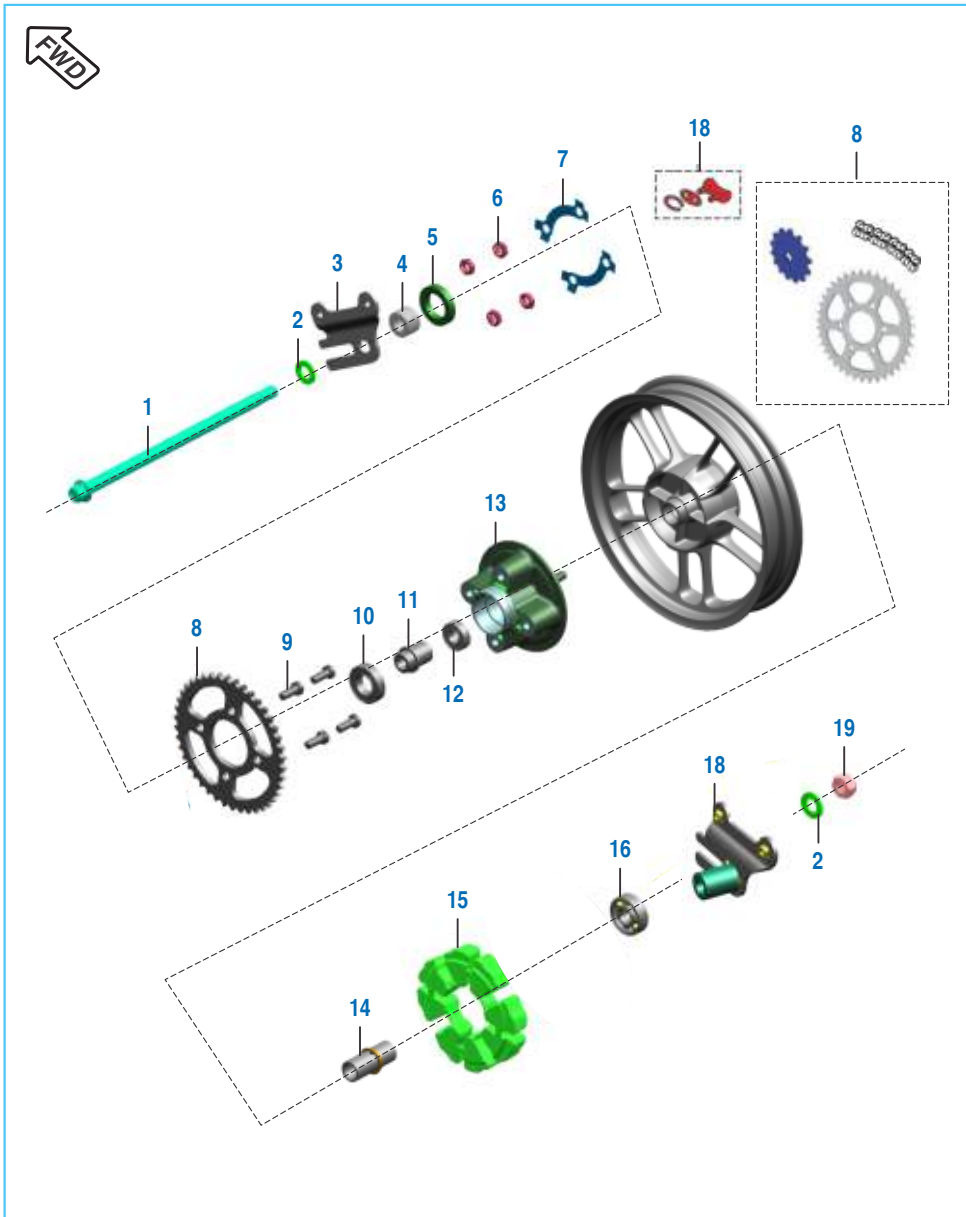
No.	Part No.	Description	Qty.	Remarks
1	JF131008	Axle	1	
2	DE151008	Seal Oil	1	
3	KPBB6301	Bearing-ball-c3 Clearance	2	
4	DE151006	Spacer Assy (ugdesignview)	1	
5	30151033	Seal - Oil	1	
6	JH131936	Brake Disc 240x4	1	
7	JD131811	Screw Socket Step M8x1.25	5	
8	JF131016	Collar	1	
9	KDAB1222	Washer Plain Small	1	
10	KCJD1212	U Nut U-m12x1.25	1	
11	DE151012	Plate-drive	1	
12	JN131603	Case Speed Sensor + Cable	1	
13	DH201079	Sensor Speed	1	
14	DJ151094	Rotor Sensor	1	
15	59210019	'O' Ring	1	
16	30151118	Stopper For Bushing	1	
17	KDDB0408	Washer Spring Thin	1	
18	KBBA0408	Screw Pan Cross	1	

Front Wheel Hub - Drum Brake Version



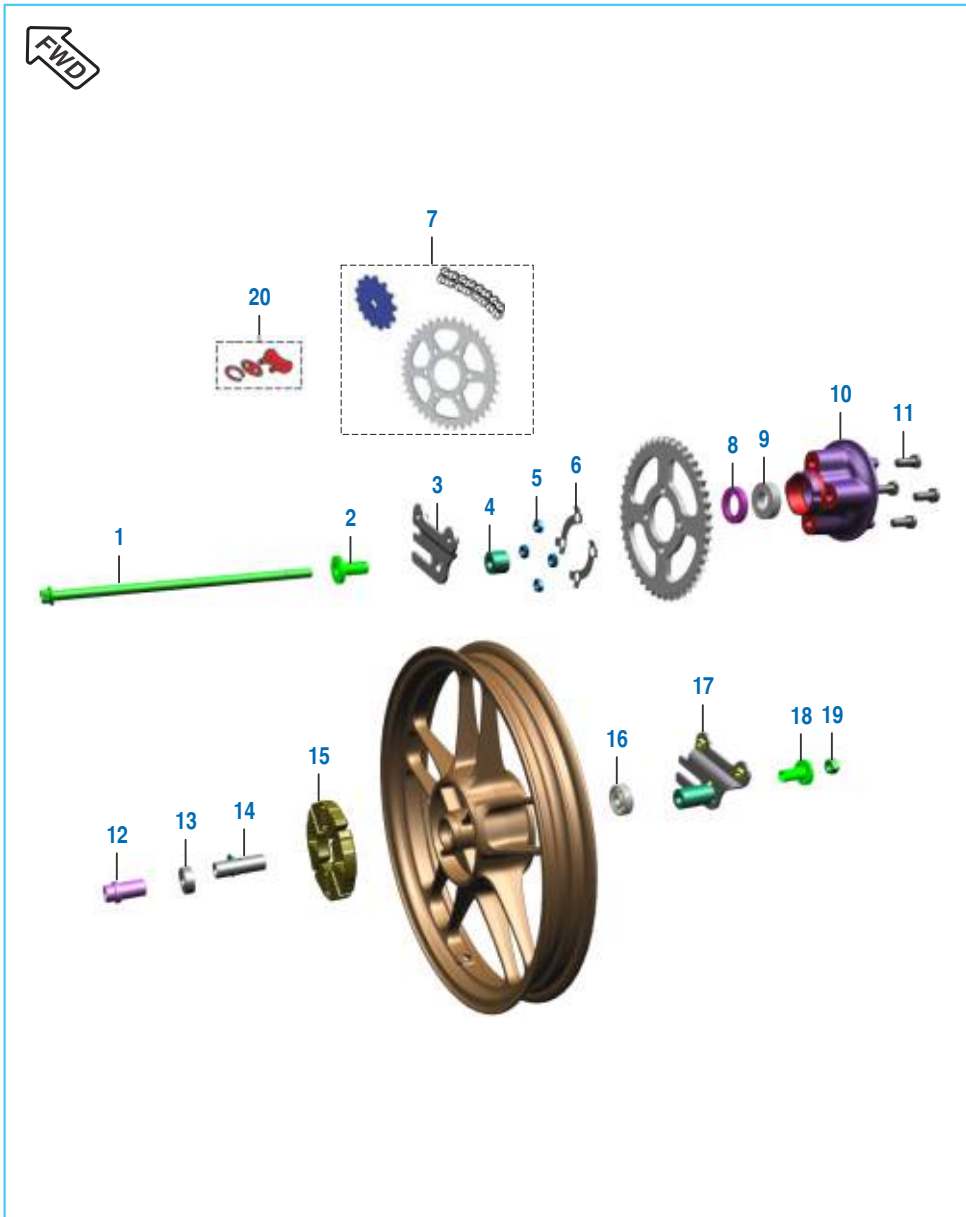
No.	Part No.	Description	Qty.	Remarks
1	Jf131008	Axle M12x1.25	1	
2	30151069	Spring	2	
3	30151004	Cam Brake	1	
4	30151105	Shoe Brake	1	
5	30151032	Collar Bearing	1	
6	Jb131022	Spacer Assembly	1	
7	KDAA1222	Washer Plain Small	1	
8	59150003	Nut U - M12	1	
9	56JK8M7B	Panel Brake Front	1	
10	39077504	Bolt	1	
11	Du151044	Lever Panel Brake Front	1	
12	Dd151009	Indicator Front	1	
13	LCL00002	Nut Flanged-m6x1xht. 6xcl 4xbrt	1	
14	30151038	O Ring	1	
15	Jb131008	Ring-speed Sensor	1	
16	KBBA0616	Screw Pan Cross M6x1	1	
17	KPBB6301	Bearing-ball-c3 Clearance	2	
18	30151033	Seal - Oil	1	
19	Jk403601	Sensor Assembly Speed	1	
20	KDDA0612	Washer Spring Thin	1	
21	KDAA0611	Washer_plain_small	1	

Rear Wheel Hub - 130 mm (Disc/Drum LED)



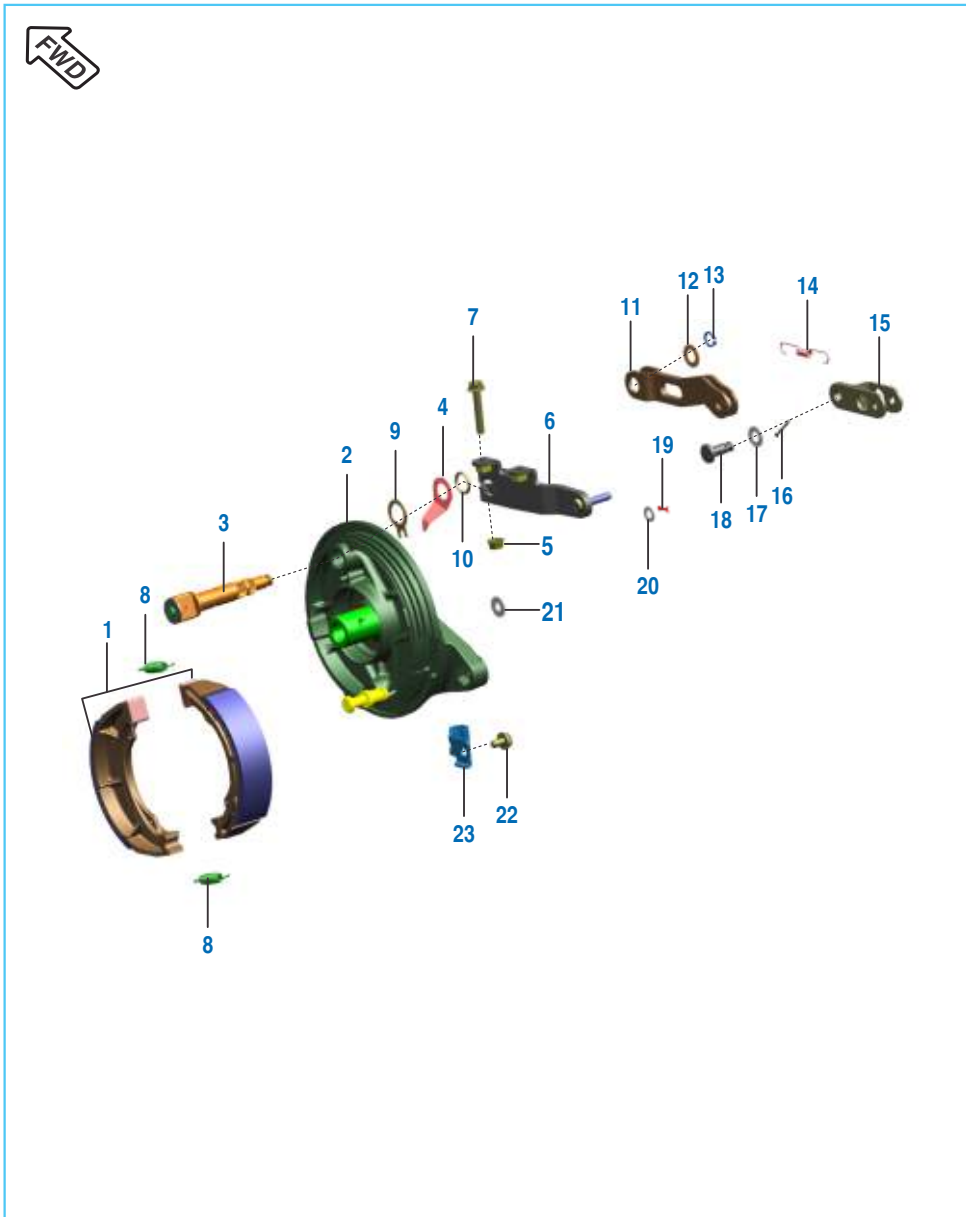
No.	Part No.	Description	Qty.	Remarks
1	JF131236	Axle M12x1.25	1	
2	LDB00029	Washer Plain	2	
3	JH122083	Bracket Hugger Rear Lh	1	
4	DK151014	Spacer	1	
5	DK151012	Seal Oil	1	
6	LCB00005	Nut Hex M10x1.25	4	
7	PF131220	Washer Lock For Nut A/f17	2	
8	36JH0113	Chain Sprocket Kit	1	
9	LAA00105	Bolt D M10x1.25	4	
10	KPAC6005	Bearing Ball Ordinary	1	
11	DK151015	Sleeve	1	
12	KPBB6202	Bearing-ball-c3 Clearance	1	
13	JZ131306	Coupling	1	
14	30151075	Collar Bearing	1	
15	DK151094	Damper Coupling	1	
16	KPBB6302	Bearing-ball-c3 Clearance	1	
17	JD141003	Drive Chain Lock	1	
18	JH131279	Bracket Hugger Rear Rh	1	
19	DH171019	U Nut Swing Arm	1	

Rear Wheel Hub - 110 mm (Drum)



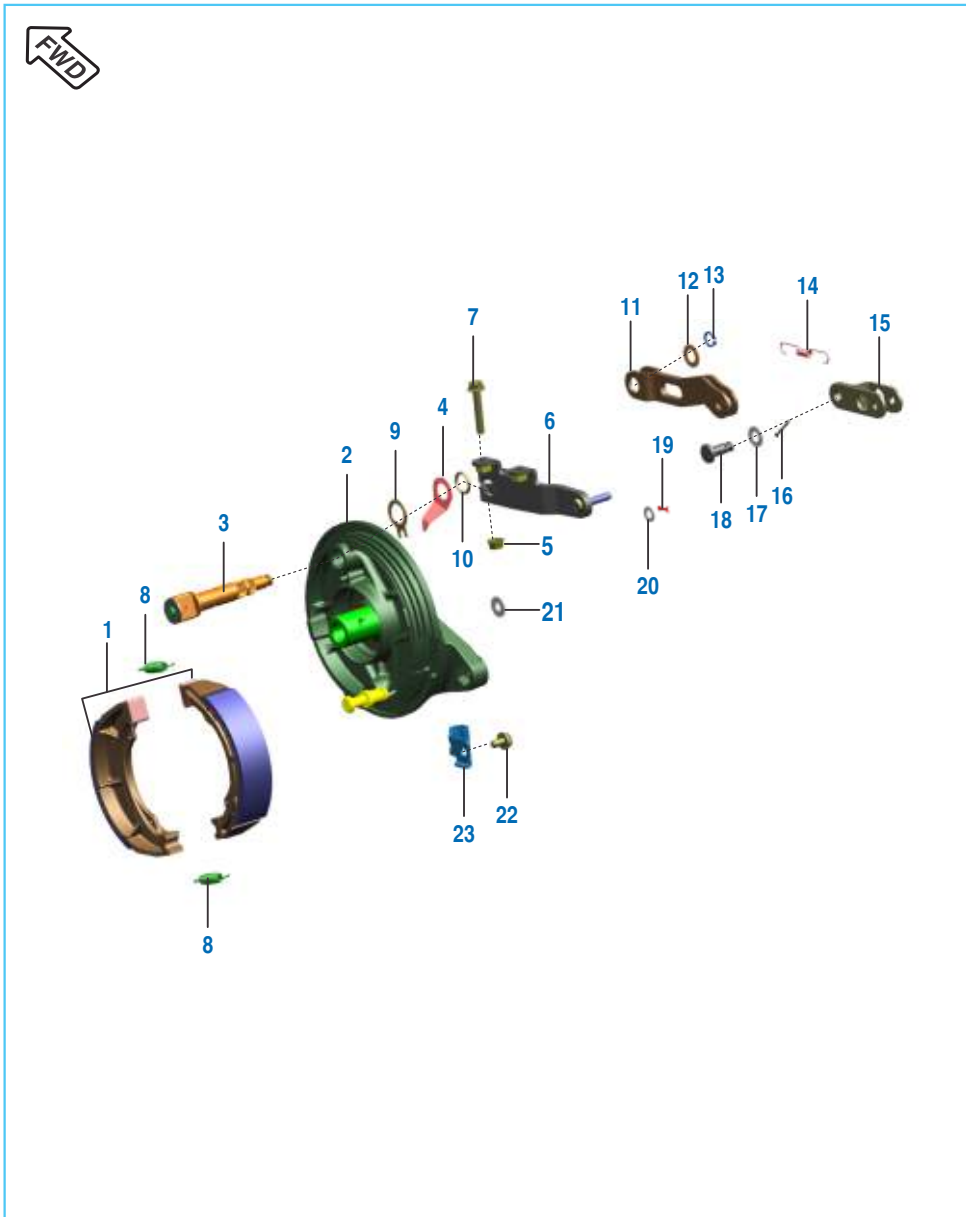
No.	Part No.	Description	Qty.	Remarks
1	JH131098	Axle M12x1.25	1	
2	JH131603	Collar	1	
3	JH122117	Bracket Hugger Rear Lh	1	
4	JH131288	Spacer	1	
5	KCBA1006	Nut Hex M10x1.25	4	
6	31151029	Washer	2	
7	36JH0112	Chain Sprocket Kit	1	
8	30151082	Seal Oil	1	
9	KPBC6004	Bearing-ball-c3 Clearance	1	
10	JH131283	Coupling	1	
11	LAA00105	Bolt D M10x1.25	1	
12	JH131287	Collar	1	
13	KPBB6201	Bearing-ball-c3 Clearance	1	
14	31151018	Collar Bearing (design)	1	
15	31151021	Damper	4	
16	KPBB6301	Bearing-ball-c3 Clearance	1	
17	JH131286	Bracket Assembly Hugger	1	
18	JH131603	Collar	1	
19	59150003	Nut U - M12	1	

Rear Brake Panel - 130 mm Drum Brake (Disc/Drum LED)



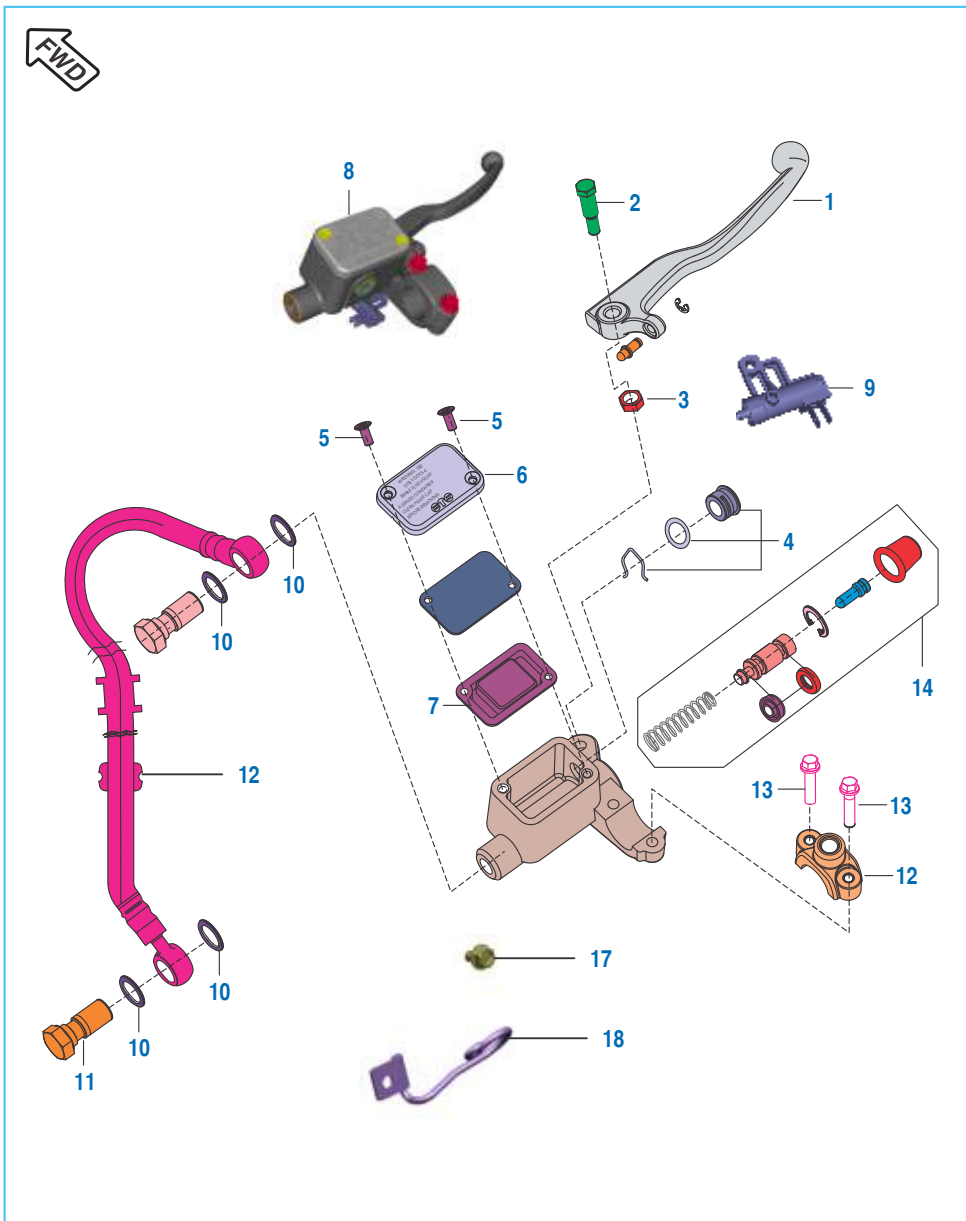
No.	Part No.	Description	Qty.	Remarks
1	30151068	Shoe Brake	1	
2	56JH8N7B	Panel Brake Rear	1	
3	JZ131954	Cam Assembly Brake	1	
4	JC151006	Indicator	1	
5	LCL00002	Nut Flanged-m6x	1	
6	JZ131958	Lever Panel Brake Rear	1	
7	KADF0635	Bolt Flanged M6x1	1	
8	30151069	Spring	2	
9	JC151012	Special Washer Panel Rr	1	
10	01170122	'O' Ring	1	
11	JZ131957	Link Secondary	1	
12	LDA00017	Washer Plain	1	
13	KEAB1010	Circlip External	1	
14	JZ131960	Spring Tension	1	
15	JZ131956	Link Equalizer	1	
16	KHAA2020	Pin Cotter	1	
17	KDAB0816	Washer Plain	1	
18	JK131858	Pin	1	
19	KHAA2015	Pin Cotter	1	
20	KDAB0611	Washer Plain Small-6.5x11.5x0.8	1	
21	39178924	Washer Nylon	1	
22	LAE00101	Bolt Flanged M6x1	2	
23	JZ131953	Bracket Cable Brake	1	

Rear Brake Panel - 110 mm (Drum)



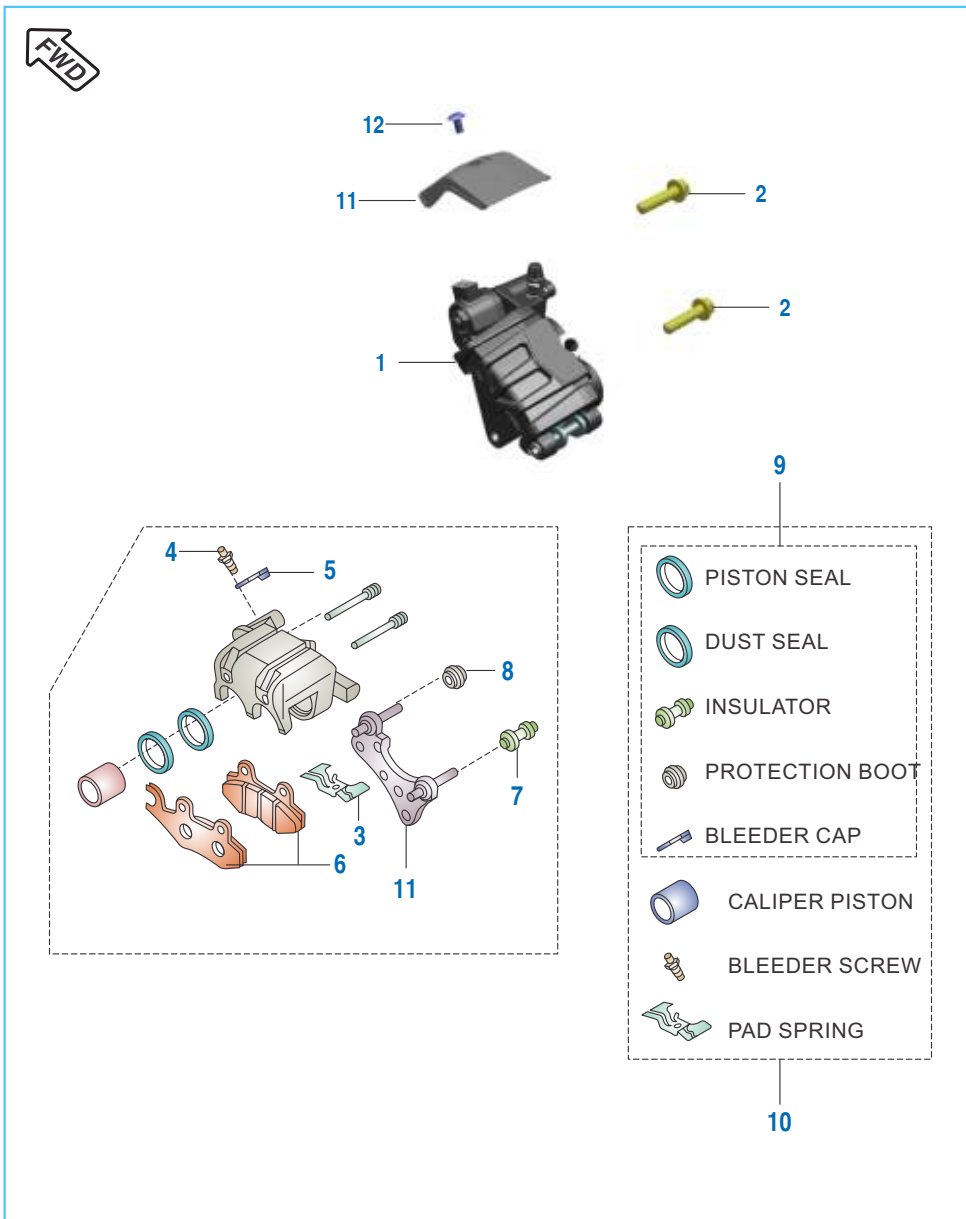
No.	Part No.	Description	Qty.	Remarks
1	GL131869	Shoe Brake	2	
2	56JK8RF3	Panel Brake Rear	1	
3	JK131852	Cam Assembly Brake	1	
4	JC151006	Indicator	1	
5	LCL00002	Nut Flanged-m6x	1	
6	JZ131958	Lever Panel Brake Rear	1	
7	KADF0635	Bolt Flanged M6x1	1	
8	30151069	Spring	2	
9	JC151012	Special Washer Panel Rr	1	
10	01170122	'O' Ring	1	
11	JZ131957	Link Secondary	1	
12	LDA00017	Washer Plain	1	
13	KEAB1010	Circlip External	1	
14	JZ131960	Spring Tension	1	
15	JZ131956	Link Equalizer	1	
16	KHAA2020	Pin Cotter	1	
17	KDAB0816	Washer Plain	1	
18	JK131858	Pin	1	
19	KHAA2015	Pin Cotter	1	
20	KDAB0611	Washer Plain Small	1	
21	39178924	Washer Nylon	1	
22	LAE00101	Bolt Flanged M6x1	2	
23	JZ131953	Bracket Cable Brake	1	

Front Master Cylinder - Disc Brake



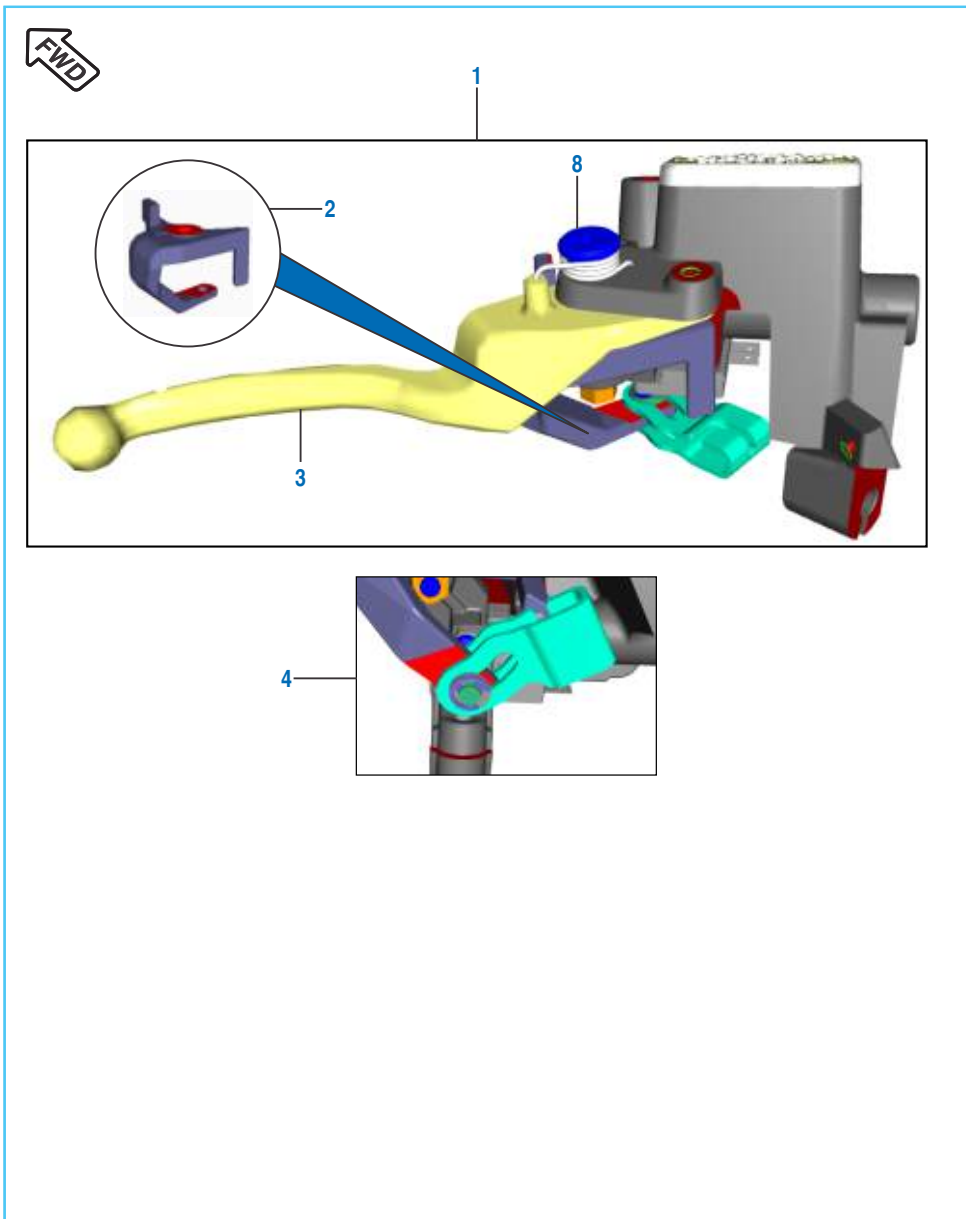
No.	Part No.	Description	Qty.	Remarks
1	JH161031	Brake Lever Front	1	
2	DJ191029	Bolt Front Bracket I	1	
3	DJ191030	Nut	1	
4	36DH1902	Oil Window Kit	1	
5	DJ191031	Screw	2	
6	DE191029	Cover - Reservoir	1	
7	DE191028	Diaphragm	1	
8	JH131850	Cylinder Assembly Master Front	1	
9	DJ201109	Front Brake Switch (Minda)	1	
10	DJ191026	Washer - Copper	4	
11	GL131827	Bolt - Banjo	2	
12	36JH0086	Kit Brake Hose	1	
13	KADD0830	Bolt Flanged	2	
14	36JF0018	Major Kit M-11	1	
15	DE191033	Clamp - Holder : RH	1	
16	36JF0019	Minor Kit	1	
17	JH131915	Clamp Assly	1	
18	KADD0610	Bolt	1	

Front Caliper Assembly - Disc Brake



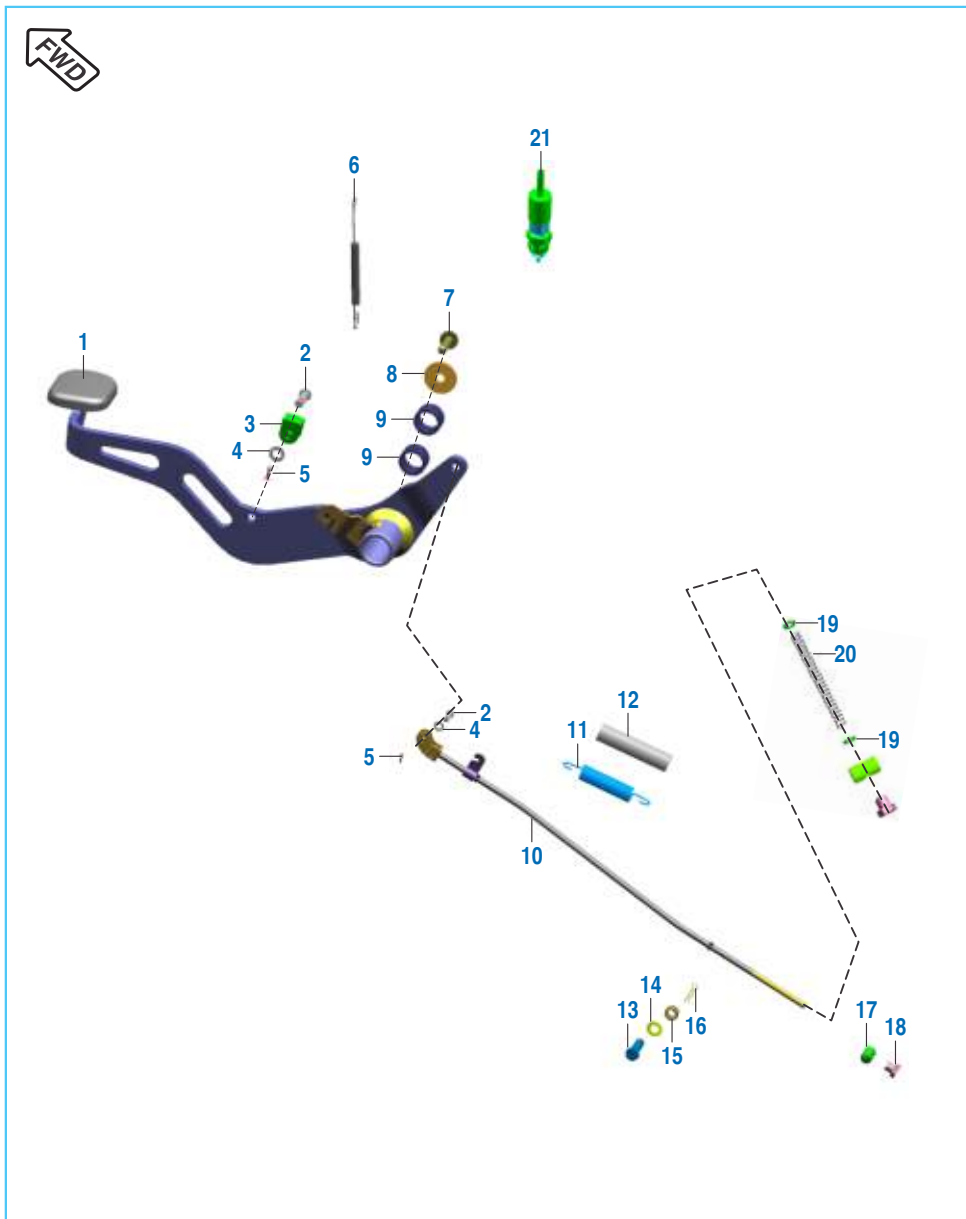
No.	Part No.	Description	Qty.	Remarks
1	JZ131918	Caliper Assembly Front	1	
2	LAD00299	Bolt Flanged	2	
3	DE151048	Spring Pad	1	
4	DE151046	Bleeder Screw	1	
5	DE151047	Bleeder Cap	1	
6	JW131807	Brake Pad Set	1	
7	DE151043	Insulator	1	
8	DE151045	Dust Cover	1	
9	JW131809	Minor Kit - Caliper	1	
10	36DJ4033	Major Kit - Caliper With Grease	1	
11	JZ181382	Cover Disc	1	
12	KBUC0510	Screw	1	

CBS - Combined Braking System - For Disc Brake



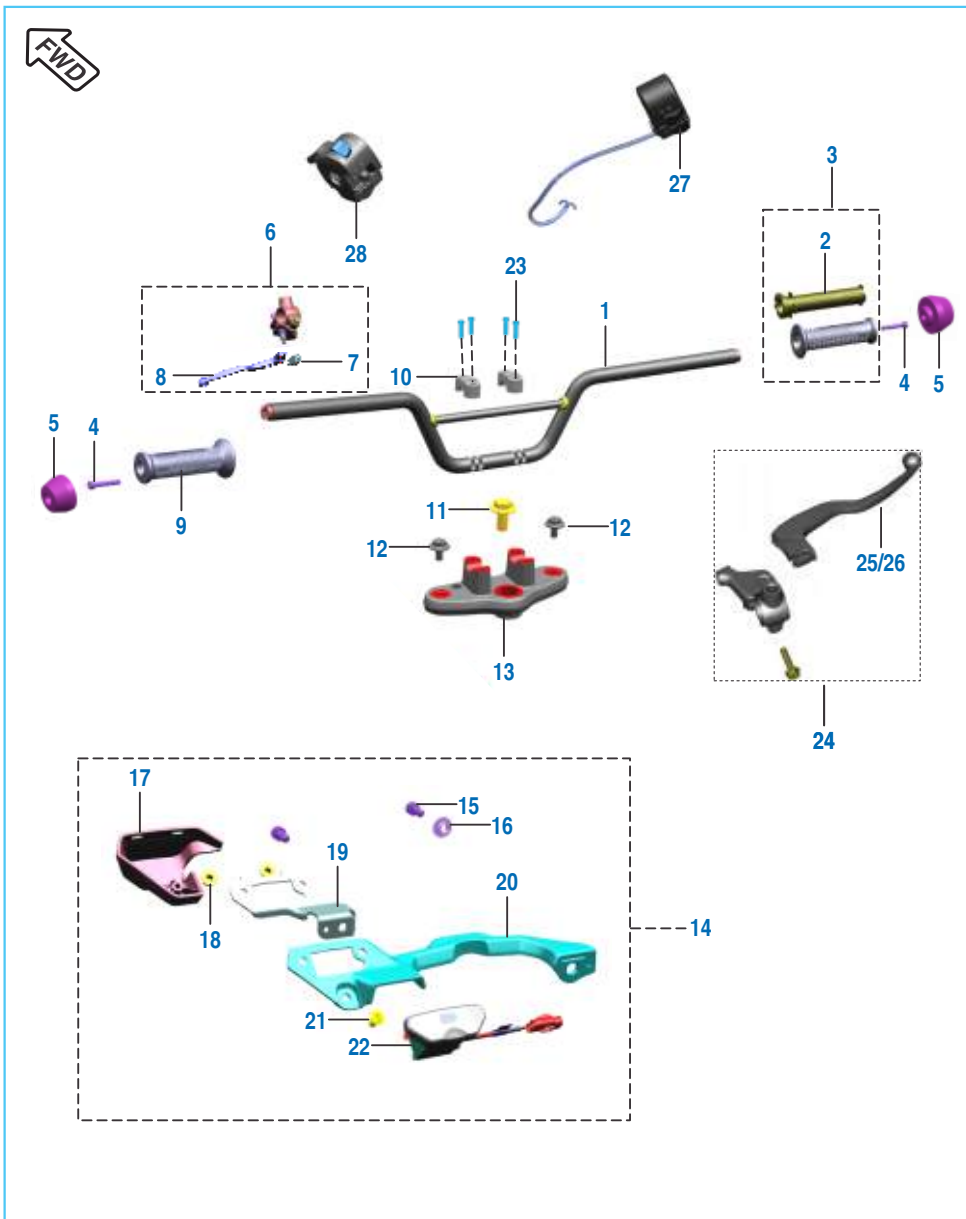
No.	Part No.	Description	Qty.	Remarks
1	JH131850	Cylinder assembly master front	1	
2	JH161031	Lever brake front	1	
3	JH161032	Lever main brake front	1	
4	36JD0092	CBS Actuating Link Kit	1	
5	36JD0091	Lever Spring Kit	1	

Rear Brake Pedal - Drum Brake



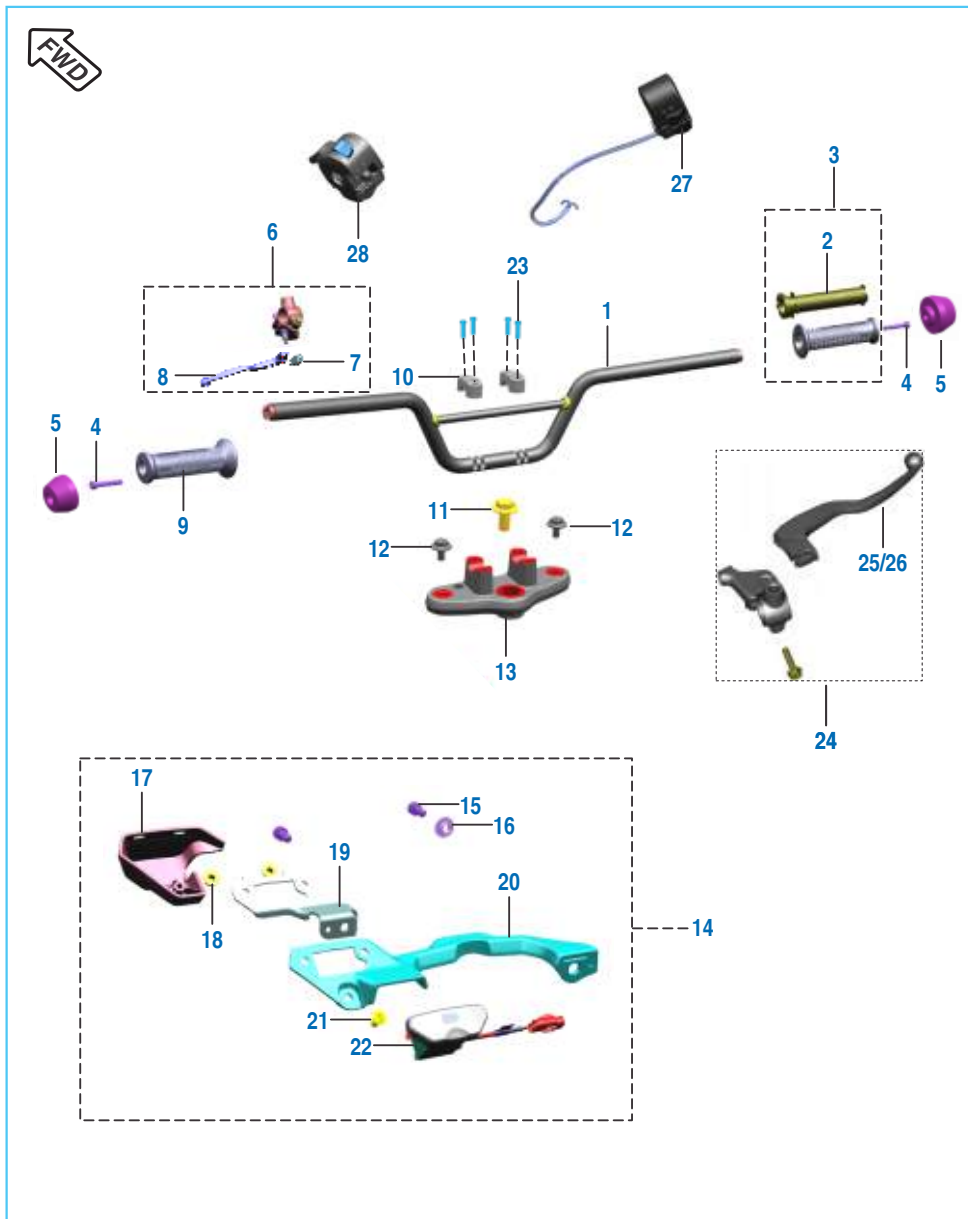
No.	Part No.	Description	Qty.	Remarks
1	JH161068	Pedal Brake	1	
2	30191038	Pin	2	
3	JZ161024	Damper Brake Lever	1	
4	KDAA0611	Washer_plain_small	2	
5	KHAA2015	Pin Cotter	2	
6	DK191014	Spring Rear Brake Switch	1	
7	KADF0620	Bolt Flanged M6x1	1	
8	DP101153	Plain Washer	1	
9	JZ161051	Sleeve	2	
10	JH161064	Rod Brake	1	
11	JD161002	Spring Tension	1	
12	JF161034	Sleeve	1	
	JD161006	Sleeve Brake Return Spring	1	Drum
13	30151095	Hex.bolt	1	
14	KDDB1018	Washer Spring Thin	1	
15	KCAA1008	Nut Hex M10x1.25	1	
16	KHBA0828	Pin Snap	1	
17	DG191050	Pin	1	
18	JC191007	Nut Brake Rod	1	
19	LDA00069	Washer	2	
20	JC191008	Spring Brake Rod	1	
21	31201079	Switch Brake	1	

Handle Bar Assembly



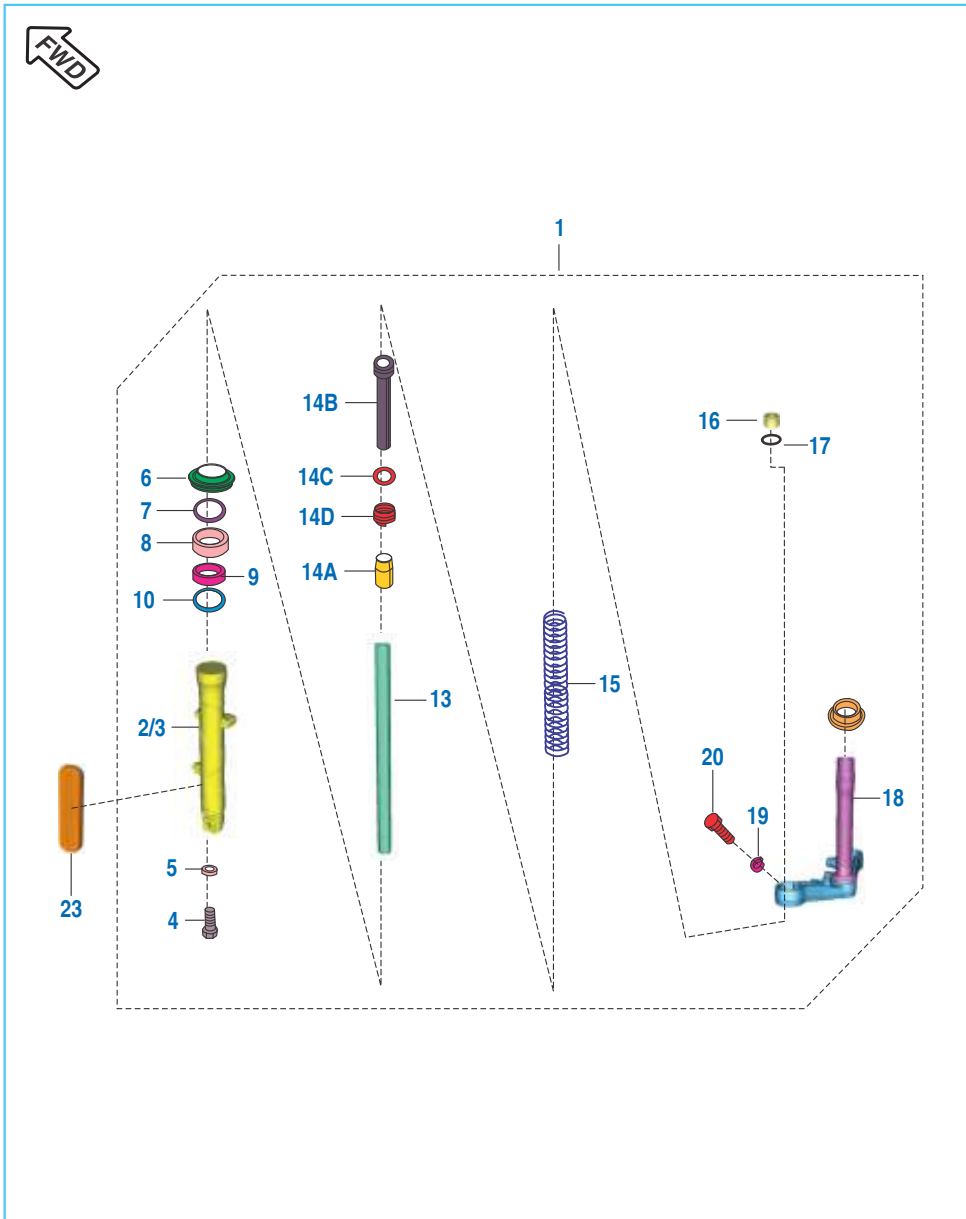
No.	Part No.	Description	Qty.	Remarks
1	JH151060	Handlebar	1	
2	PA151023	Pipe Throttle	1	
3	JH151055	Grip Rh Assly	1	
4	KACG0635	Bolt Socket M6x1	2	
5	JZ151069	Weight Handlebar	2	
6	JH161079	Assembly Lever Holder Lh	1	
7	JZ401403	Switch Clutch (VB) Diode	1	
8	PF161015	Lever Clutch	1	
9	JH151057	Grip Lh	1	
10	DS181019	Handle Holder	2	
11	JY151011	Bolt Flanged	1	
12	59040006	S.S. Hex Head Bolt (with Washer)	2	
13	56JH339L	Bracket Upper	1	
14	JH403400	Bracket Assembly Socket Charger	1	
15	KACA0612	Bolt Socket M6x1	2	
16	JY113826	Collar	1	
17	JH181796	Cover USB Lower	1	
18	KCGD0505	Nut Hex Flanged-m5x0.8	2	
19	JH403401	Bracket Socket Charger	1	
20	JH181795	Cover Usb Upper	1	
21	LBR00002	Screw Tapping Pan Dia 5	1	
22	JH403402	Socket Charger	1	

Handle Bar Assembly



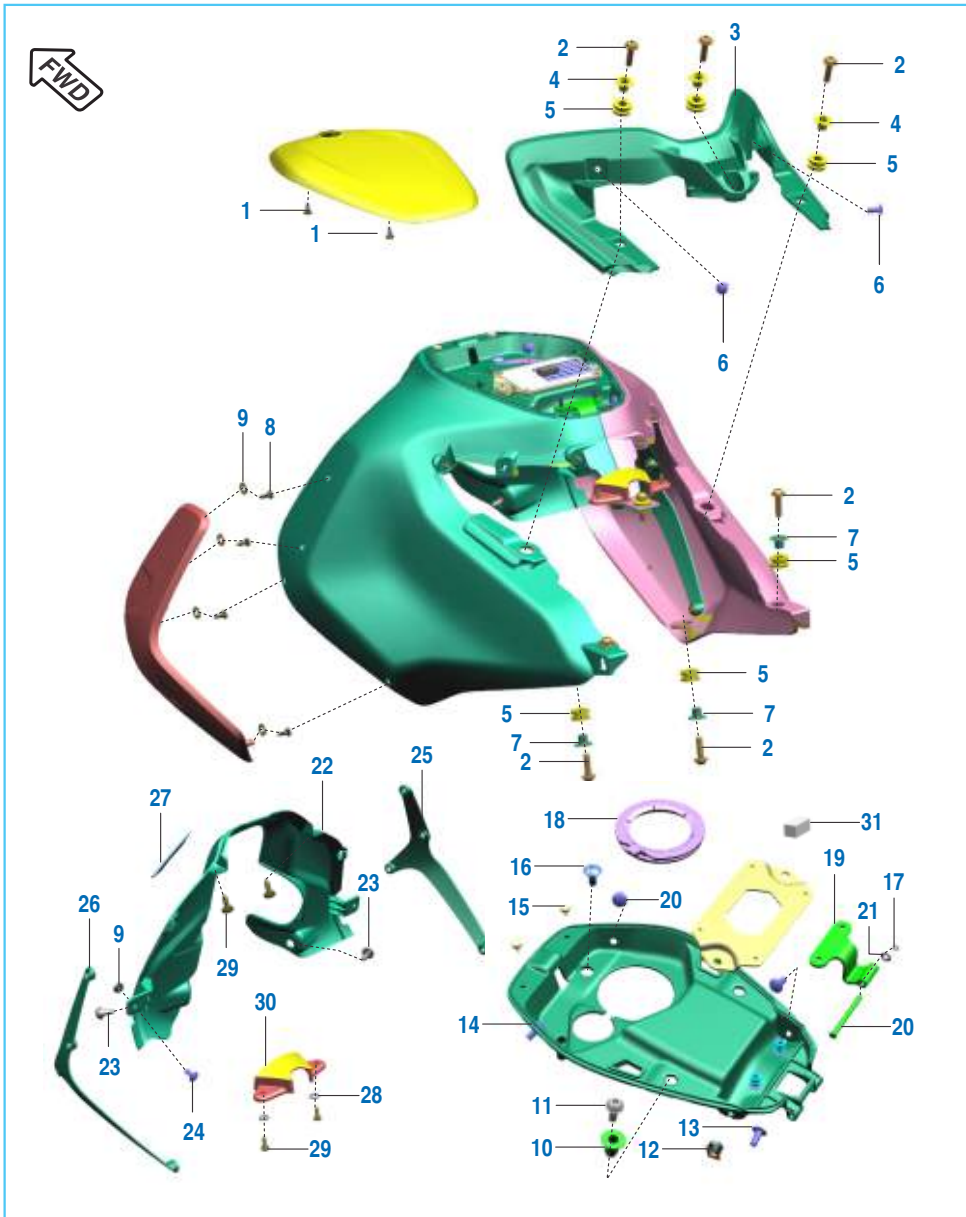
No.	Part No.	Description	Qty.	Remarks
23	39171404	Flange Bolt M8	4	
24	PF161011	Assembly Lever Holder Rh	1	
25	DD191142	Lever - Grip :- Right	1	
26	DD201170	Switch Assembly (with Lever)	1	
27	JH401402	Switch Control RH	1	
	JH401425	Switch Control RH	1	Disc/Drum LED
28	JZ401417	Switch Control LH	1	Disc/Drum LED
	JH401421	Switch Control LH	1	Drum
29	JH401426	Clutch Switch	1	

Front Fork



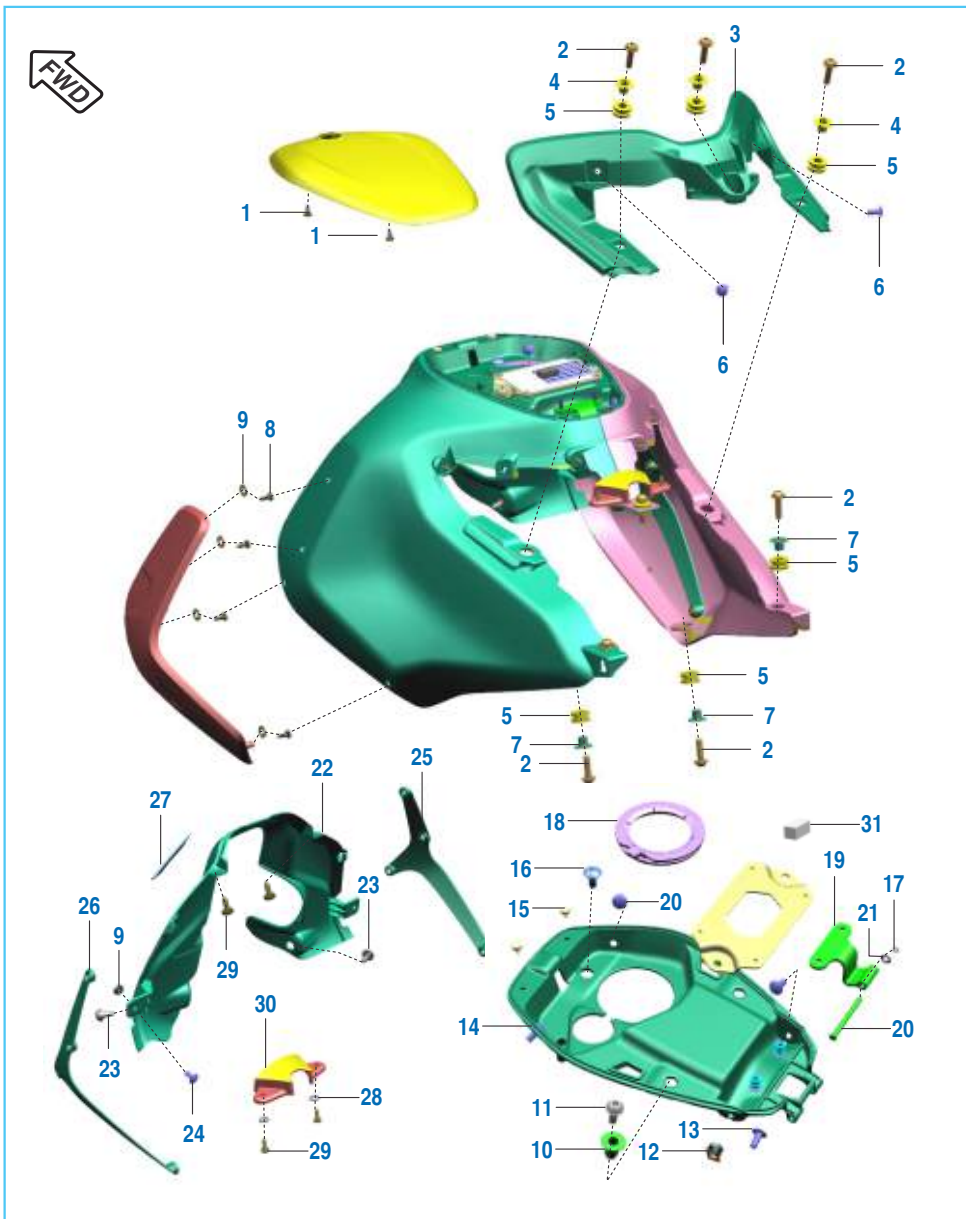
No.	Part No.	Description	Qty.	Remarks
1	JH121088	Front Fork Assembly	1	Disc/Drum LED
	JH121161	Front Fork Assembly	1	Drum
2		Tube Outer Lh	1	
3		Tube Outer Rh	1	
4	KACF0830	Socket Headed Bolt -m10	2	
5	30181026	Copper Washer	2	
6	DD181032	Seal Dust	2	
7	JK121009	Washer Seal	2	
8	DU181008	Oil Seal Sfn	2	
9	JK121007	Guide Bush	2	
10	31181108	Oil Seal Stopper	2	
13		Fork Pipe Inner	2	
14A		Cap Oil Lock	2	
14B		Seat Pipe	2	
14C	30181020	Piston Ring	2	
14D	DM181008	Rebound Spring	2	
15		Spring Main Spring	2	
16	JD151028	Fork Bolt	2	
17	30181029	O' Ring	2	
18	JH121101	Under Bkt Assy Complete	1	
19	KDDB0815	Spring Washer	2	
20	KACG0835	Bolt	2	

Assembly Tank Cover



No.	Part No.	Description	Qty.	Remarks
1	KBRC4210	Screw Tapping Pan Cross St4.2	2	
2	LBU00145	Screw Button Head M6x1	7	
3	JH181731	Trim Cover Tank	1	
4	JH181746	Collar	3	
5	JP181279	Grommet	7	
6	KBUC0512	Screw Truss M5x0.8	4	
7	JP181280	Collar	4	
8	KBRA4213	Screw Tapping Pan Cross Dia 4.2	8	
9	KDBA0512	Washer Plain	8	
10	JR181909	Nut Rivet M6x1	2	
11	LBU00058	Screw Button	2	
12	JG171031	Nut Clip M5	4	
13	KBUC0512	Screw Truss M5x0.8	4	
14	JH181743	Cover Cap Tank Inner	1	
15	JG181361	Damper	2	
16	LBU00230	Screw Truss Step M6x1	1	
17	KECC2504	Circlip Type E	1	
18	JH181759	Grommet	1	
19	JH181752	Bracket Hinge	1	
20	LHE00023	Pin Dia. 4.2	1	
21	KDAA0408	Washer Plain Small	1	
22	JH181740	Flap Tank Middle	1	

Fitting - Tank Cover



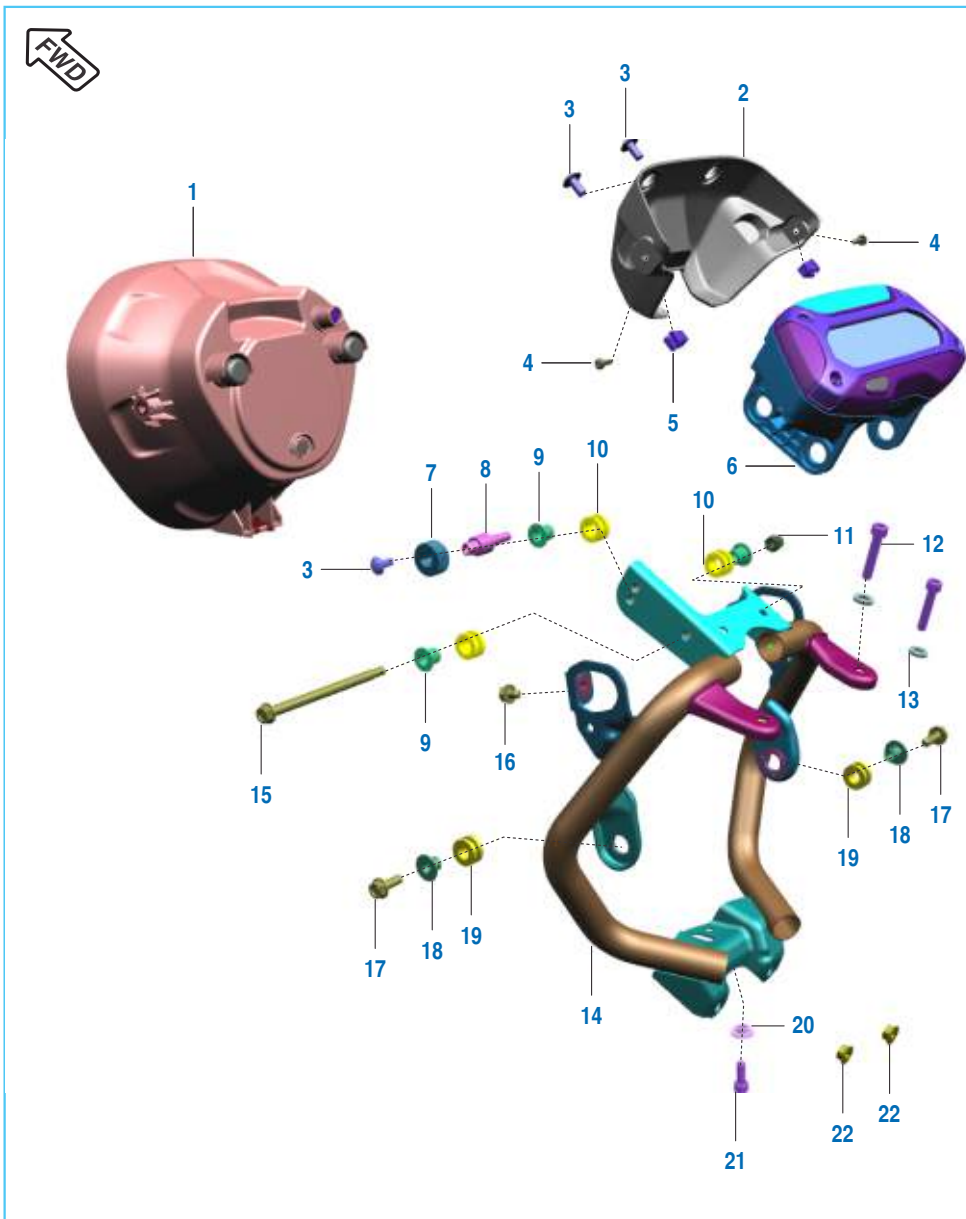
No.	Part No.	Description	Qty.	Remarks
23	LBU00140	Screw Button Head Step M6x1	2	
24	KBUC0512	Screw Truss M5x0.8	2	
25	JH181764	Bracket Spoiler Tank Rh	1	
26	JH181763	Bracket Spoiler Tank Lh	1	
27	JH181751	Beading	1	
28	KDAA0408	Washer Plain Small	2	
29	KBRA3510	Screw Tapping	2	
30	JH181758	Bracket Trim Tank	1	
31	JD113805	Foam	1	

Fittings - Side Covers & Belly Pan



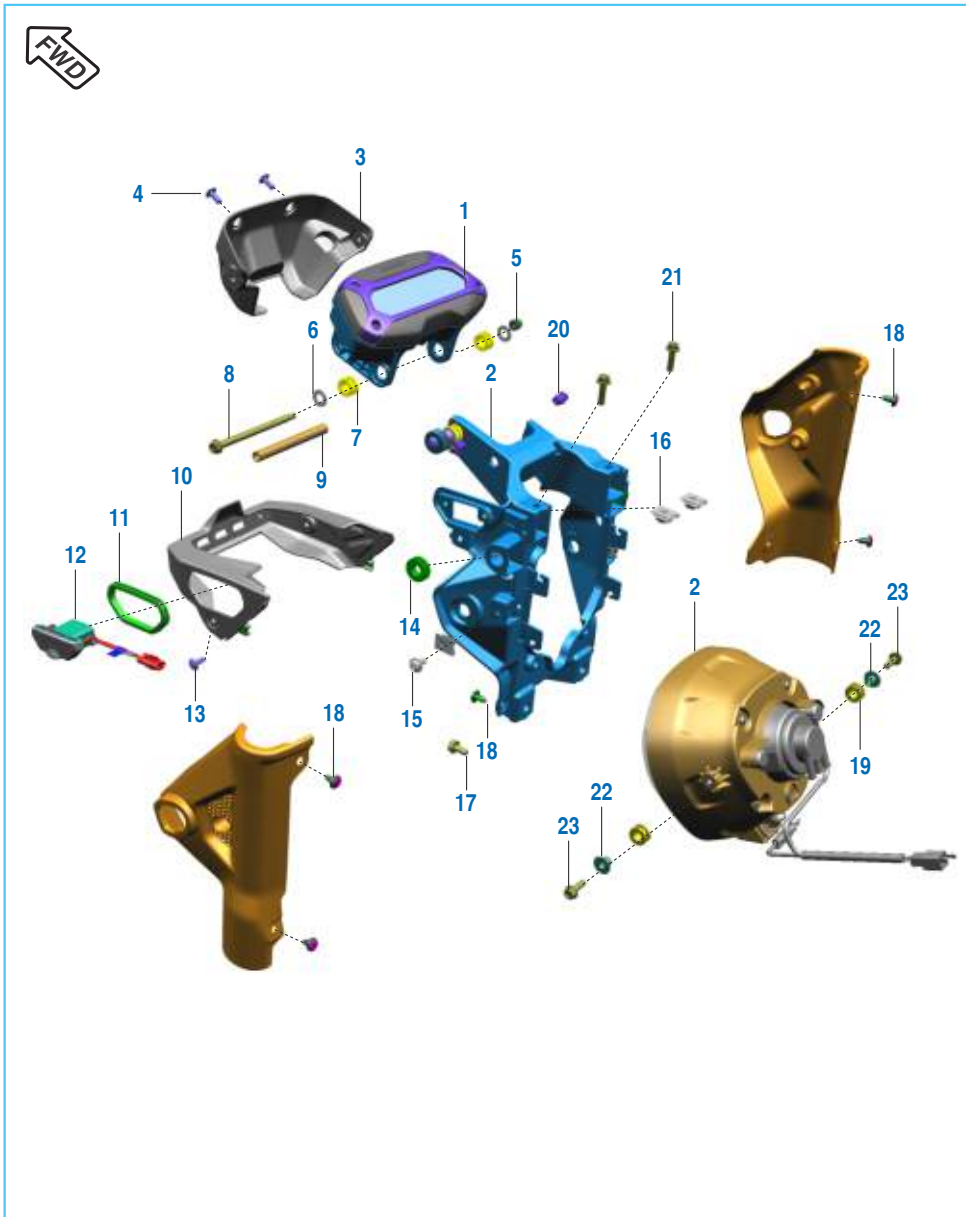
No.	Part No.	Description	Qty.	Remarks
1	LBU00148	Screw Socket Step	2	
2	DD141227	Bolt - Flanged	4	
3	JY181255	Washer End Cap	4	
4	DJ181065	Clip Nut M6	4	
5	DP181041	Damper For Mounting Cowling	4	
6	DP181040	Collar	4	
7	LBU00033	Screw Truss Flanged	4	
8	JH181783	Belly Pan Assembly	1	
9	JH181765	Cover Cylinder Lh	1	
10	JH181766	Cover Cylinder Rh	1	
11	LBU00050	Screw Button Head	3	
12	BF185019	Clip Plastic Rivet	1	
13	JH181769	Belly Pan Assembly	1	Drum
14	LAC00187	Bolt Socket	4	Drum

Instrument Cluster & Head Lamp - Disc/Drum LED



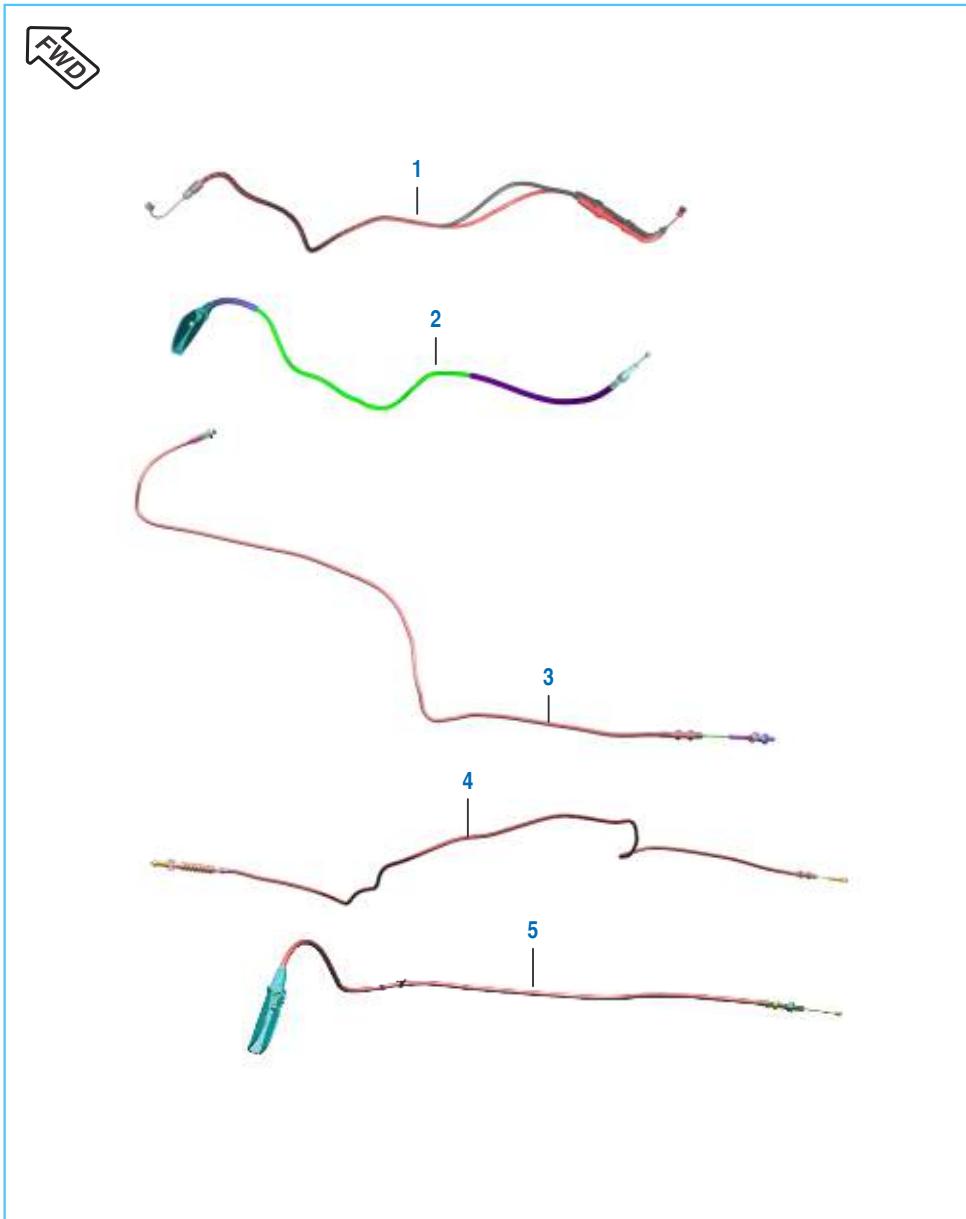
No.	Part No.	Description	Qty.	Remarks
1	JH401048	Lamp Head Led	1	
2	JH181761	Flap Instrument Cluster	1	
3	KBUC0612	Screw Truss	3	
4	KBRC3513	Screw Tapping Pan Cross	2	
5	PD181245	Nut Special	2	
6	JH402423	Instrument Cluster	1	
7	JH181749	Collar	1	
8	LAE00087	Bolt Flanged	1	
9	JH181242	Collar	3	
10	JH181241	Grommet Fairing	3	
11	KCEC0605	Nut Domed Cap Single Piece	1	
12	KACC0630	Bolt Socket	2	
13	LDA00013	Washer Plain	2	
14	JH181371	Structure Fairing	1	
15	LAD00344	Bolt Flanged	1	
16	KADF0608	Bolt Flanged	2	
17	KADC0618	Bolt Flanged	2	
18	JP181280	Collar	2	
19	JP181279	Grommet	2	
20	JY113826	Collar	1	
21	KACC0616	Bolt Socket	1	
22	KCGC0606	Nut Hex Flanged	2	

Instrument Cluster & Head Lamp - Drum



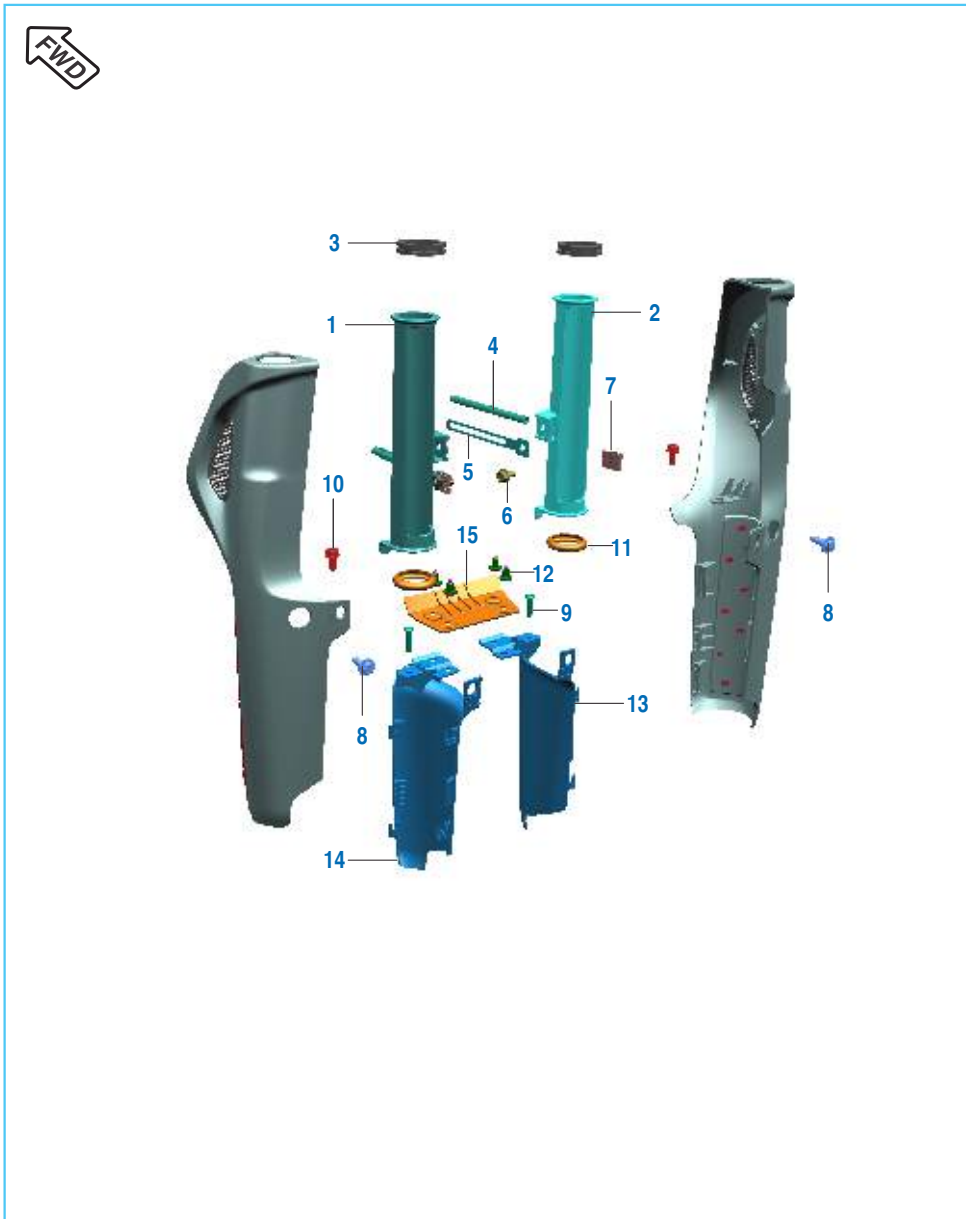
No.	Part No.	Description	Qty.	Remarks
1	JH402424	Instrument Cluster	1	
2	JH401045	Lamp Head	1	
3	JH181761	Flap Instrument Cluster	1	
4	KBUC0512	Screw Truss M5x0.8	2	
5	KCEA0605	Nut Dome Cap	1	
6	KDAB0816	Washer Plain	2	
7	JH181241	Grommet Fairing Mtg	2	
8	LAD00344	Bolt Flanged M6x1	1	
9	JH171145	Spacer	1	
10	JH181906	Holder Plate Number Front	1	
11	JH181908	Beading	1	
12	JR403402	Socket Charger	1	
13	KBUC0512	Screw Truss M5x0.8	2	
14	DT181265	Grommet Side Cover	2	
15	LBU00155	Screw Button Head Step M6x1	2	
16	DJ181065	Clip Nut M6	4	
17	KADF0614	Bolt Flanged M6x1	2	
18	BF185019	Clip Plastic Rivet	6	
19	JP181279	Grommet	2	
20	PD181245	Nut Special	2	
21	KADF0622	Bolt Flanged M6x1	2	
22	JP181280	Collar	2	
23	KADA0620	Bolt Flanged M6x1	2	

Control Cables



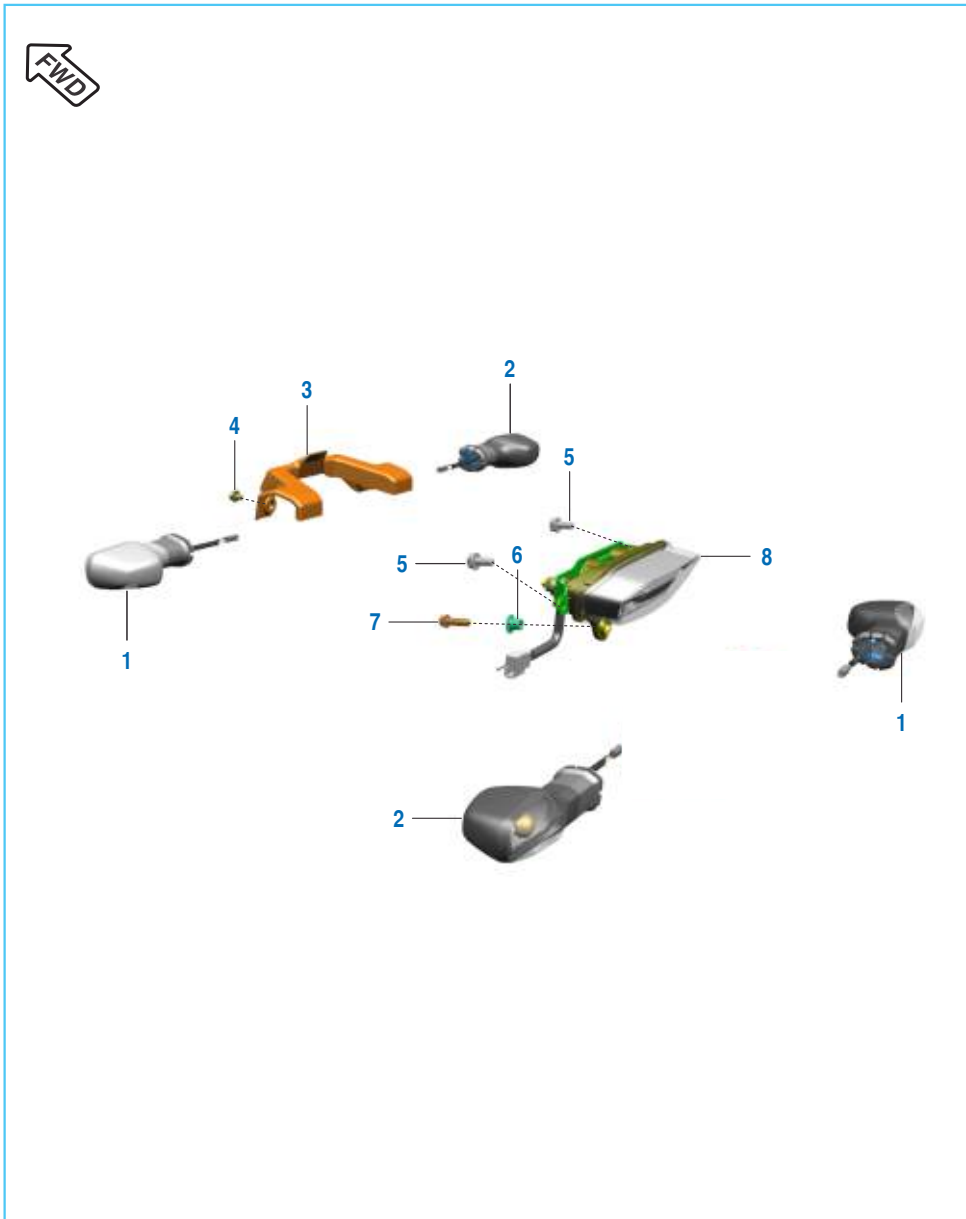
No.	Part No.	Description	Qty.	Remarks
1	JH161234	Cable Throttle	1	
2	PF161235	Cable Clutch	1	
3	JZ161238	Cable Pedal - Master cylinder	1	Disc
4	JH161238	Cable Pedal Brake-Panel Front	1	Drum
5	PF161248	Cable Brake Front	1	Drum

Fork Cover Assembly - Disc/Drum LED



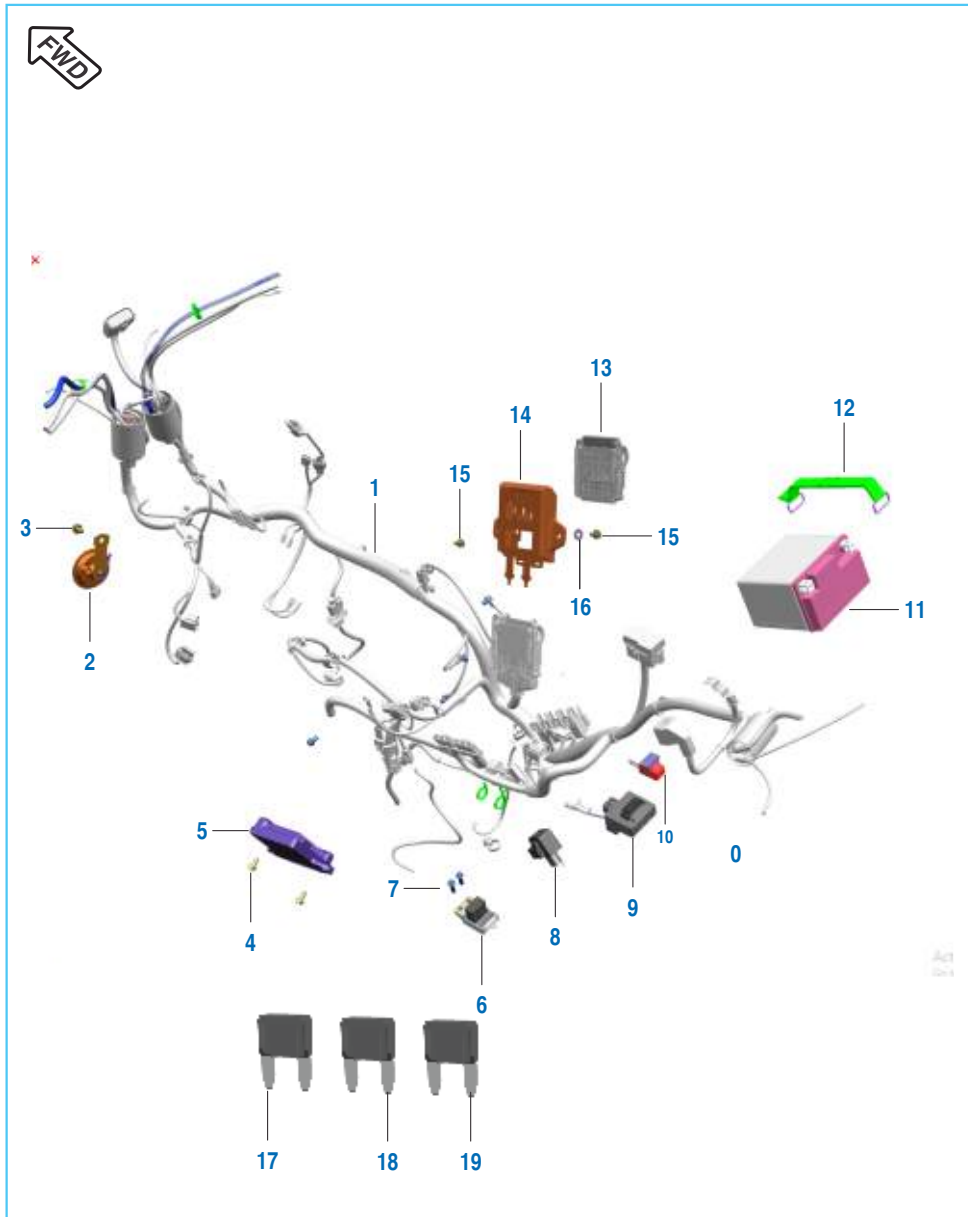
No.	Part No.	Description	Qty.	Remarks
1	JH121151	Sleeve Lh	1	
2	JH121156	Sleeve Rh	1	
3	JH121124	Grommet	2	
4	JF113901	Sleeve Clamp	2	
5	JH113878	Clamp	2	
6	KADA0612	Bolt Flanged M6x1	2	
7	JG113404	Clip Nut	2	
8	LAD00290	Bolt Flanged Step M6x1	2	
9	KBBC0520	Screw Pan Cross M5x0.8	2	
10	LAD00233	Bolt Flanged Step M6x1	1	
11	JH121150	Cushion	2	
12	BF185019	Clip Plastic Rivet	4	
13	56JHDBX3	Cover Tube Fork Inner Rh Eb Black1		
14	56JHDCX3	Cover Tube Fork Inner Lh Eb Black	1	
15	56JHDAX3	Cover Fork Middle Eb Black	1	

Side Indicators & Tail Lamp



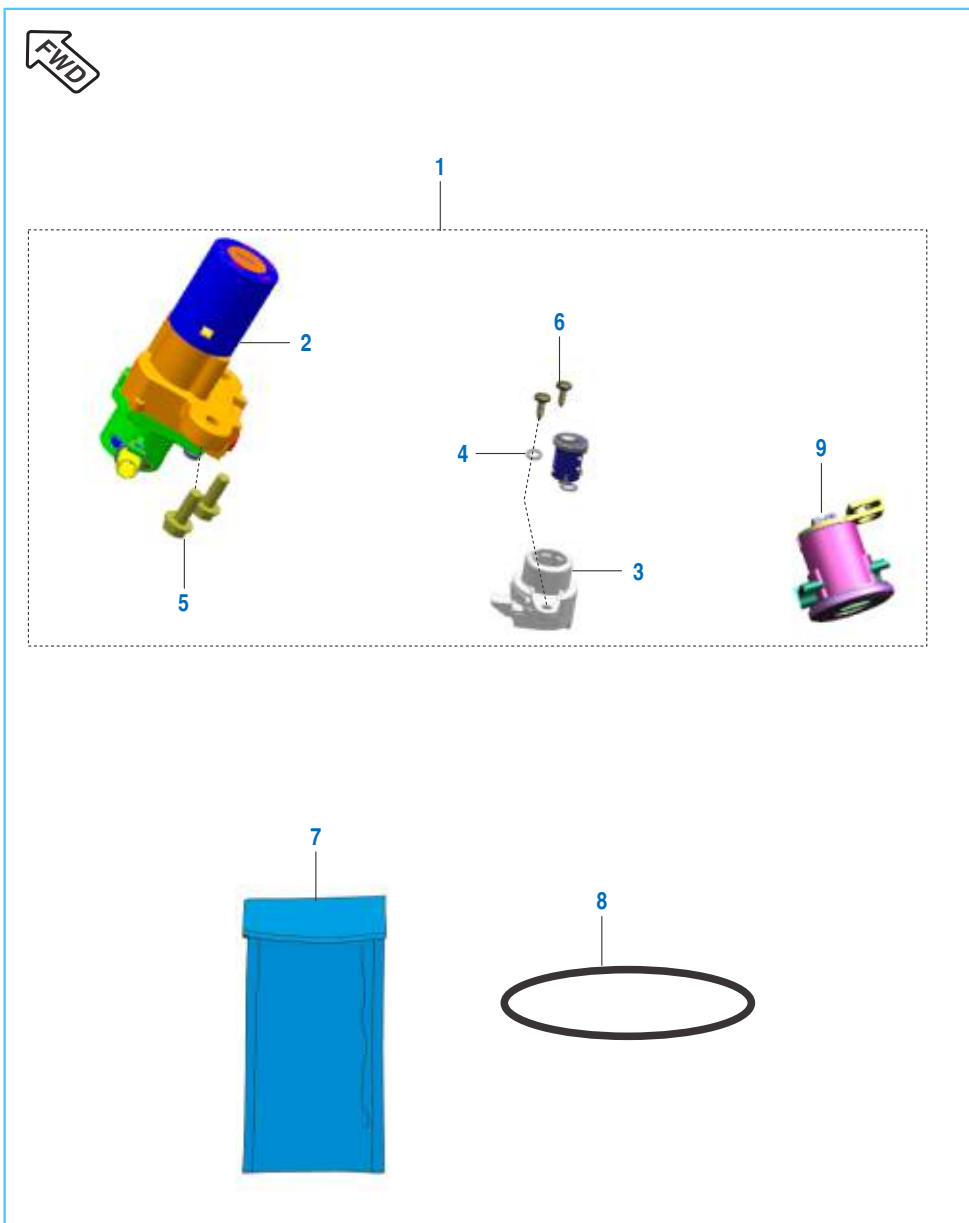
No.	Part No.	Description	Qty.	Remarks
1	JK401036	Indicator Front Lh-rear Rh	2	
2	JK401037	Indicator Front Rh-rear Lh	2	
3	JH181762	Holder Plate Number Front	1	
4	KADF0608	Bolt Flanged	2	
5	DH101638	Bolt Flanged	2	
6	JL181246	Collar Number Plate Mounting	1	
7	LAE00028	Bolt Flanged	1	
8	JH401046	Lamp Tail	1	

Wiring Harness / ECU / Battery



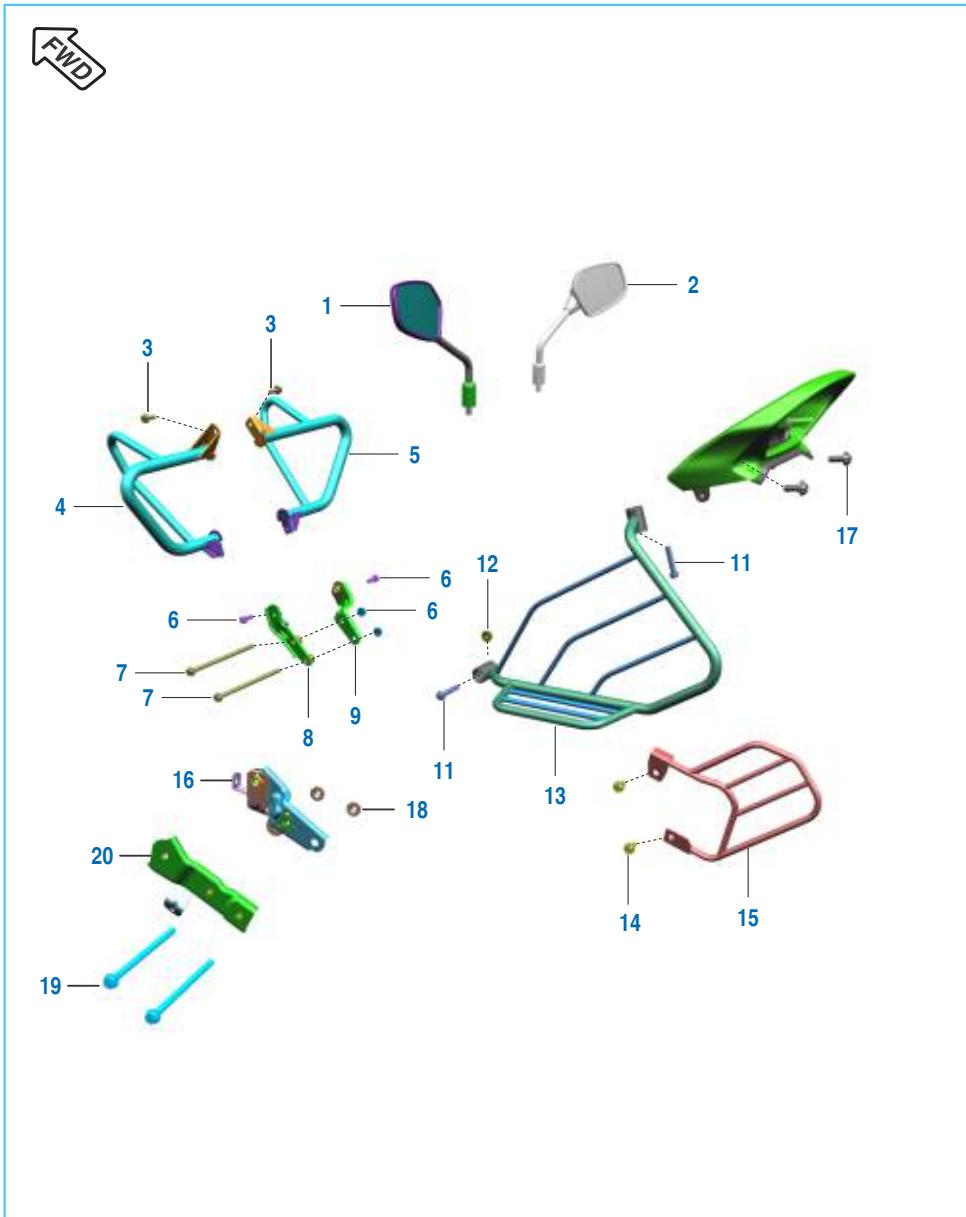
No.	Part No.	Description	Qty.	Remarks
1	JH402256	Harness Wiring	1	Disc/Drum LED
	JH402260	Harness Wiring	1	Drum
2	JW401600	Dc Horn	1	
3	KADD0812	Bolt Flanged	1	
4	KADA0614	Bolt Flanged	2	
5	PF403201	Assembly Unit ISG	1	
6	JY403604	Sensor Roll Over	1	
7	KAED0616	Bolt Flanged	2	
8	JH403201	Unit Termination	1	
9	AM201237	Unit Injector Driver	1	
10	DS201025	Assy D C Flasher	1	
11	JF401803	Battery Vrla 4ah	1	
12	JA401801	Strap	1	
13	JH351437	ECU	1	
14	DH161731	Holder Ecu	1	
15	KADA0612	Bolt Flanged	2	
16	LDB00023	Washer Plain	1	
17	JG402228	Fuse_mini_10a (blade Type)	2	
18	JG402229	Fuse 15a	3	
19	JG402230	Fuse 30a	1	

Lock Set & Tool Kit



No.	Part No.	Description	Qty.	Remarks
1	JH232622	Set Lock	1	
2	JZ401400	Switch Ignition	1	
3	JH232621	Body Lock Cover Cap Tank	1	
4	KDAA0408	Washer Plain_small	2	
5	LAD00077	Bolt Flange	2	
6	KBRA3510	Screw Tapping Pan Cross Dia	2	
7	DH221032	Tool Kit	1	
8	DP101168	O Ring	1	
9	JH232624	Seat Lock	1	

Accessories / Grab Handle / Hand Gaurds



No.	Part No.	Description	Qty.	Remarks
1	JH231611	Mirror Lh	1	
2	JH231612	Mirror Rh	2	
3	KADD0820	Bolt Flanged	2	
4	JH231249	Guard Leg Lh	1	Disc/Drum LED
	JH231262	Guard Leg Lh	1	Drum
5	JH231250	Guard Leg Rh	1	Disc/Drum LED
	JH231263	Guard Leg Rh	1	Drum
6	KACA0818	Bolt Socket	2	
7	KADD08E5	Bolt Flanged	2	
8	JH231255	Bracket Guard Leg Lh	1	
9	JH231256	Bracket Guard Leg Rh	1	
10	LCL00007	Nut U Flanged	2	
11	LAE00088	Bolt Flanged	2	
12	KCGA0808	Nut Hex Flanged	1	
13	JH231260	Guard Saree	1	
14	DH101635	Bolt Flanged	2	
15	JH231234	Guard Saree Lower	1	
16	JH231265	Bracket Guard Leg Rh	1	Drum
17	LBU00228	Screw Socket	2	
18	LCG00045	Nut Hex Flanged M8x1.25	2	Drum
19	JF111052	Bolt Flanged M8x1.25	2	Drum
20	JH231264	Bracket Guard Leg Lh	1	Drum

Painted Parts and Decals - Disc LED version



No.	Part No.	Description	Qty.	Remarks
1	52JH1276	Cover Tank Perl White+Decal	1	
	52JH1274	Cover Tank Carib. Blue+Decal	1	
	52JH1278	Cover Tank Racing Red+Decal	1	
	52JH1277	Cover Tank Pewtr Grey+Decal	1	
	52JH1280	Cover Tank Ebony Black+Pewtr Grey	1	
2	52JH1288	Cover Asly Cap Tank Outer Carib Blue	1	
	52JH1289	Cover Asly Cap Tank Outer Pearl White	1	
	52JH1291	Cover Asly Cap Tank Outer Racing Red	1	
	52JH1290	Cover Asly Cap Tank Outer Pewtr Grey	1	
	52JH1292	Cover Asly Cap Tank Outer E Black	1	
3	52JH1279	Spoiler Tank With Decal Lh Satin Silver	1	
4	52JH1275	Spoiler Tank With Decal Rh Satin Silver	1	
5	52JH1272	Side Cover Lh	1	
	52JH1273	Side Cover Rh	1	
7	56JH05CF	Fr Front Carib Blue Platinum Silver	1	
	56JH05CG	Fr Front Pearl White Platinum Silver	1	
	56JH05CH	Fr Front Pewter Grey Platinum Silver	1	
	56JH05CJ	Fr Front Racing Red Platinum Silver	1	
	56JH05CK	Fr Front E Black Satin Platinum Silver	1	
8	52JH1283	Cover Asly Lh Carib Blue Eb Black	1	
	52JH1284	Cover Asly Lh Pearl Mt Whit Eb Black	1	
	52JH1286	Cover Asly Lh Pewter Grey Eb Black	1	
	52JH1285	Cover Asly Lh Racing Red Eb Black	1	
	52JH1287	Cover Asly Lh Eb Blk Pewter Grey	1	
9	52JH1257	Cover Asly Rh Cariben Blue Eb Black	1	
	52JH1258	Cover Asly Rh Perl Mt White Eb Black	1	
	52JH1259	Cover Asly Rh Racing Red Eb Black	1	
	52JH1260	Cover Asly Rh Pewter Grey Eb Black	1	
	52JH1261	Cover Asly Rh Eb Blk Pewter Grey	1	
10	JH233305	Decal Cover Fork C Blue Lh	1	
	JH233306	Decal Cover Fork Racing Red Lh	1	

Painted Parts and Decals - Disc LED version



No.	Part No.	Description	Qty.	Remarks
	JH233307	Decal Cover Fork Pewter Grey Lh	1	
11	JH233310	Decal Cover Fork C Blue Rh	1	
	JH233313	Decal Cover Fork Racing Red Rh	1	
	JH233312	Decal Cover Fork Pewter Grey Rh	1	
12	JH233315	Decal Spoiler Tank	2	
13	JH233320	Decal Cowl Seat Lh	1	
14	JH233321	Decal Cowl Seat Rh	1	
15	JH233322	Decal Wheel Lh Caribbean Blue	4	
	JH233323	Decal Wheel Lh Racing Red	4	
	JH233326	Decal Wheel Lh Pewter Grey	4	
16	JH233137	Decal Wheel Rh Caribbean Blue	4	
	JH233138	Decal Wheel Rh Racing Red	4	
	JH233324	Decal Wheel Rh Pewter Grey	4	
17	36JH0104	Kit Dcl Cover Tank C Blue	1	
	36JH0105	Kit Dcl Cover Tank Racing Red	1	
	36JH0106	Kit Dcl Tank Pewter Grey	1	
	36JH0107	Kit Dcl Cover Tank P M White	1	
	36JH0108	Kit Dcl Covr Tank Ebony Black	1	
18	Jh233152	Decal FREEDOM RH	1	
19	Jh233151	Decal FREEDOM LH	1	
20	36JH0114	Kit Decal Side Cover LH	1	
	36JH0115	Kit Decal Side Cover RH	1	
21	JH181926	Cowl Assembly Seat Front RH	1	
22	JH181925	Cowl Assembly Seat Front LH	1	
23	52JH1282	Seat Cowl Rear Rh	1	
24	52JH1281	Seat Cowl Rear Lh	1	

Consumable Parts



No.	Part No.	Description	Supply Unit	Application
1	83020550	OIL Bajaj DTS-i 20W50 1L	1	
	83020553	OIL Bajaj DTS-i 20W50 100 ML	1	
	83020555	OIL Bajaj DTS-i 20W50 1L_G	1	
	83020558	OIL Bajaj DTS-i 20W50 100ML_G	1	
2	36001058	Bajaj Coolant Koolex*	1 Ltr.	Coolant Top-up/Replace
3	36DH4061	Brake Fluid DOT4	100 ml	Disc Brake Top-up/Replace
4	36DH4052	Silicon grease	3 gm	Caliper Pin
5	83020473	Grease Petamo GHY 441	3 gm	Water Pump Seals
	36DK0045	Grease Molycoat	200 gm	For Starter Clutch Lubrication
6	36JL0181	Limaplex HTX 3 Grease	10 gm	Steering Race
7	83020173	Multi Purpose Grease* (Local Purchase)	--	Lubrication of Clutch Lever, Brake Lever, Brake Pedal & Side Stand
8	36001055	Chain Lubricant HP Make	1 kg	Non - Sealed Chain Lubrication
9	36001062	Liquid gasket L5910	50 ml	Crankcase Joining
10	36314004	Fork oil	160 ml	Front Fork Top-up/Replace\
	36JG0087	Fork oil 480 ml (Dominar UG)	480 ml	Front Fork Top-up/Replace\
11	36DH4029	Kit Spray Chain Lub	100 ml	Sealed Drive Chain
12	36DH4071	Wonderfill Chain Spray	100 ml	Sealed Drive Chain

* Marked items to be arrange from vendor or local market. Not applicable against chassis number.

Consumable Parts

<p>13</p> 	<p>14</p> 	<p>15</p> 
<p>16</p> 	<p>17</p> 	<p>18</p> 
<p>19</p> 	<p>20</p> 	<p>21</p> 
<p>22</p> 	<p>23</p> 	<p>24</p> 

No.	Part No.	Description	Supply Unit	Application
13	36DH4072	Rust Remover Spray Make - Zorric 88 & Wonder fill easiner	100 ml	For Removing Rust from Components
14	76010936	Loctite Thread locker 243*	50 ml	For Screws & Bolts
15	76010937	Loctite retaining compound 638*	50 ml	For Screws & Bolts
16	37004352	Touch up paint slate grey*	440 ml	Touch up of Frame, Swing Arm & Step Holder
17	37004353	Touch up paint Matte Silk black*	440 ml	Touch up of Grab Handle, Handle Bar & Handle Holder
18	36001060	Kibatsu touch up paint*	400 cc	Touch up of Cylinder head, Block & Alloy Wheels
19	37224018	Paint Bottle Schwartz Black*	--	P-200NS Frame Touch-up
20	75680236 NA	Petroleum Jelly (Local Purchase) Distilled Water (Local Purchase)	-- 1 Ltr.	For Battery Terminals For Battery Level Top-up
21	NA	SAE 90 oil (Local Purchase)	-	
22	62305084	WD40 Spray (Local Purchase)	400 ml	Electrical Contact Cleaning Spray
23	36001056	Carburetor Cleaning Spray*		For Cleaning Carburetor/ Throttle Body
24	37254039	Corrosion Protection Spray* Proto quick LTP902	--	For Preventing vehicle parts from rusting

* Marked items to be arrange from vendor or local market. Not applicable against chassis number.

Kit List



Sr No	Kit Part No.	Kit Description	Consisting of Following Parts		
			Part No.	Description	Qty/Kit
1	36JR0098	CHAIN GUIDE KIT	PD511239	GUIDE CHAIN SLACK SIDE	1
			PD511240	GUIDE CHAIN TIGHT SIDE	1
2	36JR0100	KIT PRIMARY GEAR+ CL HSG	PD531044 PD551434	GEAR PRIMARY DRIVE HOUSING ASSEMBLY CLUTCH	1 1
3	36JR0112	KIT FRICTION PLATE	YJR06009	DISC A CLUTCH FRICTION	2
			YJR06011	DISC C CLUTCH FRICTION	2
4	36JR0113	KIT CLUTCH PLATE STEEL	YJR06008	PLATE CLUTCH	3
5	36JR0103	KIT ASSLY CRANKCASE RH	PD541079	CRANKCASE ASSEMBLY RH	1
			KPBF6203	BEARING-BALL-C3	1
			KPBG6201	BEARING BALL	1
			JG531220	BALANCER BEARING	1
			JY541038	BUSH	1
			JG541021	NOZZLE JET OIL	1
6	36JR0100	KIT PRIMARY GEAR+ CL HSG	PD531044 PD551434	GEAR PRIMARY DRIVE HOUSING ASSEMBLY CLUTCH	1 1
7	36JR0098	CHAIN GUIDE KIT	PD511239	GUIDE CHAIN SLACK SIDE	1
			PD511240	GUIDE CHAIN TIGHT SIDE	1
8	36JR0112	KIT FRICTION PLATE	YJR06009	DISC A CLUTCH FRICTION	2
			YJR06011	DISC C CLUTCH FRICTION	2
9	36JR0113	KIT CLUTCH PLATE STEEL	YJR06008	PLATE CLUTCH	3
10	36JR0102	KIT ASSLY CYL HEAD	PD511081	HEAD CYLINDER	1
			JH541236	JET OIL COVER CLUTCH	1
			JE511052	NOZZLE	1

Kit List



Sr No	Kit Part No.	Kit Description	Consisting of Following Parts		
			Part No.	Description	Qty/Kit
11	36JR0103	KIT ASSLY CRANKCASE RH	PD541079	CRANKCASE ASSEMBLY RH	1
			KPBF6203	BEARING-BALL-C3 CLEARANCE-HN3	1
			KPBG6201	BEARING BALL ID12XOD32XT10XC3	1
			JG531220	BALANCER BEARING (6202/HN3C3D8)	1
			JY541038	BUSH	1
			JG541021	NOZZLE JET OIL	1
13	36DH4102	PISTON RING SET	PD521210	RING PISTON TOP_DIA 56	1
			PD521211	RING PISTON SECOND_DIA 56	1
			PD521212	RING PISTON OIL_DIA 56	1
14	36JR0128	KIT BLOCK PISTON ASSLY	PD521021	BLOCK CYLINDER	1
			DH103773	PISTON ASSEMBLY	1
15	36JR0129	KIT VALVE INTAKE+EXHAUST	PD511265	VALVE INTAKE	1
			PD511264	VALVE EXHAUST	1
16	36JR0130	KIT CHAIN SPROCKET	JR141003	CHAIN	1
			DH101117	SPROCKET DRIVE	1
			DX151021	SPROCKET DRIVEN	1
17	36JR0131	KIT VALVE REPAIR	TA511224	SEAT SPRING VALVE	2
			PD511242	SPRING VALVE	2
			PD511266	RETAINER SPRING VALVE	2
			CB101009	SEAL VALVE STEM	2
			CB101022	COTTER VALVE	4
18		KIT CLUTCH COVER MATTE COVER CLUTCH-PLUG COPPER	Pd541253		
			1		
			JH541236	JET OIL COVER CLUTCH	1
			JZ541268	WINDOW GAUGE OIL	1
			JZ541269	CIRCLIP	1
			39199020	BEARING - NEEDLE	1
			39104119	SEAL - OIL	1
PD541316	PLUG	1			

