

CT100 KS



THE WORLD'S
FAVOURITE
INDIAN

CT100 KS

Bajaj Auto Limited
Akurdi Pune 411 035 India
Tel +91 20 27472851
Fax +91 20 27407385
www.bajajauto.com
CIN L65993PN2007PLC130076

Spare Parts Catalogue



All information contained in this manual is based on the latest product information at the time of publication. Bajaj Auto Limited accepts no liability for any inaccuracies or omissions in this publication, although every possible care has been taken to make it as complete and accurate as possible. All procedures and specifications subject to change without prior notice. The right is reserved to make such changes at any time without prior notice and without incurring an obligation to make such changes to product manufactured previously. Contact your authorized Bajaj Dealer for the latest information on product improvements incorporated after this manual was issued.

DOC. NO.: 71112902

REV. 01, JUN 19

Copy rights : All rights reserved. No part of this publication may be reproduced, stored in a retrieval system, Or transmitted in any form or by any means, electronic mechanical photocopying, recording or otherwise, without the prior written permission of Bajaj Auto LTD.

We have pleasure in presenting the Spare Parts Catalogue for 'CT 100 KS (CBS)' Motorcycle. This catalogue has been specially designed to assist you in selecting the correct parts for procurement to maintain 100% availability.

The Bajaj spares are subjected to the stringent quality control standards to ensure longer life of the vehicle. It is therefore necessary that only the Genuine Bajaj Spares are used.

In a continual effort to improve Performance and Efficiency of the vehicles, Specifications, Diagrams, Illustrations and Part Numbers can change without notice. Consequently, the description in this Spare Parts Catalogue cannot therefore be final and binding on us.

The modifications / alterations which are carried out after the issue of this catalogue, will be conveyed to you through our Service Circulars. You are requested to make necessary corrections in the Parts Catalogue as per the circulars so as to keep your catalogue up-to-date. This will ensure the appropriate and speedy delivery of the Spare Parts as the order placed will bear the latest part numbers.

In case, if you need any technical assistance contact the concerned Regional Office or write to us on the following address :

Bajaj Auto Limited

Service Department

Akurdi, Pune 411 035 India

1. How to Read the Catalogue : Open the catalogue and from the pictorial index locate the group in which the part you want to find is present. Turn over to the concerned page number (as given by pictorial index). Now find out the figure of the part you wish to order. Write down the part number against that particular figure number from the text.

In case, if you have the part number and you need the other details, the part index can be used. The part index (at the end of the catalogue) will give you the figure and page number of the part you wish to order.

2. How to Order Spare Parts : The part number and the description of the part required should be invariably mentioned in the order as per the catalogue text.

The latest part number as conveyed through our service circulars should only appear on the order. In case of ordering painted components, colour shade of the components should be mentioned.

The quantity shown against the part number is the quantity per vehicle for that group so that particular quantity should be multiplied by the number of sets required.

3. Part Number System : We have used 8 digit system for part numbers. The model or hardware item is indicated by first two digits or alphanumeric, the next two or four digits indicate main group and the last four or two digits indicate serial number in main group or serial number or subgroup of fastener respectively. Thus the part numbers will be indicated by 2-2-4 or 2-4-2 digit system. Understanding this system will enable you to identify the spare parts easily.

4. Abbreviations : The following abbreviations are used in this catalogue.

Assly	Assembly	V	Volts
N.I.	Not illustrated	W	Watts
C'case	Crankcase	Accl.	Accelerator
Cyl	Cylinder	Comp.	Complete
O/s	Over size	Fr.	Front
RR	Rear	Std.	Standard
L	Length	A/t.	Alternate
R.H.	Right hand	L.H.	Left hand
Hex.	Hexagonal	AR	As required

Plate No.	Description	Page No.
1	Cover Cylinder Head	2
2	Cylinder Head	4
3	SAI System	6
4	Valve	8
5	Camshaft / Tensioner	10
6	Cylinder and Piston	12
7	Crankshaft	14
8	Transmission	16
9	Change Drum / Shift Fork	18
10	Gear Change Mechanism	20
11	Engine Assembly / Crankcase RH	22
12	Crankcase LH	24
13	Oil Pump	26
14	Kick Starter Mechanism	28
15	Cover Clutch	30
16	Cover Magneto	32
17	Clutch Assly	34
18	Carburettor Assembly - KEIHIN Make	36
19	Carburettor Assembly - Ucal Make	38
20	Air Cleaner Complete	40
21	EVAP Mechanism	42
22	Silencer Assly	44
23	Magneto, C.D.I. & H.T. Coil	46
24	Seat Assly & Mounting	48
25	Engine Mountings	50
26	Frame and Frame Fittings	52
27	Swing Arm / Rear Shock Absorber	54
28	Foot Rest - Rider / Pillion	56
29	Mudguard - Front & Rear	58
30	Stand Assembly	60

Plate No.	Description	Page No.
31	Tyre / Tube / Rim (Alloy Wheel)	62
32	Tyre / Tube / Rim (Spoke Wheel)	64
33	Front Hub (Alloy Wheel)	66
34	Front Hub (Spoke Wheel)	68
35	Rear Hub (Alloy Wheel)	70 - 72
36	Rear Hub (Spoke Wheel)	74 - 76
37	Rear Brake Pedal	78
38	CBS - Combined Braking System	80
39	Handle Bar Assly	82 - 84
40	Front Fork	86 - 88
41	Petrol Tank Cap & Fuel Cock	90
42	Fittings - Petrol Tank, Side Cover & Seat Cowl	92
43	Meter Assembly	94
44	Control Cables	96
45	Chain Case	98
46	Head Lamp & Fairing	100
47	Indicator Light Assembly	102
48	Tail Lamp Assembly / Number Plate	104
49	Electrical Equipments	106
50	Tool Kit	108
51	Accessories / Grab Handle	110
52	Painted Parts & Decals	112 - 114
53	Consumable Parts	116 - 118
	Kits List	119 - 122
	Part Index	123 - 138

<p>PLATE NO. : 1 COVER CYLINDER HEAD</p>	<p>PAGE NO. 1</p>	<p>PLATE NO. : 2 CYLINDER HEAD</p>	<p>PAGE NO. 3</p>

<p>PLATE NO. : 3 SAI SYSTEM</p>	<p>PAGE NO. 5</p>	<p>PLATE NO. : 4 VALVE</p>	<p>PAGE NO. 7</p>

<p>PLATE NO. : 5 CAMSHAFT / TENSIONER</p>	<p>PAGE NO. 9</p>	<p>PLATE NO. : 6 CYLINDER AND PISTON</p>	<p>PAGE NO. 11</p>

<p>PLATE NO. : 7 CRANKSHAFT</p>	<p>PAGE NO. 13</p>	<p>PLATE NO. : 8 TRANSMISSION</p>	<p>PAGE NO. 15</p>

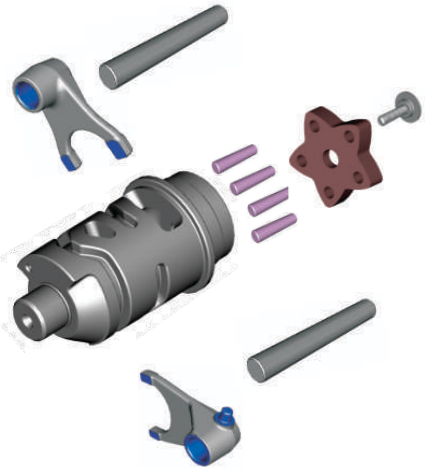
PLATE NO. : 9 CHANGE DRUM / SHIFT FORK	PAGE NO. 17
	

PLATE NO. : 10 GEAR CHANGE MECHANISM	PAGE NO. 19
	

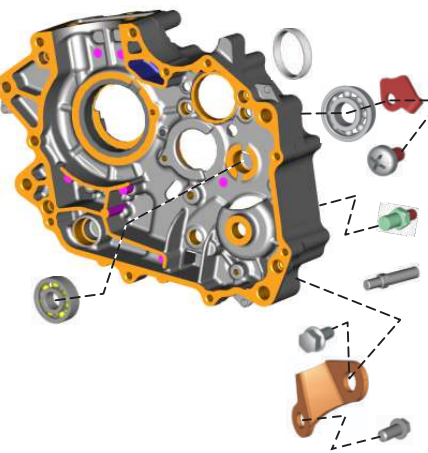
PLATE NO. : 11 ENGINE ASSEMBLY / CRANKCASE RH	PAGE NO. 21
	

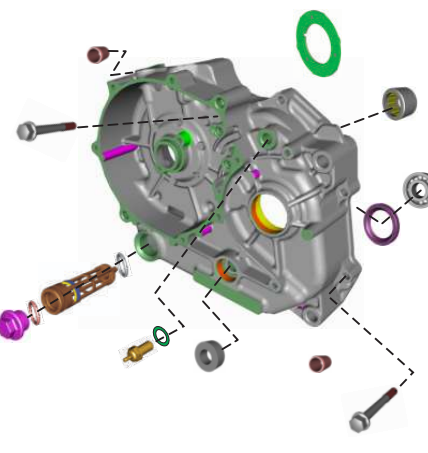
PLATE NO. : 12 CRANKCASE LH	PAGE NO. 23
	

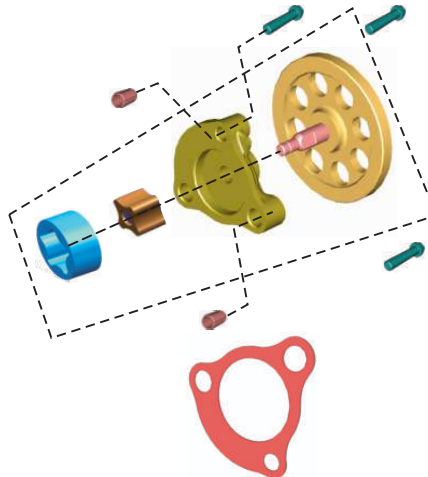
PLATE NO. : 13 OIL PUMP	PAGE NO. 25
	

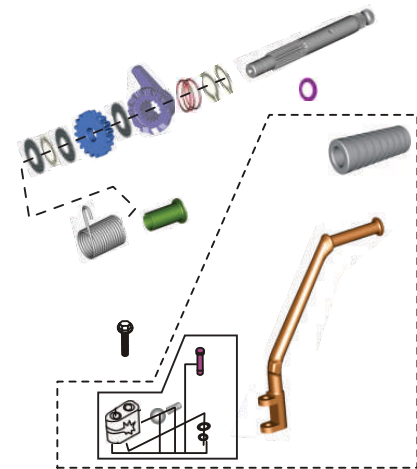
PLATE NO. : 14 KICK STARTER MECHANISM	PAGE NO. 27
	

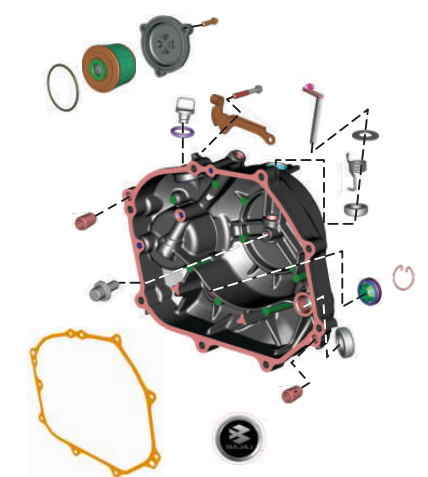
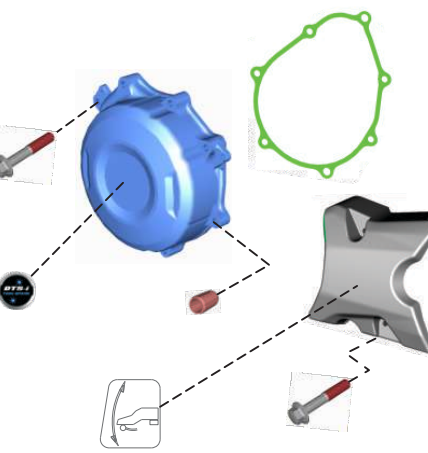
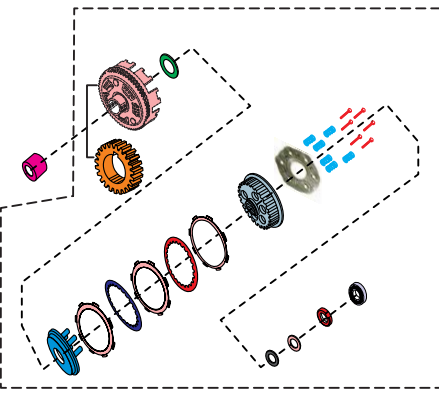
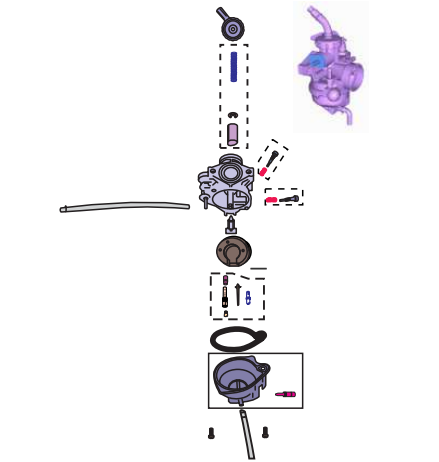
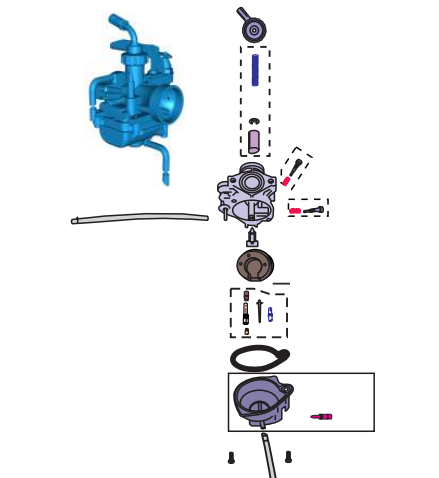
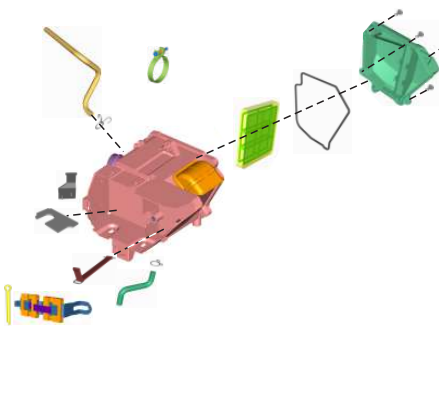
PLATE NO. : 15 COVER CLUTCH	PAGE NO. 29
	

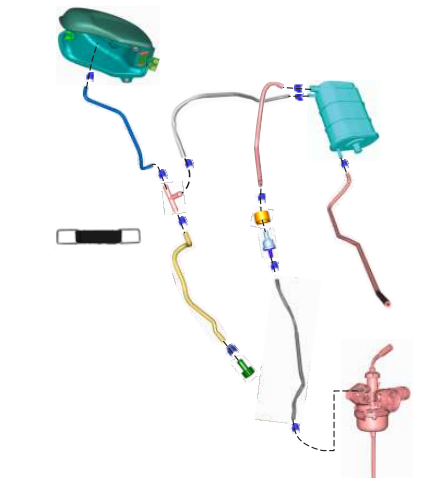
PLATE NO. : 16 COVER MAGNETO	PAGE NO. 31
	

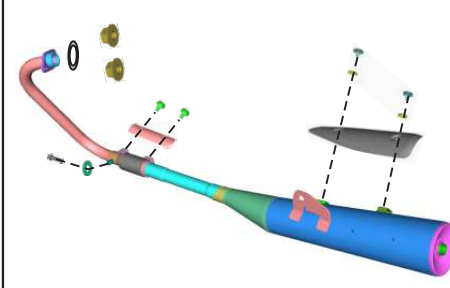
<p>PLATE NO. : 17 CLUTCH ASSLY</p>	<p>PAGE NO. 33</p>
	

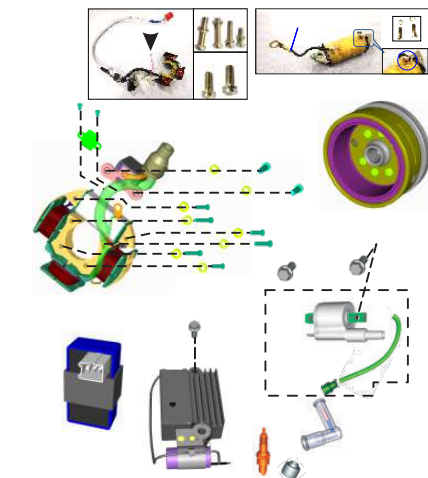
<p>PLATE NO. : 18 CARBURETTOR ASSEMBLY - KEIHIN Make</p>	<p>PAGE NO. 35</p>
	

<p>PLATE NO. : 19 CARBURETTOR ASSEMBLY - Ucal Make</p>	<p>PAGE NO. 37</p>
	

<p>PLATE NO. : 20 AIR CLEANER COMPLETE</p>	<p>PAGE NO. 39</p>
	

<p>PLATE NO. : 21 EVAP MECHANISM</p>	<p>PAGE NO. 41</p>
	

<p>PLATE NO. : 22 SILENCER ASSLY</p>	<p>PAGE NO. 43</p>
	

<p>PLATE NO. : 23 MAGNETO, C.D.I. & H.T. COIL</p>	<p>PAGE NO. 45</p>
	

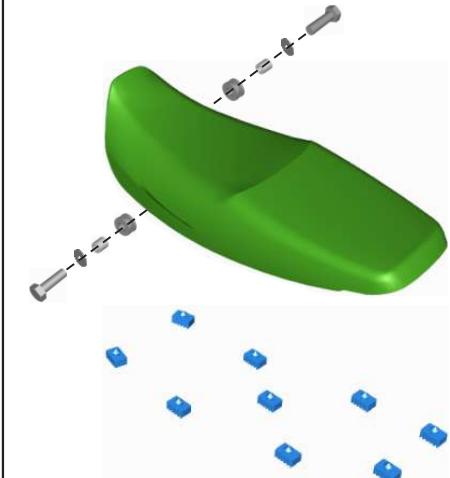
<p>PLATE NO. : 24 SEAT ASSLY & MOUNTING</p>	<p>PAGE NO. 47</p>
	

PLATE NO. : 25
ENGINE MOUNTINGS

PAGE NO.
49

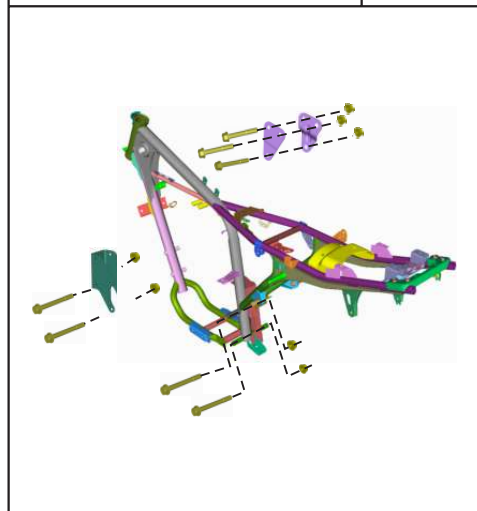


PLATE NO. : 26
FRAME AND FRAME FITTING

PAGE NO.
51

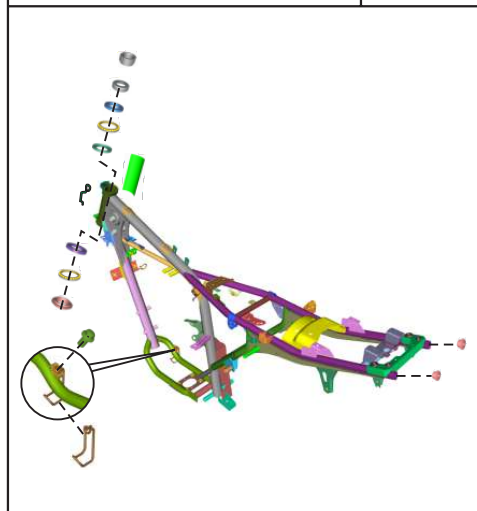


PLATE NO. : 27
SWING ARM /
REAR SHOCK ABSORBER

PAGE NO.
53

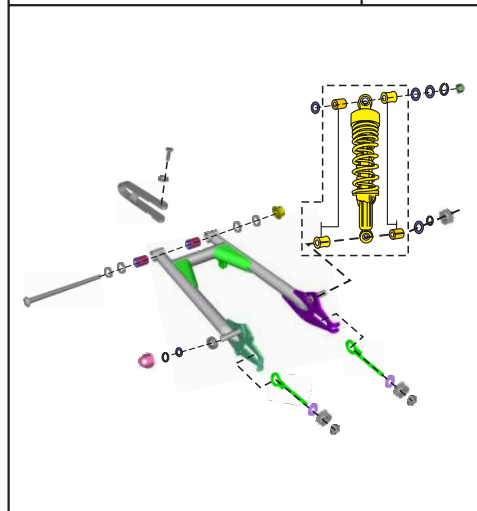


PLATE NO. : 28
FOOT REST - RIDER / PILLION

PAGE NO.
55

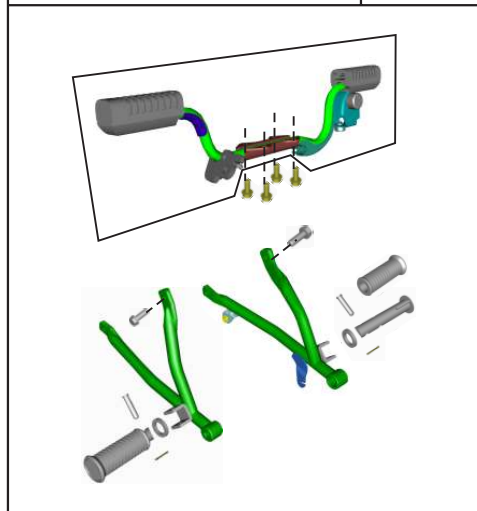


PLATE NO. : 29
MUDGUARD - FRONT & REAR

PAGE NO.
57

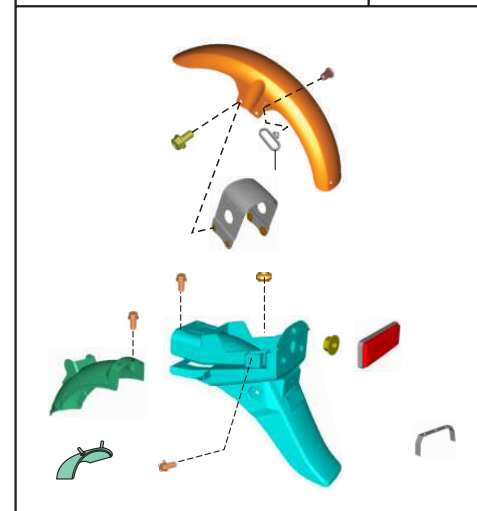


PLATE NO. : 30
STAND ASSEMBLY

PAGE NO.
59

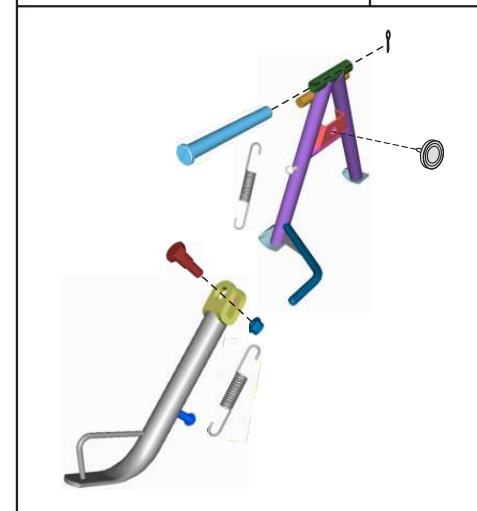


PLATE NO. : 31
TYRE / TUBE / RIM (Alloy Wheel)

PAGE NO.
61

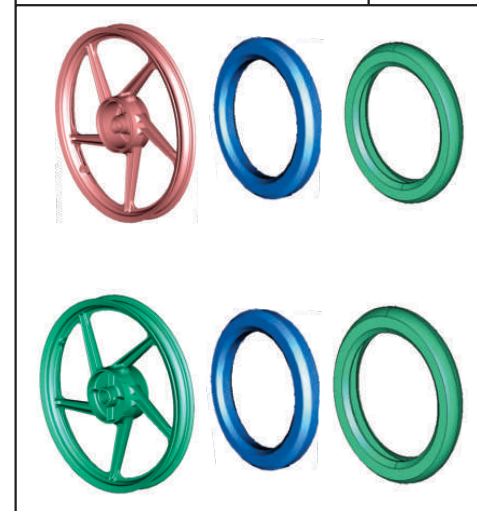


PLATE NO. : 32
TYRE / TUBE / RIM (Spoke Wheel)

PAGE NO.
63

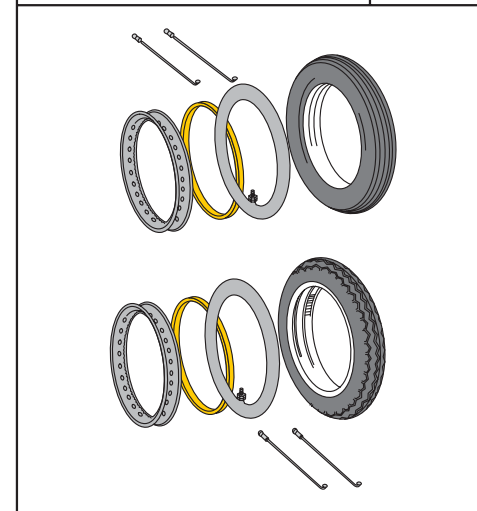


PLATE NO. : 33 FRONT HUB (Alloy Wheel)	PAGE NO. 65
---	----------------

PLATE NO. : 34 FRONT HUB (Spoke Wheel)	PAGE NO. 67
---	----------------

PLATE NO. : 35 REAR HUB (Alloy Wheel)	PAGE NO. 69 - 71
--	---------------------

PLATE NO. : 36 REAR HUB (Spoke Wheel)	PAGE NO. 73 - 75
--	---------------------

PLATE NO. : 37 REAR BRAKE PEDAL	PAGE NO. 77
------------------------------------	----------------

PLATE NO. : 38 CBS - Combined Braking System	PAGE NO. 79
---	----------------

PLATE NO. : 39 HANDLE BAR ASSLY	PAGE NO. 81 - 83
------------------------------------	---------------------

PLATE NO. : 40 FRONT FORK	PAGE NO. 85 - 87
------------------------------	---------------------

<p>PLATE NO. : 41 PETROL TANK CAP & FUEL COCK</p>	<p>PAGE NO. 89</p>

<p>PLATE NO. : 42 FITTINGS - PETROL TANK, SIDE COVER & SEAT COWL</p>	<p>PAGE NO. 91</p>

<p>PLATE NO. : 43 METER ASSEMBLY</p>	<p>PAGE NO. 93</p>

<p>PLATE NO. : 44 CONTROL CABLES</p>	<p>PAGE NO. 95</p>

<p>PLATE NO. : 45 CHAIN CASE</p>	<p>PAGE NO. 97</p>

<p>PLATE NO. : 46 HEAD LAMP & FAIRING</p>	<p>PAGE NO. 99</p>

<p>PLATE NO. : 47 INDICATOR LIGHT ASSEMBLY</p>	<p>PAGE NO. 101</p>

<p>PLATE NO. : 48 TAIL LAMP ASSEMBLY / NUMBER PLATE</p>	<p>PAGE NO. 103</p>

PLATE NO. : 49 ELECTRICAL EQUIPMENTS	PAGE NO. 105

PLATE NO. : 50 TOOL KIT	PAGE NO. 107

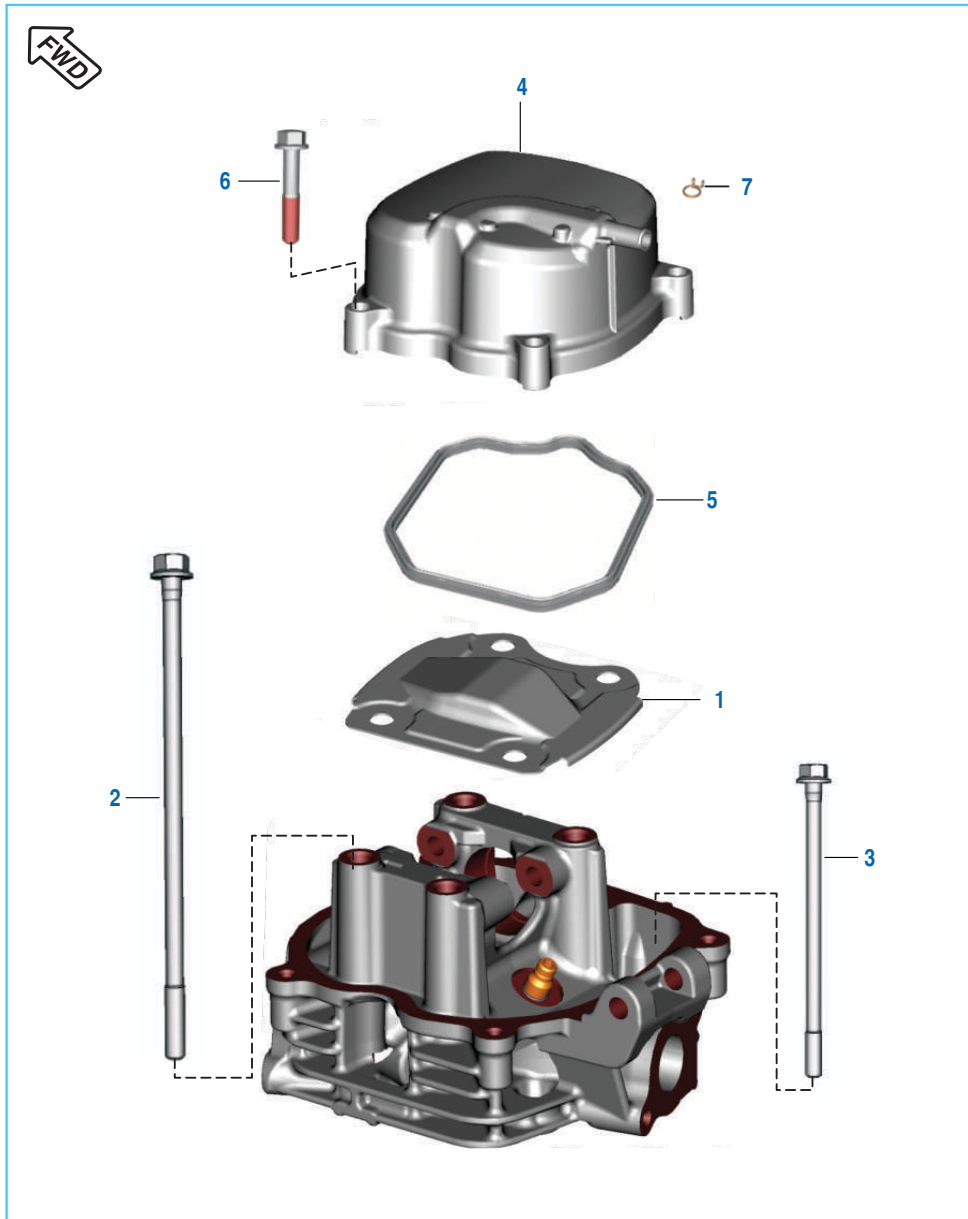
PLATE NO. : 51 ACCESSORIES / GRAB HANDLE	PAGE NO. 109

PLATE NO. : 52 PAINTED PARTS & DECALS	PAGE NO. 111 - 113

PLATE NO. : 53 CONSUMABLE PARTS	PAGE NO. 115

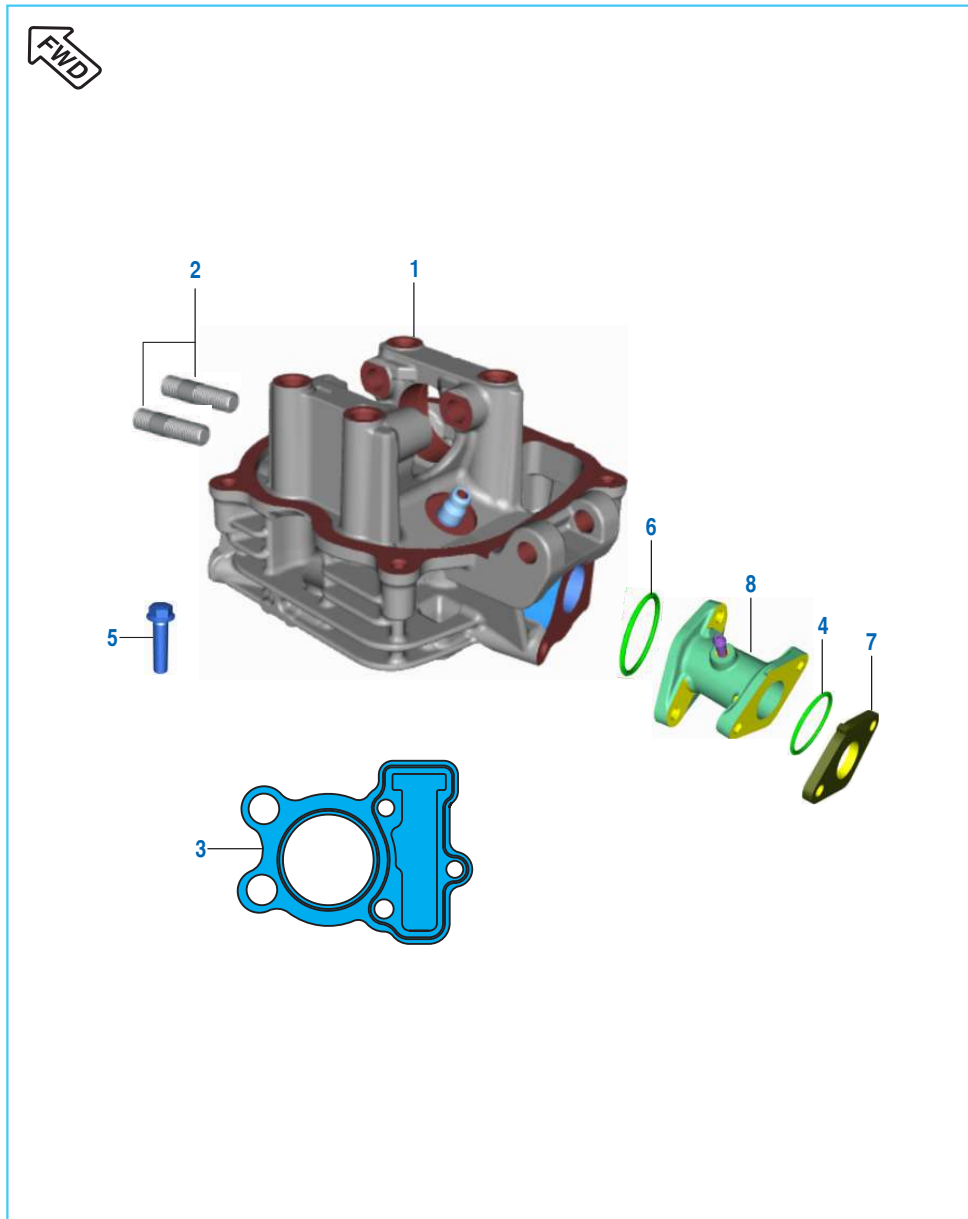
PLATE NO. : 53 CONSUMABLE PARTS	PAGE NO. 117

Cover Cylinder Head



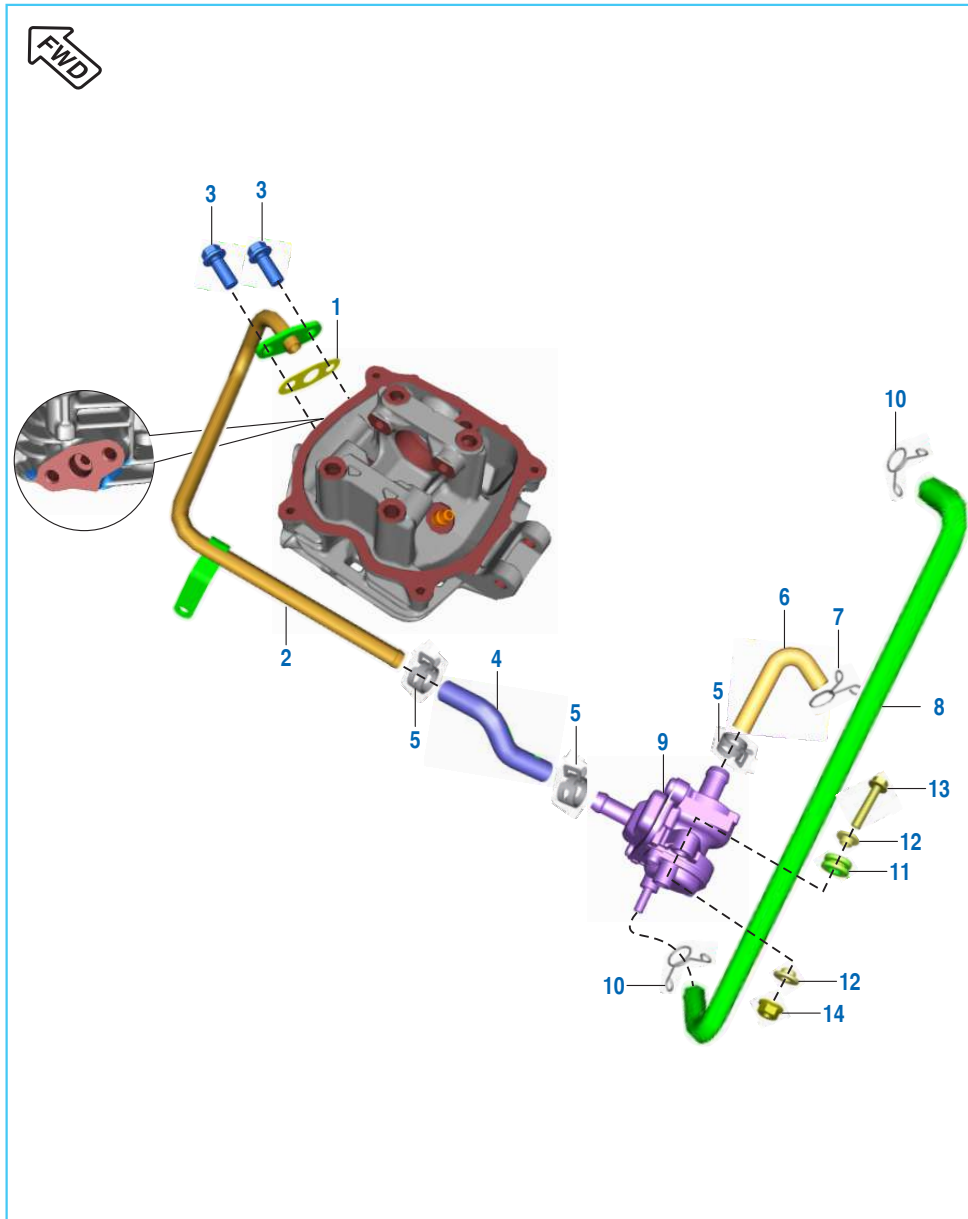
No.	Part No.	Description	CT100 KS	Remarks
1	JV 5110 11	Plate cylinder head	1	
2	JV 5410 07	Bolt Flanged - M6 x 1 x L35	4	
3	JB 5110 15	Bolt head mounting	1	
4	JV 5110 13	Cover cylinder head complete	1	
5	JV 5110 12	Gasket cylinder head cover	1	
6	59 0400 38	Bolt flanged - M6 x 1 x L35	4	
7	DG 1210 40	Clamp	1	

Cylinder Head



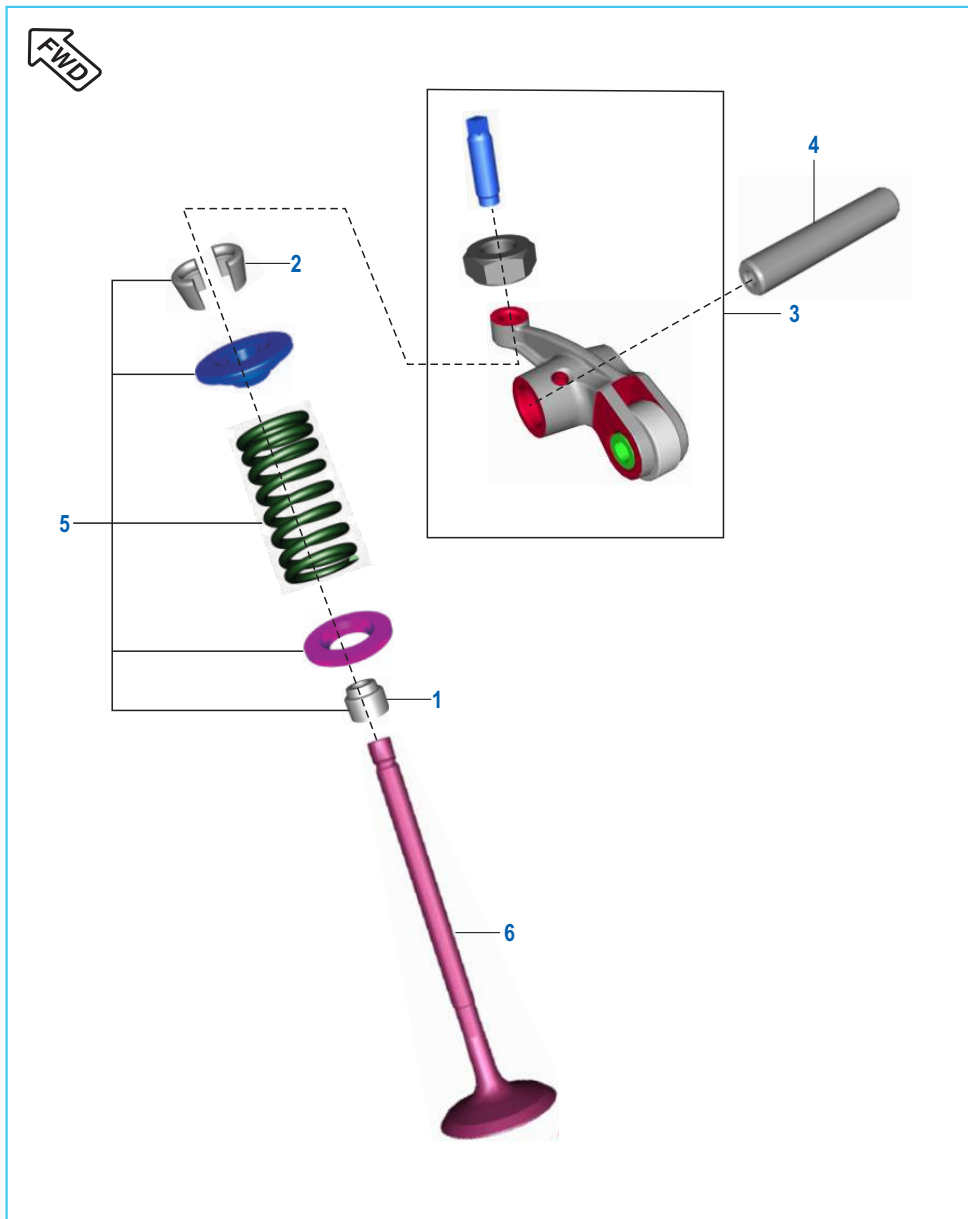
No.	Part No.	Description	CT100 KS	Remarks
1	PF 5111 33	Head cylinder	1	
2	39 1660 05	Stud - M8	2	
3	JB 5110 19	Gasket cylinder head disco-94	1	
4	JB 5812 72	Seal o ring insulator disco - M	1	
5	KA ED06 25	Bolt flanged small	4	
6	LJ A000 11	Ring o - id 28.7 x sect. Dia. 1.9	1	
7	PA 5812 24	Insulator carb PTE	1	
8	PF 5814 24	Manifold assembly intake	1	

SAI System



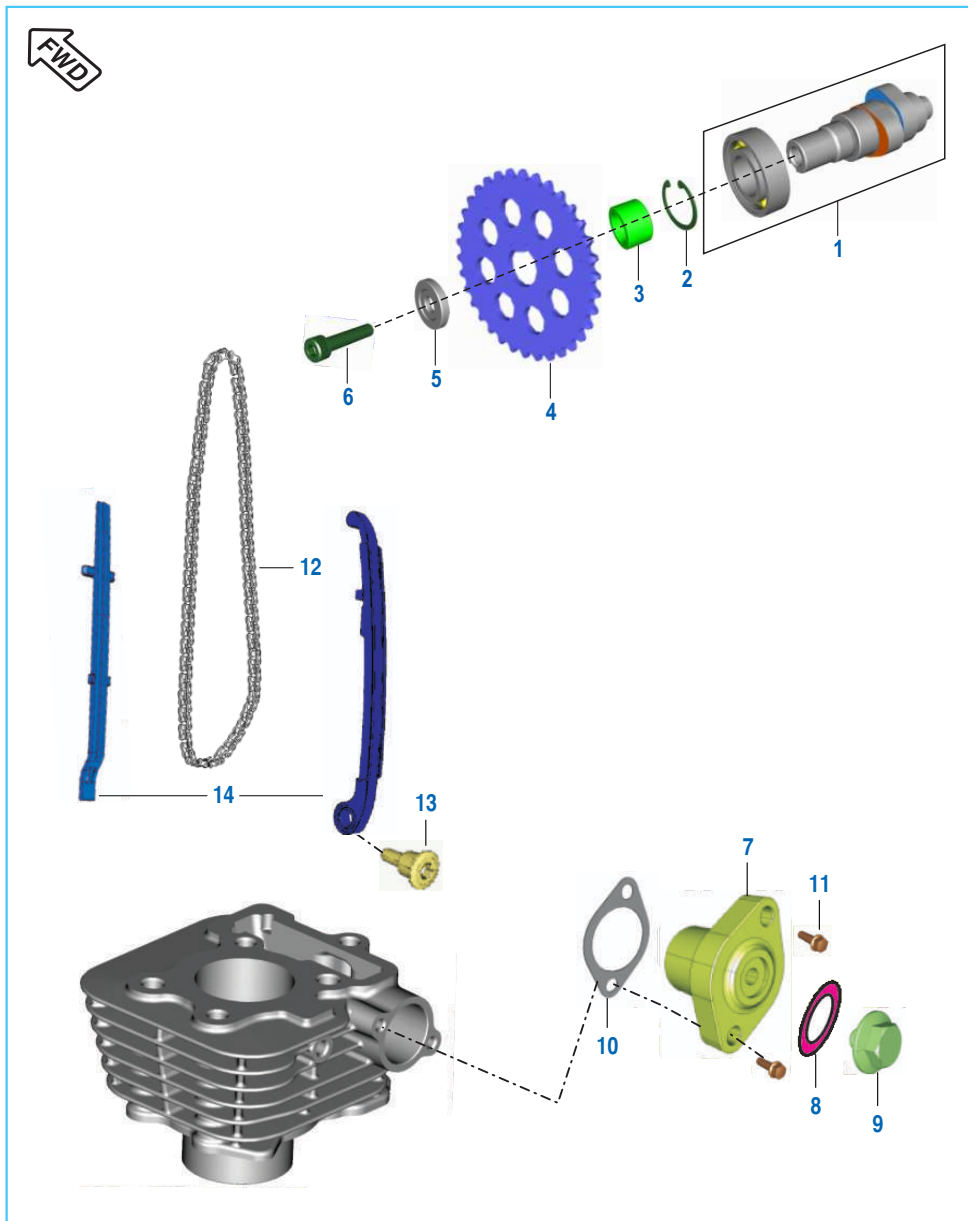
No.	Part No.	Description	CT100 KS	Remarks
1	JE 5110 67	Gasket SAI flange	1	
2	PF 5824 04	Tube outlet SAI	1	
3	KA EG06 14	Bolt flanged small	2	
4	DY 5824 01	Hose connector	1	
5	JL 5810 66	Clamp SAI pipe	3	
6	DY 5824 02	Hose intake SAI	1	
7	DP 1210 18	Clamp	1	
8	DY 5824 03	Hose manifold SAI	1	
9	JH 5822 00	Assembly SAI unit	1	
10	DG 1210 03	Clamp	2	
11	JD 1138 14	Grommet SAI unit	2	
12	JD 1138 15	Sleeve SAI unit	4	
13	KA DA06 30	Bolt flanged	2	
14	KC GA06 06	Nut hex flanged	2	

Valve



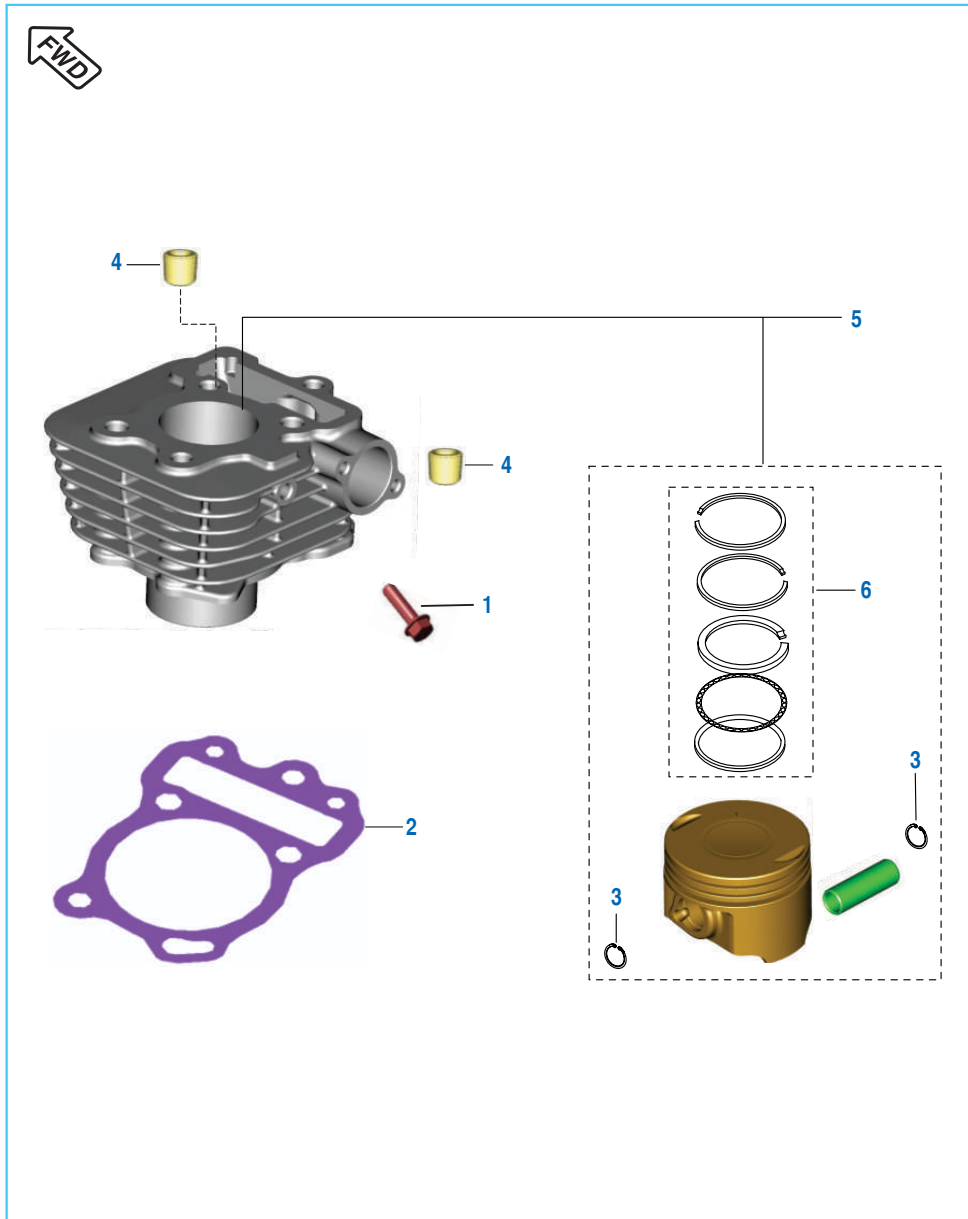
No.	Part No.	Description	CT100 KS	Remarks
1	CB 1010 09	Seal valve stem	2	
2	CB 1010 22	Cotter valve	4	
3	DU 1010 60	Arm - rocker with roller	2	
4	JH 5112 12	Shaft rocker arm	2	
5	36 JV00 06	Valve repair kit	1	Refer kit list
6	36 DU40 76	Kit valve intake + exhaust	1	Refer kit list

Camshaft / Tensioner



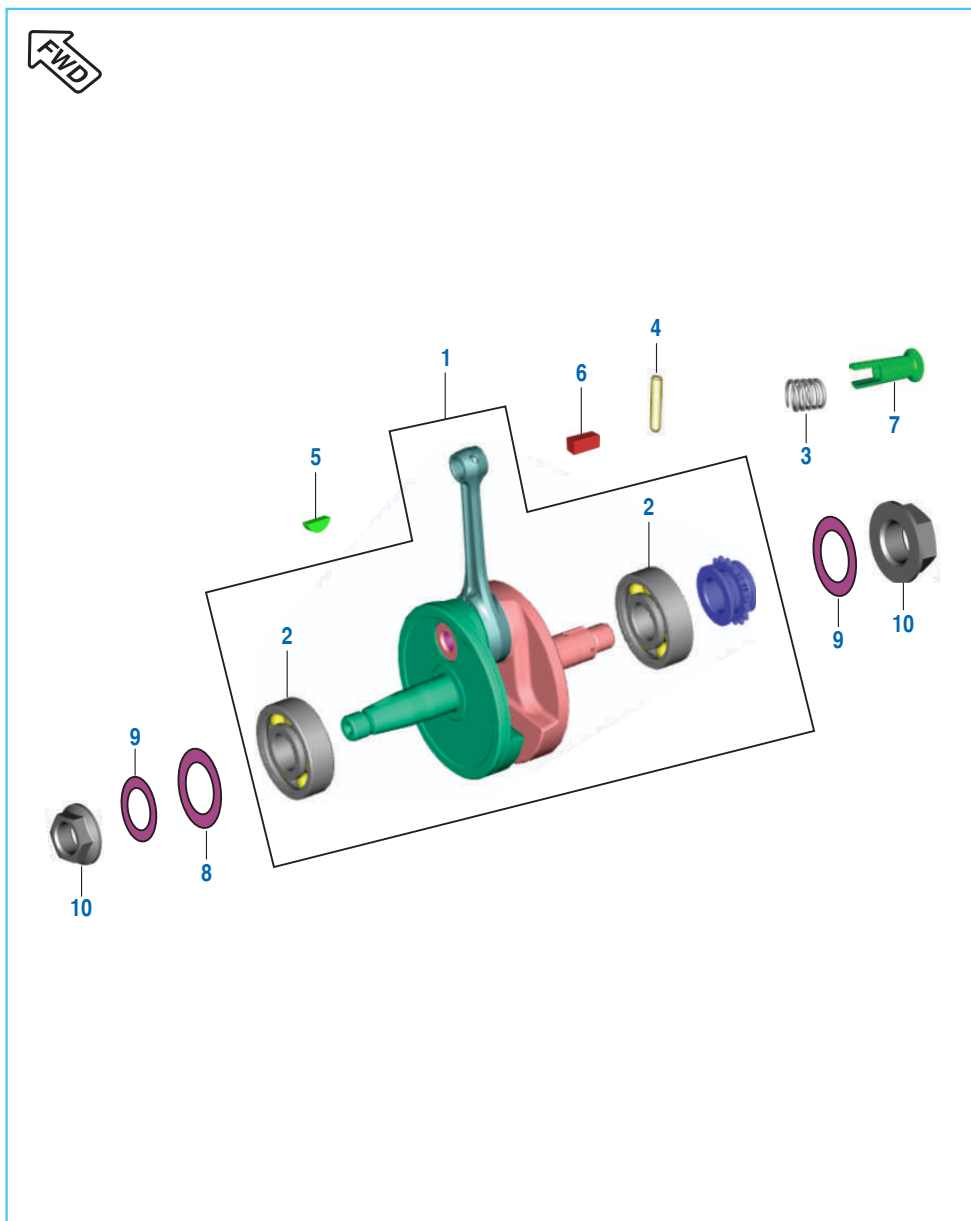
No.	Part No.	Description	CT100 KS	Remarks
1	PF 5112 09	Assembly camshaft	1	
2	39 0594 17	Internal circlip	1	
3	JA 5112 16	Spacer cam sprocket	1	
4	PF 5112 03	Sprocket cam	1	
5	DH 1010 48	Special camshaft washer	1	
6	DK 1013 86	Precoated Soc HD cap bolt M8 x 40	1	
7	JE 5210 16	Tensioner chain	1	
8	39 2669 21	O-ring	1	
9	DD 1010 62	Bolt	1	
10	CS 1011 28	Gasket	1	
11	KA ED06 20	Bolt flanged small	2	
12	DS 1099 05	Cam chain (94 links)	1	
13	DH 1013 92	Cam chain tensioner pivot bolt	1	
14	36 PF00 61	Kit cam chain guide	1	Refer kit list

Cylinder and Piston



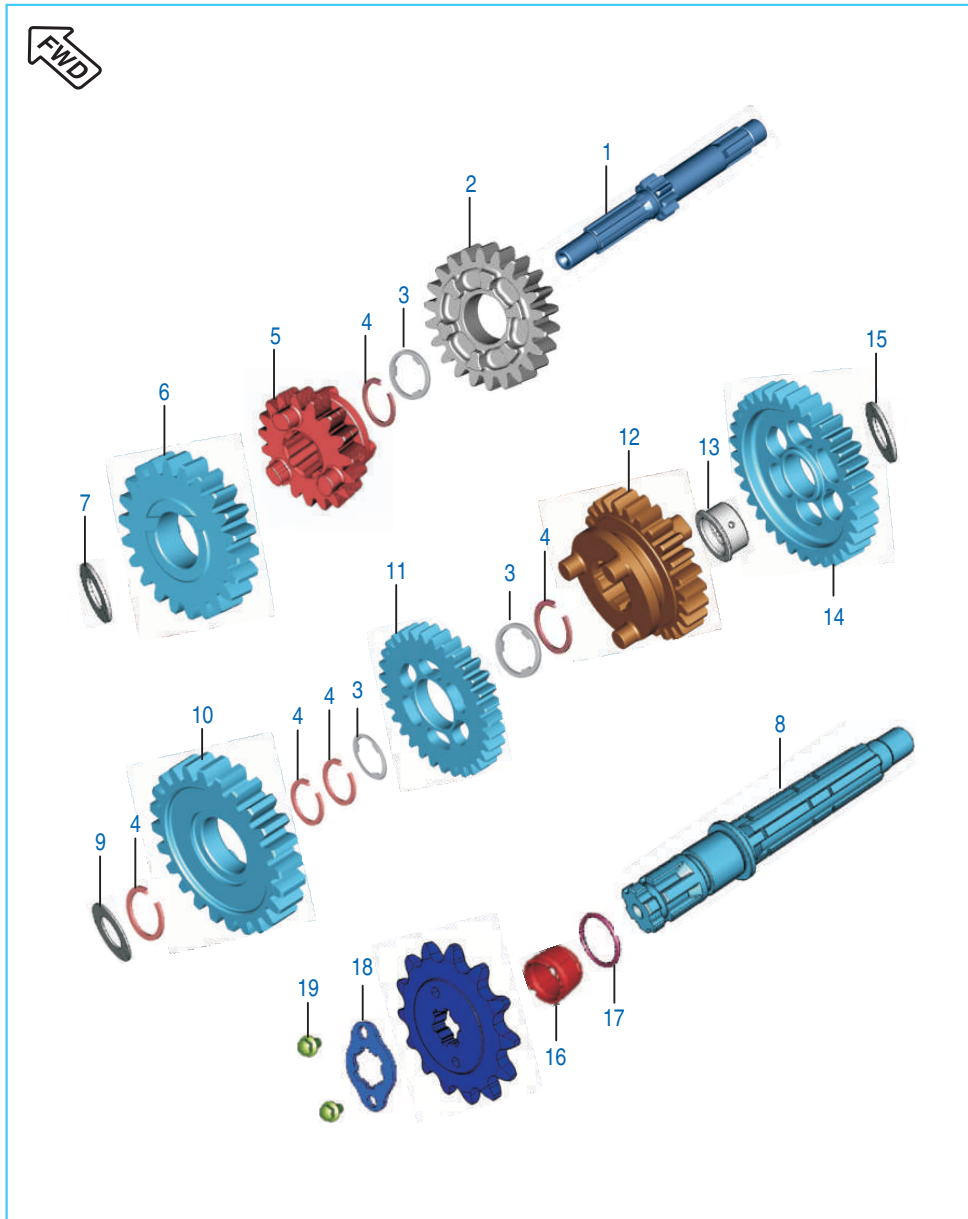
No.	Part No.	Description	CT100 KS	Remarks
1	39 2671 04	Hexagon bolt with flange	1	
2	JH 5210 07	Gasket cylinder block	1	
3	PA 5212 14	Circlip piston	2	
4	39 1000 06	Hollow dowel pin	2	
5	36 PF00 45	Kit cylinder block & piston	1	Refer kit list
6	36 PF01 18	Kit piston rings	1	Refer kit list
	36 PF00 62	Kit piston ring set	1	Refer kit list

Crankshaft



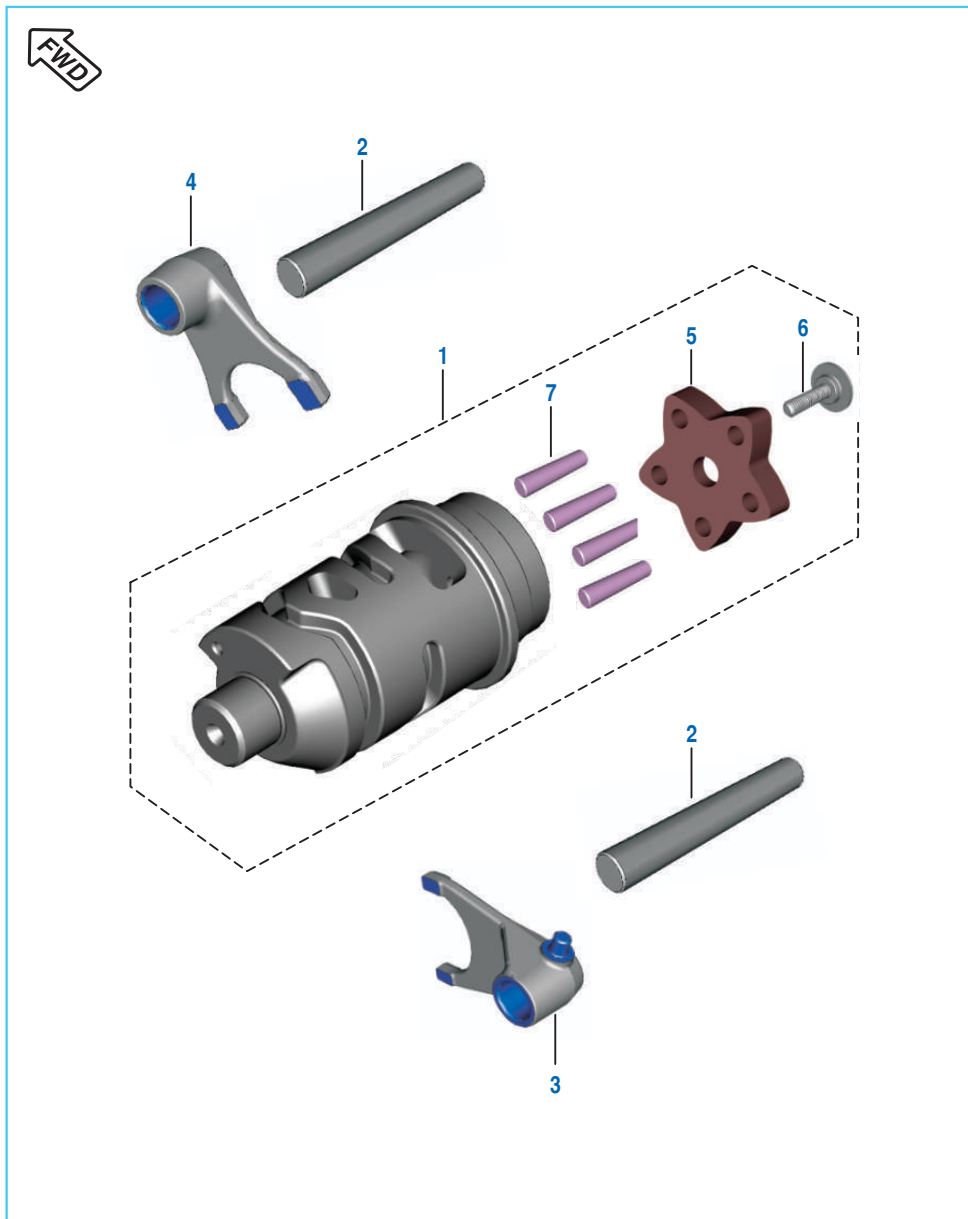
No.	Part No.	Description	CT100 KS	Remarks
1	PF 5310 31	Crankshaft assembly	1	
2	39 1864 20	Ball bearing 20 x 52 x 15	2	
3	JA 5310 12	Spring	1	
4	JA 5310 15	Pin (C/S plunger)	1	
5	31 1011 73	Key wood ruff	1	
6	DS 1011 54	Key	1	
7	JB 5310 21	Plunger oil crankshaft	1	
8	59 1100 08	Plain washer	1	
9	59 1200 03	Beleville washer	2	
10	59 1500 14	Nut hex flange - M14	2	

Transmission



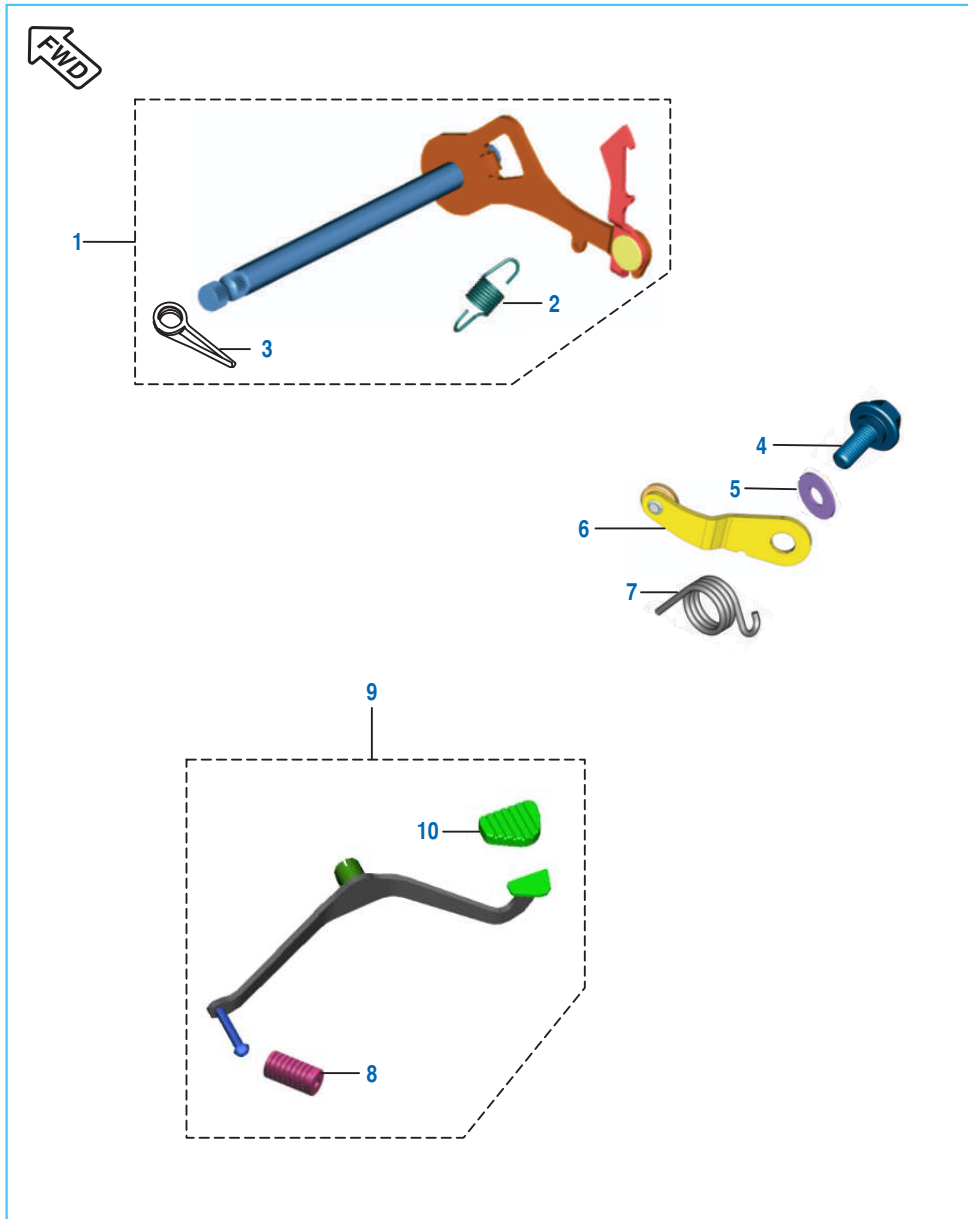
No.	Part No.	Description	CT100 KS	Remarks
1	PA 5510 02	Shaft Input	1	
2	PA 5512 07	Gear 4th Drive	1	
3	JA 5510 02	Spline Washer	3	
4	39 0987 17	Ring - Snap	5	
5	PF 5512 01	Gear 3rd Drive	1	
6	PF 5512 00	Gear 2nd Drive	1	
7	JA 5510 04	Washer Thrust 2nd Drive	1	
8	PF 5510 03	Shaft Output	1	
9	PF 5512 06	Washer Gear 2nd Driven	1	
10	PF 5512 03	Gear 2nd Driven	1	
11	PF 5512 04	Gear 3rd Driven	1	
12	PA 5512 06	Gear 4th Driven	1	
13	JZ 5512 05	Bush 1st Driven	1	
14	PA 5512 05	Gear 1st Driven	1	
15	JA 5510 08	Washer Thrust	1	
16	JA 5510 09	Collar Sprocket Drive	1	
17	59 2100 24	O-Ring	1	
18	DU 1012 13	Plate Lock-sprocket output	1	
19	DS 1013 55	Bolt Flanged	1	

Change Drum / Shift Fork



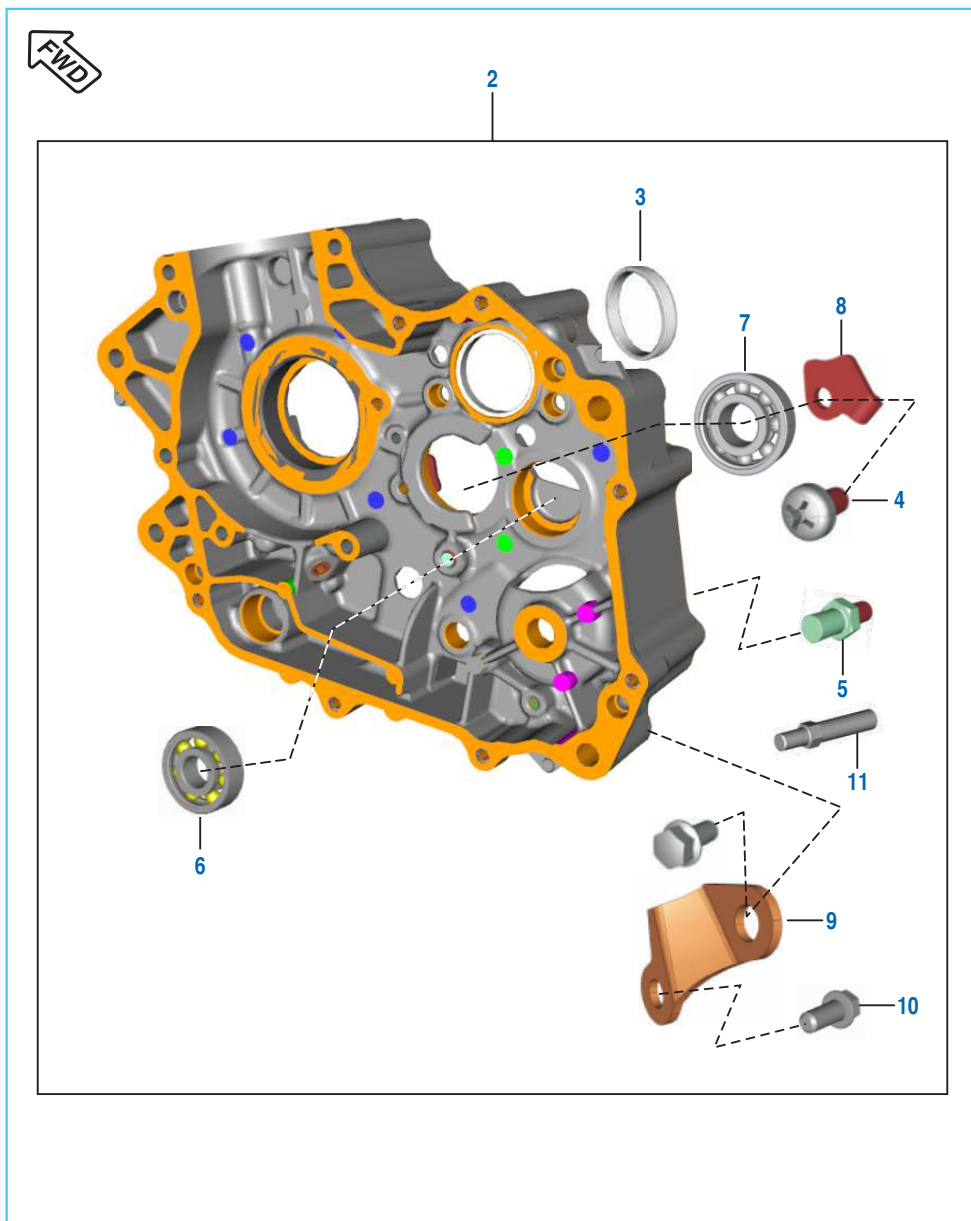
No.	Part No.	Description	CT100 KS	Remarks
1	PF 5610 00	Drum assly comp	1	
2	PF 5610 02	Shaft fork shift	2	
3	JD 5610 04	Fork gear shift output	1	
4	JZ 5610 02	Fork input disco - h	1	
5	JA 5610 02	Cam drum change	1	
6	JD 5610 11	Special bolt drum change M6 x 1	1	
7	39 0992 06	Dowel	5	

Gear Change Mechanism



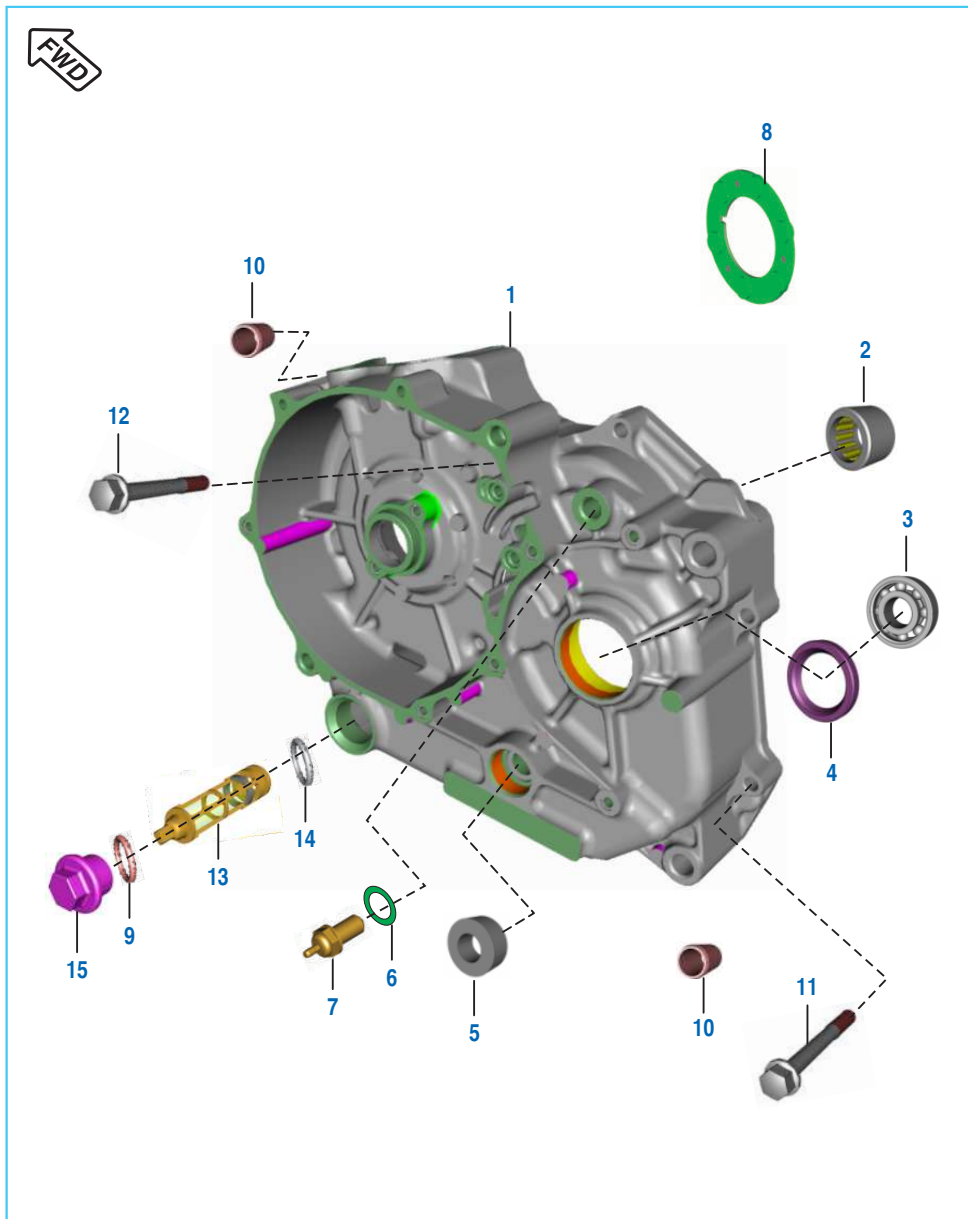
No.	Part No.	Description	CT100 KS	Remarks
1	PF 5612 00	Lever gear shift comp	1	
2	JW 5612 06	Extension spring	1	
3	JW 5612 08	Spring gear shift return	1	
4	BF 5612 19	Bolt detent lever	1	
5	LD B000 44	Washer plain	1	
6	JH 5612 00	Inhibitor gearshift	1	
7	PF 5612 03	Spring inhibitor	1	
8	DH 1015 09	Damper	1	
9	DY 5614 00	Lever gear shift assembly	1	
10	JH 5614 04	Rubber damper	1	

Engine Assembly / Crankcase RH



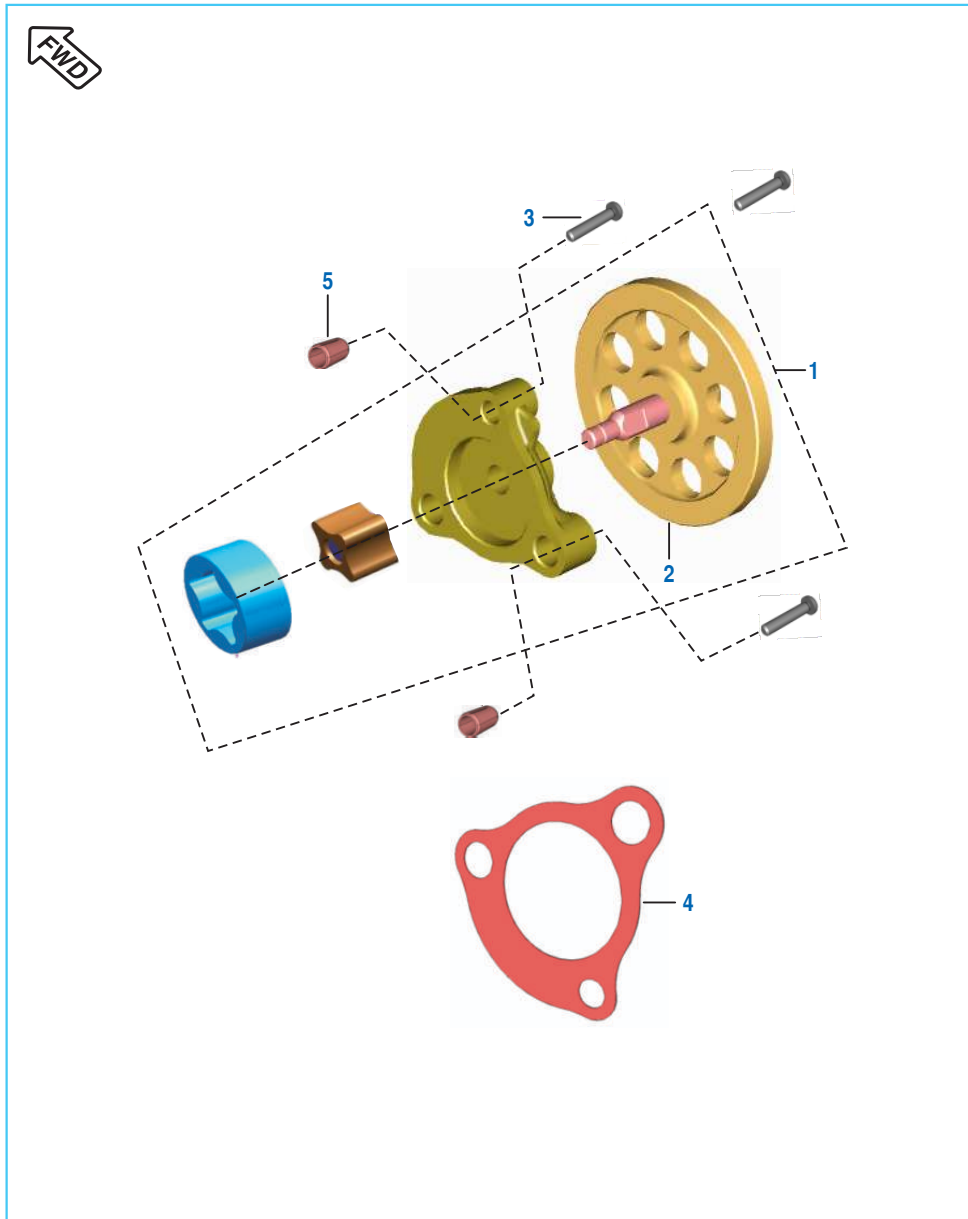
No.	Part No.	Description	CT100 KS	Remarks
1	PF 5010 80	Engine assembly	1	
2	36 DU40 77	Kit assly crankcase RH	1	Refer kit list
3	PF 5410 18	Bushing drum	1	
4	JG 1312 20	Screw pan head (M6 x 12)	1	
5	JA 5410 14	Bolt shift change	1	
6	KP BF62 01	Bearing ball C3 clearances	1	
7	KP BF62 03	Bearing Ball - C3 Clearance - HN3	1	
8	JA 5410 10	Stopper plate input bearing	1	
9	JA 5410 12	Guide kick	1	
10	LA E000 15	Bolt Flanged - M6 x 1 x L14	2	
11	JE 5410 28	Pin	1	

Crankcase LH



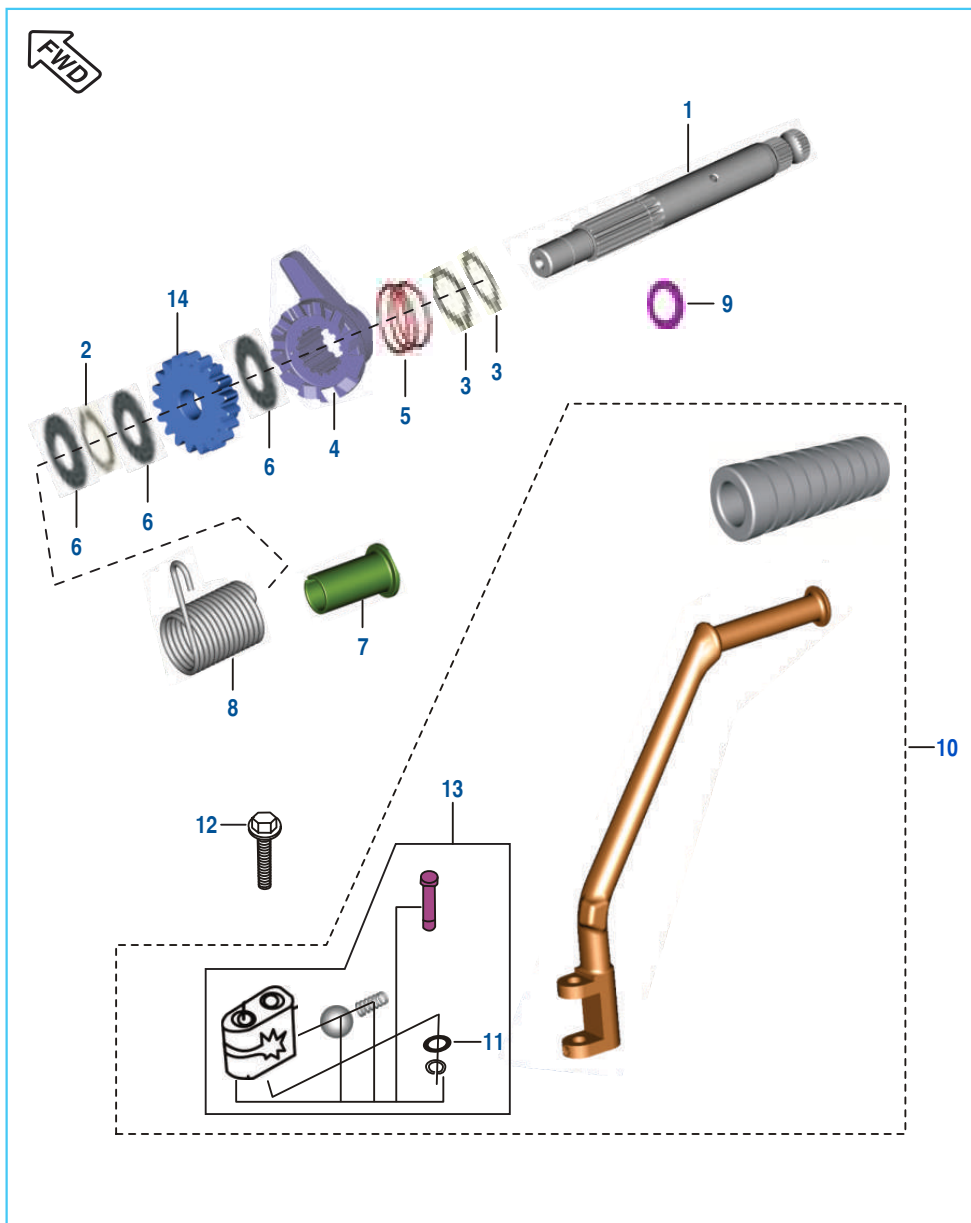
No.	Part No.	Description	CT100 KS	Remarks
1	PF 5410 83	Assembly crankcase LH	1	
2	39 2562 20	Needle roller bearing	1	
3	KP BF62 03	Bearing Ball - C3 Clearance - HN3	1	
4	39 1715 19	Oil seal 22 x 35 x 7	1	
5	39 2190 19	Oil seal	1	
6	DH 1017 84	Gasket neutral switch	1	
7	31 2010 81	Switch complete	1	
8	PF 5410 43	Damper crankshaft	1	
9	59 2100 23	O - ring	1	
10	39 1000 06	Hollow dowel pin	4	
11	JV 5410 07	Bolt flanged - M6 x 1 x L35	6	
12	KA ED06 55	Bolt (M6 x 1 x 55L)	1	
13	JG 5710 24	Mesh oil filter assembly G2	1	
14	LJ A000 04	Strainer o ring	1	
15	JV 5410 06	Cap strainer	1	

Oil Pump



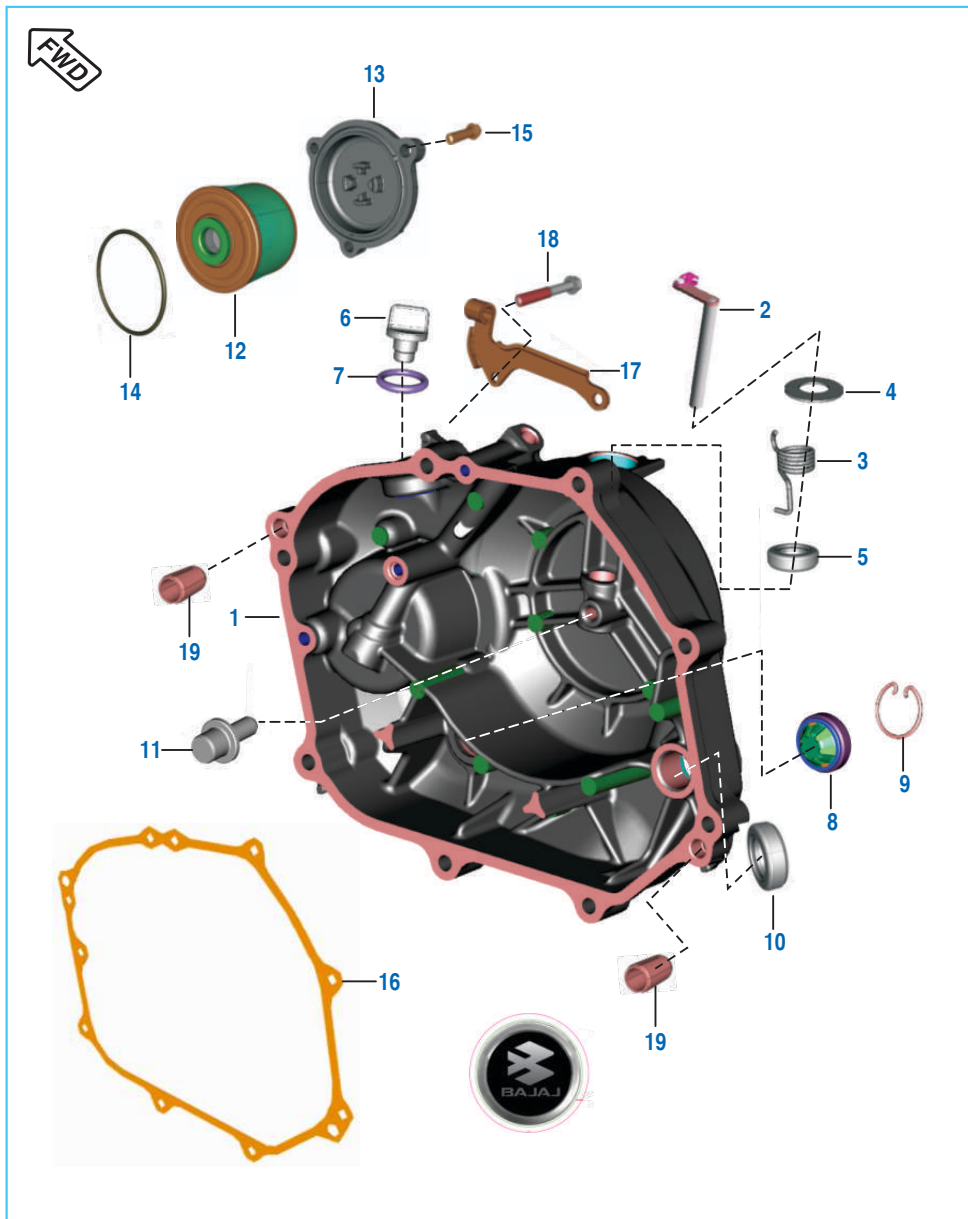
No.	Part No.	Description	CT100 KS	Remarks
1	JB 5710 05	Assembly oil pump	1	
2	JB 5710 06	Gear oil pump	1	
3	FD 1010 78	Pan head screw - M6 x 1 x 30L	3	
4	JA 5410 16	Gasket case oil pump	1	
5	39 0999 06	Pin dowel - oil pump	2	

Kick Starter Mechanism



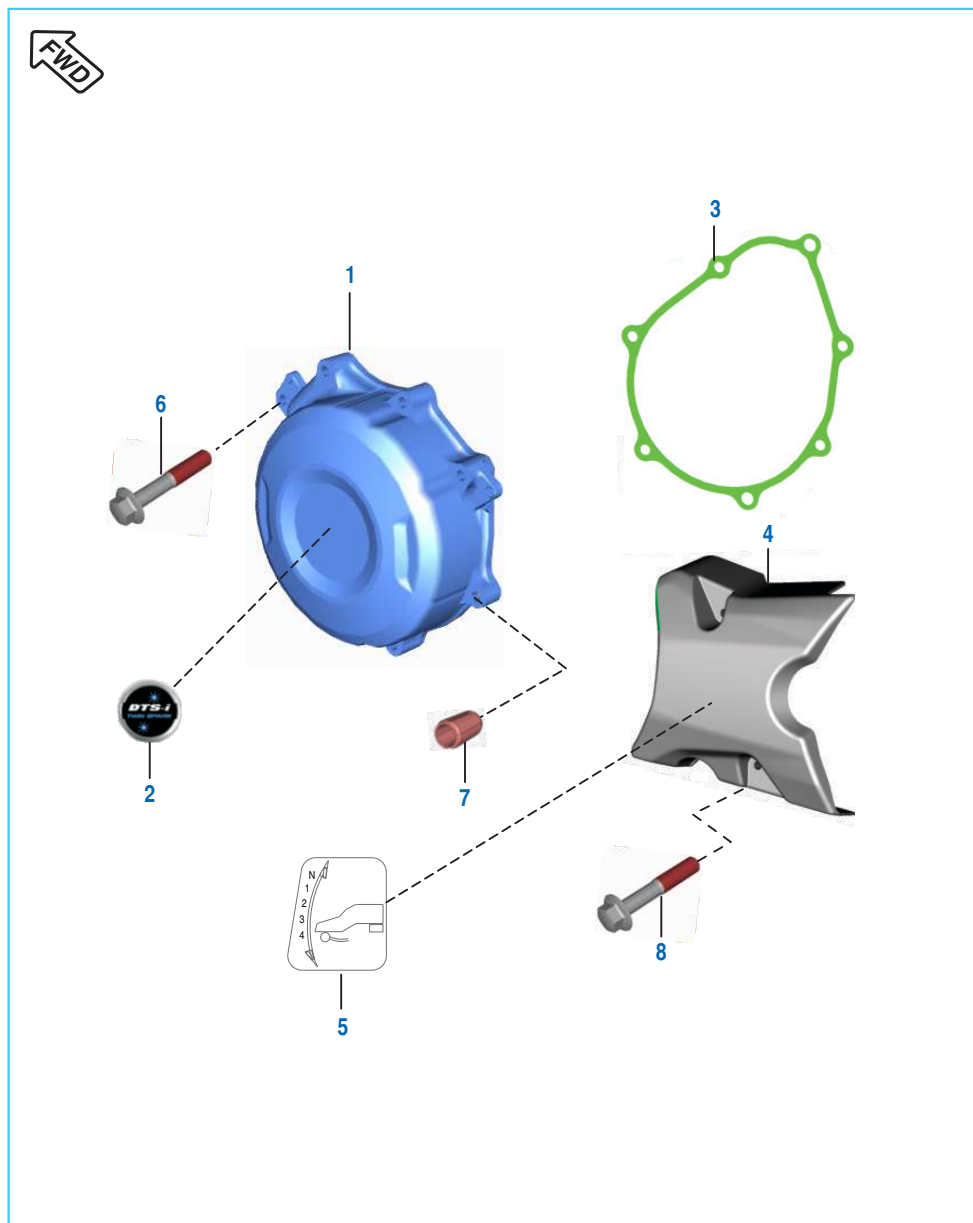
No.	Part No.	Description	CT100 KS	Remarks
1	PF 6210 03	Kick shaft	1	
2	39 2408 17	External circlip	1	
3	39 0738 17	External circlip type C	1	
4	JA 6210 02	Ratchet	1	
5	DS 1011 17	Spring kick starter ratchet	1	
6	39 0993 11	Plain washer	3	
7	JE 6210 04	Sleeve	1	
8	JE 6210 03	Spring	1	
9	JA 6210 06	Washer thrust (16.2 x 25 x 0.5)	1	
10	DU 1010 50	Lever assembly complete - kick	1	
11	22 1502 41	Washer – plain	1	
12	JA 6212 06	Bolt flange	1	
13	36 DU10 07	Boss kick set	1	Refer kit list
14	PA 6210 05	Assembly gear kick pinion	1	

Cover Clutch



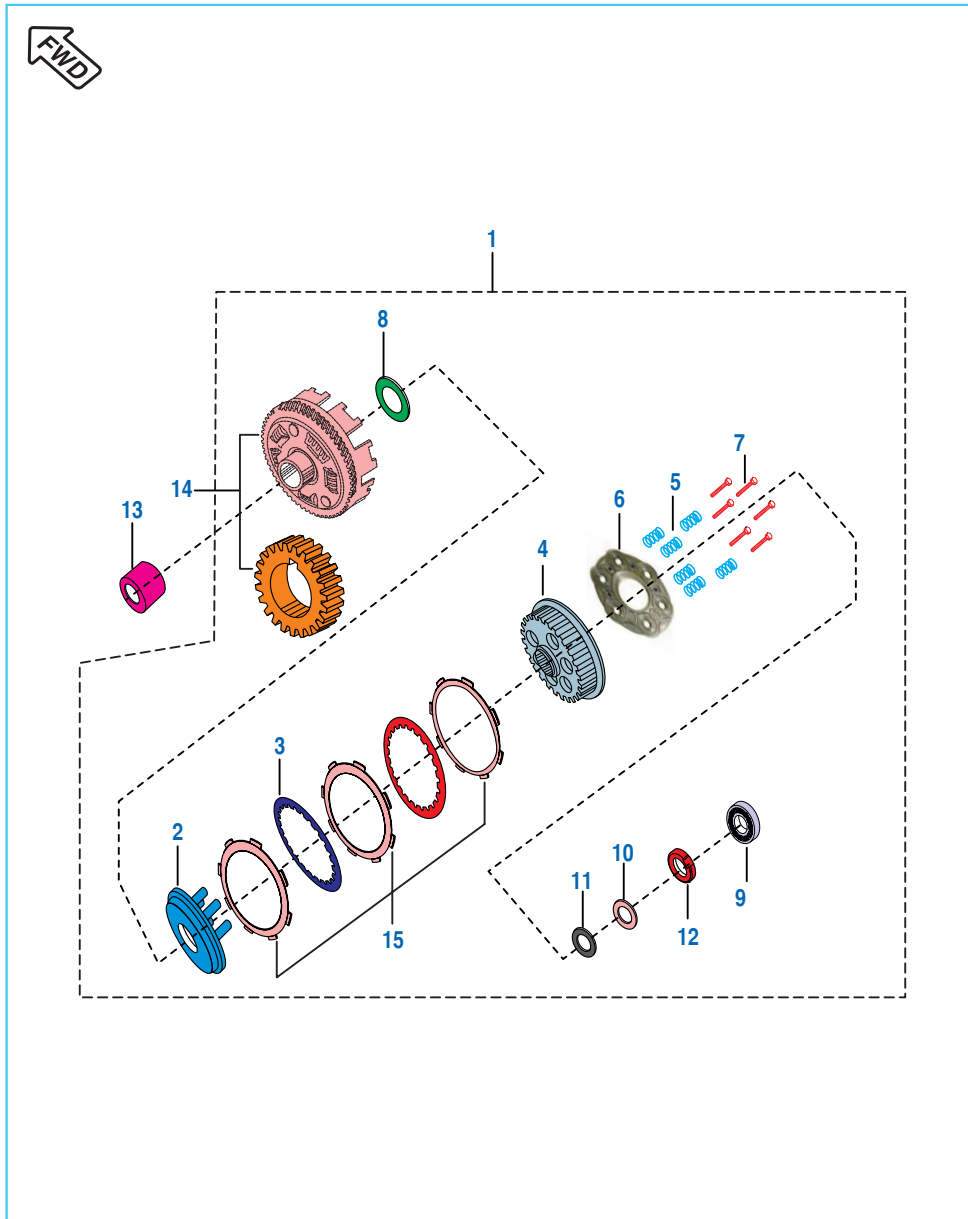
No.	Part No.	Description	CT100 KS	Remarks
1	36 DU40 79	Assembly clutch cover	1	
2	JV 5412 08	Shaft clutch release assy	1	
3	JE 5412 14	Spring torsion clutch lever	1	
4	JE 5412 13	Washer plain	1	
5	39 1041 19	Seal oil	1	
6	JA 5412 11	Cap oil filler	1	
7	JA 5412 25	O ring cap oil filler	1	
8	JL 5412 27	Window oil gauge	1	
9	DS 1012 15	Wire circlip	1	
10	30 1011 42	Seal oil	1	
11	PF 5514 07	Rod push	1	
12	DD 1211 81	Element oil filter	1	
13	PF 5412 54	Cap filter	1	
14	39 1671 21	O-ring ID 59.6 x 2.4	1	
15	LA E000 05	Bolt flanged - M6 x 1 x L20	3	
16	JA 5412 12	Gasket clutch cover	1	
17	PF 5412 55	Bracket clutch cable	1	
18	JV 5410 07	Bolt flanged - M6 x 1 x L35	8	
19	39 0999 06	Pin dowel	2	
20	JV 5412 25	Label cover cluth	1	

Cover Magneto



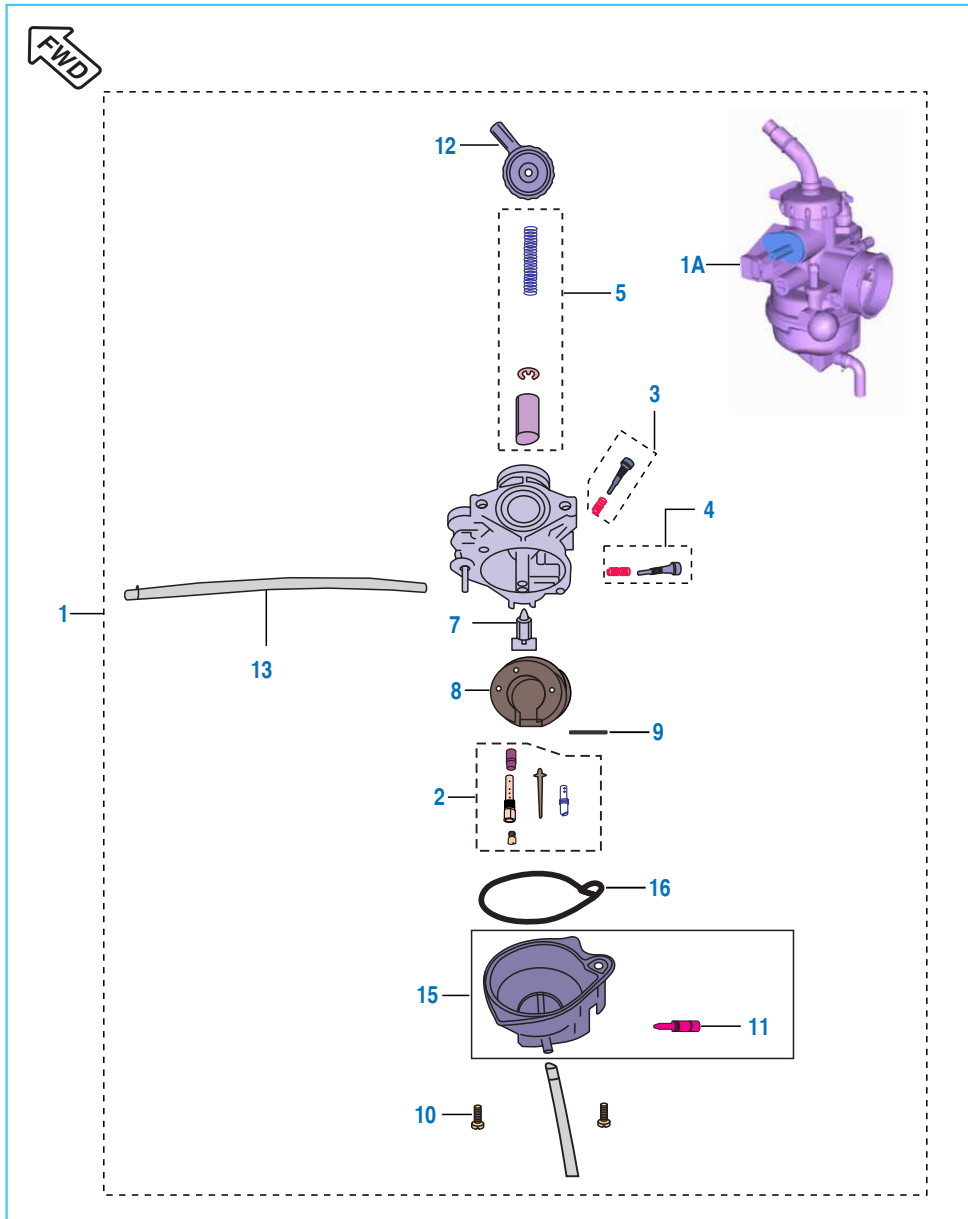
No.	Part No.	Description	CT100 KS	Remarks
1	52 PF13 23	Assembly magneto cover	1	
2	PF 5412 49	Label magneto cover	1	
3	JP 5412 08	Gasket magneto cover	1	
4	PF 5412 70	Assembly cover rear LH	1	
5	DS 1611 50	Gear shift label	1	
6	KA DD06 30	Bolt flanged	8	
7	39 0999 06	Pin dowel	2	
8	KA ED06 35	Bolt flanged small	2	

Clutch Assembly



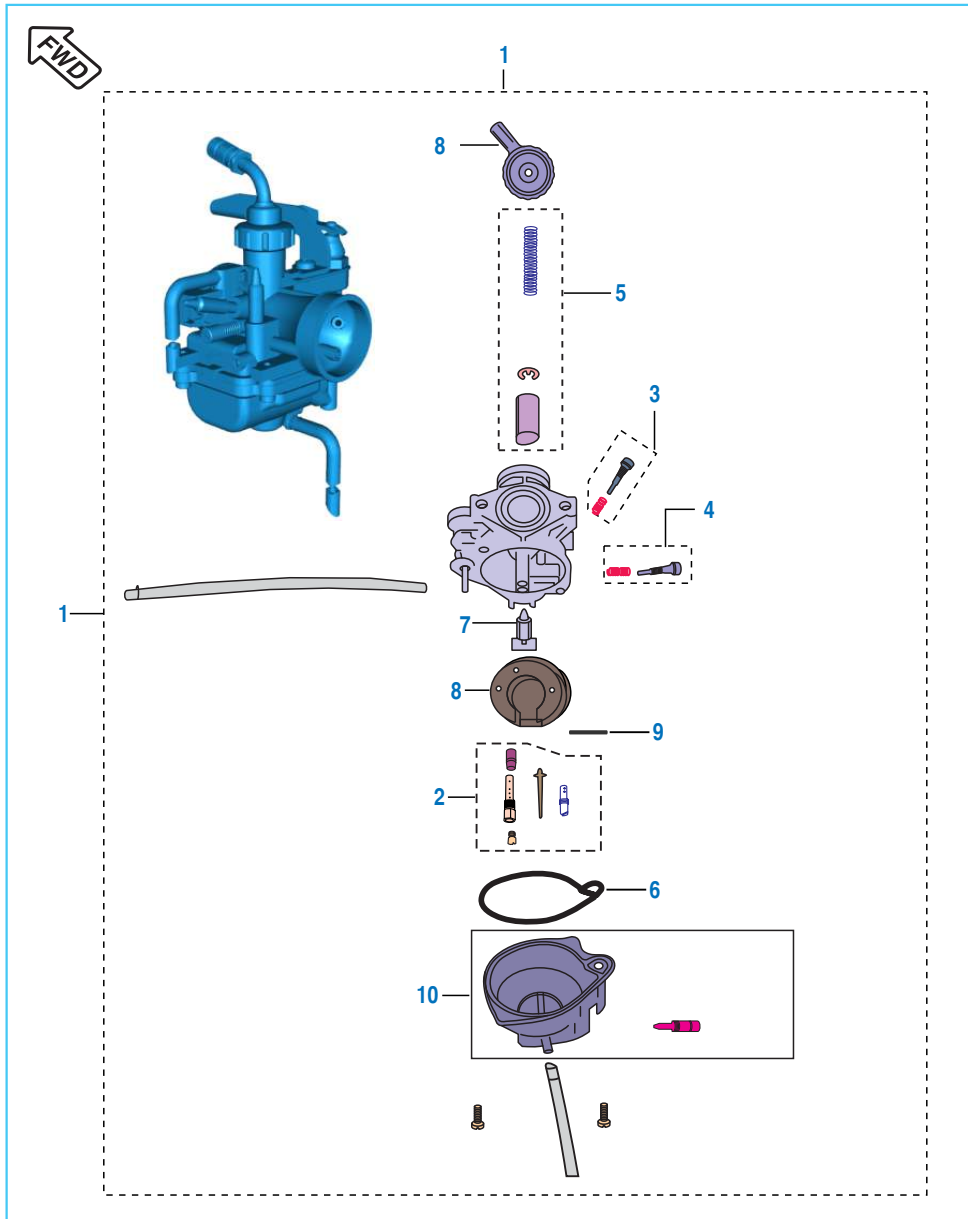
No.	Part No.	Description	CT100 KS	Remarks
1	PF 5514 12	Assembly clutch	1	
2	JB 5514 08	Wheel clutch	1	
3	30 1010 96	Plate clutch	4	
4	PF 5514 11	Hub clutch	1	
5	28 1012 14	Compression spring	6	
6	JB 5514 12	Holder clutch modified	1	
7	KA AD05 25	Bolt	6	
8	39 2600 11	Washer	2	
9	39 1001 20	Bearing ball	1	
10	JA 5514 20	Washer plain	1	
11	JE 5514 09	Washer belleville	1	
12	JA 5310 07	Nut round - M14 x 1 - LH thread	1	
13	JA 5514 06	Collar clutch	1	
14	36 JZ00 23	Kit primary drive & driven	1	Refer kit list
15	36 JE00 24	Kit plate friction	1	Refer kit list

Carburetor Assembly - KEIHIN make



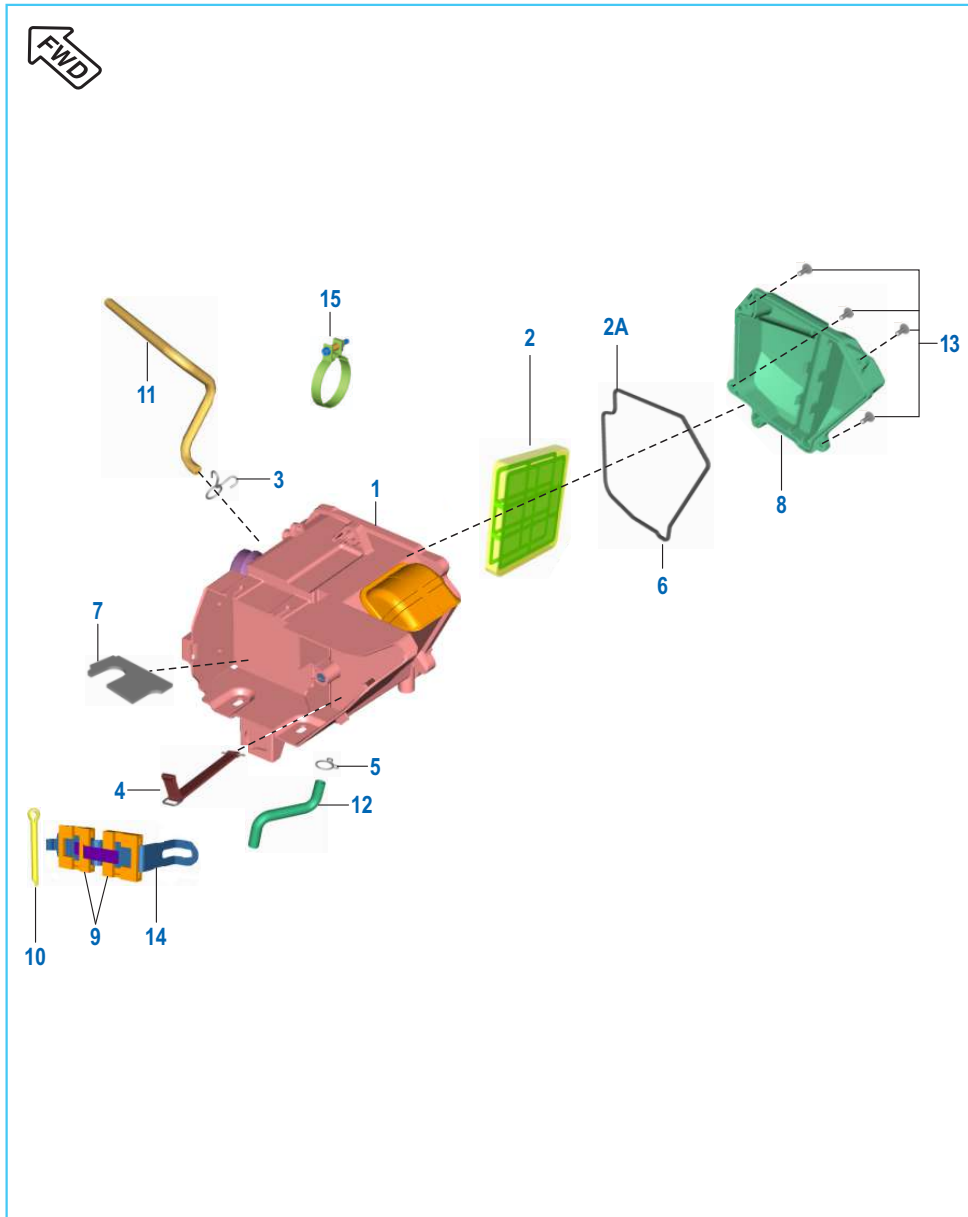
No.	Part No.	Description	CT100 KS	Remarks
1	PF 5812 44	Assly Carburetor Manual Choke	1	
2	36 DU40 84	Kit Carb Jet	1	
3	36 JH00 40	Kit Carb Air Screw / Slow Jet	1	
4	36 DU40 83	Kit Carb Idling Screw	1	
5	36 DU40 81	Kit Carb Throttle Valve	1	
6	36 JH00 12	Kit O Ring & Gasket	1	
7	JB 5812 29	Valve Comp Float	1	
8	JB 5812 30	Float	1	
9	JB 5812 56	Arm Pin Float	1	
10	PA 5812 21	Screw Float Chamber	1	
11	JB 5812 60	Drain Screw	1	
12	36 DU40 82	Top Cap	1	
13	JB 5812 58	Tube Air Vent	1	
15	36 JH00 44	Float Chamber Kit	1	
16	JH 5812 18	Gasket chamber float	1	

Carburetor Assembly - UCAL make



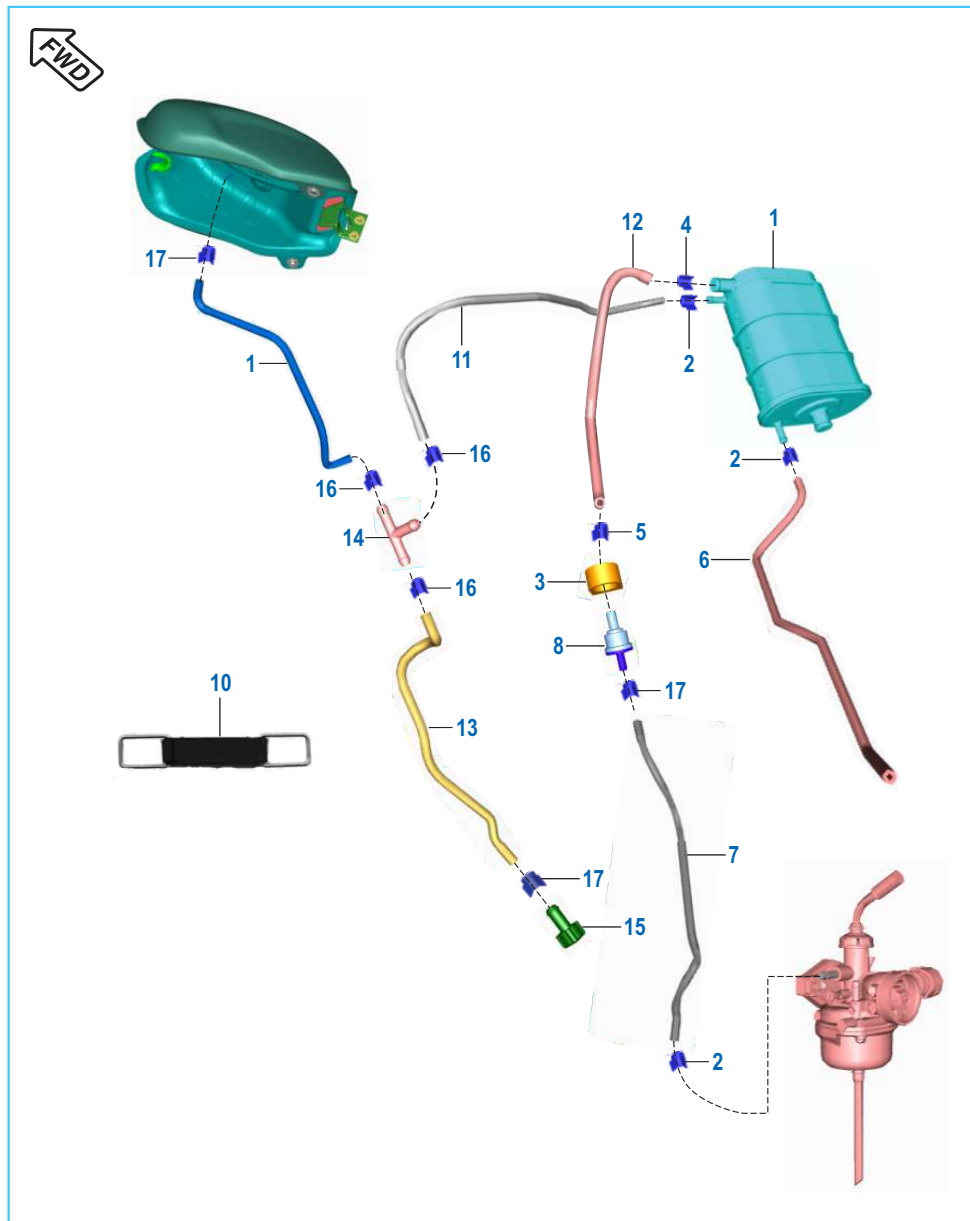
No.	Part No.	Description	CT100 KS	Remarks
1	PF 5812 64	Assly Carburetor Manual Choke	1	
2	36 PF01 46	Jet kit	1	
3	36 PF01 44	Air screw kit	1	
4	36 PF01 45	Idling adjuster kit	1	
5	36 PF01 43	Piston valve assy kit	1	
6	36 PF01 48	O - Ring & gasket kit	1	
7	16 1211 38	Needle Assembly	1	
8	36 PF01 49	Mixing cap assembly kit	1	
9	DH 1210 63	Arm Pin Float	1	
10	36 PF01 47	Float body assembly kit	1	

Air Cleaner Complete



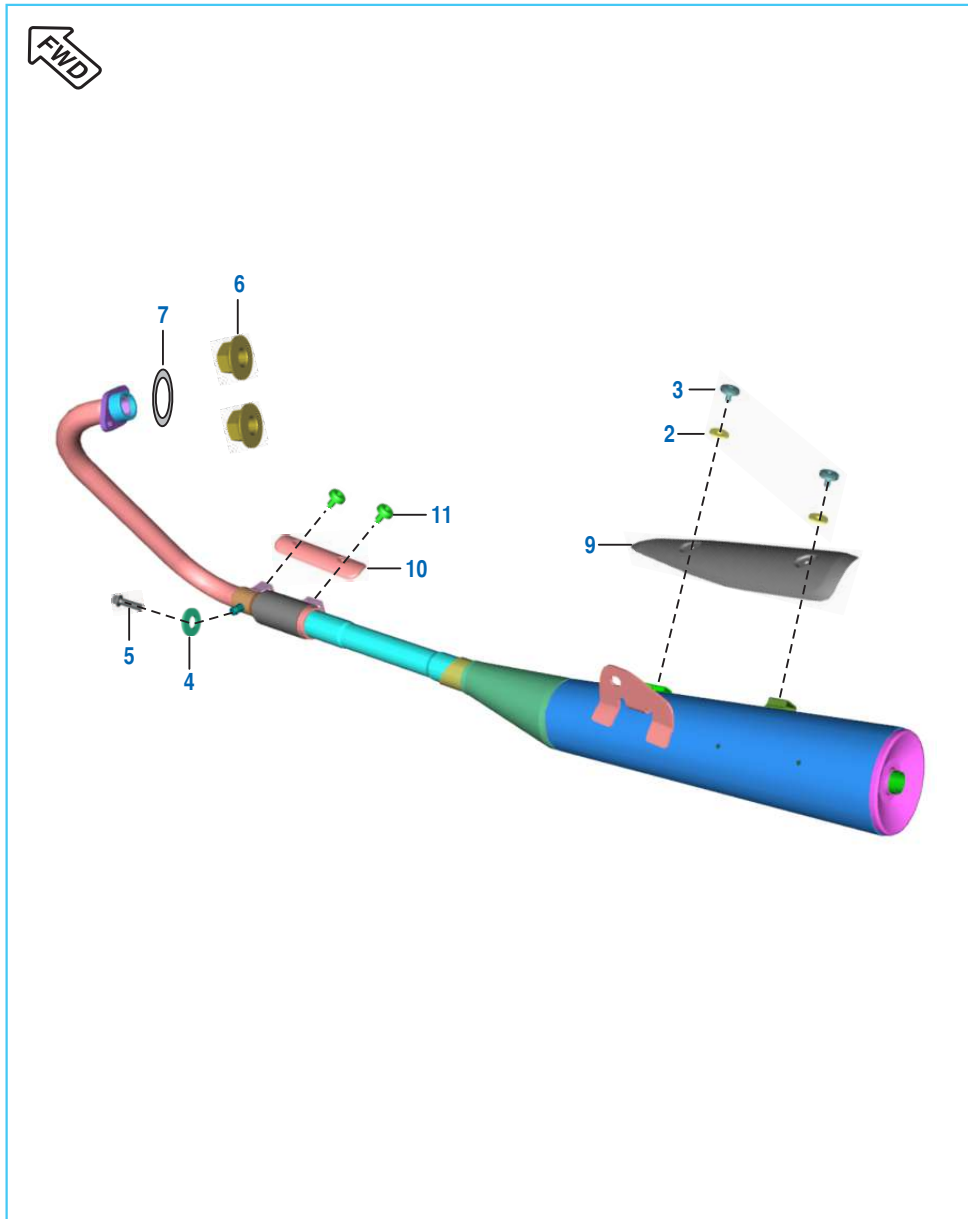
No.	Part No.	Description	CT100 KS	Remarks
1	PF 5810 89	Filter assembly air	1	
2	PF 5811 35	Air filter element	1	
2A	DU 1210 52	Cover O Ring	1	
3	DG 1210 40	Clamp	1	
4	DM 2210 01	Band for tool kit	1	
5	DM 1210 26	Clamp	1	
6	DU 1210 52	Ring seal AF	1	
7	DU 2010 92	Battery pad (foam)	1	
8	DM 1210 04	Cap air filter	1	
9	DU 1210 30	Strip - foam	2	
10	KH AA32 28	Pin split	1	
11	DY 5810 09	Tube breather	1	
12	DM 1210 14	Tube oil drain	1	
13	LB U000 07	Screw truss M5 x 15L	4	
14	DM 1210 10	Band battery	1	
15	JH 5812 02	Clamp carb sleeve Dia 44	1	

EVAP Mechanism

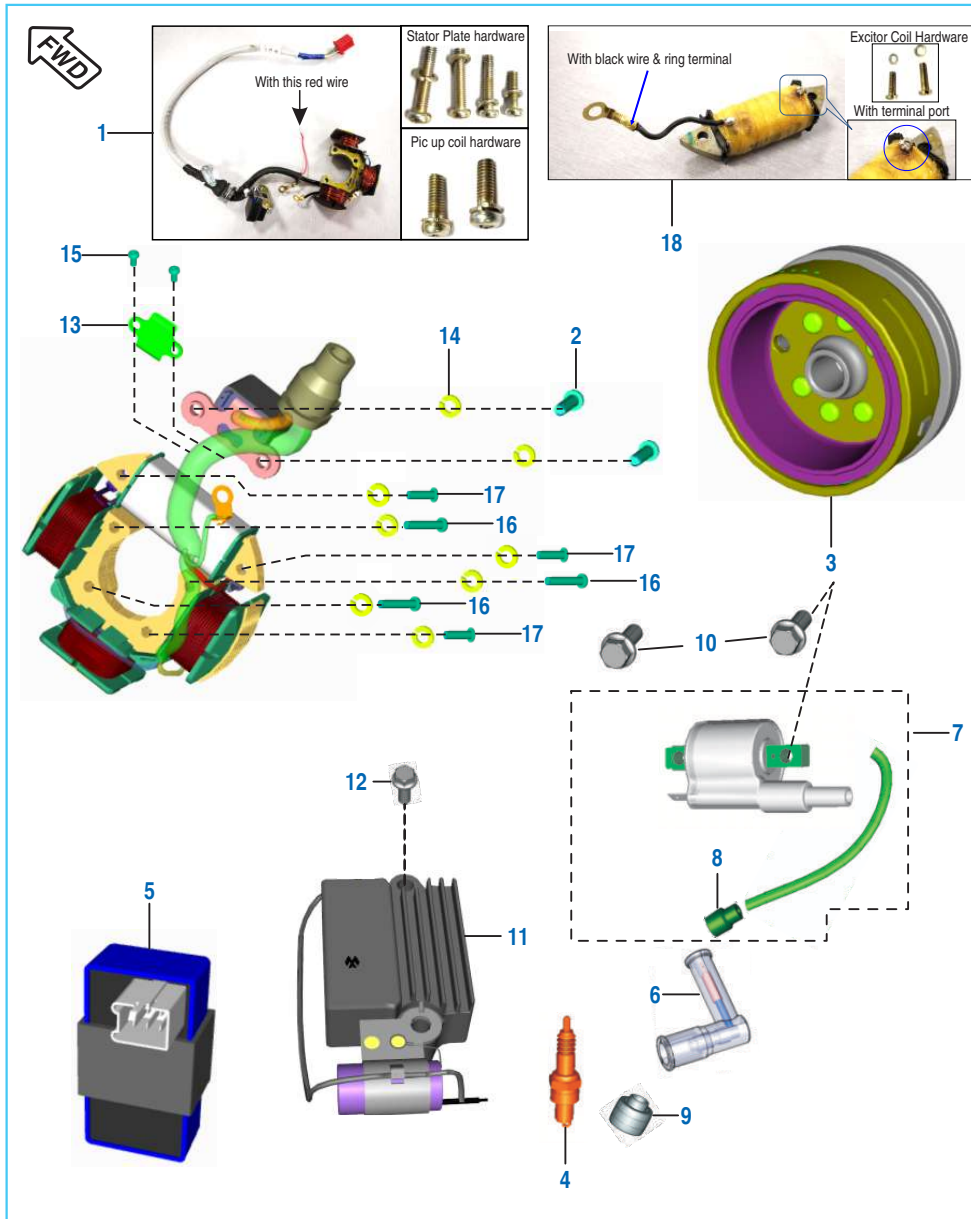


No.	Part No.	Description	CT100 KS	Remarks
1	DU 1412 77	Tube tank to T connector	1	
2	JL 1711 01	Clamp band spring 9.5 x 8.4	3	
3	JH 1710 48	Grommet purge valve	1	
4	JY 1710 69	Spring band clamp 15 x 10	1	
5	JL 1711 02	Clamp band spring 12.5 x 8	1	
6	DU 1412 72	Tube canister drain	1	
7	DU 1412 71	Tube purge valve to carbuerattor	1	
8	PD 1716 16	Valve purge	1	
9	JY 1710 77	Canister	1	
10	JZ 1710 55	Strap canister	2	
11	DH 1410 70	Tube T connector to canister	1	
12	DU 1412 78	Tube canister - valve purge	1	
13	DH 1410 75	Tube drain	1	
14	GL 1710 36	Connnt. for breather and vapor tube	1	
15	JY 1718 25	Plug fuel drain	1	
16	JY 1710 70	Clamp	3	
17	JG 1710 29	Clamp	3	

Silencer Assembly



No.	Part No.	Description	CT100 KS	Remarks
1	PF 5913 60	Silencer assembly w/o shield	1	
2	JB 5910 68	Washer nylon shield silencer	2	
3	JW 5910 28	Truss screw M5 x 0.8	2	
4	39 2492 11	Plain washer	1	
5	KA DA05 10	Bolt flanged	1	
6	39 2295 15	Nut flanged - ex. tube - cyl head	2	
7	JE 5910 02	Gasket exhaust	1	
8	DD 1013 66	Bolt - flange + dacro treatment	1	
9	PF 5913 27	Shield muffler	1	
10	PF 5913 78	Shield cat	1	
11	DH 1016 07	Truss screw	2	

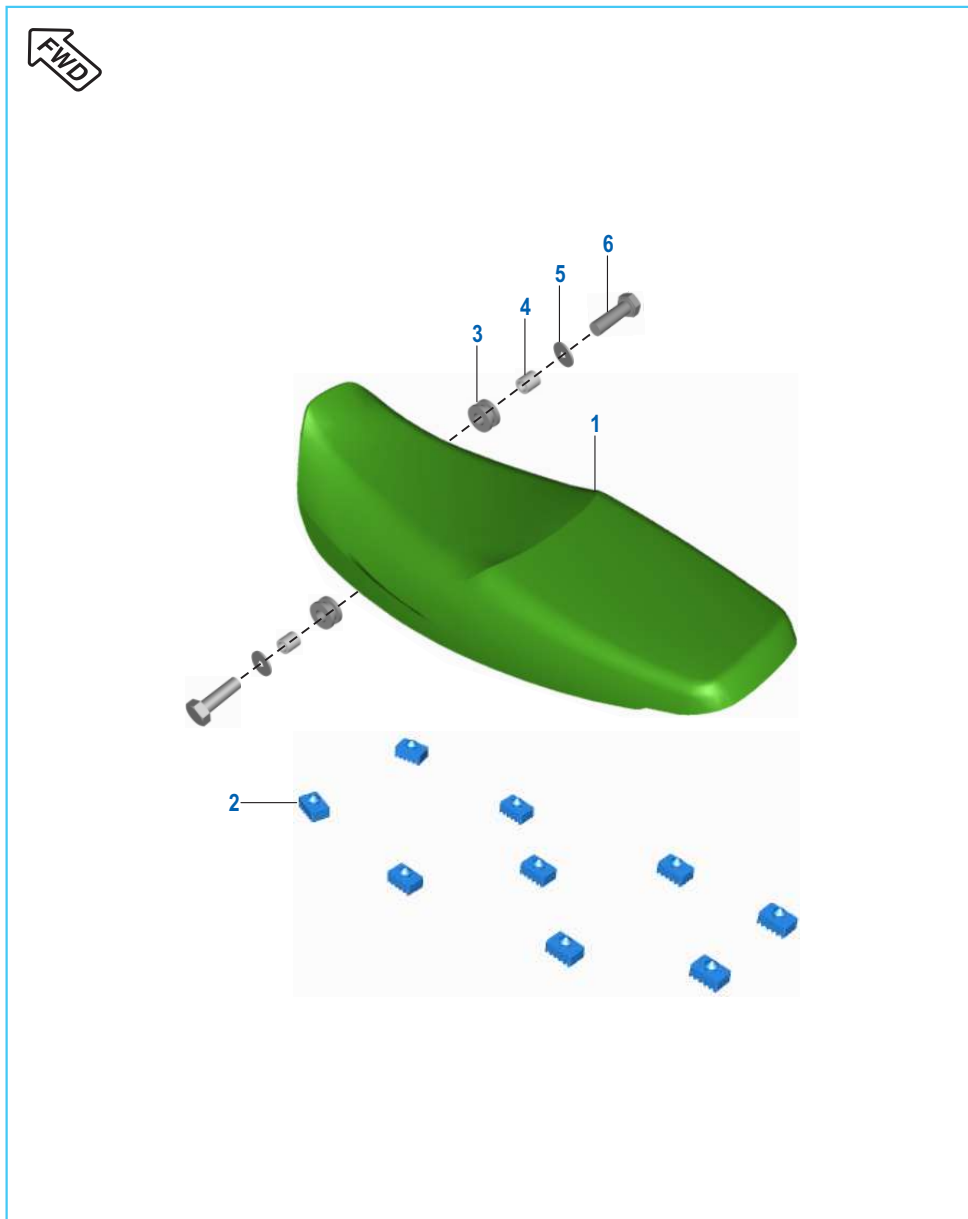


Front Wheel Direction

Magneto, CDI & H.T. Coil

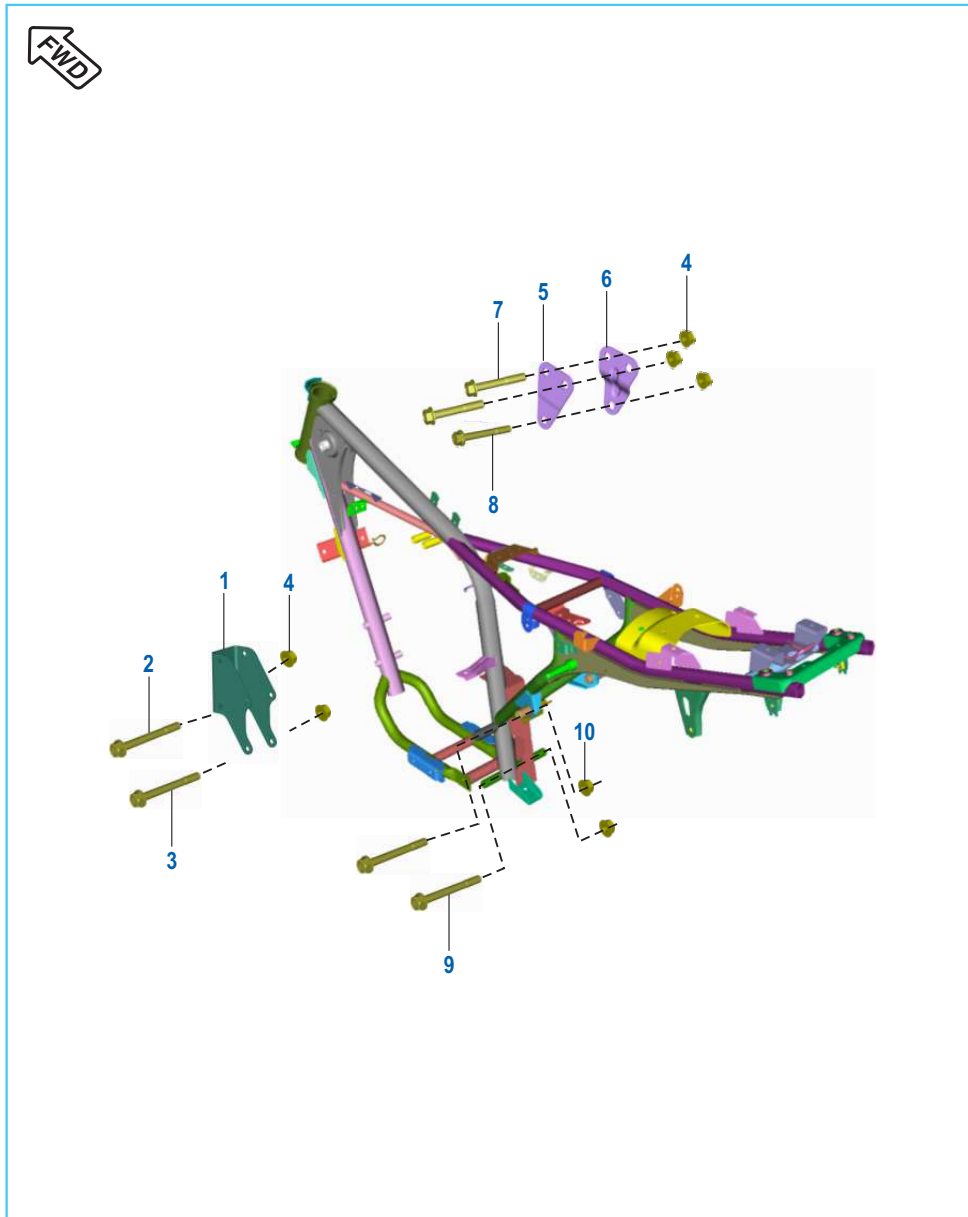
No.	Part No.	Description	CT100 KS	Remarks
1	YD U170 01	Stator plate without excitor coil	1	
2	KB BA04 12	Screw Pan Cross	2	
3	PF 3510 59	Rotor assembly	1	
4	CF 1110 19	Spark plug BOSCH UR4AC	1	
		OR		
	DD 1110 18	Spark plug	1	
5	PF 3512 40	CDI	1	
6	DD 1110 48	Spark plug cap	1	
7	DY 3512 01	Coil HT with cable	1	
8	DD 1110 12	Grommet HT cable	1	
9	DD 1110 11	Grommet spark plug cap	1	
10	39 1943 04	Bolt flanged M6	2	
11	DU 2011 38	Unit regulator	1	
12	KA ED06 25	Bolt flanged	2	
13	PF 5412 72	Bracket Harness Stator	1	
14	KD DA04 08	Washer Spring Thin	8	
15	LB B000 17	Screw Pan Cross - M4 x 0.7 x L6	2	
16	KB BA04 25	Screw Pan Cross	3	
17	KB BA04 16	Screw Pan Cross	3	
18	YD U170 02	Excitor coil	1	

Seat Assembly & Mounting



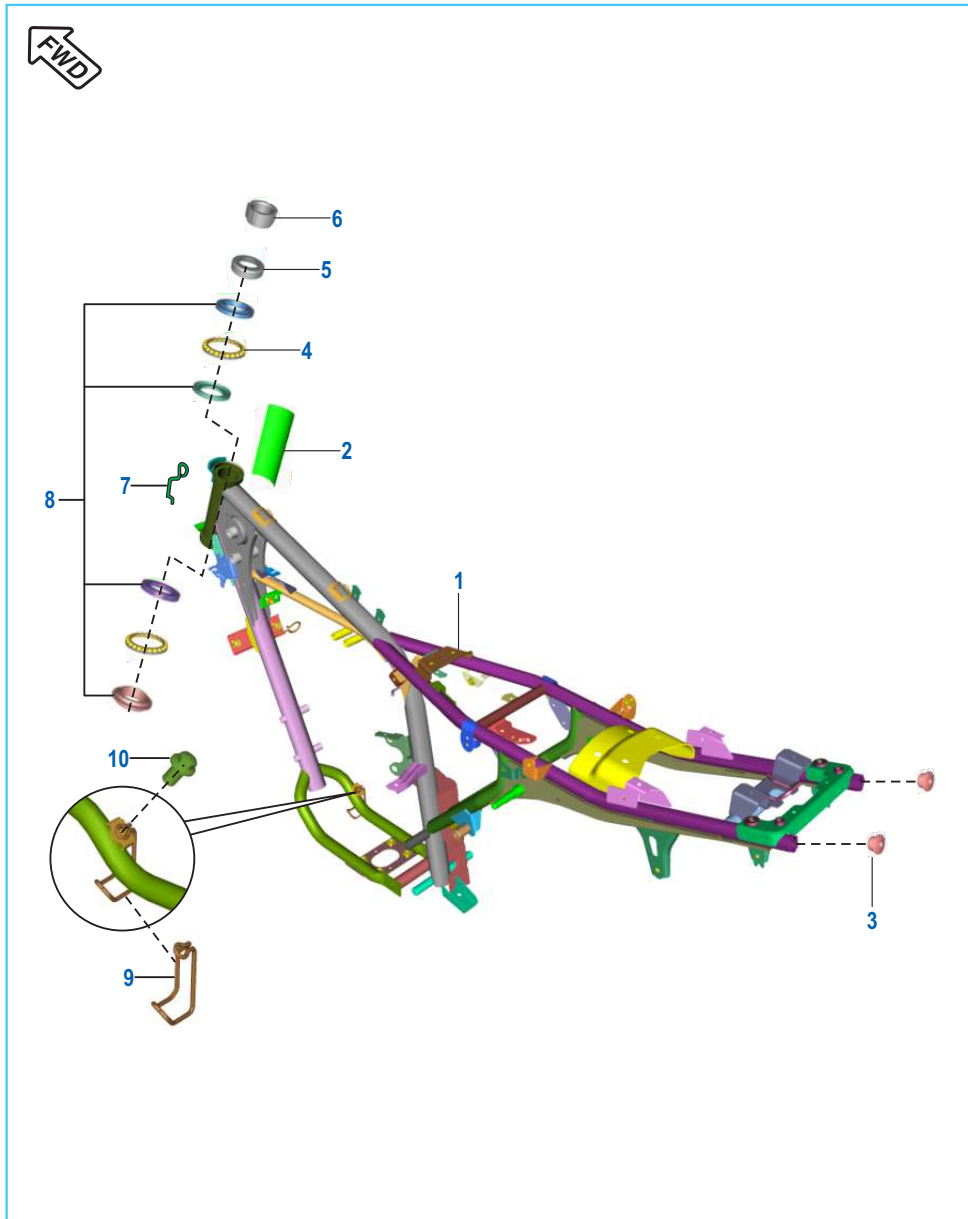
No.	Part No.	Description	CT100 KS	Remarks
1	DU 2110 01	Seat assembly complete	1	
2	DP 2110 09	Damper for seat	9	
3	FD 2110 06	Grommet seat	2	
4	FD 2110 07	Spacer seat	2	
5	LD B000 14	Plain washer	2	
6	39 1290 04	Screw M6 x 1	2	

Engine Mountings



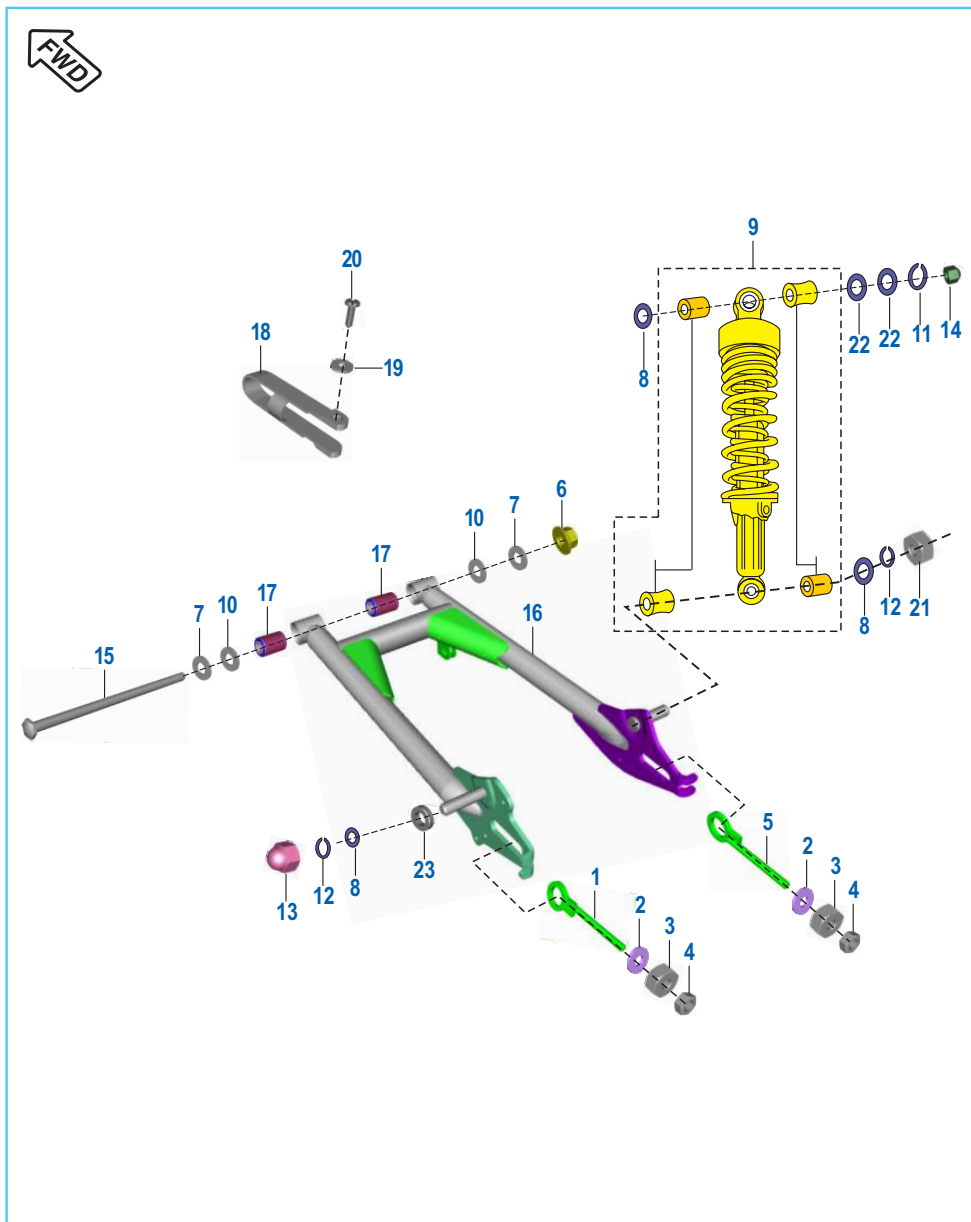
No.	Part No.	Description	CT100 KS	Remarks
1	DY 1134 00	Bracket engine mounting front	1	
2	KA DD08 85	Bolt flanged	1	
3	KA DD08 80	Bolt flanged	3	
4	KC GD08 08	Nut hex flanged	7	
5	DM 1611 92	Bracket engine hanger LH	1	
6	DM 1611 93	Bracket engine hanger RH	1	
7	KA DD08 55	Bolt flanged	2	
8	KA DD08 65	Bolt flanged	1	
9	39 2702 04	Flange bolt	2	
10	LC L000 01	Nut hex flange - M10	2	

Frame & Frame Fittings



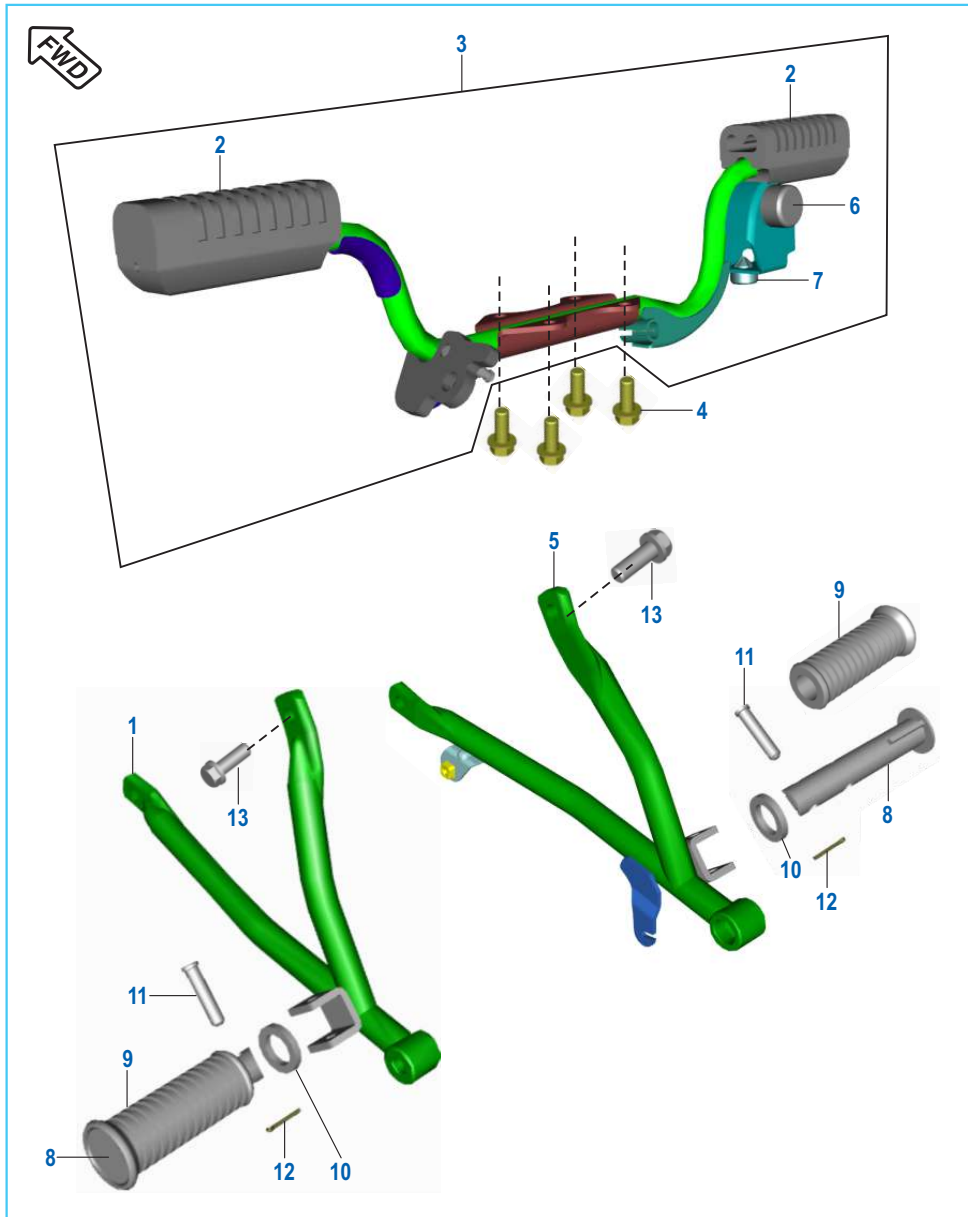
No.	Part No.	Description	CT100 KS	Remarks
1	DU 1613 23	Assembly frame	1	
2	DU 1611 96	Tape - frame	1	
3	DU 1610 24	Plug	2	
4	DJ 1811 15	Cage bearing steering	2	
5	DH 1810 14	Cup steering	1	
6	DF 1810 90	Nut - steering bearing	1	
7	31 1910 02	Clamp	1	
8	36 3140 05	Kit steering cone	1	Refer kit list
9	DU 1613 29	Hook	1	
10	LA E000 48	Bolt flange - M6	1	

Swing Arm / Rear Shock Absorber



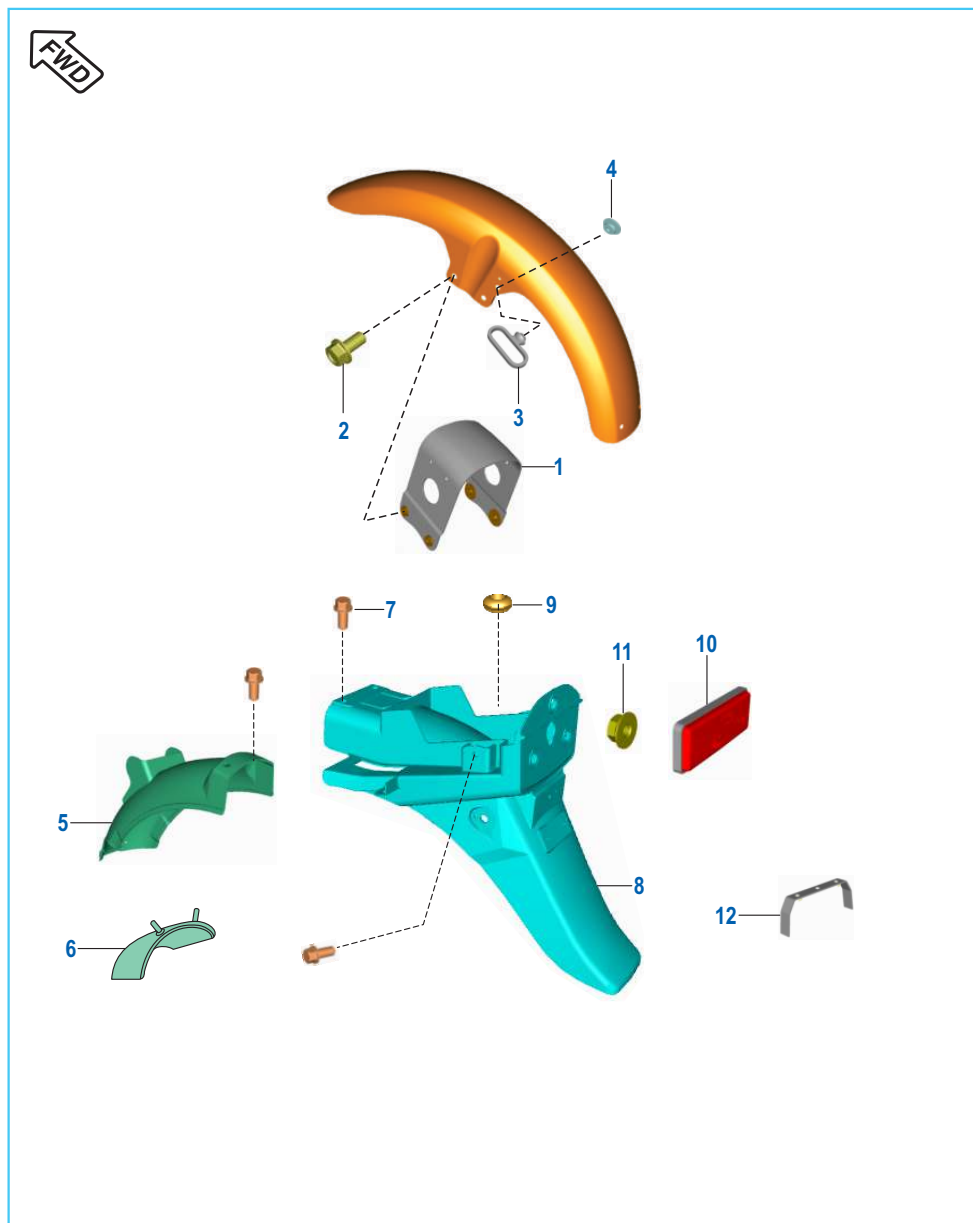
No.	Part No.	Description	CT100 KS	Remarks
1	JK 1220 02	Adjuster assy. Chain – LH	1	
2	39 1309 11	Plain washer	2	
3	LC A000 11	Nut hex thik - M6 x 1 x Ht.6.5	2	
4	39 2122 15	Nut hex M6 x 1	2	
5	JK 1220 04	Adjuster assy. Chain – RH	1	
6	KC AA10 08	Nut master	1	
7	39 0248 11	Washer - plain	2	
8	39 0714 11	Washer plain	4	
9	DZ 1710 16	Rear shock absorber	2	
10	39 0201 11	Washer - plain	2	
11	KD DB12 21	Washer spring thin	2	
12	KD DB10 18	Washer spring this	2	
13	39 0712 15	Domed cap nut - M12	1	
14	39 2366 15	Nut domed cap	2	
15	31 1710 06	Shaft swing arm	1	
16	52 DU05 55	Arm complete - swing with bush	1	
17	30 1710 18	Bushing - rubber	2	
18	31 1710 12	Damper for swing arm	1	
19	39 0454 11	Plain washer	2	
20	KB RB35 13	Self tapping screw	2	
21	39 1493 15	Nut hexagon - M12	1	
22	39 2349 11	Washer plain	4	
23	DM 1710 22	Spacer	1	

Foot Rest - Rider / Pillion



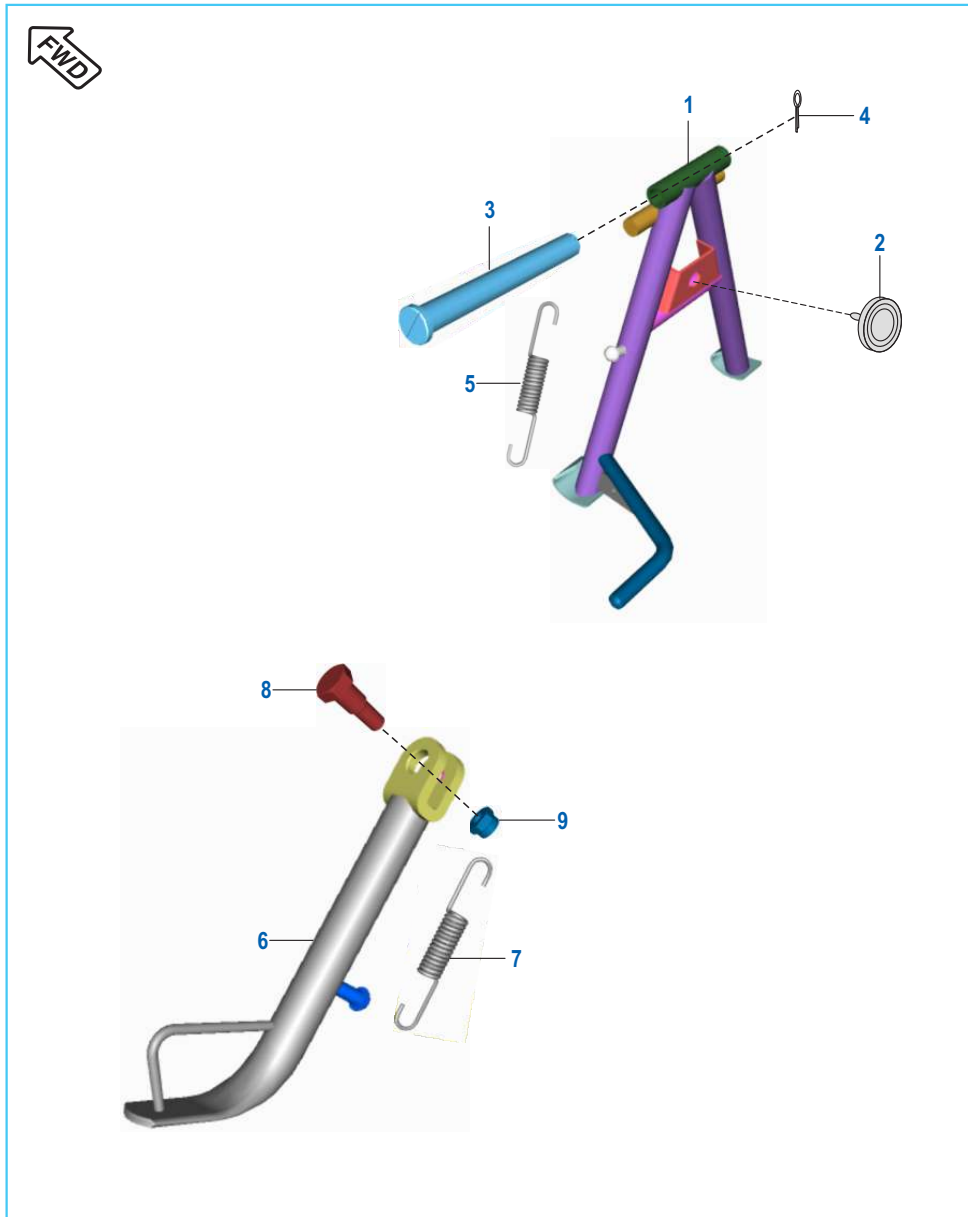
No.	Part No.	Description	CT100 KS	Remarks
1	DU 1612 67	Stay pillion LH	1	
2	DF 1614 13	Rubber main step	2	
3	DU 2210 21	Assembly holder step rider	1	
4	39 2221 04	Hexagon bolt with flange	4	
5	DU 1510 42	Holder assembly step pillion RH	1	
6	DG 1612 24	Damper	1	
7	DD 1610 78	Damper	1	
8	DP 1611 70	Step (pillion footrest)	2	
9	JK 1130 08	Rubber pillion step	2	
10	DP 1611 63	Washer for rear foot step	2	
11	30 1710 22	Pin	2	
12	KH AA25 20	Pin cotter	2	
13	LA D001 48	Bolt flange M8	2	

Mudguard - Front & Rear



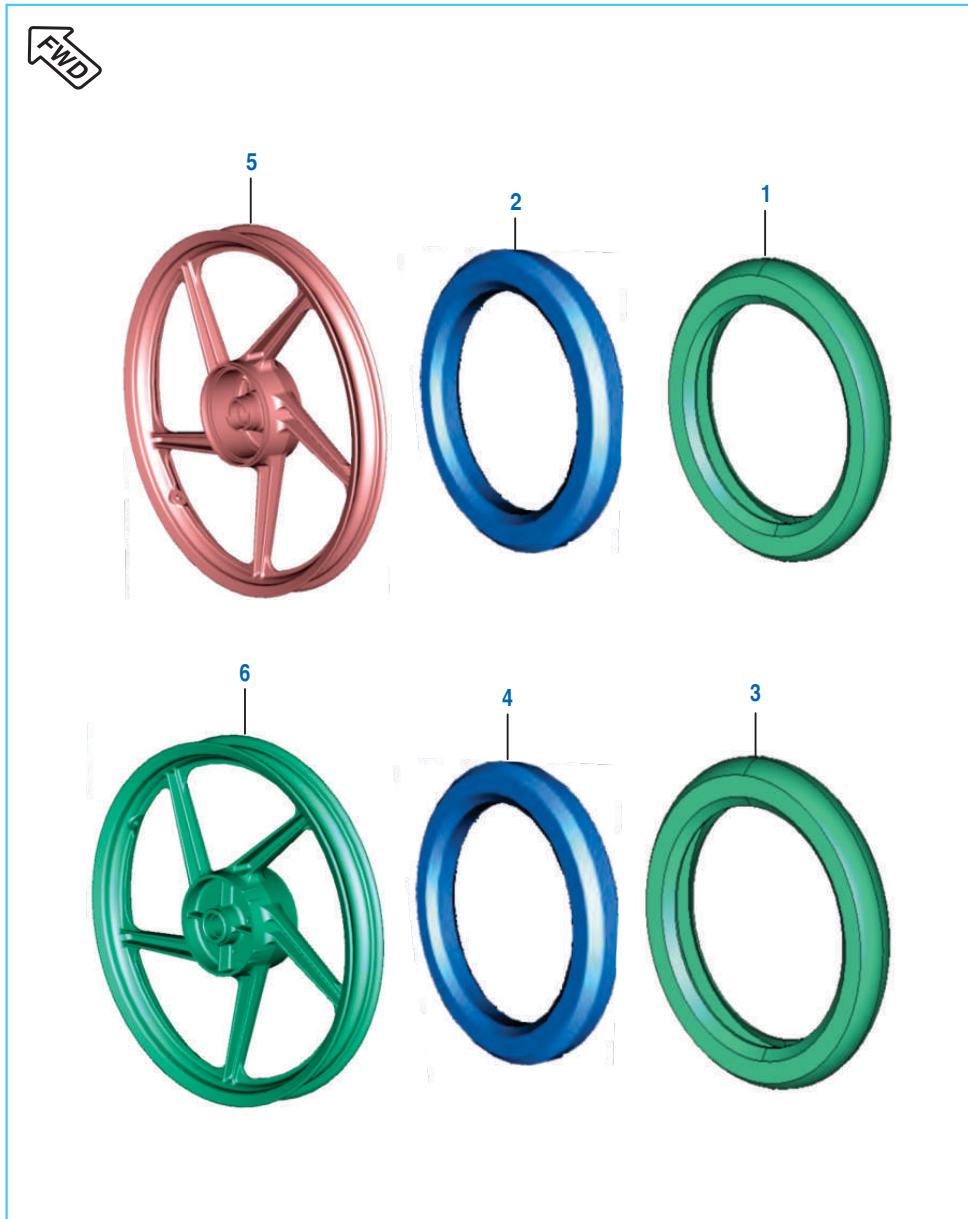
No.	Part No.	Description	CT100 KS	Remarks
1	DU 1610 98	Brace -fender front riveted + 8 mm	1	
2	KA DD08 18	Bolt flanged	4	
3	DU 1613 73	Cable guide	1	
4	CZ 1814 07	Plug	1	
5	DM 1610 09	Fender rear front	1	
6	DD 1610 51	Flap for fender rear front	1	
7	KA DA06 14	Bolt flanged	6	
8	DU 1610 08	Fender - rear	1	
9	DD 1610 13	Grommet for fender rear	1	
10	DD 2010 02	Reflector reflex	1	
11	KC GA05 05	Nut hex flanged	1	
12	DU 1610 98	Brace fender rear	1	

Stand Assembly



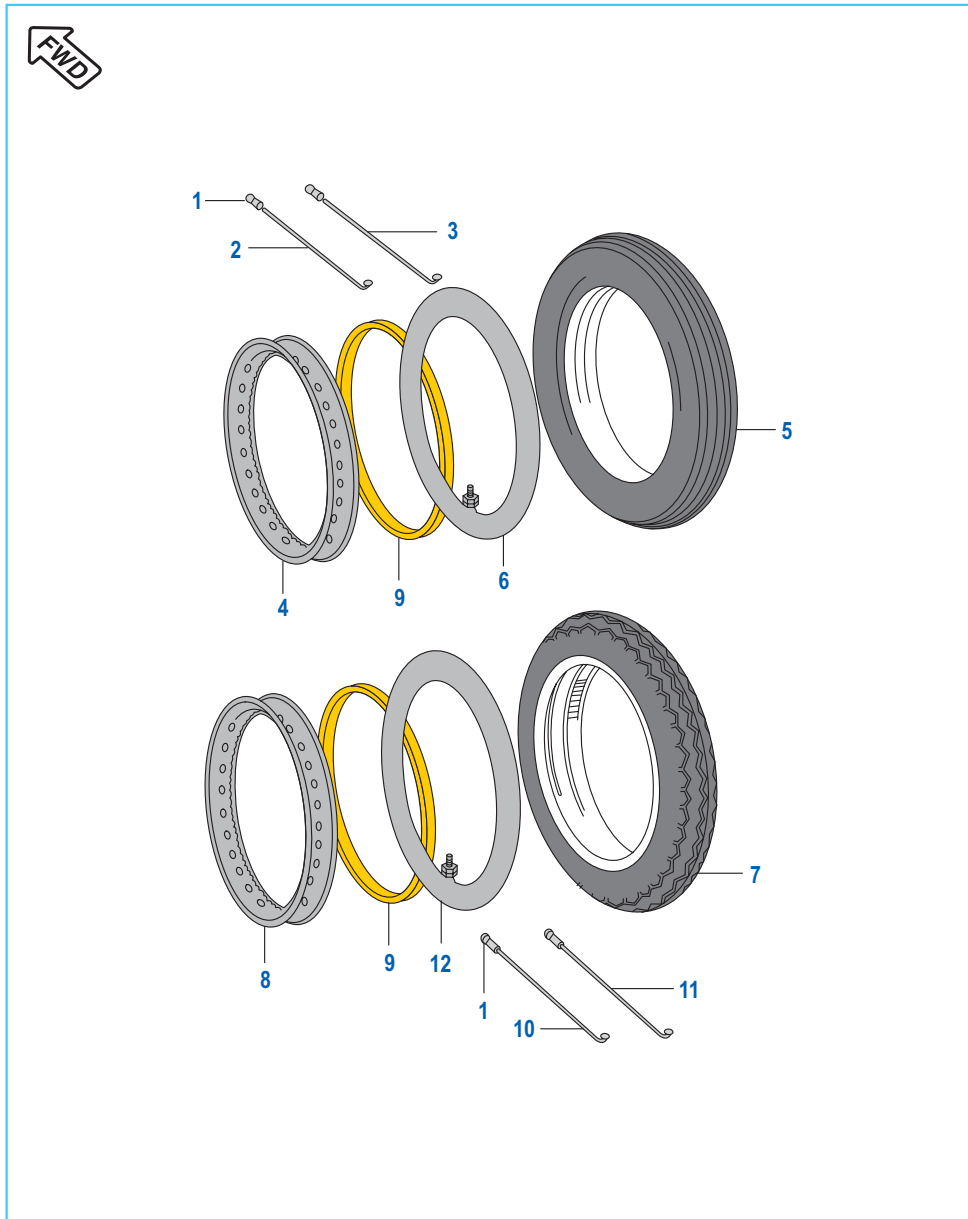
No.	Part No.	Description	CT100 KS	Remarks
1	DM 1611 72	Stand center	1	
2	DG 1611 24	Damper	1	
3	30 1611 57	Shaft stand	1	
4	KH AA32 25	Pin cotter	1	
5	30 1611 58	Spring	1	
6	DY 1132 00	Stand side	1	
7	DH 1610 66	Spring side stand	1	
8	DF 1611 02	Bolt	1	
9	LC H000 01	Nut nyloc M10	1	

Tube / Tyre / Rim (Alloy Wheels)



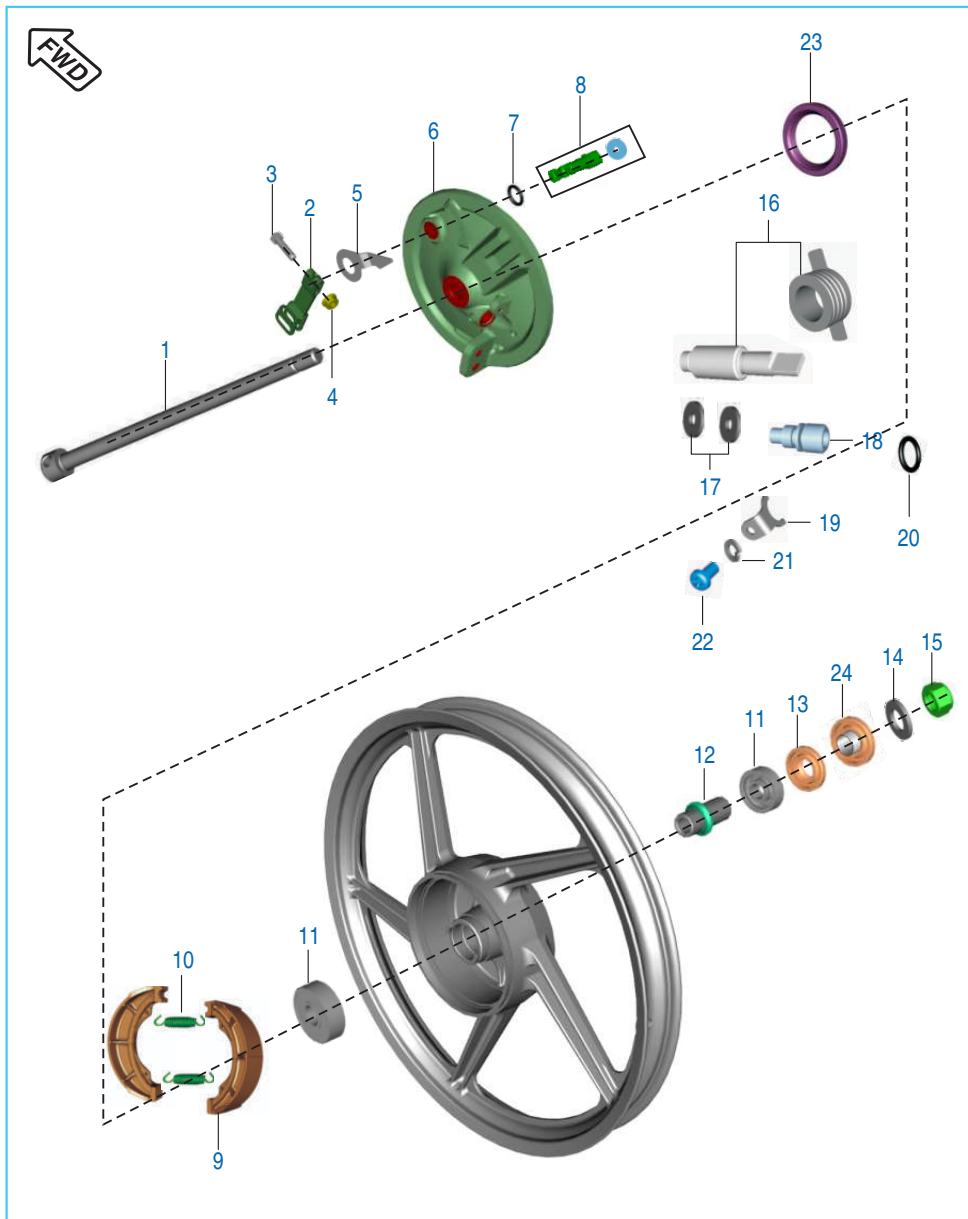
No.	Part No.	Description	CT100 KS	Remarks
1	DM 1510 25	Tyre Front 2.75 X 17	1	
2	DS 1510 49	Tube Front 2.75 X 17	1	
3	DM 1510 28	Tyre Rear 3 X 17	1	
4	DS 1510 53	Tube Rear	1	
5	JZ 1310 42	Wheel front drum - 1.4 x 17 - SILVER	1	
6	DU 1510 34	Wheel Rear 1.6X17	1	

Tube / Tyre / Rim (Spoke Wheel)



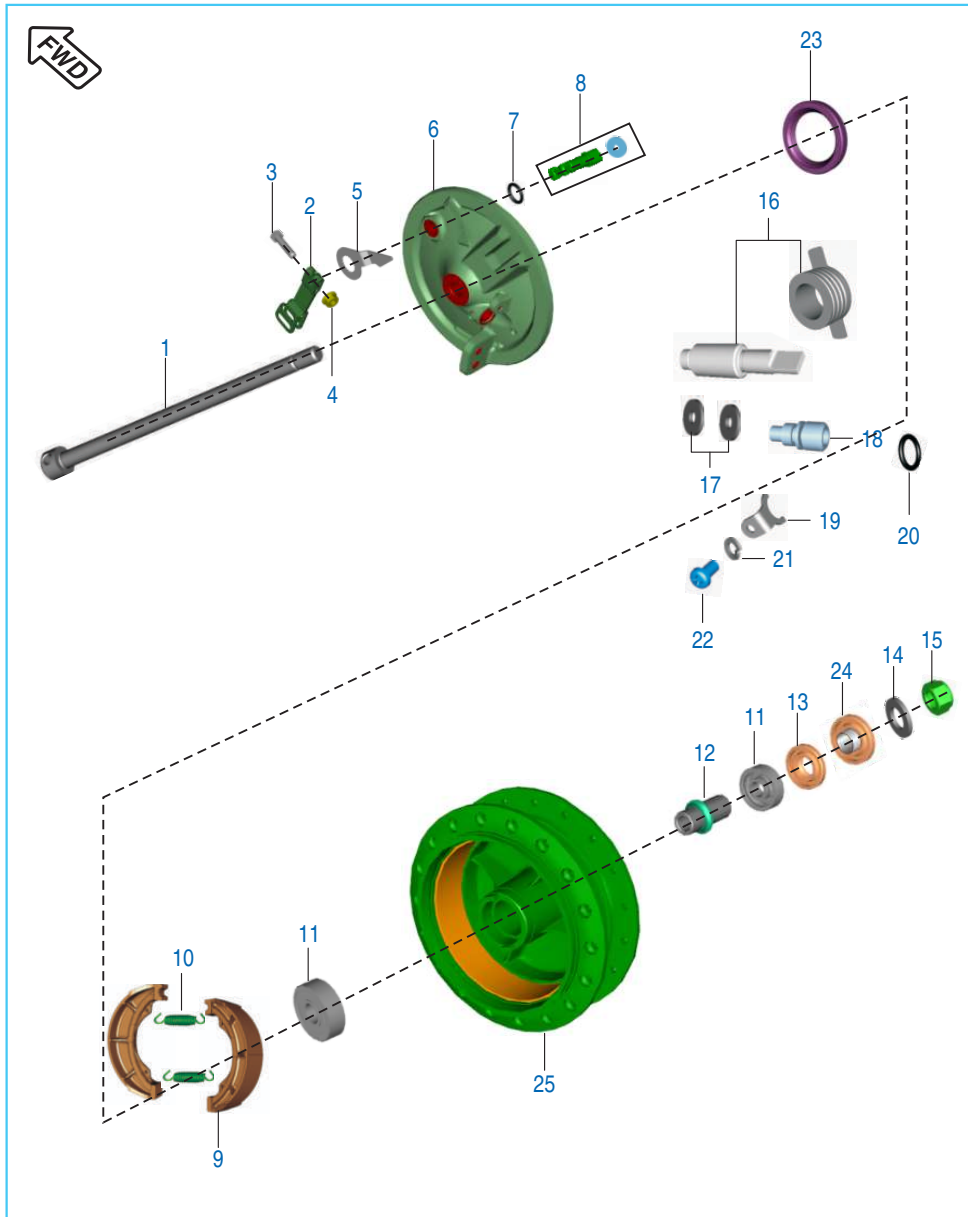
No.	Part No.	Description	CT100 KS	Remarks
1	16 1510 66	Nipple spoke	72	
2	DU 1510 25	Spoke inner front	18	
3	DU 1510 26	Spoke outer front	18	
4	DS 1510 03	Wheel rim front 1.60 x 17	1	
5	DM 1510 25	Tyre front 2.75 X 17	1	
6	DS 1510 49	Tube Front 2.75 X 17	1	
7	DM 1510 28	Tyre Rear 3 X 17	1	
8	DU 1510 18	Wheel rim Rear 1.85 x 17	1	
9	DG 1510 22	Band Rim	2	
10	DS 1510 09	Spoke Inner Rear	18	
11	DS 1510 10	Spoke Outer Rear	18	
12	DS 1510 53	Tube Rear	1	

Front Hub (Alloy Wheel)



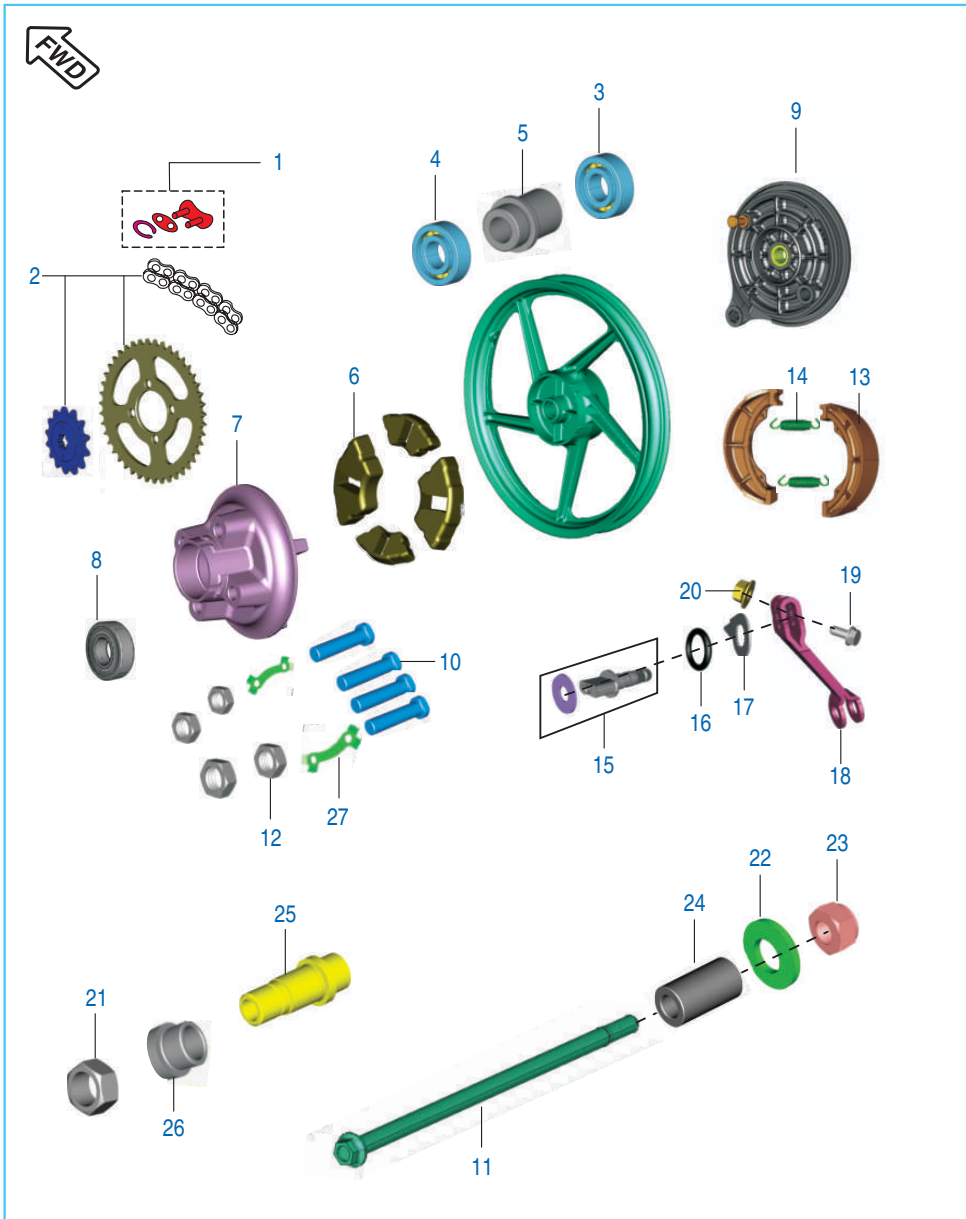
No.	Part No.	Description	CT100 KS	Remarks
1	DZ 1510 14	Axle Front	1	
2	DU 1510 44	Lever panel brake front	1	
3	39 0775 04	Hex Head Bolt	1	
4	LC L000 02	Nut flanged - M6	1	
5	DD 1510 09	Wear Indicator	1	
6	PF 1316 16	Panel Front Brake	1	
7	30 1510 38	O Ring	1	
8	30 1510 04	Cam Brake	2	
9	31 1510 07	Shoe Brake	2	
10	30 1510 69	Spring	2	
11	KP BB63 01	Bearing-Ball-C3 Clearance	2	
12	30 1510 32	Collar bearing	1	
13	30 1510 33	Seal - Oil	1	
14	KD AA12 22	Washer plain small	1	
15	59 1500 03	Nut U - M12	1	
16	36 DZ00 08	Kit Gear Meter	1	Refer kit list
17	30 1510 42	Washer A	2	
18	JA 1316 06	Bushing	1	
19	30 1511 18	Stopper For Bushing	1	
20	39 1013 21	O Ring	1	
21	KD DB04 08	Washer Spring	1	
22	KB BA04 08	Screw Pan Cross	1	
23	PA 1310 03	Seal oil	1	
24	DZ 1510 32	Collar assembly	1	

Front Hub (Spoke Wheel)



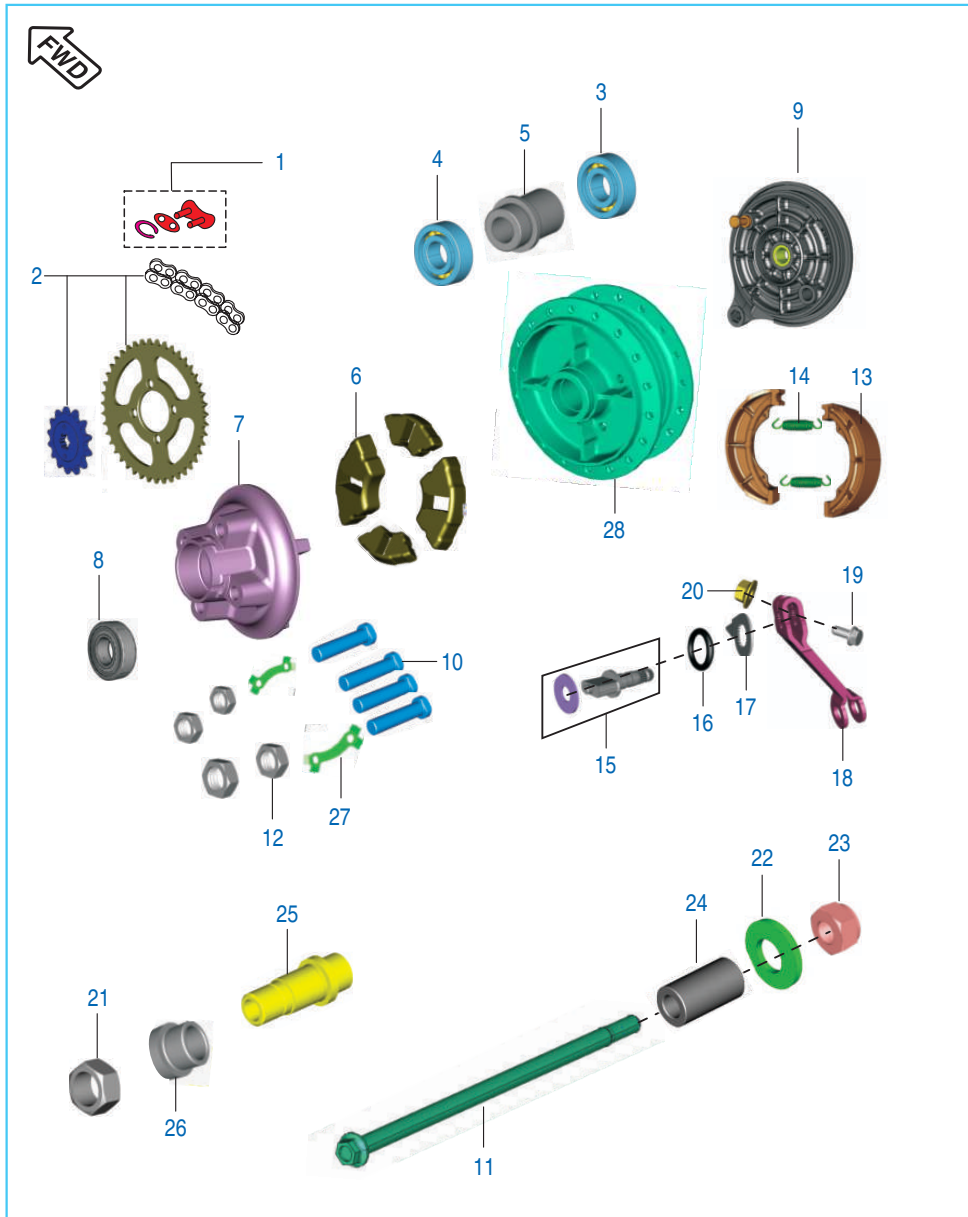
No.	Part No.	Description	CT100 KS	Remarks
1	DZ 1510 14	Axle Front	1	
2	DU 1510 44	Lever panel brake front	1	
3	39 0775 04	Hex Head Bolt	1	
4	LC L000 02	Nut flanged - M6	1	
5	DD 1510 09	Wear Indicator	1	
6	PF 1316 16	Panel Front Brake	1	
7	30 1510 38	O Ring	1	
8	30 1510 04	Cam Brake	2	
9	31 1510 07	Shoe Brake	2	
10	30 1510 69	Spring	2	
11	KP BB63 01	Bearing-Ball-C3 Clearance	2	
12	30 1510 32	Collar bearing	1	
13	30 1510 33	Seal - Oil	1	
14	KD AA12 22	Washer plain small	1	
15	59 1500 03	Nut U - M12	1	
16	36 DZ00 08	Kit Gear Meter	1	Refer kit list
17	30 1510 42	Washer A	2	
18	JA 1316 06	Bushing	1	
19	30 1511 18	Stopper For Bushing	1	
20	39 1013 21	O Ring	1	
21	KD DB04 08	Washer Spring	1	
22	KB BA04 08	Screw Pan Cross	1	
23	PA 1310 03	Seal oil	1	
24	DZ 1510 32	Collar assembly	1	
25	JA 1316 03	Drum front	1	

Rear Hub (Alloy Wheel)



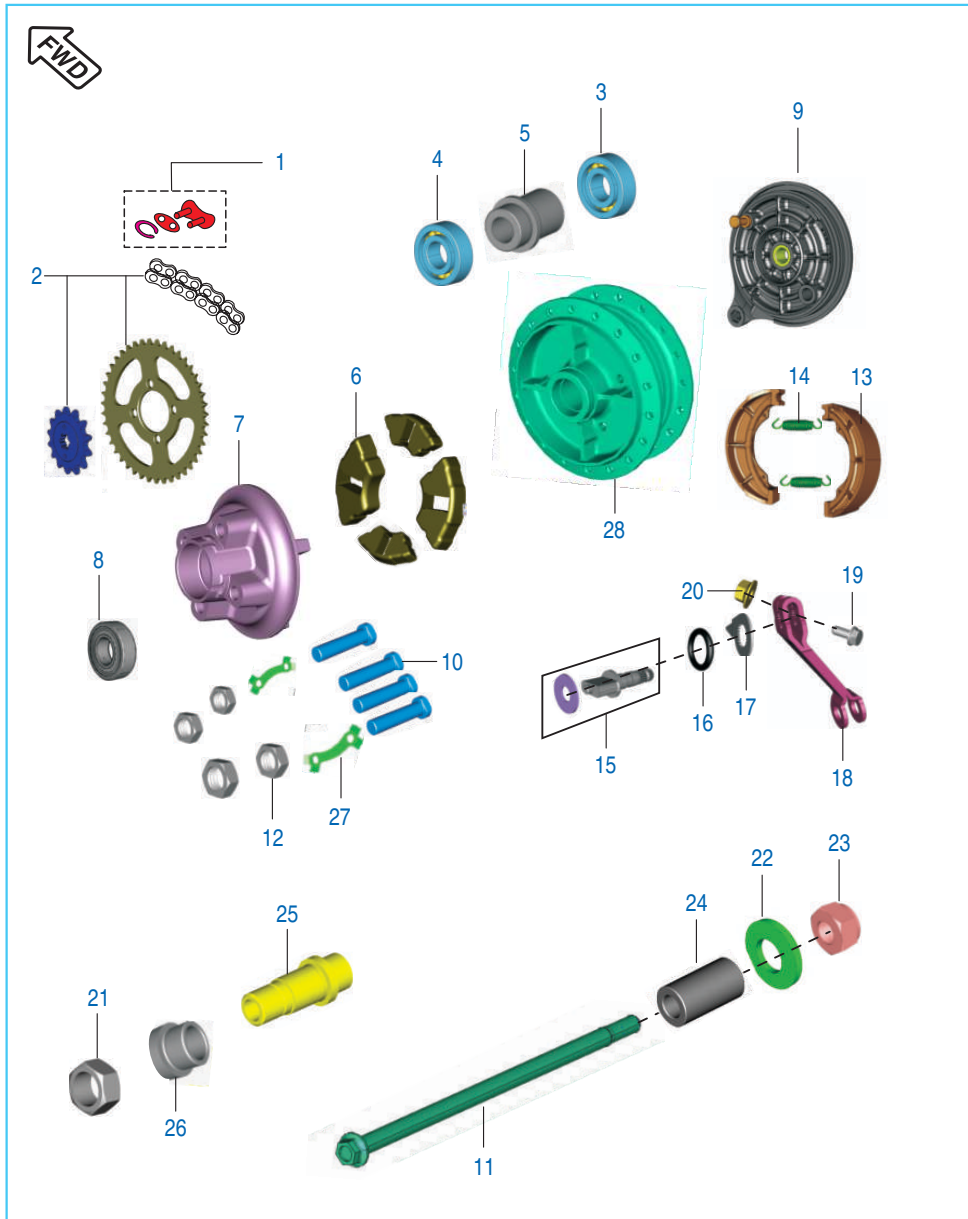
No.	Part No.	Description	CT100 KS	Remarks
1	DX 1510 81	Drive Chain Lock	1	
2	36 DU40 85	Kit Chain Sprocket	1	Refer kit list
3	KP BB63 01	Bearing ball C3 Clearance	1	
4	KP BB62 01	Bearing ball - C3 Clearance	1	
5	31 1510 18	Collar-Bearing	1	
6	31 1510 21	Coupling Rubber	4	
7	DU 1510 10	Coupling	1	
8	KP BC60 04	Ball Bearing	1	
9	JA 1312 05	Panel Rear Brake	1	
10	LA A000 34	'D' Bolt	4	
11	DU 1510 29	Axle Rear	1	
12	KC BA10 06	Nut hex thin - M10	4	
13	31 1510 07	Shoe Brake Assly	2	
14	30 1510 69	Spring	2	
15	JB 1312 23	Cam Brake Assly.	1	
16	30 1510 38	'O' Ring	1	
17	30 1510 05	Wear Indicator	1	
18	DU 1510 46	Lever panel brake rear	1	
19	39 1074 04	Hex Bolt with Flange	1	
20	LC L000 02	Flange Nut	1	

Rear Hub (Spoke Wheel)



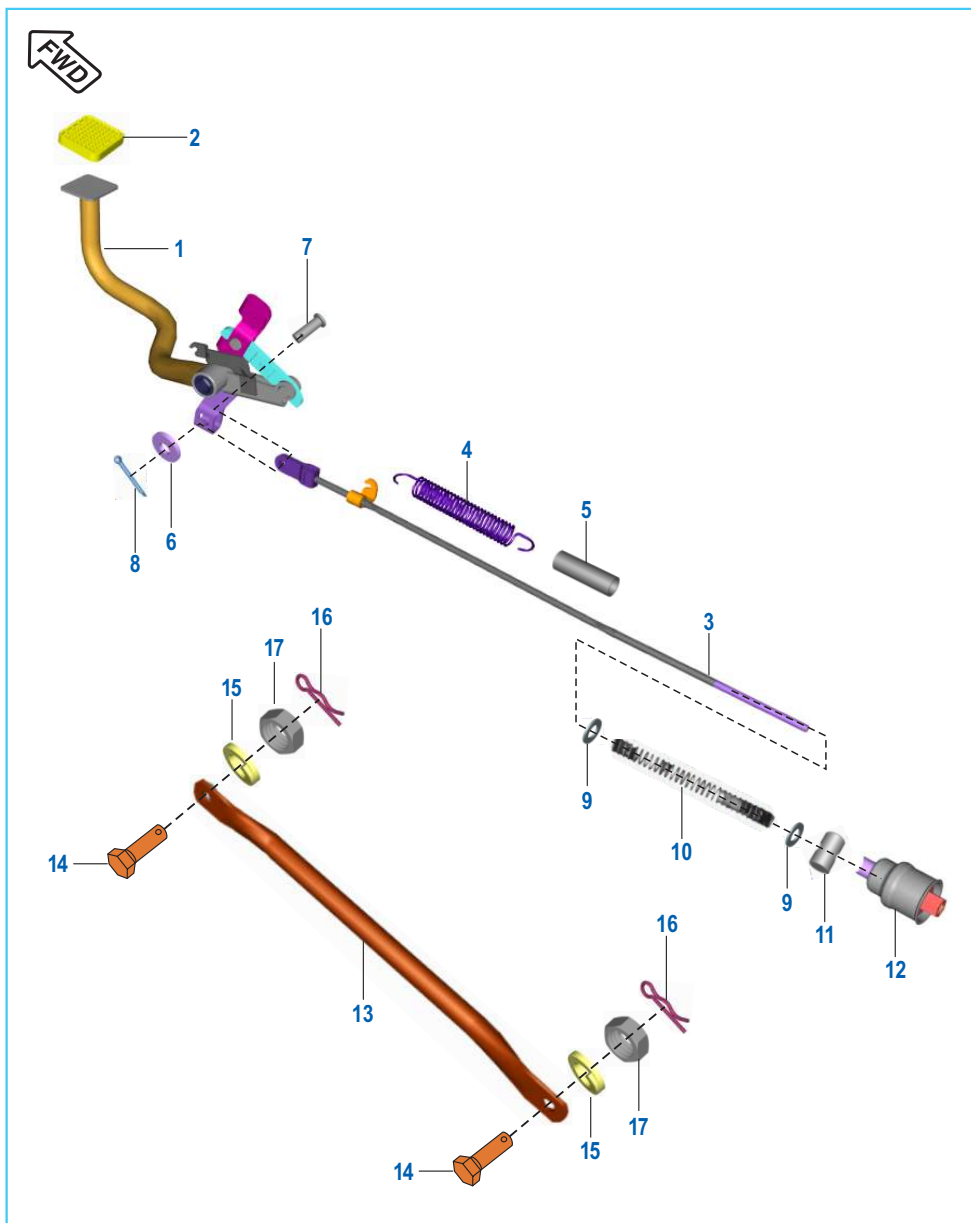
No.	Part No.	Description	CT100 KS	Remarks
1	DX 1510 81	Drive Chain Lock	1	
2	36 DU40 85	Kit Chain Sprocket	1	Refer kit list
3	KP BB63 01	Bearing ball C3 Clearance	1	
4	KP BB62 01	Bearing ball - C3 Clearance	1	
5	31 1510 18	Collar-Bearing	1	
6	31 1510 21	Coupling Rubber	4	
7	DU 1510 10	Coupling	1	
8	KP BC60 04	Ball Bearing	1	
9	31 1510 24	Panel Rear Brake	1	
10	LA A000 34	'D' Bolt	4	
11	DU 1510 29	Axle Rear	1	
12	KC BA10 06	Nut hex thin - M10	4	
13	31 1510 07	Shoe Brake Assly	2	
14	30 1510 69	Spring	2	
15	JB 1312 23	Cam Brake Assly.	1	
16	30 1510 38	'O' Ring	1	
17	30 1510 05	Wear Indicator	1	
18	DU 1510 46	Lever panel brake rear	1	
19	39 1074 04	Hex Bolt with Flange	1	
20	LC L000 02	Flange Nut	1	

Rear Hub (Spoke Wheel)



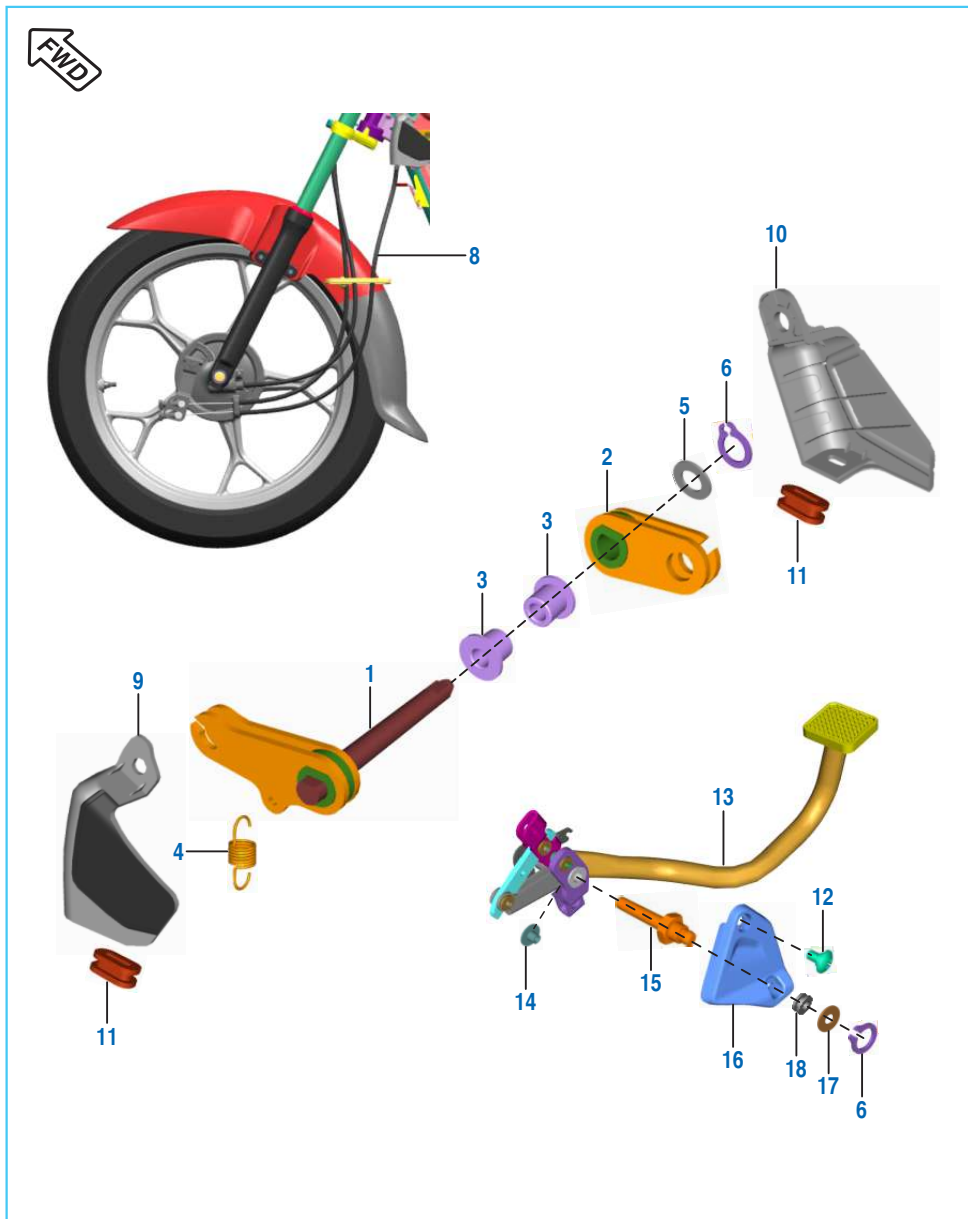
No.	Part No.	Description	CT100 KS	Remarks
21	KC BA18 11	Nut hex thin - M18 x 1.5	1	
22	39 0714 11	Washer Plain	1	
23	59 1500 03	Nut - U M12	1	
24	31 1510 26	Collar	1	
25	31 1510 28	Sleeve Coupling	1	
26	DU 1510 06	Collar	1	
27	31 1510 29	Washer	2	
28	DU 1510 09	Drum rear	1	

Rear Brake Pedal



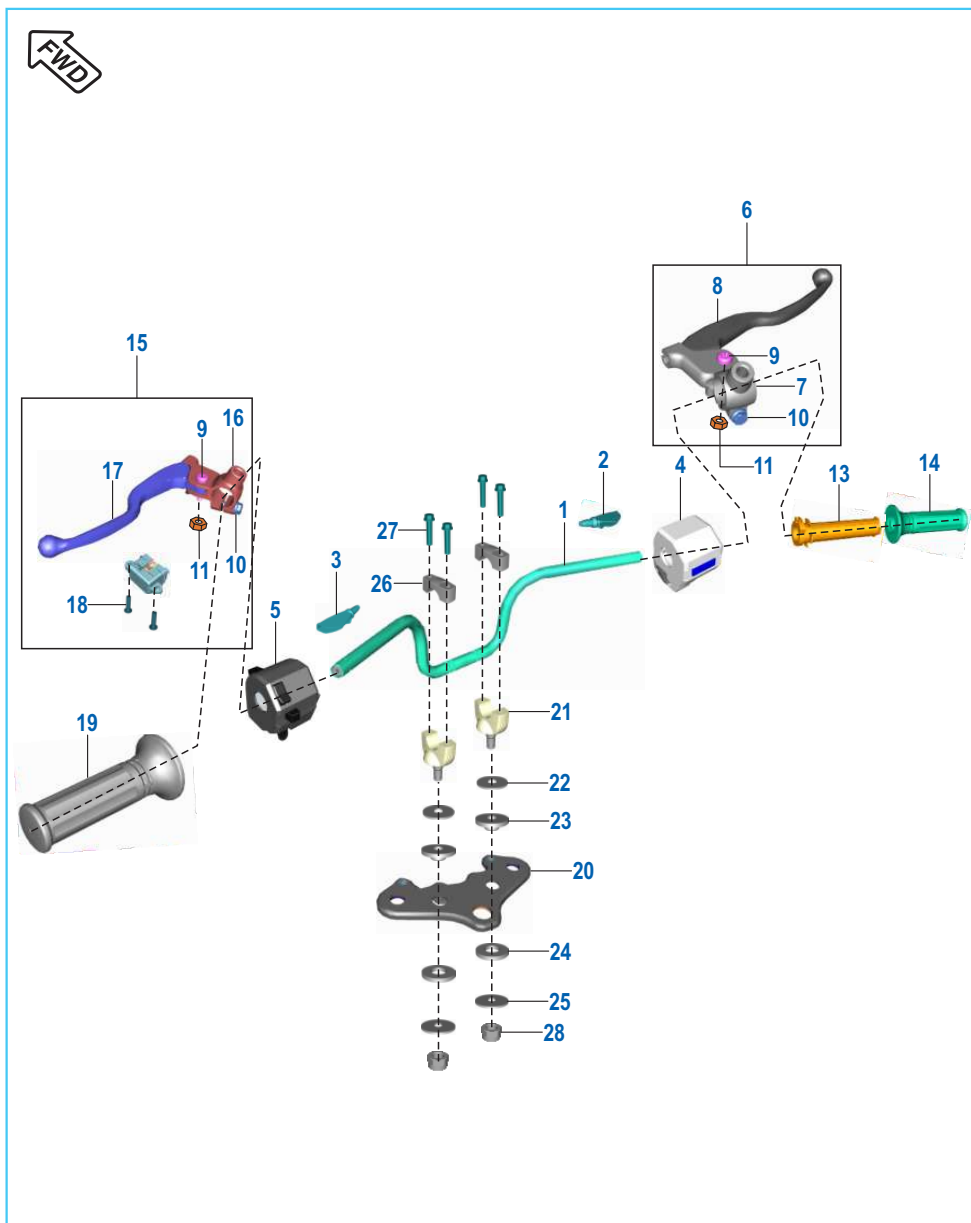
No.	Part No.	Description	CT100 KS	Remarks
1	DU 1510 47	Assembly lever brake tubular	1	
2	JA 1610 03	Damper	1	
3	DY 1610 03	Rod brake	1	
4	JD 1610 02	Spring brake pedal	1	
5	JD 1610 06	Sleeve brake return spring	1	
6	LD B000 19	Washer plain	1	
7	30 1910 38	Pin	1	
8	KH AA20 18	Pin cotter	1	
9	39 0199 11	Plain washer	2	
10	30 1910 35	Spring	1	
11	JC 1910 06	Pin brake rear	1	
12	JH 1610 35	Assembly force distribution	1	
13	DF 1510 16	Rod torque	1	
14	30 1510 95	Hex.bolt	2	
15	KD DB10 18	Washer spring thin	2	
16	KH BA08 28	Pin snap	2	
17	KC BA10 06	Nut hex thin - M10	2	

CBS - Combined Braking System



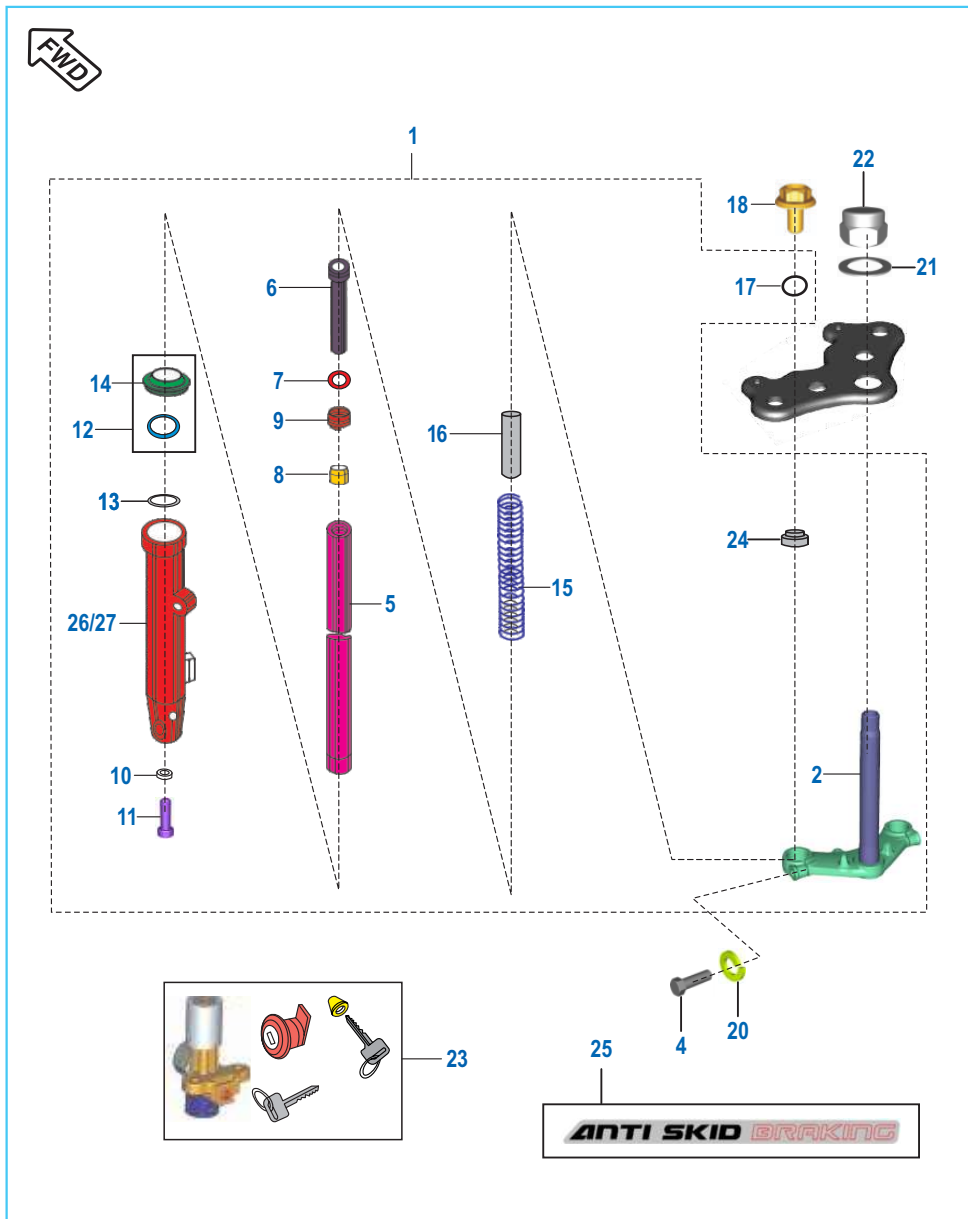
No.	Part No.	Description	CT100 KS	Remarks
1	PF 1610 29	Lever distributor LH	1	
2	PF 1610 30	Lever distributor RH	1	
3	PF 1138 01	Collar	2	
4	DU 1510 58	Spring	1	
5	KD AB06 11	Washer plain small	1	
6	LE A000 03	Circlip external 6 x 0.7	2	
7	DU 1510 55	Cable pedal - unit distributor	1	N.I.
8	DU 1510 56	Cable unit distributor - Front panel	1	
9	PF 1610 31	Cover unit distributor LH	1	
10	PF 1610 32	Cover unit distributor RH	1	
11	PF 1610 33	Grommet	2	
12	AL 2414 81	Screw stepped M6 x 1 x 11	2	
13	DU 1510 47	Assembly pedal brake	1	
14	JH 1610 38	Sleeve pivot brake pedal CBS	1	
15	LA A000 49	Bolt - M6	1	
16	DU 1613 26	Cover link CBS	1	
17	LD B000 75	Washer plain	1	
18	DU 1510 61	Grommet	1	

Handle Bar Assembly



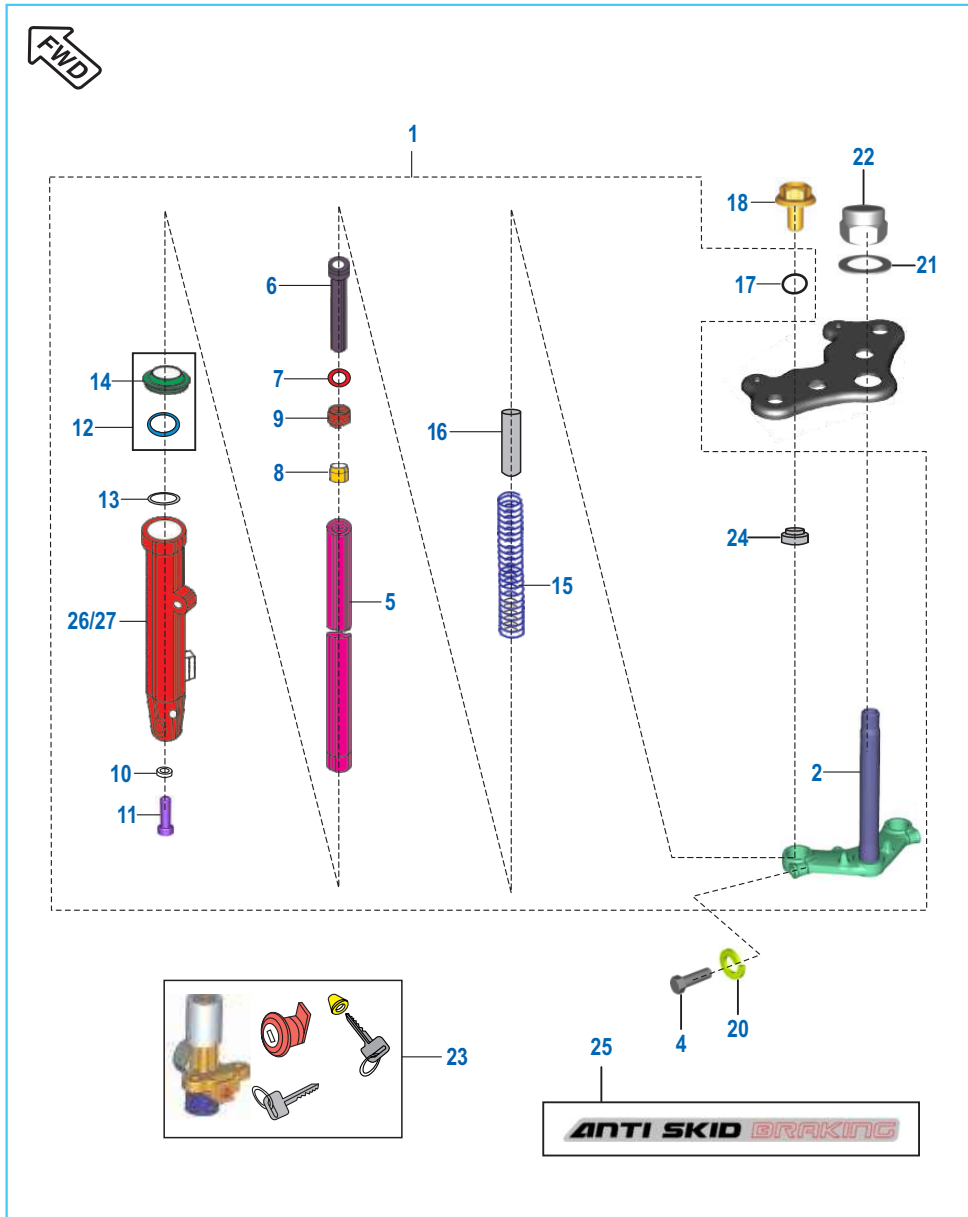
No.	Part No.	Description	CT100 KS	Remarks
1	DU 1811 14	Handlebar	1	
2	DS 1910 18	Boot for lever RH	1	
3	DS 1910 52	Lever boot LH	1	
4	DU 1910 56	Switch control RH	1	
5	JB 4014 00	Control switch LH	1	
6	PF 1610 11	Assembly lever holder RH	1	
7	PF 1610 12	Holder lever RH	1	
8	DD 1911 42	Lever - grip :- right	1	
9	JZ 1610 28	Lever pivot bolt	2	
10	39 1553 04	Bolt - flange M6	2	
11	39 1184 15	Nyloc nut - M5 x 0.8	2	
12	DD 2011 70	Switch assembly (with lever)	1	N.I.
13	PF 1610 13	Pipe throttle	1	
14	PF 1610 07	Grip assy RH	1	
15	PF 1610 16	Assembly lever holder LH	1	
16	PF 1610 10	Holder lever LH	1	
17	PF 1610 15	Lever clutch	1	
18	LB U000 12	Screw	2	
19	PF 1610 05	Hand grip LH	1	
20	DD 1812 05	Holder - fork upper	1	

Front Fork



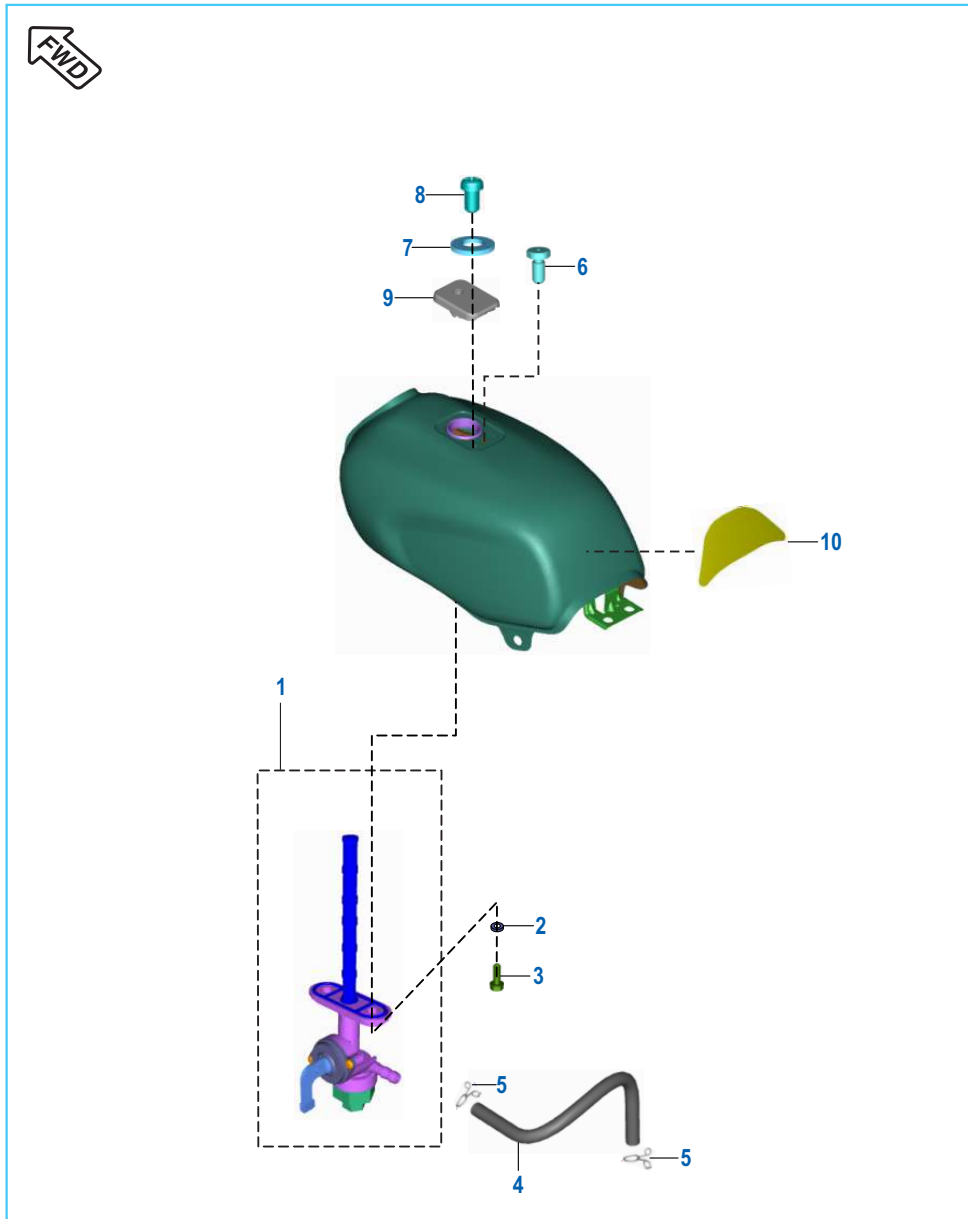
No.	Part No.	Description	CT100 KS	Remarks
1	DU 1811 25	Fork front	1	
2	DD 1812 07	Bracket assembly under	1	
3	DU 1811 34	Leg assembly LH	1	
4	KA AD10 35	Bolt	2	
5	DM 1810 36	fork pipe spinning	2	
6	PA 1210 41	Seat pipe	2	
7	30 1810 20	Piston ring	2	
8	31 1810 19	Cap oil lock	2	
9	DM 1810 08	Rebound spring	2	
10	30 1810 26	Gasket	2	
11	KA CF08 30	Bolt socket - M8 x 1.25 x L30	2	
12	DU 1811 08	Fork oil seal	2	
13	31 1811 08	Oil seal stoper	2	
14	DD 1810 32	Seal dust	2	
15	DE 1810 31	Main spring	2	
16	JK 1210 08	Spacer tube	2	
17	30 1810 29	'O' ring	2	
18	30 1810 44	Fork Bolt	2	
19	DU 1811 35	Leg assembly RH	1	
20	KD DB10 18	Washer spring thin	2	

Front Fork



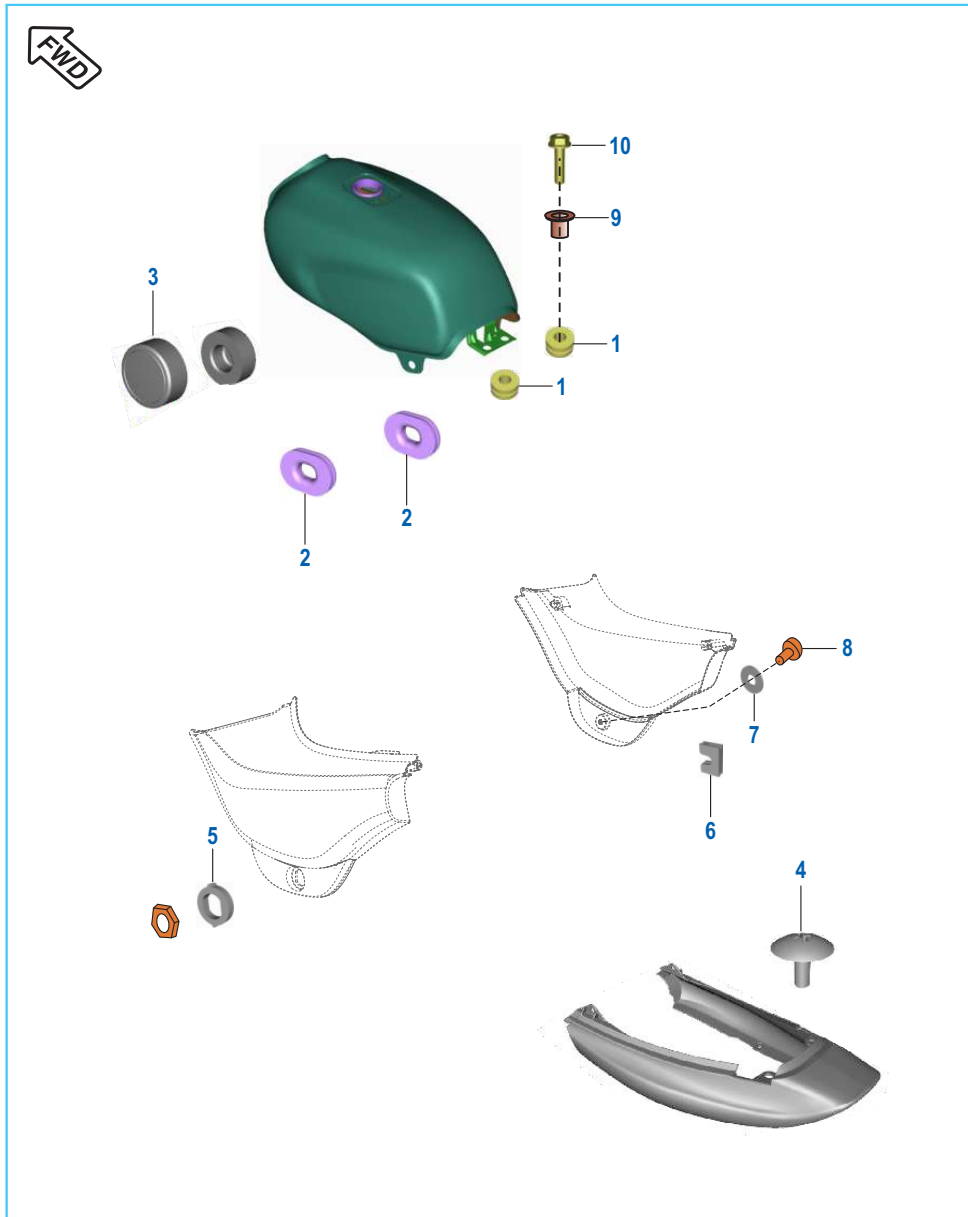
No.	Part No.	Description	CT100 KS	Remarks
21	DF 1810 89	Washer - plain	1	
22	FD 1810 12	Nut - cap - special	1	
23	DU 1811 11	Lock set	1	
24	DF 1810 85	Fork bolt	2	
25	DU 0101 42	Decal anti skid on outer tube	2	
26	YDU19001	LH Outer Tube Endurance	1	
	YDU19003	LH Outer Tube Gabriel	1	
27	YDU19004	RH Outer tube Gabriel	1	
	YDU19002	RH Outer tube Endurance	1	

Petrol Tank Cap & Fuel Cock



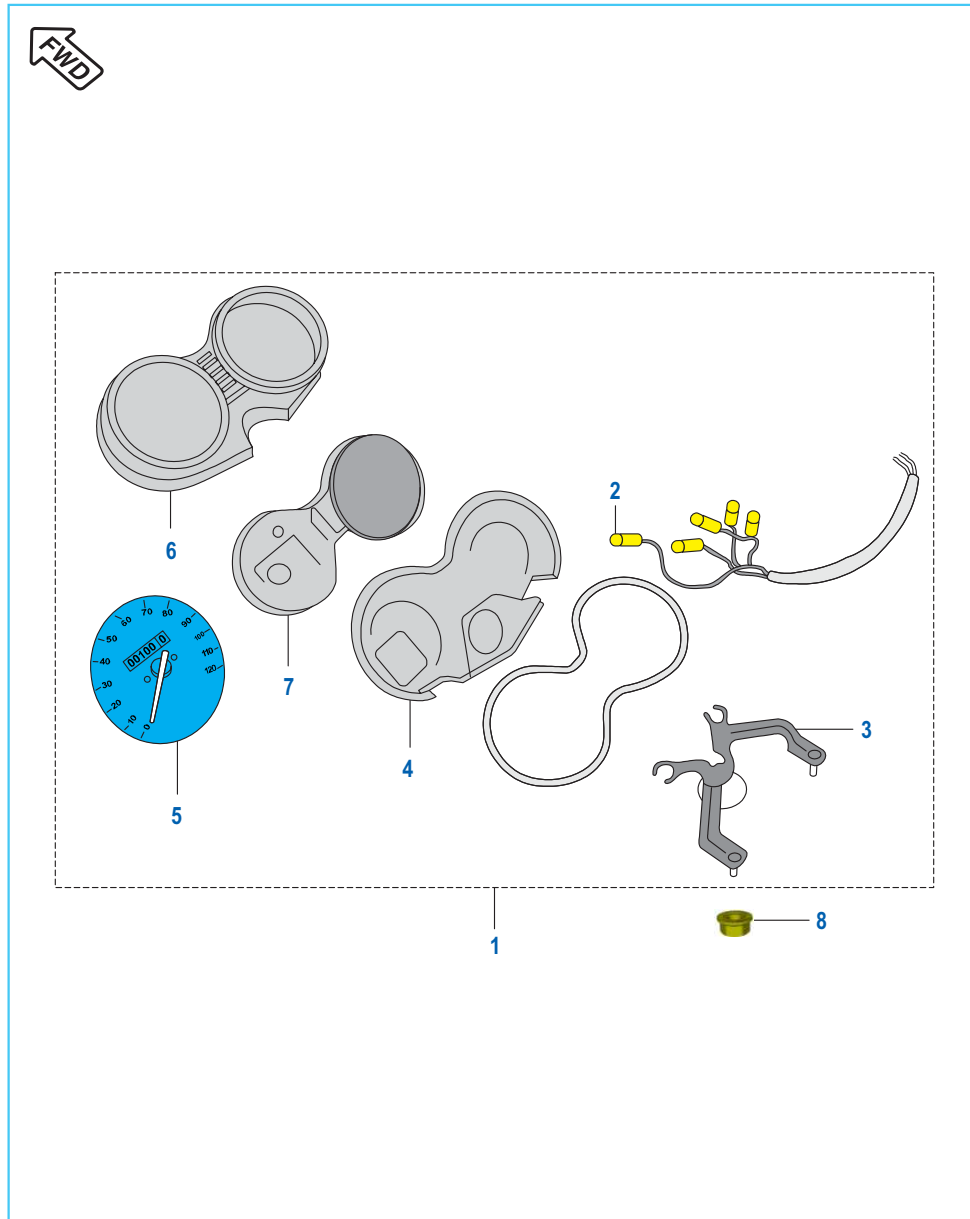
No.	Part No.	Description	CT100 KS	Remarks
1	DU 1410 95	Fuel cock assy	1	
2	39 0740 11	Washer (non metallic)	2	
3	DD 1412 27	Bolt - flanged	2	
4	PF 1718 03	Pipe fuel- E10 (L185)	1	
5	33 1410 08	Clamp	2	
6	DU 1413 01	Bush vapour	1	
7	LD A000 43	Washer	2	
8	LB B000 06	Screw pan head - M5	2	
9	DU 1412 58	Cap fuel tank EVAP	1	
10	DU 1410 14	Seatlab	1	

Fittings - Petrol Tank, Side Covers & Seat Cowl



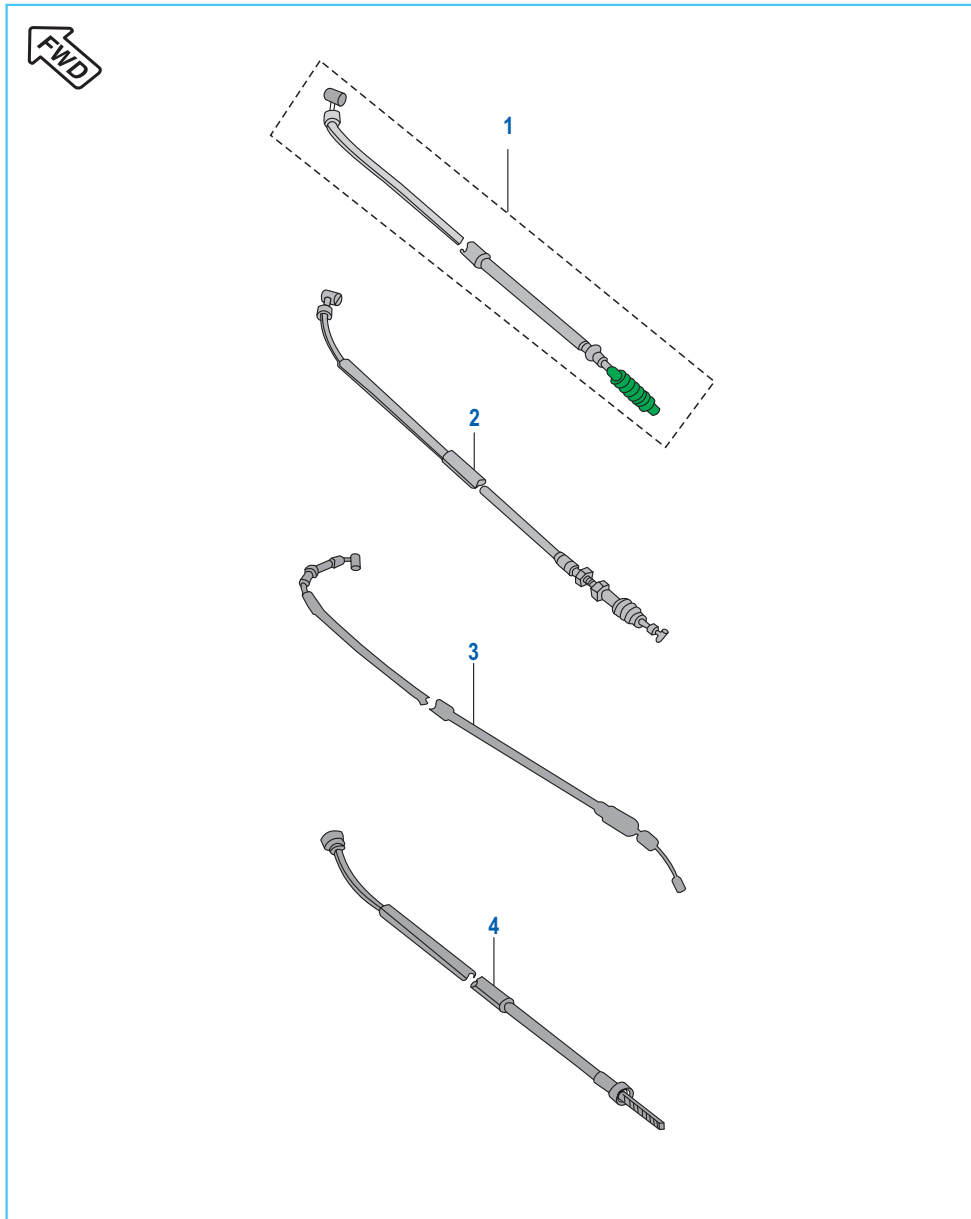
No.	Part No.	Description	CT100 KS	Remarks
1	DG 1410 19	Damper	2	
2	JZ 1711 24	Grommet	2	
3	DF 1411 28	Damper fuel tank mtg PVC rubber	2	
4	DU 1611 19	Screw stepped M6x16 mushroom HD	4	
5	DU 1611 02	Damper	1	
6	DD 1610 22	Damper for side cover	2	
7	39 1789 24	Washer nylon	1	
8	DG 1611 21	Screw	1	
9	DP 2010 37	Collar	2	
10	KA DD06 25	Bolt flanged	2	

Meter Assembly



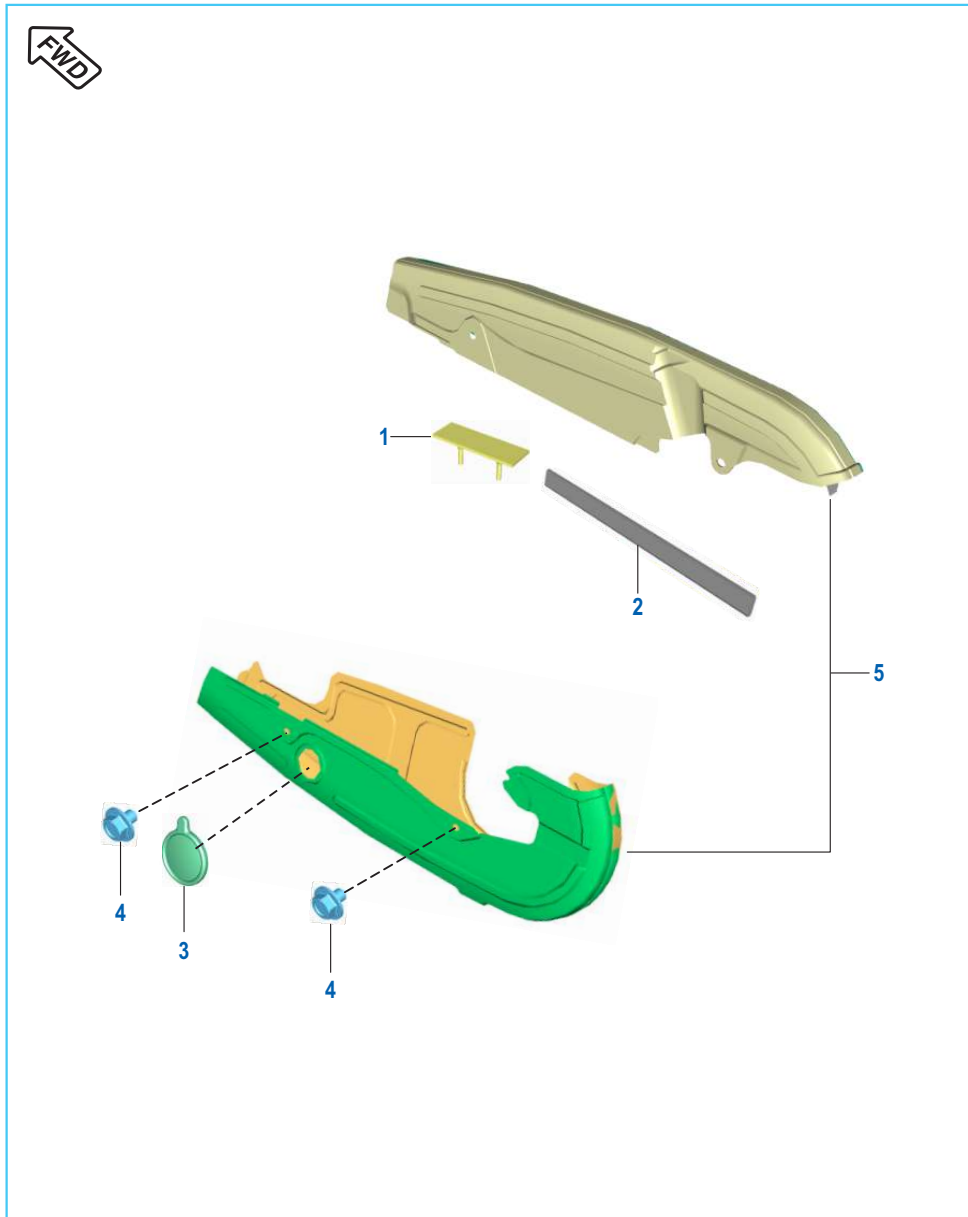
No.	Part No.	Description	CT100 KS	Remarks
1	DM 1910 09	Speed Asy.+Lamp W/O Fuel G	1	
2	CM 2010 54	Lamp 12V 3W	5	
3	DU 1910 29	Bracket Speedo Mtg.	1	Make-JCPPL
4	DU 1910 23	Cover Meter Lower Black	1	Make-JCPPL
	YD U100 03	Cover Meter Lower Black	1	Make-Minda
5	DU 1910 25	Speedometer	1	Make-JCPPL
	YD U100 06	Speedometer with Dial	1	Make-Minda
6	YD U100 07	Cover case upper	1	Make-JCPPL
	YD U100 02	Speedo Top Cover with O-Ring	1	Make-Minda
7	DU 1910 24	Cover (white) W/o Support Plate	1	Make-JCPPL
	YD U100 04	Speedometer Housing	1	Make-Minda
8	39 0798 15	Hex. Nut / Flange	2	
9	YD U100 05	Speedometer Harness	1	Make-Minda
	YD U100 10	Speedometer Harness	1	Make-JCPPL

Control Cables



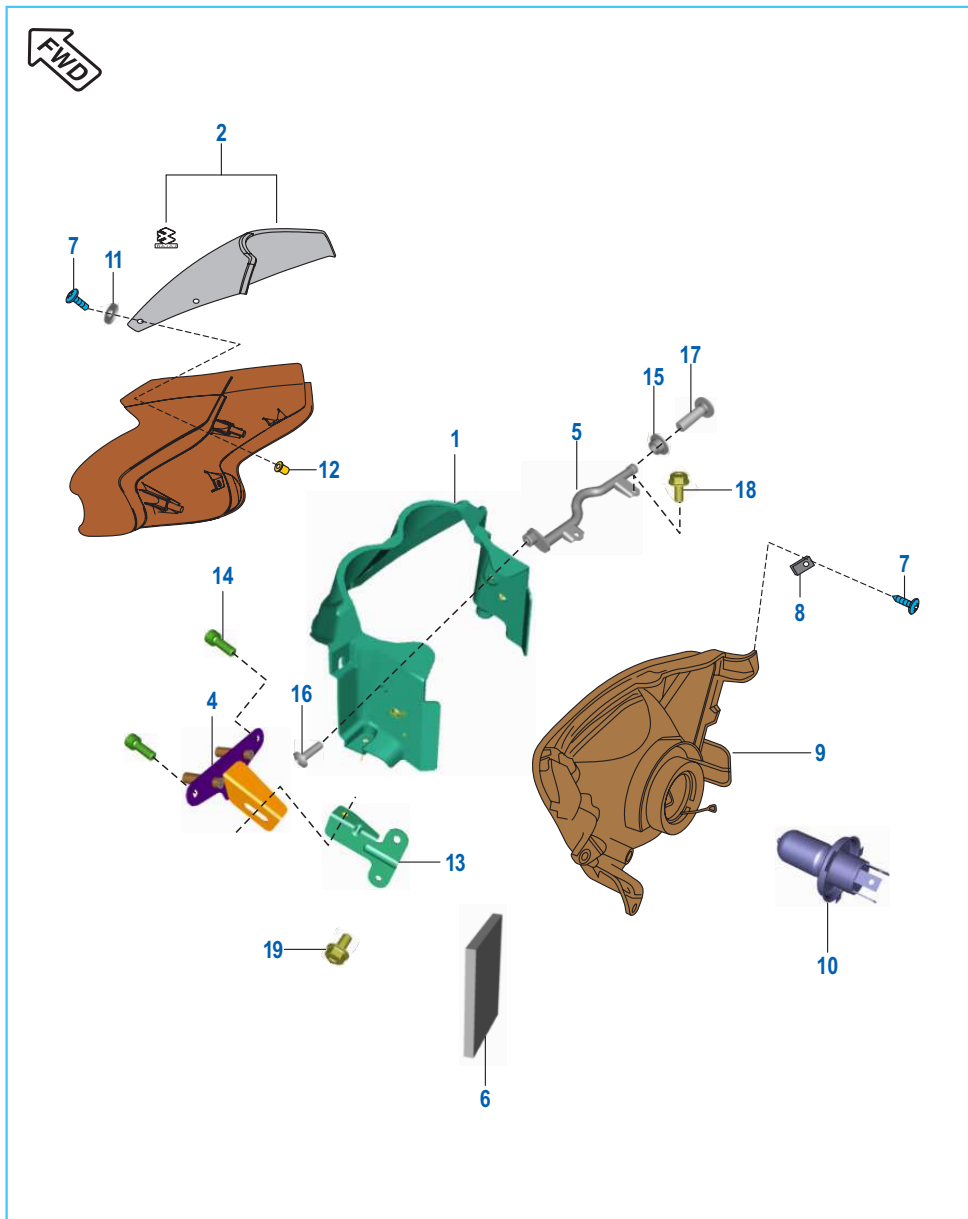
No.	Part No.	Description	CT100 KS	Remarks
1	PF 1612 34	Cable brake front	1	
2	DM 1910 25	Cable clutch	1	
3	DU 1910 58	Cable throttle	1	
4	PA 1612 17	Cable speedometer	1	

Chain Case



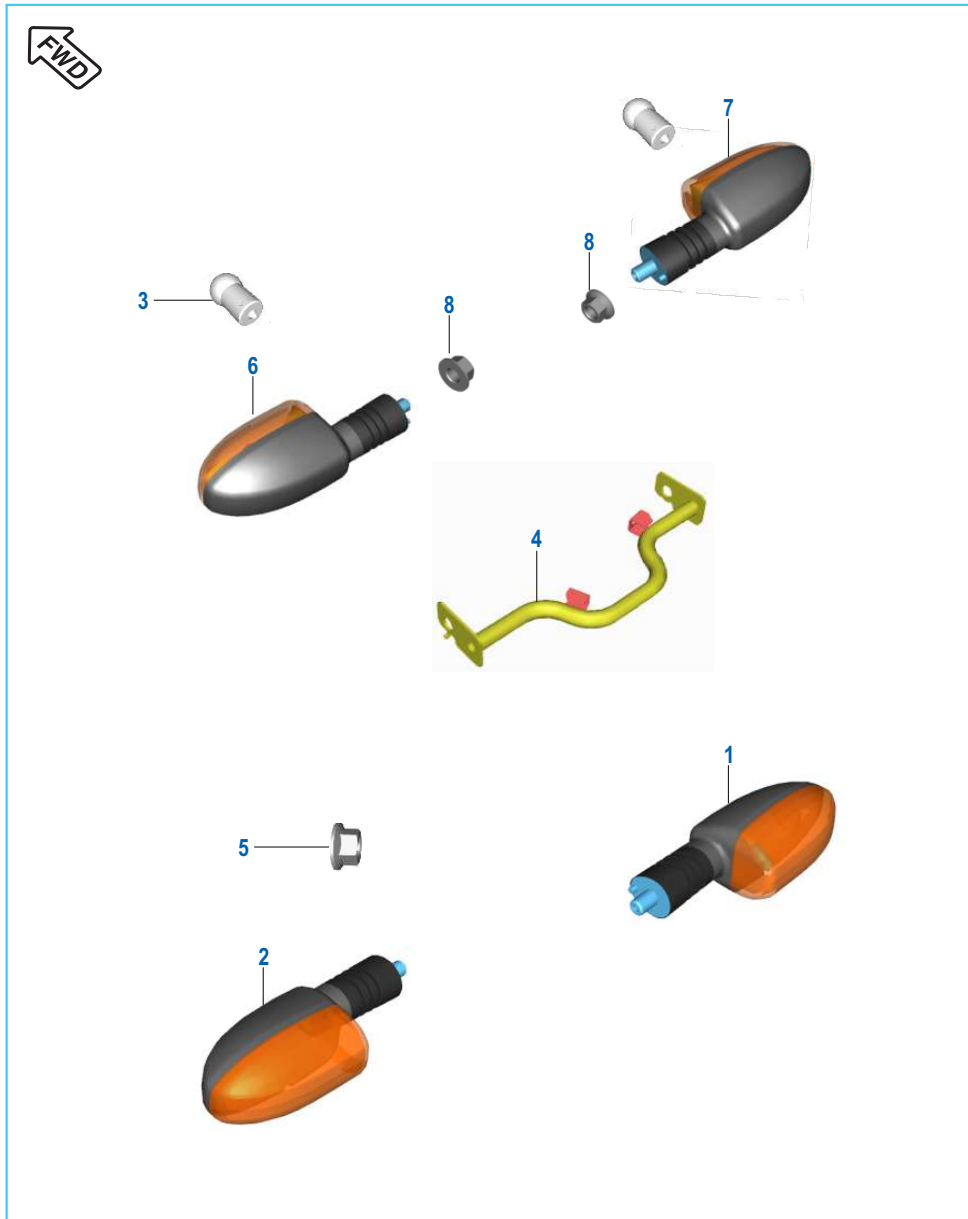
No.	Part No.	Description	CT100 KS	Remarks
1	30 1612 71	Pad - rubber	1	
2	DF 1614 15	Beading chain case	1	
3	DF 1614 16	Cap - case chain	1	
4	DH 1612 83	Bolt flanged M6	4	
5	36 DU40 04	Kit chain chase cover	1	Refer Kit list

Head Lamp & Fairing



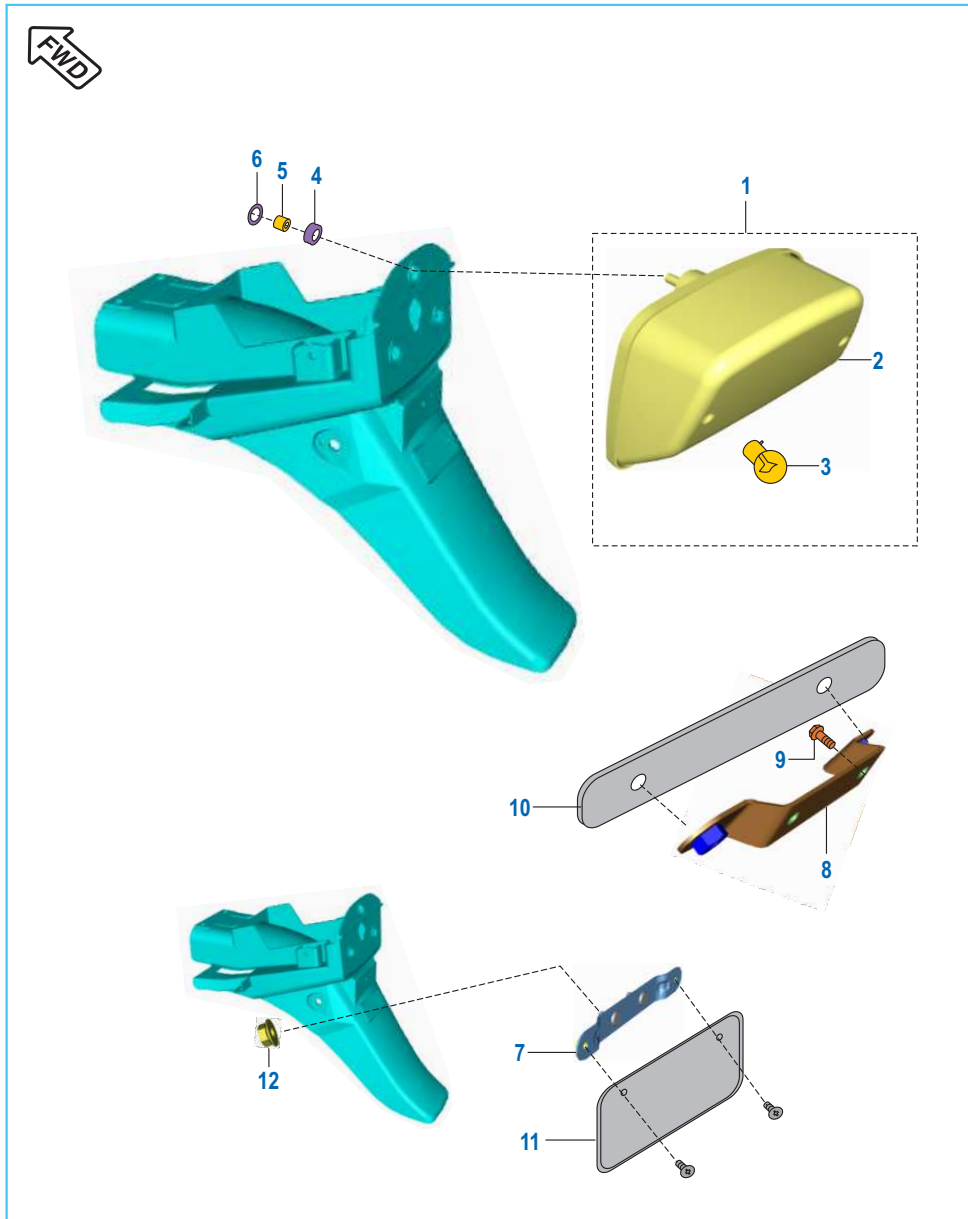
No.	Part No.	Description	CT100 KS	Remarks
1	DU 1810 70	Flap cowling	1	
2	DU 1810 45	Wind shield + Label bajaj	1	
3	DU 2011 11	Clamp wire for H/L	1	N.I.
4	DD 1811 83	Bracket cowling lower	1	
5	DU 1810 47	Cowling bracket	1	
6	JN 1810 31	Foam fairing	2	
7	DF 1810 98	bolts M5 x 14l SS	9	
8	35 1610 60	Nut - clip	5	
9	DU 2011 08	Lamp assy head lens + reflector	1	
10	CL 2010 23	Lamp 12v 35 x 35w	1	
11	39 2141 24	Washer, nylon, 5.3 x 11.5 x 1.5	9	
12	DL 1810 10	Nut - well m5	4	
13	DD 1811 84	Bracket fork lower	1	
14	KB BA06 16	Pan pan cross	2	
15	DD 1811 86	Collar	2	
16	39 0813 02	Screw - cross rec pan head tapping	4	
17	JW 1710 16	Round head screw	2	
18	KA DD06 14	Bolt flanged	2	
19	KA DD06 12	Bolt flanged	2	
20	DU 2011 10	Cap dust for HS1 lamp	1	N.I.

Indicator Light Assembly



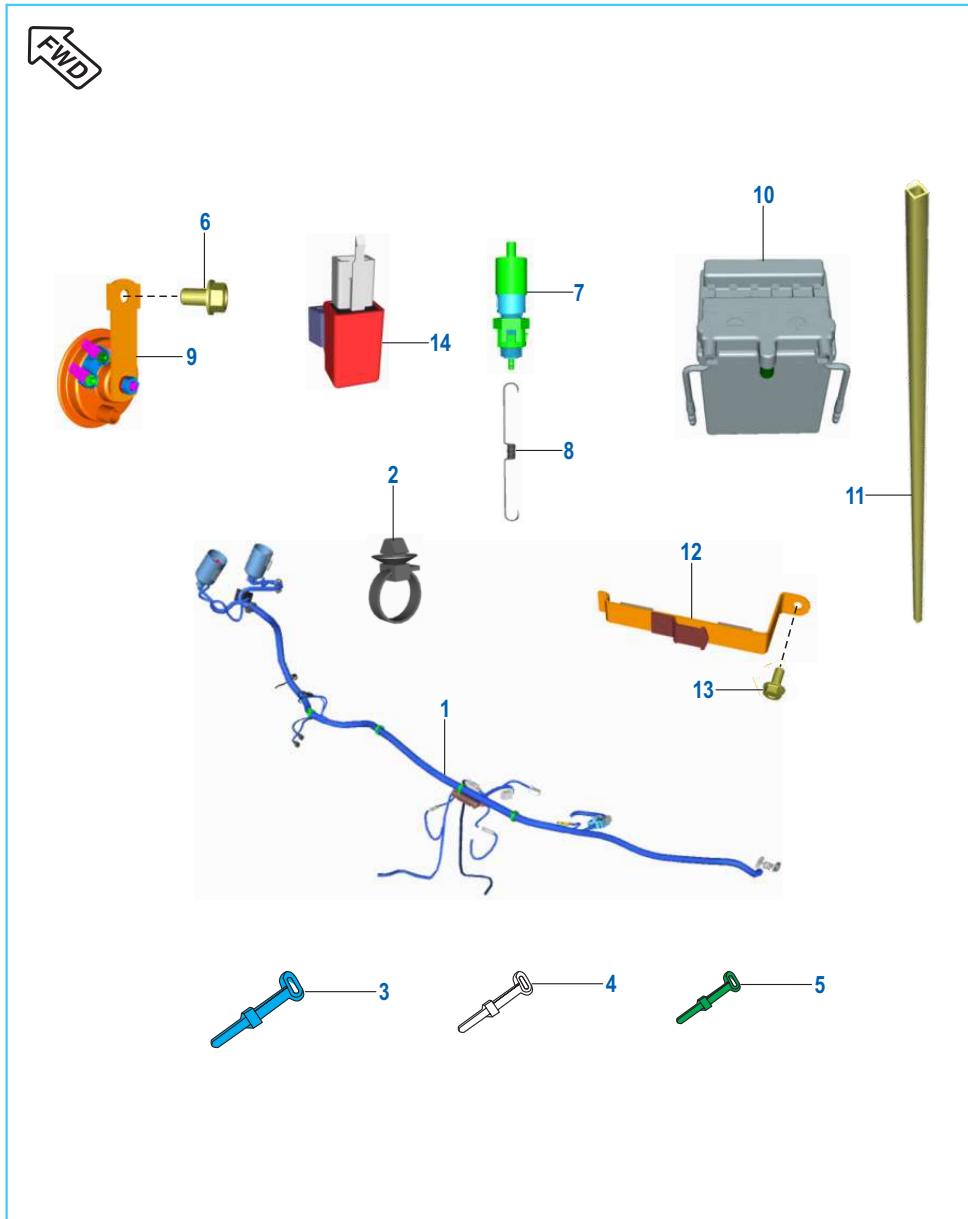
No.	Part No.	Description	CT100 KS	Remarks
1	DU 2010 14	Lamp - DIR. Indicator : RR - RH	1	
2	DU 2010 12	Lamp - DIR. Indicator : RR - LH	1	
3	06 2010 83	Lamp 12v 10w	4	
4	DD 1811 92	Bracket signal	1	
5	KC GA10 10	Nut hex flange	2	
6	DU 2010 08	Lamp - DIR. Indicator : FR - LH	1	
7	DU 2010 10	Lamp - DIR. Indicator : FR - RH	1	
8	LC L000 01	Nut hex flange - M10	2	

Tail Lamp Assly / Number Plate



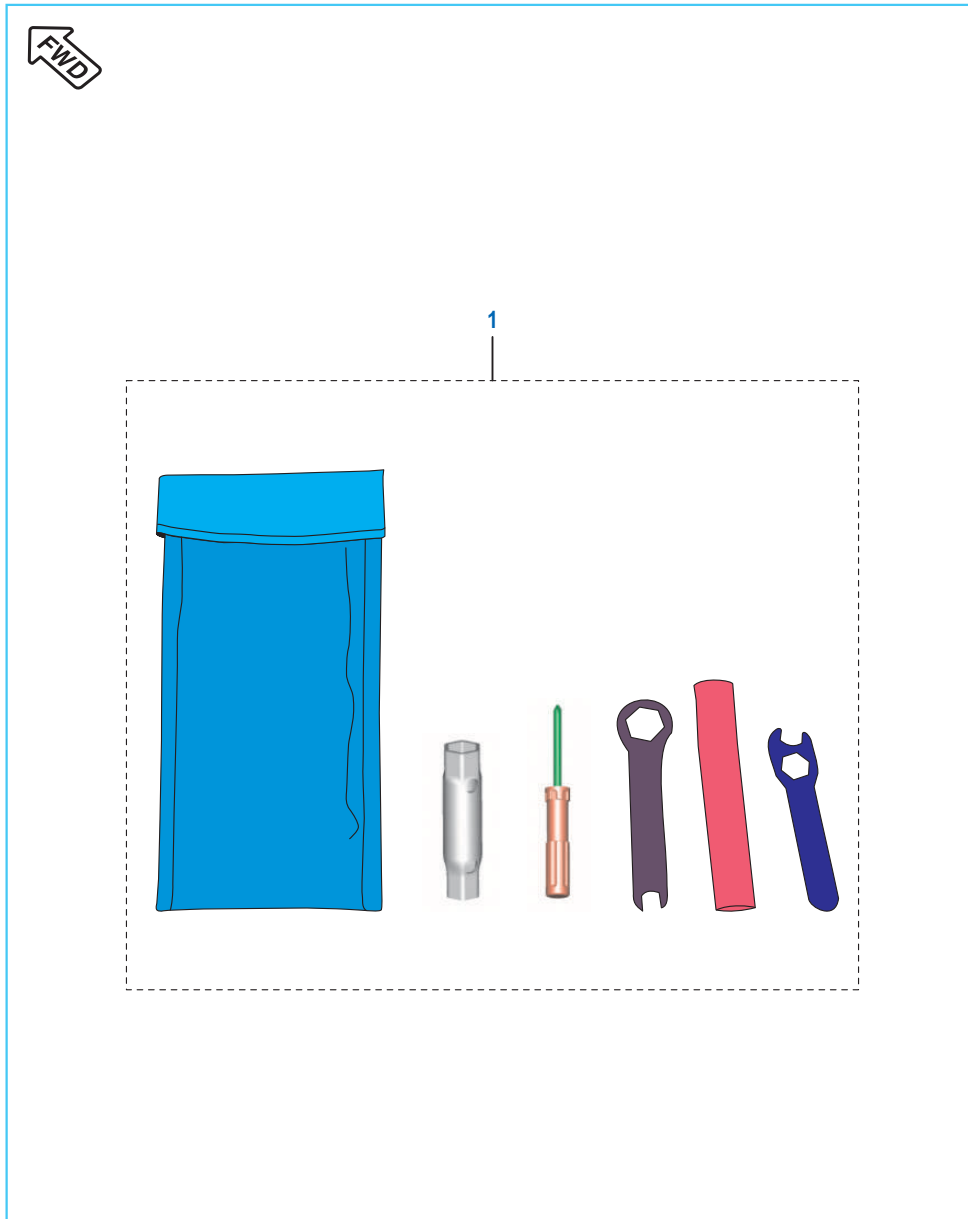
No.	Part No.	Description	CT100 KS	Remarks
1	DU 2010 23	Lamp assembly tail with lamp	1	
2	DU 2010 24	Lamp assembly tail w/o lamp	1	
3	31 2010 28	Lamp 12v 10 / 5w	1	
4	DD 2010 11	Damper	3	
5	31 2010 01	Collar	3	
6	39 0211 11	Washer plain	3	
7	DZ 1612 65	Bracket number plate rear mtg	1	
8	DD 1811 87	Bracket number plate Front	1	
9	KA DA06 12	Bolt flanged	2	
10	DP 1611 44	Front Number plate	1	
11	DP 1611 45	Number plate Rear	1	
12	KC GA06 06	Nut hex flanged	2	

Electrical Equipments



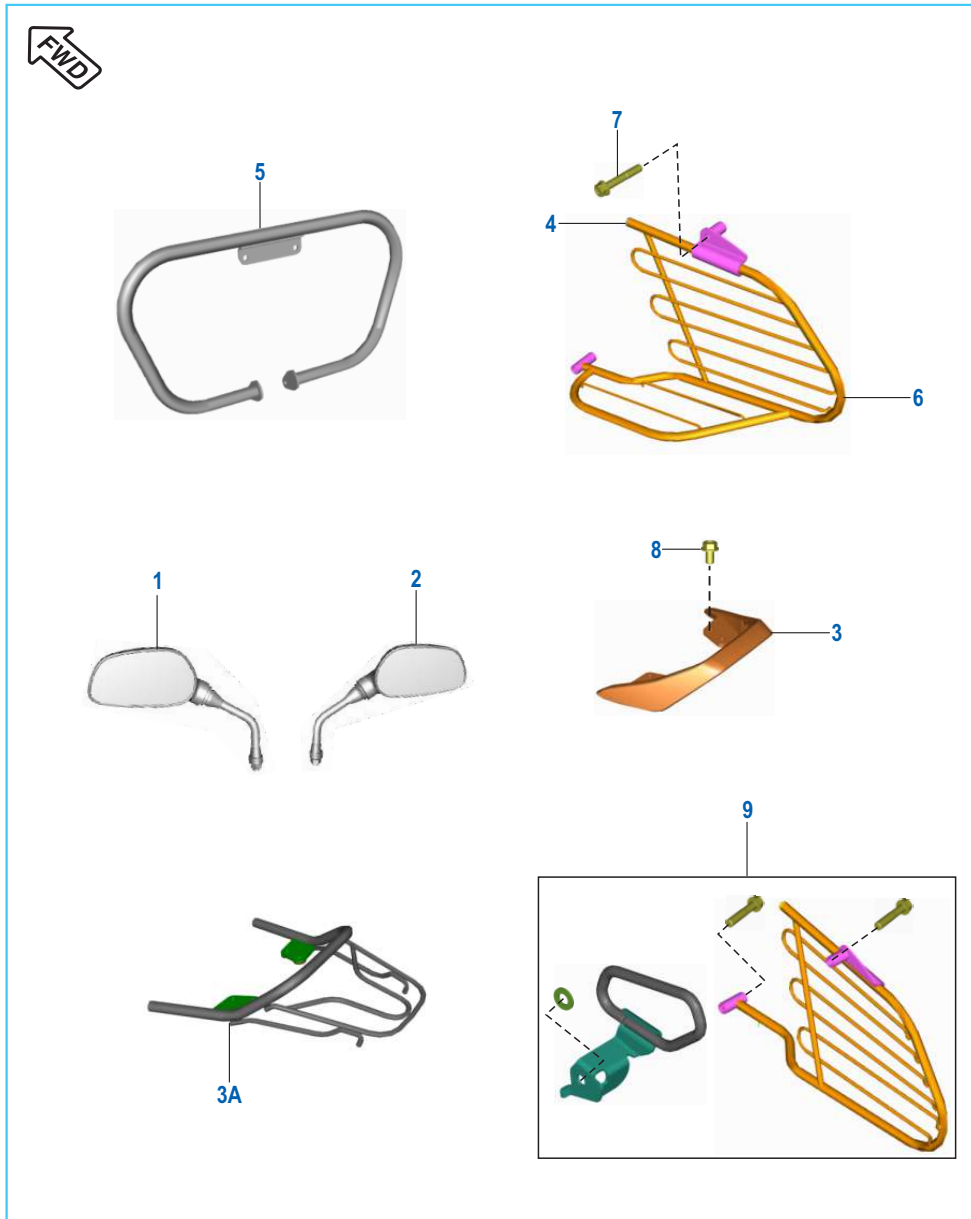
No.	Part No.	Description	CT100 KS	Remarks
1	DU 2011 21	Harness wiring	1	
2	60 1114 20	Cable tie lock 4.8 1.2 160 PA66 B	2	
3	JD 4022 17	Band (L150)	5	
4	JZ 4022 18	Cable tie (white color L200)	2	
5	31 2010 09	Band	1	
6	KA DD08 14	Bolt flanged	7	
7	31 2010 79	Rear brake switch	1	
8	DY 4014 00	Spring rear brake switch	1	
9	DZ 2010 38	DC horn	1	
10	31 2010 27	Battery	1	
11	31 2010 38	Drain tube 500 mm	1	
12	DY 4018 00	Clamp battery	1	
13	KA DF06 14	Bolt flanged	1	
14	DS 2010 25	Assy DC flasher (SS)	1	

Tool Kit



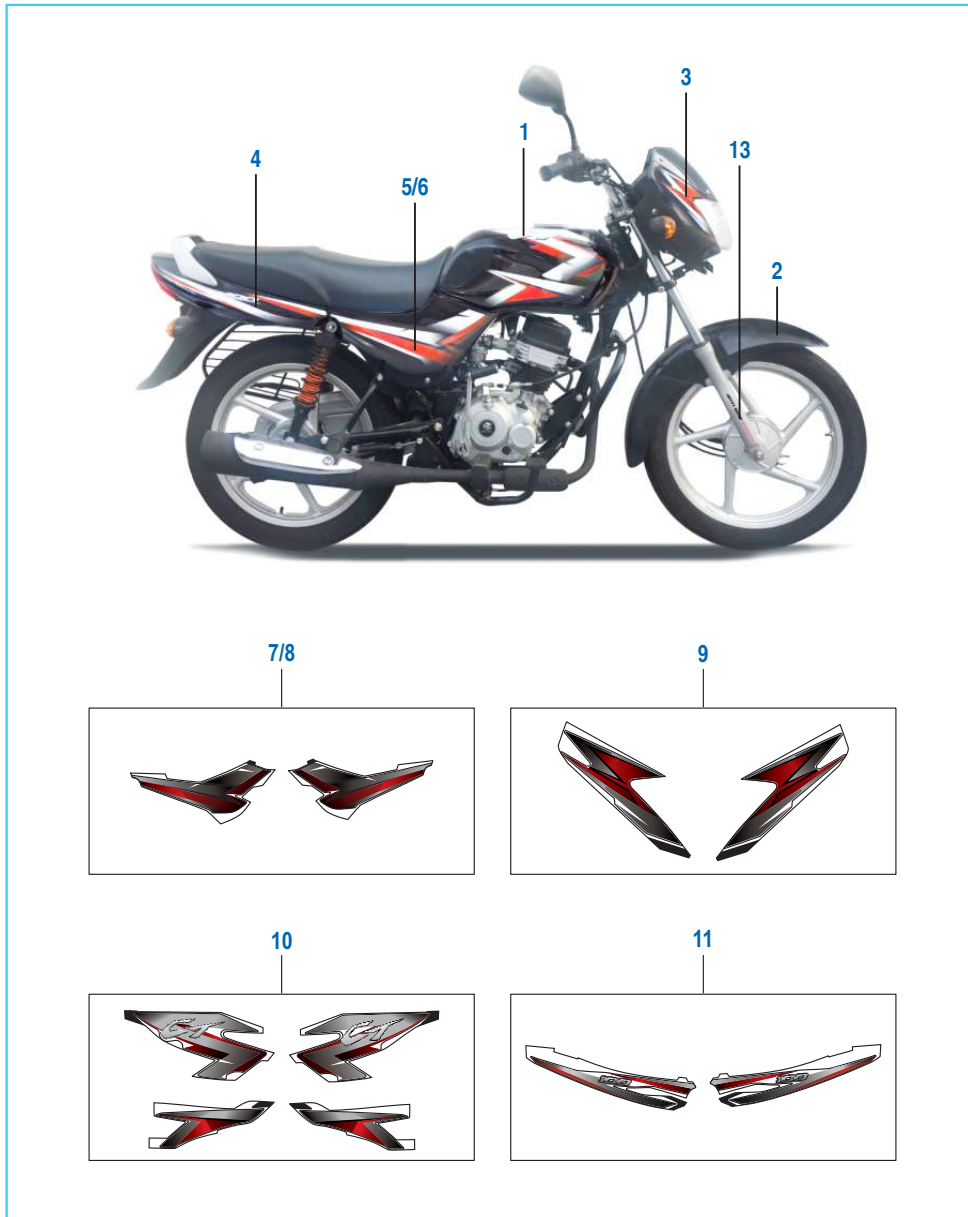
No.	Part No.	Description	CT100 KS	Remarks
1	PA 2310 02	Tool kit	1	

Accessories / Grab Handle



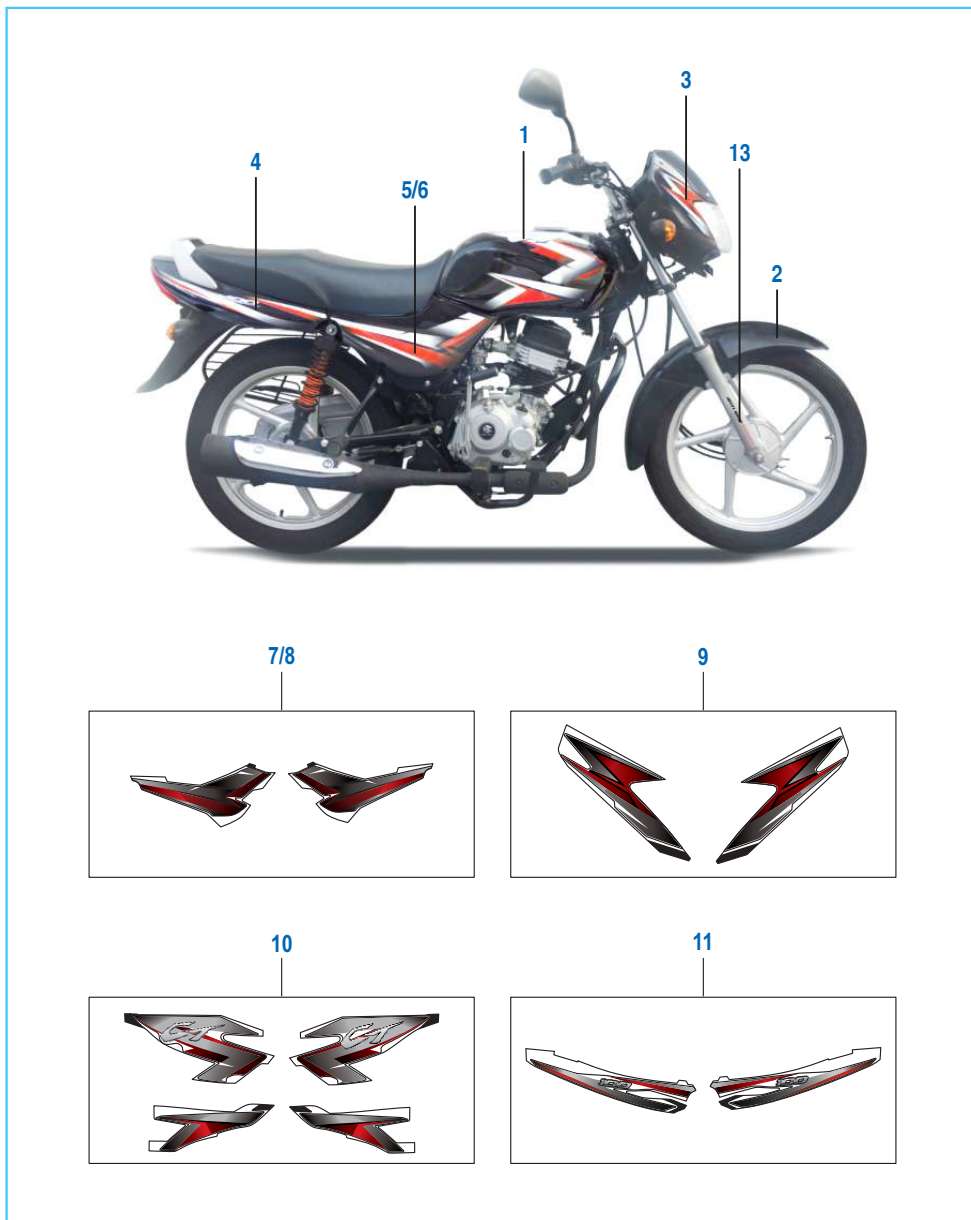
No.	Part No.	Description	CT100 KS	Remarks
1	DJ 2210 03	Mirror assembly LH	1	
2	DJ 2210 04	Mirror assembly RH	1	
3	DU 2210 01	Grip frame (Die Cast)	1	
3A	DU 2210 17	Grip frame - tubular black	1	For Spoke
4	DS 2210 01	Plug for tube	2	
5	DZ 2210 11	Guard - leg	1	
6	DU 2210 15	Guard sari	1	
7	LA D001 43	Bolt flanged - M10 x 1.5 x L60	1	
8	39 1814 04	Bolt flanged	4	
9	36 DU41 03	Kit Saree Guard + Grab + Fitting	1	Refer kit list

Painted Parts and Decals



No.	Part No.	Description	CT100 KS	Remarks
1	52DU0829	Tank With Blue Dec Light Bl	1	
	52DU0827	Tank With Ebony Blk Blue Dkl	1	
	52DU0826	Tank With Ebony Blk Red Dkl	1	
	52DU0828	Tank With Flame Red Decal	1	
2	DU730722	Front Fender Eb.Blk	1	
	DU7307X4	Front Fender Fl.Red	1	
	DU73073E	Front Fender Ele.Blu	1	
3	52DU0576	Cowling flame red with decal	1	
	52DU0578	Cowling ebony black with bl decal	1	
	52DU0575	Cowling ebony black with red decal	1	
	52DU0577	Cowling eletron blue with decal	1	
4	52DU0623	Seat cowl flame red with decal	1	
	52DU0625	Seat cowl ebony black wh blue dkl	1	
	52DU0622	Seat cowl ebony black wh red decal	1	
	52DU0624	Seat Cowl Electron Blue With Decal	1	
5	52DU0627	Side cover LH flame red wh decal	1	
	52DU0629	Side cover LH ebony blk wh bl decal	1	
	52DU0626	Side cover LH ebony blk wh red decal	1	
	52DU0628	Side Cover Lh Electron Blue With Decal	1	
6	52DU0631	Side cover RH flame red wh decal	1	
	52DU0633	Side cover RH ebony blk wh bl decal	1	
	52DU0630	Side cover RH ebony blk wh red decal	1	
	52DU0632	Side Cover Rh Electron Blue With Decal	1	
7	DU161239	Decal side cover LH black red	1	
	DU161241	Decal side cover LH flame red	1	

Painted Parts and Decals



No.	Part No.	Description	CT100 KS	Remarks
	DU161245	Decal side cover LH black blue	1	
	DU161243	Cover Side Decal Lh Ele Blue	1	
8	DU161240	Decal side cover RH black red	1	
	DU161242	Decal side cover RH flame red	1	
	DU161246	Decal side cover RH black blue	1	
	Du161244	Cover Side Decal Rh Ele Blue	1	
9	36DU4119	Kit cowling decals bl red	1	
	36DU4120	Kit cowling decals fl red	1	
	36DU4121	Kit cowling decals Eletron Blue	1	
	36DU4122	Kit cowling decals bl blue	1	
10	36DU4057	Kit decal petrol tank bl red	1	
	36DU4058	Kit decal petrol tank fl red	1	
	36DU4060	Kit decal petrol tank bl blue	1	
	36DU4059	Kit decal petrol tank el blue	1	
11	36DU4123	Kit seat cowl decal bl red	1	
	36DU4124	Kit seat cowl decal fl red	1	
	36DU4126	Kit seat cowl decal bl blue	1	
	36DU4125	Kit seat cowl decal el red	1	
12	36DU4065	Kit tank decal black red	1	
	36DU4066	Kit tank decal flame red	1	
	36DU4067	Kit tank decal el blue	1	
	36DU4068	Kit tank decal black blue	1	
13	DU 0101 42	Decal Anti Skid	2	

Consumable Parts

<p>1</p> 	<p>2</p> 	<p>3</p> 
<p>4</p> 	<p>5</p> 	<p>6</p> 
<p>7</p> 	<p>8</p> 	<p>9</p> 
<p>10</p> 	<p>11</p> 	<p>12</p> 

No.	Part No.	Description	Supply Unit	Application
1	36 0010 61 83 0204 11 83 0203 34	Bajaj Genuine Oil 10W50 Bajaj Genuine Oil 10W30* Bajaj Genuine Oil 20W50* (BGO to be ordered to HPCL)	1.5 Ltr. 1 Ltr. 1 Ltr.	Dominar 400 100cc Models 125cc and above models
2	36 0010 58	Bajaj Coolant Koolex*	1 Ltr.	Coolant Top-up/Replace
3	36 DH40 61	Brake Fluid DOT4	100 ml	Disc Brake Top-up/Replace
4	36 DH40 52	Silicon grease	3 gm	Caliper Pin
5	83 0204 73 36 DK00 45	Grease Petamo GHY 441 Grease Molycoat	3 gm 200 gm	Water Pump Seals For Starter Clutch Lubrication
6	36 0010 52 36 JL01 81	HP Lithon RR Grease Limaplex HTX 3 Grease	10 gm 10 gm	Steering Race Steering Race
7	83 0201 73	Multi Purpose Grease* (Local Purchase)	--	Lubrication of Clutch Lever, Brake Lever, Brake Pedal & Side Stand
8	36 0010 55	Chain Lubricant HP Make	1 kg	Non - Sealed Chain Lubrication
9	36 0010 62	Liquid gasket L5910	50 ml	Crankcase Joining
10	36 3140 04 36 JG00 87	Fork oil Fork oil 480 ml (Dominar UG)	160 ml 480 ml	Front Fork Top-up/Replace\ Front Fork Top-up/Replace\ Sealed Drive Chain
11	36 DH40 29	Kit Spray Chain Lub	100 ml	Sealed Drive Chain
12	36 DH40 71	Wonderfill Chain Spray	100 ml	Sealed Drive Chain

* Marked items to be arrange from vendor or local market. Not applicable against chassis number.

<p>13</p> 	<p>14</p> 	<p>15</p> 
<p>16</p> 	<p>17</p> 	<p>18</p> 
<p>19</p> 	<p>20</p> 	<p>21</p> 
<p>22</p> 	<p>23</p> 	<p>24</p> 

Consumable Parts

No.	Part No.	Description	Supply Unit	Application
13	36 DH40 72	Rust Remover Spray Make - Zorric 88 & Wonder fill easiner	100 ml	For Removing Rust from Components
14	76 0109 36	Loctite Thread locker 243*	50 ml	For Screws & Bolts
15	76 0109 37	Loctite retaining compound 638*	50 ml	For Screws & Bolts
16	37 0043 52	Touch up paint slate grey*	440 ml	Touch up of Frame, Swing Arm & Step Holder
17	37 0043 53	Touch up paint Matte Silk black*	440 ml	Touch up of Grab Handle, Handle Bar & Handle Holder
18	36 0010 60	Kibatsu touch up paint*	400 cc	Touch up of Cylinder head, Block & Alloy Wheels
19	37 2240 18	Paint Bottle Schwartz Black*	--	P-200NS Frame Touch-up
20	75 6802 36 NA	Petroleum Jelly (Local Purchase) Distilled Water (Local Purchase)	-- 1 Ltr.	For Battery Terminals For Battery Level Top-up
21	NA	SAE 90 oil (Local Purchase)	-	
22	62 3050 84	WD40 Spray (Local Purchase)	400 ml	Electrical Contact Cleaning Spray
23	36 0010 56	Carburetor Cleaning Spray*		For Cleaning Carburetor
24	37 2540 39	Corrosion Protection Spray* Proto quick LTP902 (To be ordered on Vendor)	--	For Preventing vehicle parts from rusting

* Marked items to be arrange from vendor or local market. Not applicable against chassis number.

Kit List



Sr No	Kit Part No.	Kit Description	Consisting of Following Parts		
			Part No.	Description	Qty/Kit
1	36DZ0008	Kit gear meter screw aw	31151064	Gear speedometer	1
			30151041	Gear meter screw	1
2	36314005	Kit steering cone	DH181026	Bearing race	2
			DH181025	Bearing cone	1
			DH181023	Bearing cone (fork)	1
			36001052	Grease lithon rr3	1
3	36DU1007	Boss kick set	30101233	Boss	1
			30101234	Spring	1
			30101236	Ball – steel	1
			30101235	Pin	1
			39085517	Circlip : e-type	1
4	36PF0061	Kit cam chain guide	JE541016	Guide cam chain slack side	1
			JE521019	Guide cam chain tight	1
5	36JV0006	Valve repair kit	28101129	Spring – seat	2
			CB101009	Seal - valve stem	2
			JA511202	Spring valve	2
			DY511202	Retainer valve	2
			CB101022	Cotter valve	4
6	36DU4085	Kit chain sprocket	DZ151051	Sprocket hub (43T)	1
			JZ551004	Sprocket output 14T disco-h	1
			DY141001	Chain 108 links	1
7	36DU4076	Kit valve intake + exhaust	PF511212	Valve intake	1
			PF511213	Valve exhaust	1
8	36DU4077	Kit assly crankcase RH	PF541074	Crankcase RH	1
			PF541018	Bushing drum	1
			BA102004	Plug	1
9	36JZ0023	Kit primary drive & driven	PF551401	Clutch hsg assly comp	1
			JZ531006	Gear primary drive	1

Kit List



Sr No	Kit Part No.	Kit Description	Consisting of Following Parts		
			Part No.	Description	Qty/Kit
10	36PF0118	Kit piston rings	PF521231	Ring piston top	1
			PF521232	Ring piston second	1
			PF521233	Ring piston oil	1
11	36PF0062	Kit piston ring set	JB521207	Ring piston (Top)	1
			PF521215	Steel 2nd ring piston	1
			PF521204	Ring piston oil	1
12	36PF0045	Kit block piston	PF521022	Cylinder block	1
			PF521210	Assembly piston	1
13	36JE0024	Kit friction	JE551410	Plate clutch friction	5
14	36DU4103	Kit saree guard + grab + fitting	DU161330	Grab Handle Front	1
			DU221019	Guard Saree RH	1
			39258811	Washer plain	1
			39181404	Bolt Flanged	1
			LAD00143	Bolt Flanged - M10 x 1.5 x L60	1
15	36 DU40 04	Kit chain case cover			
16	36DU4119	Kit cowling decals bl-red	DU181090	Cowling decal-RH black red	1
			DU181089	Cowling decal-LH black red	1
17	36DU4120	Kit cowling decals flame red	DU181092	Cowling decal RH flame red	1
			DU181091	Cowling decal-LH flame red	1
18	36DU4122	Kit cowling decals bl blue	DU181097	Cowling decal RH black blue	1
			DU181096	Cowling decal LH black blue	1
19	36DU4124	Kit seat cowl decals fl red	DU161250	Cover seat decal RH	1
			DU161249	Cover seat decal LH	1
20	36DU4125	Kit seat cowl decals el blue	DU161252	Cover seat decal RH	1
			DU161251	Cover seat decal LH	1

Kit List



Sr No	Kit Part No.	Kit Description	Consisting of Following Parts		
			Part No.	Description	Qty/Kit
21	36DU4126	Kit seat cowl decals bl blue	DU161254	Cover seat decal RH	1
			DU161253	Cover seat decal LH	1
22	36DU4123	Kit seat cowl decals bl red	DU161248	Cover seat decal RH	1
			DU161247	Cover seat decal LH	1
23	36DU4057	Kit dcl p tank bl-red	DU141234	Tank decal lower LH black red	1
			DU141235	Tank decal lower RH black red	1
			DU141248	Tank decal upper LH	1
			DU141249	Tank decal upper RH	1
24	36DU4058	Kit dcl p tank fl-red	DU141238	Tank decal lower LH flame red	1
			DU141239	Tank decal lower RH flame red	1
			DU141250	Tank decal upper LH	1
			DU141251	Tank decal upper RH	1
25	36DU4059	Kit dcl p tank el-blue	DU141242	Tank decal lower LH el blue	1
			DU141243	Tank decal lower RH el blue	1
			DU141252	Tank decal upper LH	1
			DU141253	Tank decal upper RH	1
26	36DU4060	Kit dcl p tank bl-blue	DU141246	Tank decal lower LH black blue	1
			DU141255	Tank decal upper RH	1
			DU141254	Tank decal upper LH	1
			DU141247	Tank decal lower RH black blue	1
27	36DU4065	Kit tank decal black red phil	DU141235	Tank decal lower RH black red	1
			DU141234	Tank decal lower LH black red	1
28	36DU4066	Kit tank decal flame red phil	DU141239	Tank decal lower RH flame red	1
			DU141238	Tank decal lower LH flame red	1
29	36DU4067	Kit tank decal el blue phil	DU141243	Tank decal lower RH el blue	1
			DU141242	Tank decal lower LH el blue	1
30	36DU4068	Kit tank decal black blue phil	DU141247	Tank decal lower RH black blue	1
			DU141246	Tank decal lower LH black blue	1

Kit List



Sr No	Kit Part No.	Kit Description	Consisting of Following Parts		
			Part No.	Description	Qty/Kit
31	New no.		DU181093	Cowling decal-LH el blue	1
			DU181094	Cowling decal-RH el blue	1

Parts Index



Part Number	Figure No.	Page No.	Part Number	Figure No.	Page No.
06 2010 83	3	102	30 1612 71	1	98
16 1211 38	7	38	30 1710 18	17	54
16 1510 66	1	64	30 1710 22	11	56
22 1502 41	11	28	30 1810 20	7	86
28 1012 14	5	34	30 1810 26	10	86
30 1010 96	3	34	30 1810 29	17	86
30 1011 42	10	30	30 1810 44	18	86
30 1510 04	8	66	30 1910 35	10	78
30 1510 04	8	68	30 1910 38	7	78
30 1510 05	17	70	31 1011 73	5	14
30 1510 05	17	74	31 1510 07	9	66
30 1510 32	12	66	31 1510 07	9	68
30 1510 32	12	68	31 1510 07	13	70
30 1510 33	13	66	31 1510 07	13	74
30 1510 33	13	68	31 1510 18	5	70
30 1510 38	7	66	31 1510 18	5	74
30 1510 38	7	68	31 1510 21	6	70
30 1510 38	16	70	31 1510 21	6	74
30 1510 38	16	74	31 1510 24	9	74
30 1510 42	17	66	31 1510 26	24	72
30 1510 42	17	68	31 1510 26	24	76
30 1510 69	10	66	31 1510 28	25	72
30 1510 69	10	68	31 1510 28	25	76
30 1510 69	14	70	31 1510 29	27	72
30 1510 69	14	74	31 1510 29	27	76
30 1510 95	14	78	31 1710 06	15	54
30 1511 18	19	66	31 1710 12	18	54
30 1511 18	19	68	31 1810 19	8	86
30 1611 57	3	60	31 1811 08	13	86
30 1611 58	5	60	31 1910 02	7	52

Parts Index



Part Number	Figure No.	Page No.	Part Number	Figure No.	Page No.
31 2010 01	5	104	36 DU40 82	12	36
31 2010 09	5	106	36 DU40 83	4	36
31 2010 27	10	106	36 DU40 84	2	36
31 2010 28	3	104	36 DU40 85	2	70
31 2010 38	11	106	36 DU40 85	2	74
31 2010 79	7	106	36 DU41 03	9	110
31 2010 81	7	24	36 DZ00 08	16	66
33 1410 08	5	90	36 DZ00 08	16	68
35 1610 60	8	100	36 JE00 24	15	34
36 0010 52	6	116	36 JG00 87	10	116
36 0010 55	8	116	36 JH00 12	6	36
36 0010 56	23	118	36 JH00 40	3	36
36 0010 58	2	116	36 JH00 44	15	36
36 0010 60	18	118	36 JL01 81	6	116
36 0010 61	1	116	36 JV00 06	5	8
36 0010 62	9	116	36 JZ00 23	14	34
36 3140 04	10	116	36 PF00 45	5	12
36 3140 05	8	52	36 PF00 61	14	10
36 DH40 29	11	116	36 PF00 62	6	12
36 DH40 52	4	116	36 PF01 18	6	12
36 DH40 61	3	116	36 PF01 43	5	38
36 DH40 71	12	116	36 PF01 44	3	38
36 DH40 72	13	118	36 PF01 45	4	38
36 DK00 45	5	116	36 PF01 46	2	38
36 DU10 07	13	28	36 PF01 47	10	38
36 DU40 04	5	98	36 PF01 48	6	38
36 DU40 76	6	8	36 PF01 49	8	38
36 DU40 77	2	22	36 DU40 57	10	114
36 DU40 79	1	30	36 DU40 58	10	114
36 DU40 81	5	36	36 DU40 59	10	114

Parts Index



Part Number	Figure No.	Page No.	Part Number	Figure No.	Page No.
36 DU40 60	10	114	39 0775 04	3	68
36 DU40 65	12	114	39 0798 15	8	94
36 DU40 66	12	114	39 0813 02	16	100
36 DU40 67	12	114	39 0987 17	4	16
36 DU40 68	12	114	39 0992 06	7	18
36 DU41 19	9	114	39 0993 11	6	28
36 DU41 20	9	114	39 0999 06	5	26
36 DU41 21	9	114	39 0999 06	19	30
36 DU41 22	9	114	39 0999 06	7	32
36 DU41 23	11	114	39 1000 06	4	12
36 DU41 24	11	114	39 1000 06	10	24
36 DU41 25	11	114	39 1001 20	9	34
36 DU41 26	11	114	39 1013 21	20	66
37 0043 52	16	118	39 1013 21	20	68
37 0043 53	17	118	39 1041 19	5	30
37 2240 18	19	118	39 1074 04	19	70
37 2540 39	24	118	39 1074 04	19	74
39 0199 11	9	78	39 1074 04	27	84
39 0201 11	10	54	39 1184 15	11	82
39 0211 11	6	104	39 1290 04	6	48
39 0248 11	7	54	39 1309 11	2	54
39 0454 11	19	54	39 1493 15	21	54
39 0594 17	2	10	39 1553 04	10	82
39 0712 15	13	54	39 1660 05	2	4
39 0714 11	8	54	39 1671 21	14	30
39 0714 11	22	72	39 1715 19	4	24
39 0714 11	22	76	39 1789 24	7	92
39 0738 17	3	28	39 1814 04	8	110
39 0740 11	2	90	39 1864 20	2	14
39 0775 04	3	66	39 1943 04	10	46

Parts Index



Part Number	Figure No.	Page No.	Part Number	Figure No.	Page No.
39 2122 15	4	54	52 DU06 32	6	112
39 2141 24	11	100	52 DU06 33	6	112
39 2190 19	5	24	52 DU08 26	1	112
39 2221 04	4	56	52 DU08 27	1	112
39 2295 15	6	44	52 DU08 28	1	112
39 2349 11	22	54	52 DU08 29	1	112
39 2366 15	14	54	59 0400 38	6	2
39 2408 17	2	28	59 1100 08	8	14
39 2492 11	4	44	59 1200 03	9	14
39 2562 20	2	24	59 1500 03	15	66
39 2600 11	8	34	59 1500 03	15	68
39 2669 21	8	10	59 1500 03	23	72
39 2671 04	1	12	59 1500 03	23	76
39 2702 04	9	50	59 1500 14	10	14
52 DU05 55	16	54	59 2100 23	9	24
52 PF13 23	1	32	59 2100 24	17	16
52 DU05 75	3	112	60 1114 20	2	106
52 DU05 76	3	112	62 3050 84	22	118
52 DU05 77	3	112	75 6802 36	20	118
52 DU05 78	3	112	76 0109 36	14	118
52 DU06 22	4	112	76 0109 37	15	118
52 DU06 23	4	112	83 0201 73	7	116
52 DU06 24	4	112	83 0203 34	1	116
52 DU06 25	4	112	83 0204 11	1	116
52 DU06 26	5	112	83 0204 73	5	116
52 DU06 27	5	112	AL 2414 81	12	80
52 DU06 28	5	112	BF 5612 19	4	20
52 DU06 29	5	112	CB 1010 09	1	8
52 DU06 30	6	112	CB 1010 22	2	8
52 DU06 31	6	112	CF 1110 19	4	46

Parts Index



Part Number	Figure No.	Page No.	Part Number	Figure No.	Page No.
CL 2010 23	10	100	DE 1810 31	15	86
CM 2010 54	2	94	DF 1411 28	3	92
CS 1011 28	10	10	DF 1510 16	13	78
CZ 1814 07	4	58	DF 1611 02	8	60
DD 1010 62	9	10	DF 1614 13	2	56
DD 1013 66	8	44	DF 1614 15	2	98
DD 1110 11	9	46	DF 1614 16	3	98
DD 1110 12	8	46	DF 1810 85	24	88
DD 1110 18	4	46	DF 1810 89	21	88
DD 1110 48	6	46	DF 1810 90	6	52
DD 1211 81	12	30	DF 1810 91	23	84
DD 1412 27	3	90	DF 1810 92	24	84
DD 1510 09	5	66	DF 1810 98	7	100
DD 1510 09	5	68	DG 1210 03	10	6
DD 1610 13	9	58	DG 1210 40	7	2
DD 1610 22	6	92	DG 1210 40	3	40
DD 1610 51	6	58	DG 1410 19	1	92
DD 1610 78	7	56	DG 1510 22	9	64
DD 1810 32	14	86	DG 1611 21	8	92
DD 1811 83	4	100	DG 1611 24	2	60
DD 1811 84	13	100	DG 1612 24	6	56
DD 1811 86	15	100	DH 1010 48	5	10
DD 1811 87	8	104	DH 1013 92	13	10
DD 1811 92	4	102	DH 1015 09	8	20
DD 1812 05	20	82	DH 1016 07	11	44
DD 1812 07	2	86	DH 1017 84	6	24
DD 1911 42	8	82	DH 1210 63	9	38
DD 2010 02	10	58	DH 1410 70	11	42
DD 2010 11	4	104	DH 1410 75	13	42
DD 2011 70	12	82	DH 1610 66	7	60

Parts Index



Part Number	Figure No.	Page No.	Part Number	Figure No.	Page No.
DH 1612 83	4	98	DP 2010 37	9	92
DH 1810 14	5	52	DP 2110 09	2	48
DJ 1811 15	4	52	DS 1011 17	5	28
DJ 2210 03	1	110	DS 1011 54	6	14
DJ 2210 04	2	110	DS 1012 15	9	30
DK 1013 86	6	10	DS 1013 55	19	16
DL 1810 10	12	100	DS 1099 05	12	10
DM 1210 04	8	40	DS 1510 03	4	64
DM 1210 10	14	40	DS 1510 09	10	64
DM 1210 14	12	40	DS 1510 10	11	64
DM 1210 26	5	40	DS 1510 49	2	62
DM 1510 25	1	62	DS 1510 49	6	64
DM 1510 25	5	64	DS 1510 53	4	62
DM 1510 28	3	62	DS 1510 53	12	64
DM 1510 28	7	64	DS 1611 50	5	32
DM 1610 09	5	58	DS 1910 18	2	82
DM 1611 72	1	60	DS 1910 52	3	82
DM 1611 92	5	50	DS 2010 25	14	106
DM 1611 93	6	50	DS 2210 01	4	110
DM 1710 22	23	54	DU 0101 42	25	88
DM 1810 08	9	86	DU 0101 42	13	114
DM 1810 36	5	86	DU 1010 50	10	28
DM 1910 09	1	94	DU 1010 60	3	8
DM 1910 25	2	96	DU 1012 13	18	16
DM 2210 01	4	40	DU 1210 30	9	40
DP 1210 18	7	6	DU 1210 52	2A	40
DP 1611 44	10	104	DU 1210 52	6	40
DP 1611 45	11	104	DU 1410 14	10	90
DP 1611 63	10	56	DU 1410 95	1	90
DP 1611 70	8	56	DU 1412 58	9	90

Parts Index



Part Number	Figure No.	Page No.	Part Number	Figure No.	Page No.
DU 1412 71	7	42	DU 1610 98	12	58
DU 1412 72	6	42	DU 1611 02	5	92
DU 1412 77	1	42	DU 1611 19	4	92
DU 1412 78	12	42	DU 1611 96	2	52
DU 1413 01	6	90	DU 1612 67	1	56
DU 1510 06	26	72	DU 1613 23	1	52
DU 1510 06	26	76	DU 1613 26	16	80
DU 1510 09	28	76	DU 1613 29	9	52
DU 1510 10	7	70	DU 1613 73	3	58
DU 1510 10	7	74	DU 1810 45	2	100
DU 1510 18	8	64	DU 1810 47	5	100
DU 1510 25	2	64	DU 1810 70	1	100
DU 1510 26	3	64	DU 1811 08	12	86
DU 1510 29	11	70	DU 1811 11	23	88
DU 1510 29	11	74	DU 1811 14	1	82
DU 1510 34	6	62	DU 1811 25	1	86
DU 1510 42	5	56	DU 1811 34	3	86
DU 1510 44	2	66	DU 1811 35	19	86
DU 1510 44	2	68	DU 1910 23	4	94
DU 1510 46	18	70	DU 1910 24	7	94
DU 1510 46	18	74	DU 1910 25	5	94
DU 1510 47	1	78	DU 1910 29	3	94
DU 1510 47	13	80	DU 1910 56	4	82
DU 1510 55	7	80	DU 1910 58	3	96
DU 1510 56	8	80	DU 2010 08	6	102
DU 1510 58	4	80	DU 2010 10	7	102
DU 1510 61	18	80	DU 2010 12	2	102
DU 1610 08	8	58	DU 2010 14	1	102
DU 1610 24	3	52	DU 2010 23	1	104
DU 1610 98	1	58	DU 2010 24	2	104

Parts Index



Part Number	Figure No.	Page No.	Part Number	Figure No.	Page No.
DU 2010 92	7	40	DY 5614 00	9	20
DU 2011 08	9	100	DY 5810 09	11	40
DU 2011 10	20	100	DY 5824 01	4	6
DU 2011 11	3	100	DY 5824 02	6	6
DU 2011 21	1	106	DY 5824 03	8	6
DU 2011 38	11	46	DZ 1510 14	1	66
DU 2110 01	1	48	DZ 1510 14	1	68
DU 2210 01	3	110	DZ 1510 32	24	66
DU 2210 15	6	110	DZ 1510 32	24	68
DU 2210 17	3A	110	DZ 1612 65	7	104
DU 2210 21	3	56	DZ 1710 16	9	54
DU 1612 39	7	112	DZ 2010 38	9	106
DU 1612 40	8	114	DZ 2210 11	5	110
DU 1612 41	7	112	FD 1010 78	3	26
DU 1612 42	8	114	FD 1810 12	22	88
DU 1612 43	7	114	FD 1810 19	22	84
DU 1612 44	8	114	FD 1810 20	25	84
DU 1612 45	7	114	FD 1810 30	26	84
DU 1612 46	8	114	FD 1810 31	21	84
DU 7307 22	2	112	FD 2110 06	3	48
DU 7307 3E	2	112	FD 2110 07	4	48
DU 7307 X4	2	112	GL 1710 36	14	42
DX 1510 81	1	70	JA 1312 05	9	70
DX 1510 81	1	74	JA 1316 03	25	68
DY 1132 00	6	60	JA 1316 06	18	66
DY 1134 00	1	50	JA 1316 06	18	68
DY 1610 03	3	78	JA 1610 03	2	78
DY 3512 01	7	46	JA 5112 16	3	10
DY 4014 00	8	106	JA 5310 07	12	34
DY 4018 00	12	106	JA 5310 12	3	14

Parts Index



Part Number	Figure No.	Page No.	Part Number	Figure No.	Page No.
JA 5310 15	4	14	JB 5812 56	9	36
JA 5410 10	8	22	JB 5812 58	13	36
JA 5410 12	9	22	JB 5812 60	11	36
JA 5410 14	5	22	JB 5812 72	4	4
JA 5410 16	4	26	JB 5910 68	2	44
JA 5412 11	6	30	JC 1910 06	11	78
JA 5412 12	16	30	JD 1138 14	11	6
JA 5412 25	7	30	JD 1138 15	12	6
JA 5510 02	3	16	JD 1610 02	4	78
JA 5510 04	7	16	JD 1610 06	5	78
JA 5510 08	15	16	JD 4022 17	3	106
JA 5510 09	16	16	JD 5610 04	3	18
JA 5514 06	13	34	JD 5610 11	6	18
JA 5514 20	10	34	JE 5110 67	1	6
JA 5610 02	5	18	JE 5210 16	7	10
JA 6210 02	4	28	JE 5410 28	11	22
JA 6210 06	9	28	JE 5412 13	4	30
JA 6212 06	12	28	JE 5412 14	3	30
JB 1312 23	15	70	JE 5514 09	11	34
JB 1312 23	15	74	JE 5910 02	7	44
JB 4014 00	5	82	JE 6210 03	8	28
JB 5110 15	3	2	JE 6210 04	7	28
JB 5110 19	3	4	JG 1312 20	4	22
JB 5310 21	7	14	JG 1710 29	17	42
JB 5514 08	2	34	JG 5710 24	13	24
JB 5514 12	6	34	JH 1610 35	12	78
JB 5710 05	1	26	JH 1610 38	14	80
JB 5710 06	2	26	JH 1710 48	3	42
JB 5812 29	7	36	JH 5112 12	4	8
JB 5812 30	8	36	JH 5210 07	2	12

Parts Index



Part Number	Figure No.	Page No.	Part Number	Figure No.	Page No.
JH 5612 00	6	20	JY 1710 77	9	42
JH 5614 04	10	20	JY 1718 25	15	42
JH 5812 02	15	40	JZ 1310 42	5	62
JH 5812 18	16	36	JZ 1610 28	9	82
JH 5822 00	9	6	JZ 1710 55	10	42
JK 1130 08	9	56	JZ 1711 24	2	92
JK 1210 08	16	86	JZ 4022 18	4	106
JK 1220 02	1	54	JZ 5512 05	13	16
JK 1220 04	5	54	JZ 5610 02	4	18
JL 1711 01	2	42	KA AD05 25	7	34
JL 1711 02	5	42	KA AD10 35	4	86
JL 5412 27	8	30	KA CF08 30	11	86
JL 5810 66	5	6	KA DA05 10	5	44
JN 1810 31	6	100	KA DA06 12	9	104
JP 5412 08	3	32	KA DA06 14	7	58
JV 5110 11	1	2	KA DA06 30	13	6
JV 5110 12	5	2	KA DD06 12	19	100
JV 5110 13	4	2	KA DD06 14	18	100
JV 5410 06	15	24	KA DD06 25	10	92
JV 5410 07	2	2	KA DD06 30	6	32
JV 5410 07	11	24	KA DD08 14	6	106
JV 5410 07	18	30	KA DD08 18	2	58
JV 5412 08	2	30	KA DD08 55	7	50
JV 5412 25	20	30	KA DD08 65	8	50
JW 1710 16	17	100	KA DD08 80	3	50
JW 5612 06	2	20	KA DD08 85	2	50
JW 5612 08	3	20	KA DF06 14	13	106
JW 5910 28	3	44	KA ED06 20	11	10
JY 1710 69	4	42	KA ED06 25	5	4
JY 1710 70	16	42	KA ED06 25	12	46

Parts Index



Part Number	Figure No.	Page No.	Part Number	Figure No.	Page No.
KA ED06 35	8	32	KD DB12 21	11	54
KA ED06 55	12	24	KH AA20 18	8	78
KA EG06 14	3	6	KH AA25 20	12	56
KB BA04 08	22	66	KH AA32 25	4	60
KB BA04 08	22	68	KH AA32 28	10	40
KB BA04 12	2	46	KH BA08 28	16	78
KB BA04 16	17	46	KP BB62 01	4	70
KB BA04 25	16	46	KP BB62 01	4	74
KB BA06 16	14	100	KP BB63 01	11	66
KB RB35 13	20	54	KP BB63 01	11	68
KC AA10 08	6	54	KP BB63 01	3	70
KC BA10 06	12	70	KP BB63 01	3	74
KC BA10 06	12	74	KP BC60 04	8	70
KC BA10 06	17	78	KP BC60 04	8	74
KC BA18 11	21	72	KP BF62 01	6	22
KC BA18 11	21	76	KP BF62 03	7	22
KC GA05 05	11	58	KP BF62 03	3	24
KC GA06 06	14	6	LA A000 34	10	70
KC GA06 06	12	104	LA A000 34	10	74
KC GA10 10	5	102	LA A000 49	15	80
KC GD08 08	4	50	LA D001 43	7	110
KD AA12 22	14	66	LA D001 48	13	56
KD AA12 22	14	68	LA E000 05	15	30
KD AB06 11	5	80	LA E000 15	10	22
KD DA04 08	14	46	LA E000 48	10	52
KD DB04 08	21	66	LB B000 06	8	90
KD DB04 08	21	68	LB B000 17	15	46
KD DB10 18	12	54	LB U000 07	13	40
KD DB10 18	15	78	LB U000 12	18	82
KD DB10 18	20	86	LC A000 11	3	54

Parts Index



Part Number	Figure No.	Page No.	Part Number	Figure No.	Page No.
LC H000 01	9	60	PA 6210 05	14	28
LC H000 01	28	84	PD 1716 16	8	42
LC L000 01	10	50	PF 1138 01	3	80
LC L000 01	8	102	PF 1316 16	6	66
LC L000 02	4	66	PF 1316 16	6	68
LC L000 02	4	68	PF 1610 05	19	82
LC L000 02	20	70	PF 1610 07	14	82
LC L000 02	20	74	PF 1610 10	16	82
LD A000 43	7	90	PF 1610 11	6	82
LD B000 14	5	48	PF 1610 12	7	82
LD B000 19	6	78	PF 1610 13	13	82
LD B000 44	5	20	PF 1610 15	17	82
LD B000 75	17	80	PF 1610 16	15	82
LE A000 03	6	80	PF 1610 29	1	80
LJ A000 04	14	24	PF 1610 30	2	80
LJ A000 11	6	4	PF 1610 31	9	80
NA	20	118	PF 1610 32	10	80
NA	21	118	PF 1610 33	11	80
PA 1210 41	6	86	PF 1612 34	1	96
PA 1310 03	23	66	PF 1718 03	4	90
PA 1310 03	23	68	PF 3510 59	3	46
PA 1612 17	4	96	PF 3512 40	5	46
PA 2310 02	1	108	PF 5010 80	1	22
PA 5212 14	3	12	PF 5111 33	1	4
PA 5510 02	1	16	PF 5112 03	4	10
PA 5512 05	14	16	PF 5112 09	1	10
PA 5512 06	12	16	PF 5310 31	1	14
PA 5512 07	2	16	PF 5410 18	3	22
PA 5812 21	10	36	PF 5410 43	8	24
PA 5812 24	7	4	PF 5410 83	1	24

