

**pulsar** *NS125*  
Carburettor

**BAJAJ**  
*Distinctly Ahead*

**pulsar** *NS125*  
Carburettor

Bajaj Auto Limited  
Akurdi Pune 411 035 India  
[www.bajajauto.com](http://www.bajajauto.com)

# SPARE PARTS CATALOGUE



## Notice

---



All information contained in this manual is based on the latest product information at the time of publication. Bajaj Auto Limited accepts no liability for any inaccuracies or omissions in this publication, although every possible care has been taken to make it as complete and accurate as possible. All procedures and specifications subject to change without prior notice. The right is reserved to make such changes at any time without prior notice and without incurring an obligation to make such changes to product manufactured previously. Contact your authorized Bajaj Dealer for the latest information on product improvements incorporated after this manual was issued.

REV. NOV. 2019

---

# Foreword



We have pleasure in presenting the Spare Parts Catalogue for 'Pulsar NS 125 Carburettor' Motorcycle. This catalogue has been specially designed to assist you in selecting the correct parts for procurement to maintain 100% availability.

The Bajaj spares are subjected to the stringent quality control standards to ensure longer life of the vehicle. It is therefore necessary that only the Genuine Bajaj Spares are used.

In a continual effort to improve Performance and Efficiency of the vehicles, Specifications, Diagrams, Illustrations and Part Numbers can change without notice. Consequently, the description in this Spare Parts Catalogue cannot therefore be final and binding on us.

The modifications / alterations which are carried out after the issue of this catalogue, will be conveyed to you through our Service Circulars. You are requested to make necessary corrections in the Parts Catalogue as per the circulars so as to keep your catalogue up-to-date. This will ensure the appropriate and speedy delivery of the Spare Parts as the order placed will bear the latest part numbers.

In case, if you need any technical assistance contact the concerned Regional Office or write to us on the following address :

Bajaj Auto Limited  
Spares - International Business  
Akurdi, Pune 411 035 India

# Instructions



1. How to Read the Catalogue : Open the catalogue and from the pictorial index locate the group in which the part you want to find is present. Turn over to the concerned page number (as given by pictorial index). Now find out the figure of the part you wish to order. Write down the part number against that particular figure number from the text.

In case, if you have the part number and you need the other details, the part index can be used. The part index (at the end of the catalogue) will give you the figure and page number of the part you wish to order.

2. How to Order Spare Parts : The part number and the description of the part required should be invariably mentioned in the order as per the catalogue text.

The latest part number as conveyed through our service circulars should only appear on the order. In case of ordering painted components, colour shade of the components should be mentioned.

The quantity shown against the part number is the quantity per vehicle for that group so that particular quantity should be multiplied by the number of sets required.

3. Part Number System : We have used 8 digit system for part numbers. The model or hardware item is indicated by first two digits or alphanumeric, the next two or four digits indicate main group and the last four or two digits indicate serial number in main group or serial number or subgroup of fastener respectively. Thus the part numbers will be indicated by 2-2-4 or 2-4-2 digit system. Understanding this system will enable you to identify the spare parts easily.

4. Abbreviations : The following abbreviations are used in this catalogue.

Assly	Assembly	V	Volts
N.I.	Not illustrated	W	Watts
C'case	Crankcase	Accl.	Accelerator
Cyl	Cylinder	Comp.	Complete
O/s	Over size	Fr.	Front
Rr.	Rear	Std.	Standard
L	Length	A/t.	Alternate
R.H.	Right hand	L.H.	Left hand
Hex.	Hexagonal	AR	As required

## Index



Plate No.	Description	Page No.
1	Cover Cylinder Head	2
2	Sai Unit	4
3	Cylinder Head	6
4	Valve	8
5	Camshaft / Tensioner	10
6	Cylinder and Piston	12
7	Crankshaft	14
8	Transmission	16
9	Change Drum / Shift Fork	18
10	Gear Change Mechanism	20
11	Engine Assly / Crankcase RH	22
12	Crankcase LH	24
13	Cover Clutch	26
14	Cover Magneto	28
15	Clutch Assembly	30
16	Oil Pump	32
17	Kick Starter Mechanism	34
18	Carburettor	36
19	Air Cleaner Complete	38
20	Silencer Assly	40
21	Starter Assly	42
22	Magneto, C.D.I. & H.T. Coil	44
23	Seat Assly / Seat Lock	46
24	Engine Mountings	48
25	Frame and Frame Fitting	50
26	Swing Arm / Rear Shock Absorber	52
27	Pillion Foot Rest / Holder	54
28	Mudguard- Front & Rear	56
29	Stand Assembly	58
30	Tyre/ Tube / Rim	60
31	Front Hub	62

## Index



Plate No.	Description	Page No.
32	Front Master Cylinder	64
33	Front Disc Brake	66
34	Rear Hub	68
35	Rear Brake Pedal	70
36	Handle Bar Assly	72
37	Front Fork	74
38	Petrol Tank Spoiler	76
39	Cap Tank & Gauge Fuel	78
40	Fittings - Petrol Tank, Side Cover & Cover Seat	80
41	Meter Assly.	82
42	Control Cables	84
43	Chain Case	86
44	Head Lamp & Fairing	88
45	Indicator Light Assly.	90
46	Tail Lamp Assly. / Front No. Plate	92
47	Electrical Equipments	94
48	Tool Kit	96
49	Accessories / Grab Handle	98
50	Painted Parts	100,102
51	Decals Sets	104

# Pictorial Index

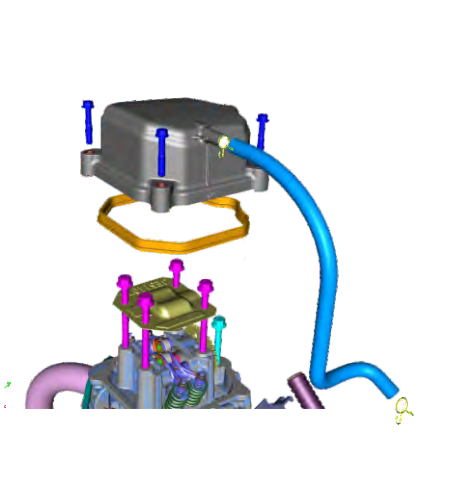
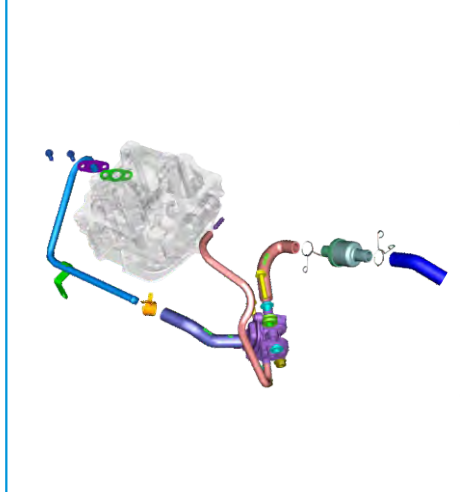
PLATE NO. : 1 COVER CYLINDER HEAD	PAGE NO. 1,2	PLATE NO. : 2 SAI UNIT	PAGE NO. 3,4
			

PLATE NO. : 3 CYLINDER HEAD	PAGE NO. 5,6	PLATE NO. : 4 VALVE	PAGE NO. 7,8
			

# Pictorial Index

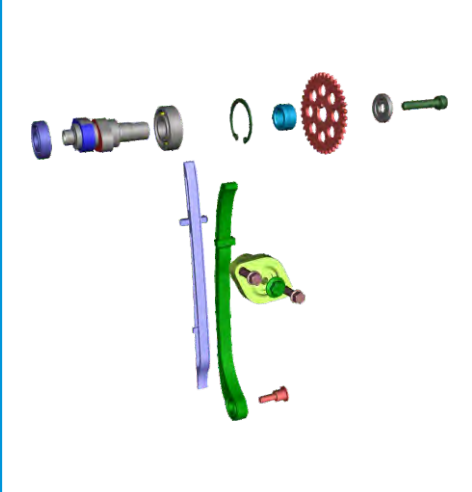
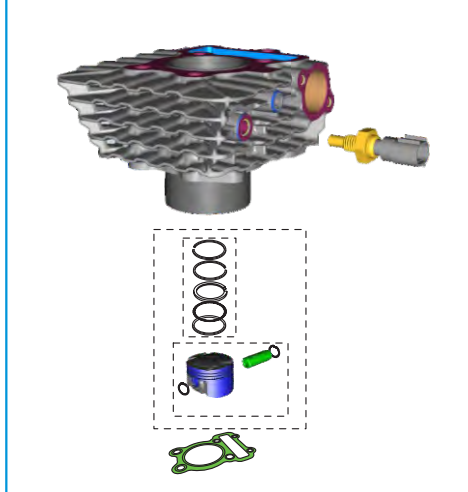
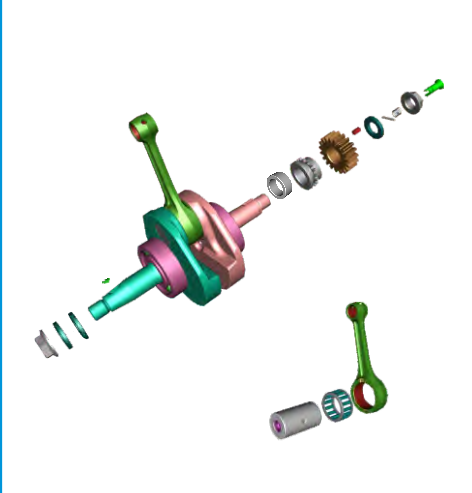
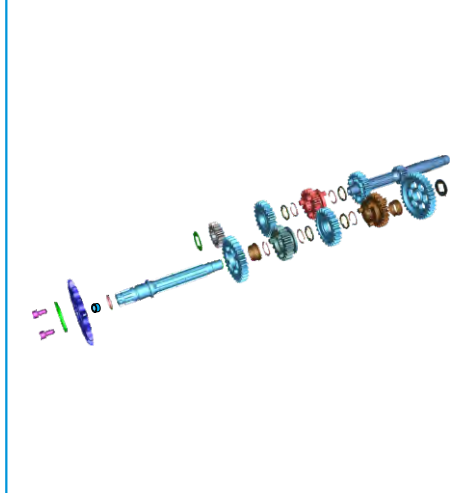
PLATE NO. : 5 CAMSHAFT / TENSIONER	PAGE NO. 9,10	PLATE NO. : 6 CYLINDER & PISTON	PAGE NO. 11,12
			

PLATE NO. : 7 CRANKSHAFT	PAGE NO. 13,14	PLATE NO. : 8 TRANSMISSION	PAGE NO. 15,16
			

# Pictorial Index

PLATE NO. : 9  
CHANGE DRUM / SHIFT FORK

PAGE NO.  
17,18

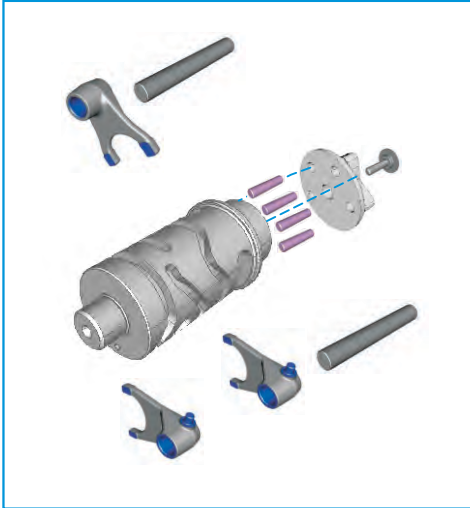


PLATE NO. : 10  
GRER CHANGE MECHANISM

PAGE NO.  
19,20

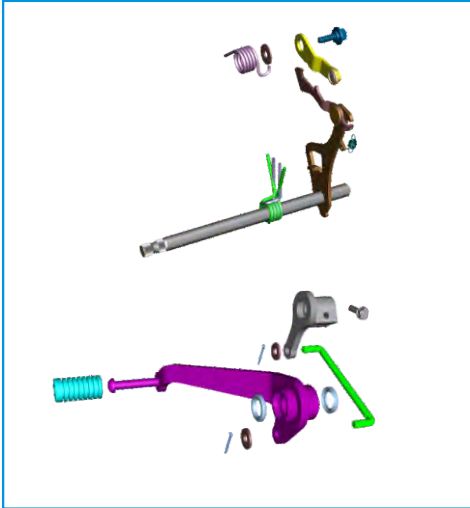


PLATE NO. : 11  
ENGINE ASSLY & CRANKCASE RH

PAGE NO.  
21,22

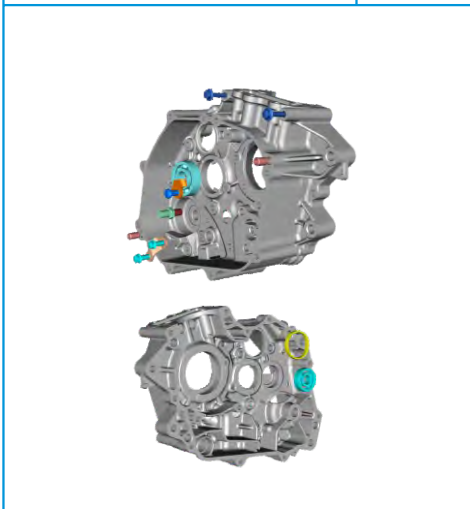
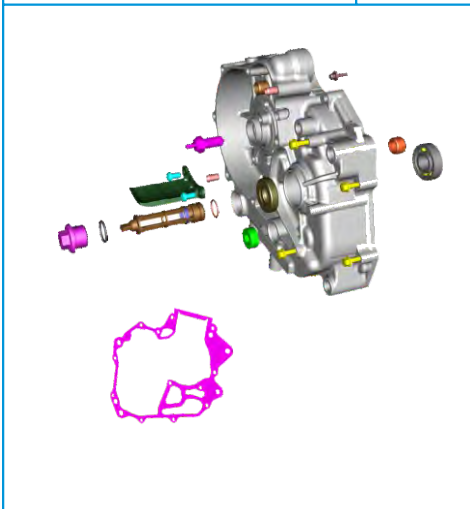


PLATE NO. : 12  
CRANKCASE LH (MAGNETO SIDE)

PAGE NO.  
23,24



# Pictorial Index

PLATE NO. : 13  
COVER CLUTCH

PAGE NO.  
25,26

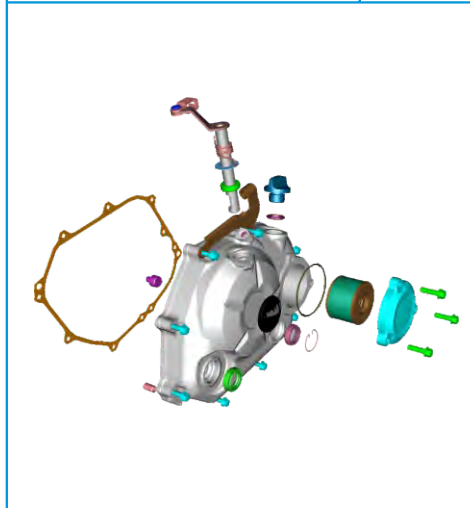


PLATE NO. : 14  
COVER MAGNETO

PAGE NO.  
27,28

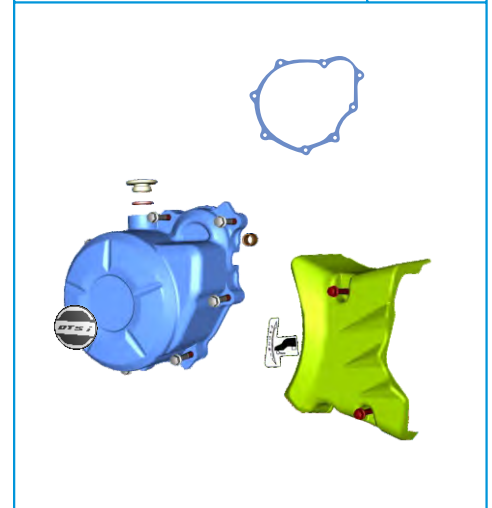


PLATE NO. : 15  
CLUTCH ASSEMBLY

PAGE NO.  
29,30

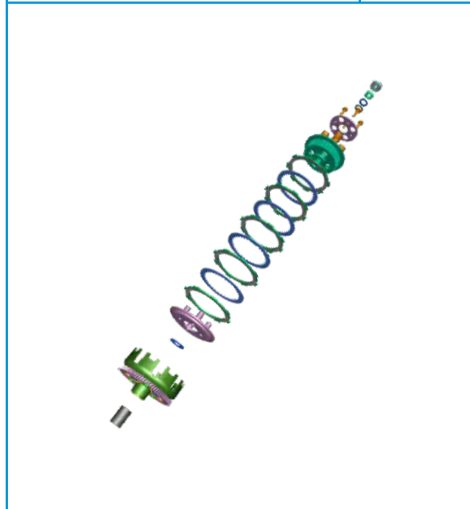
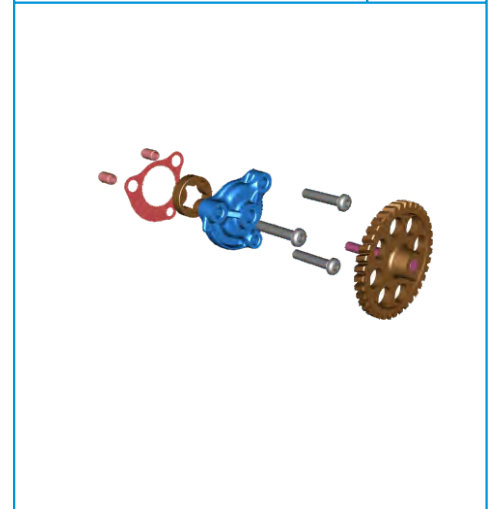


PLATE NO. : 16  
OIL PUMP

PAGE NO.  
31,32



# Pictorial Index

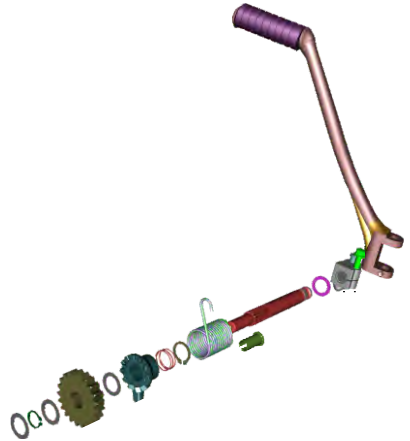
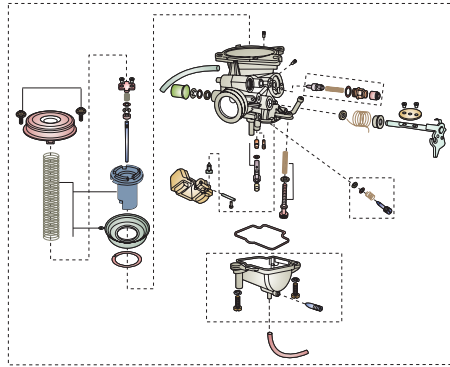
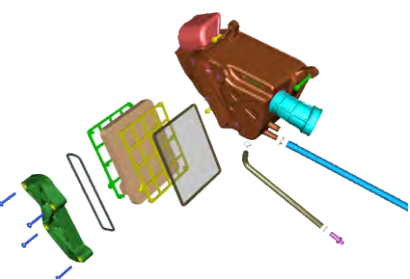
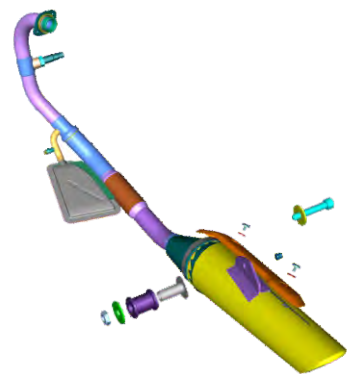
PLATE NO. : 17 KICK STARTER MECHANISM	PAGE NO. 33,34	PLATE NO. : 18 CARBURETTOR	PAGE NO. 35,36
			

PLATE NO. : 19 AIR CLEANER COMPLETE	PAGE NO. 37,38	PLATE NO. : 20 SILENCER ASSEMBLY	PAGE NO. 39,40
			

# Pictorial Index

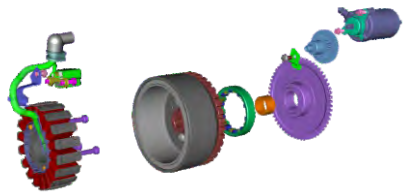
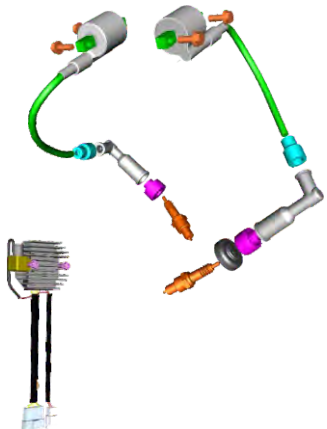
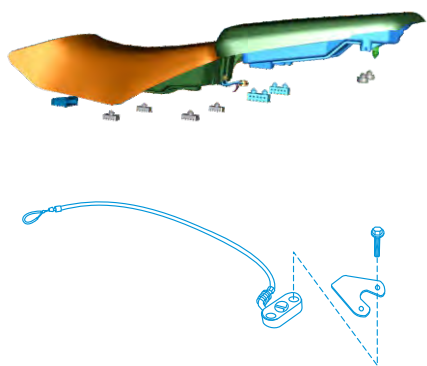
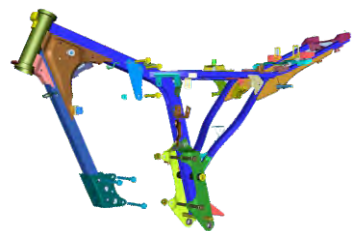
PLATE NO. : 21 STARTER ASSEMBLY	PAGE NO. 41,42	PLATE NO. : 22 MAGNETO / C.D.I. / H.T. COIL	PAGE NO. 43,44
			

PLATE NO. : 23 SEAT ASSEMBLY / SEAT LOCK	PAGE NO. 45,46	PLATE NO. : 24 ENGINE MOUNTINGS	PAGE NO. 47,48
			

# Pictorial Index

PLATE NO. : 25  
FRAME & FRAME FITTINGS

PAGE NO.  
49,50

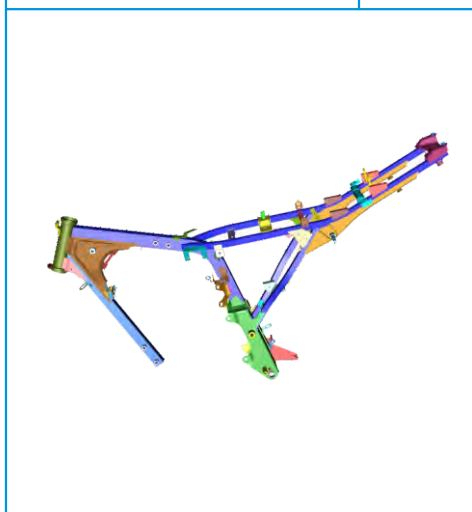


PLATE NO. : 26  
SWING ARM/RR.SHOCK ABSORBER

PAGE NO.  
51,52

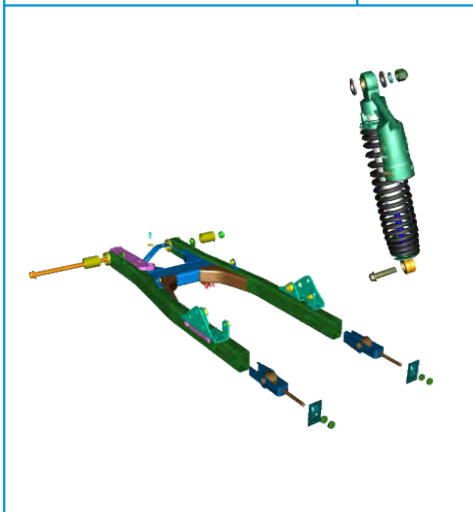


PLATE NO. : 27  
PILLION FOOT REST / HOLDER

PAGE NO.  
53,54

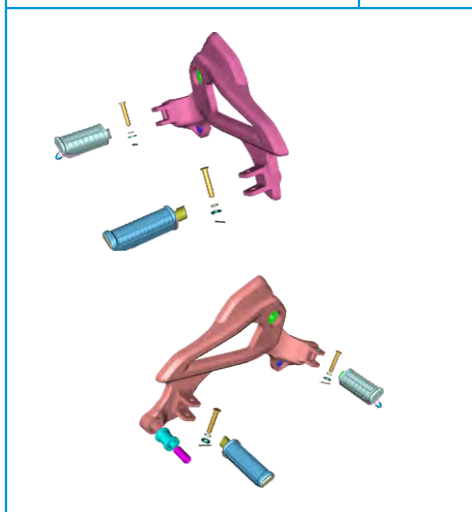
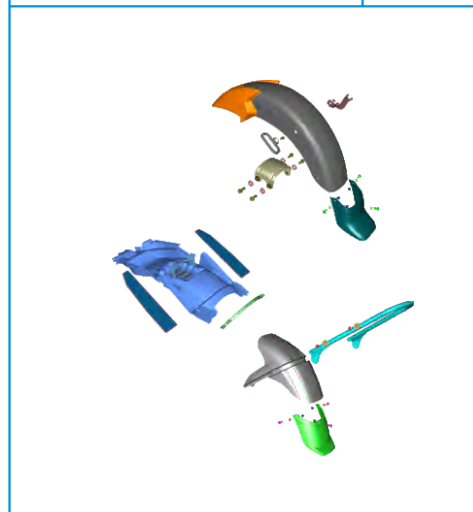


PLATE NO. : 28  
MUDGUARD FRONT & REAR

PAGE NO.  
55,56



# Pictorial Index

PLATE NO. : 29  
STAND ASSEMBLY

PAGE NO.  
57,58

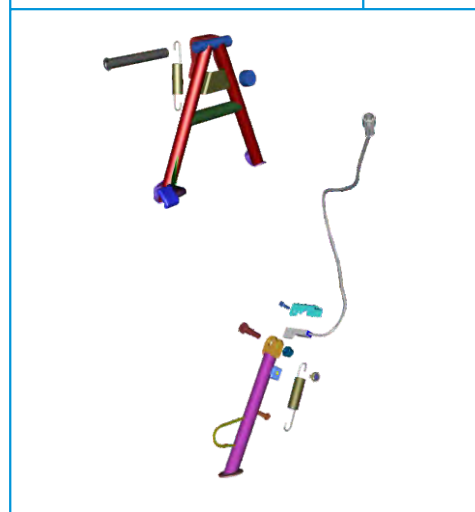


PLATE NO. : 30  
TUBE / TYRE / RIM

PAGE NO.  
59,60

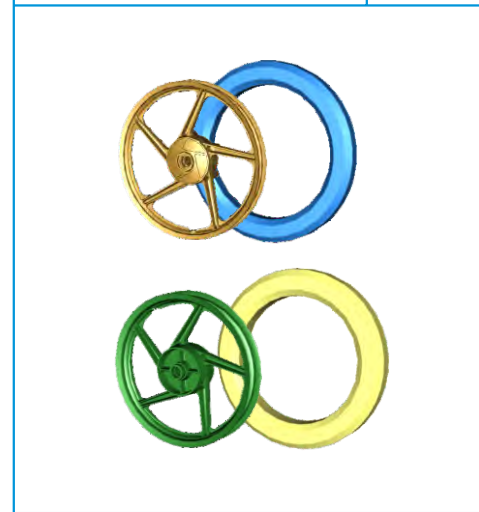


PLATE NO. : 31  
FRONT HUB

PAGE NO.  
61,62

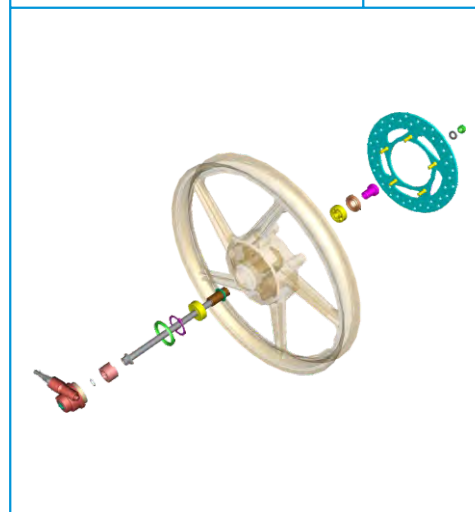
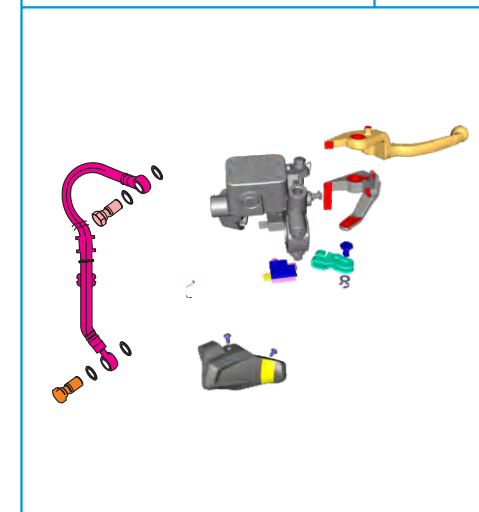


PLATE NO. : 32  
FRONT MASTER CYLINDER

PAGE NO.  
63,64



# Pictorial Index

PLATE NO. : 33  
FRONT DISC BRAKE

PAGE NO.  
65,66

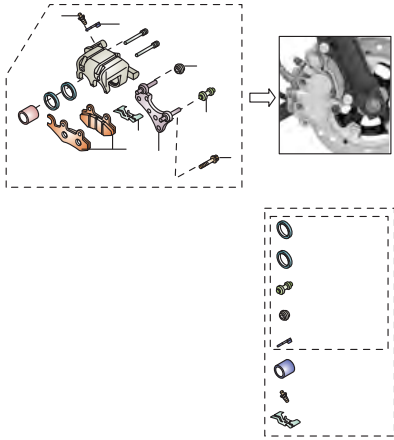


PLATE NO. : 34  
REAR HUB

PAGE NO.  
67,68

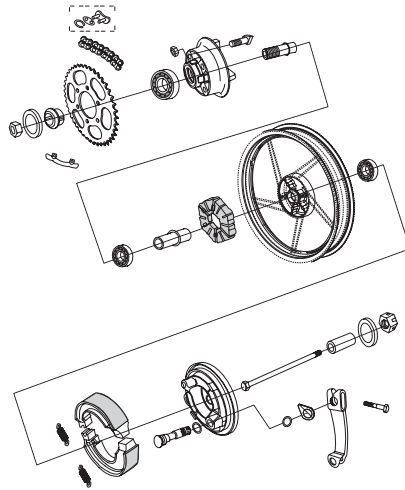


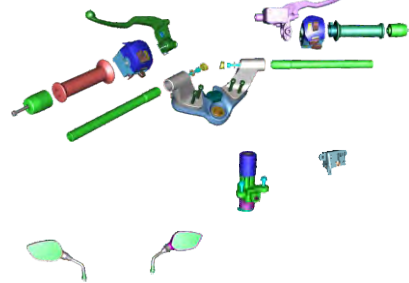
PLATE NO. : 35  
REAR BRAKE PEDAL

PAGE NO.  
69,70



PLATE NO. : 36  
HANDLE BAR ASSEMBLY

PAGE NO.  
71,72



# Pictorial Index

PLATE NO. : 37  
ASSEMBLY FRONT FORK

PAGE NO.  
73,74

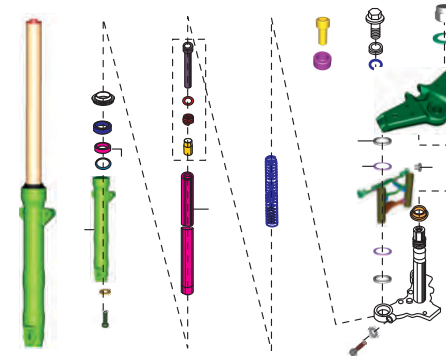


PLATE NO. : 38  
PETROL TANK SPOILER

PAGE NO.  
75,76

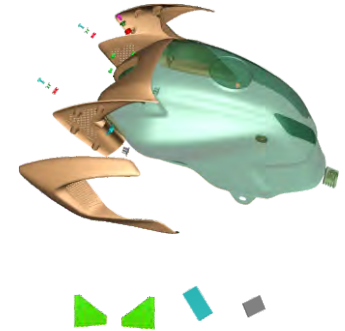


PLATE NO. : 39  
CAP TANK AND GAUGE FUEL

PAGE NO.  
77,78

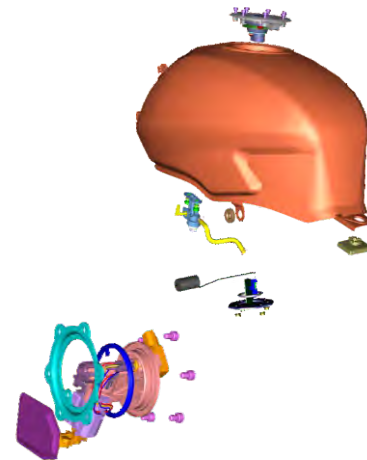


PLATE NO. : 40  
FITTINGS - PETROL TANK, SIDE  
COVERS & COVER SEAT

PAGE NO.  
79,80



# Pictorial Index

PLATE NO. : 41  
METER ASSEMBLY

PAGE NO.  
81,82

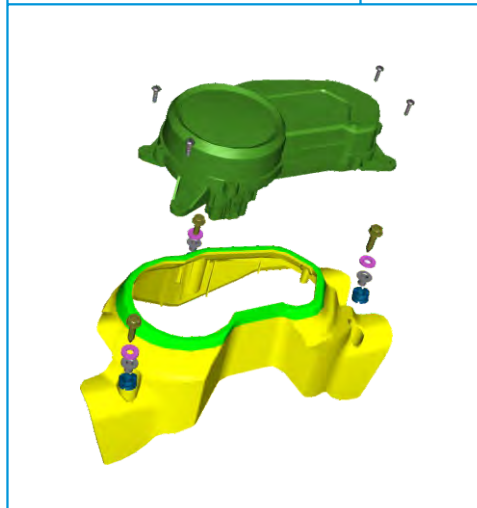


PLATE NO. : 42  
CONTROL CABLES

PAGE NO.  
83,84

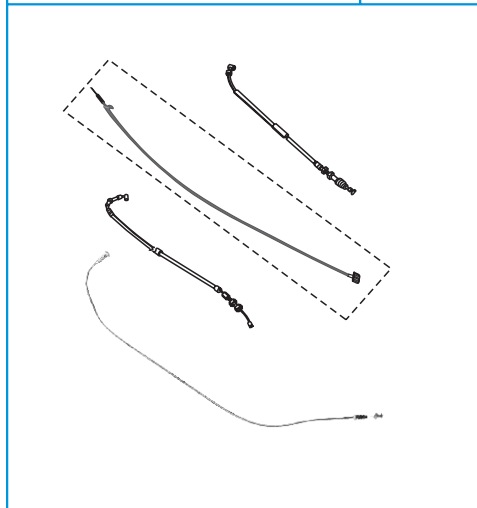


PLATE NO. : 43  
CHAIN CASE

PAGE NO.  
85,86

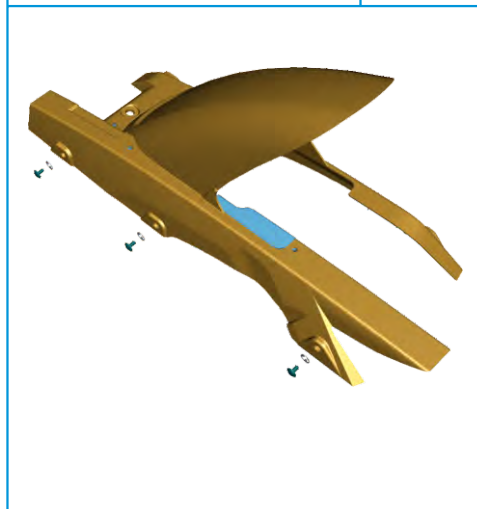
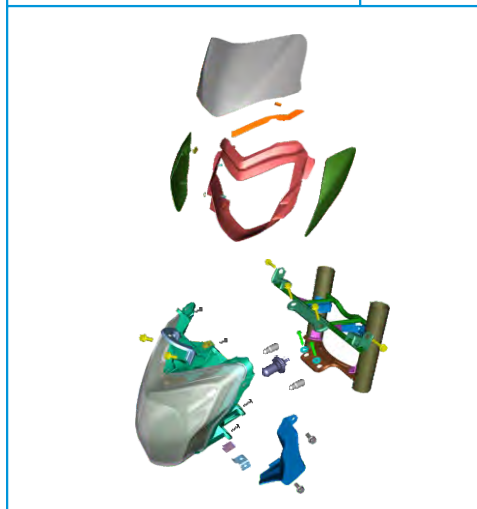


PLATE NO. : 44  
HEAD LAMP & FAIRING

PAGE NO.  
87,88



# Pictorial Index

PLATE NO. : 45  
INDICATOR LIGHT ASSEMBLY

PAGE NO.  
89,90

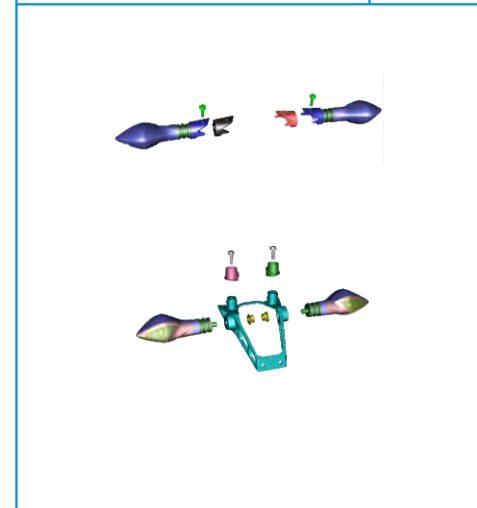


PLATE NO. : 46  
TAIL LAMP ASSEMBLY / FRONT  
NUMBER PLATE

PAGE NO.  
91,92

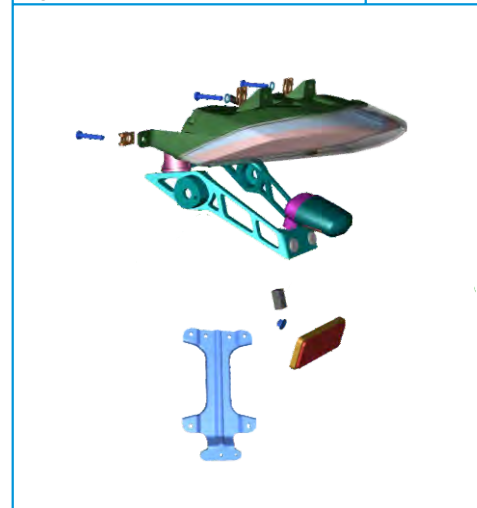


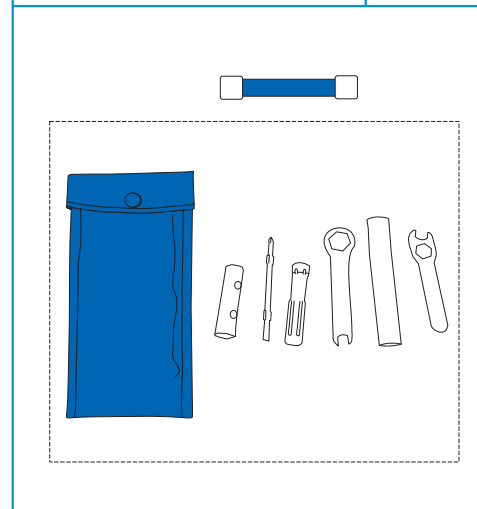
PLATE NO. : 47  
ELECTRICAL EQUIPMENTS

PAGE NO.  
93,94



PLATE NO. : 48  
TOOL KIT

PAGE NO.  
95,96



# Pictorial Index



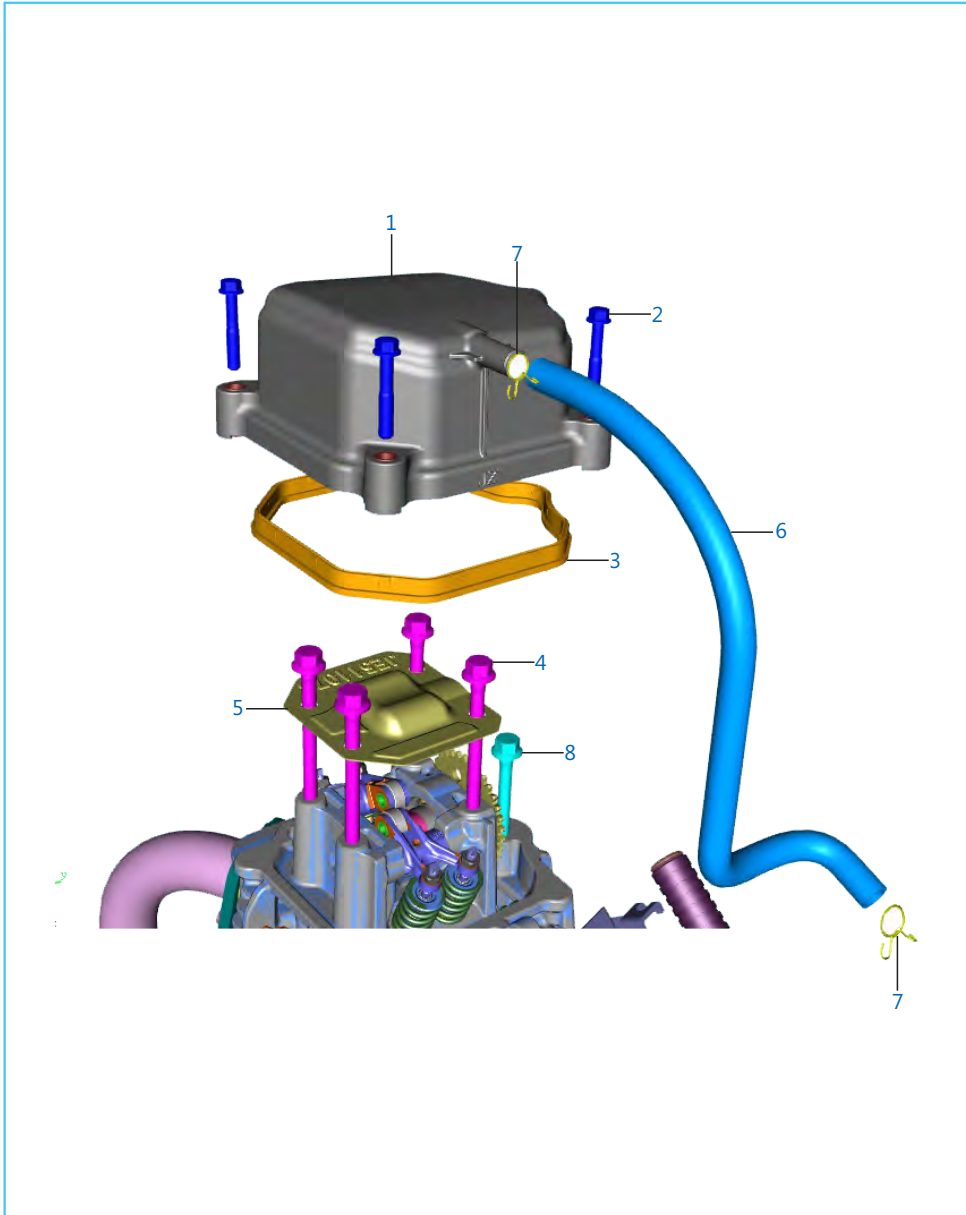
PLATE NO. : 49 ACCESSORIES / GRAB HANDLE	PAGE NO. 97,98
	

PLATE NO. : 50 PAINTED PARTS	PAGE NO. 99,102
	

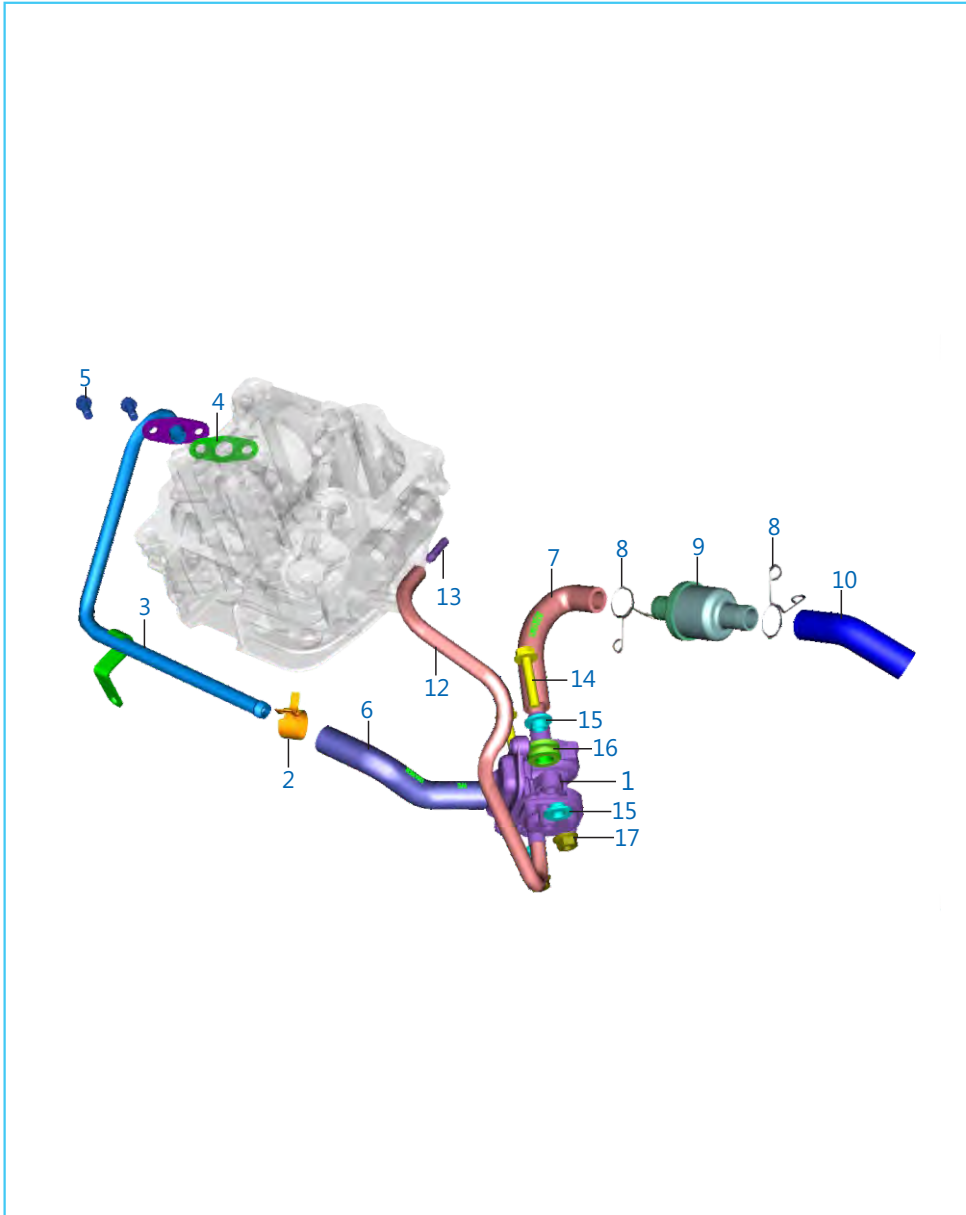
PLATE NO. : 51 DECALS	PAGE NO. 103 to 104
	

# Pictorial Index

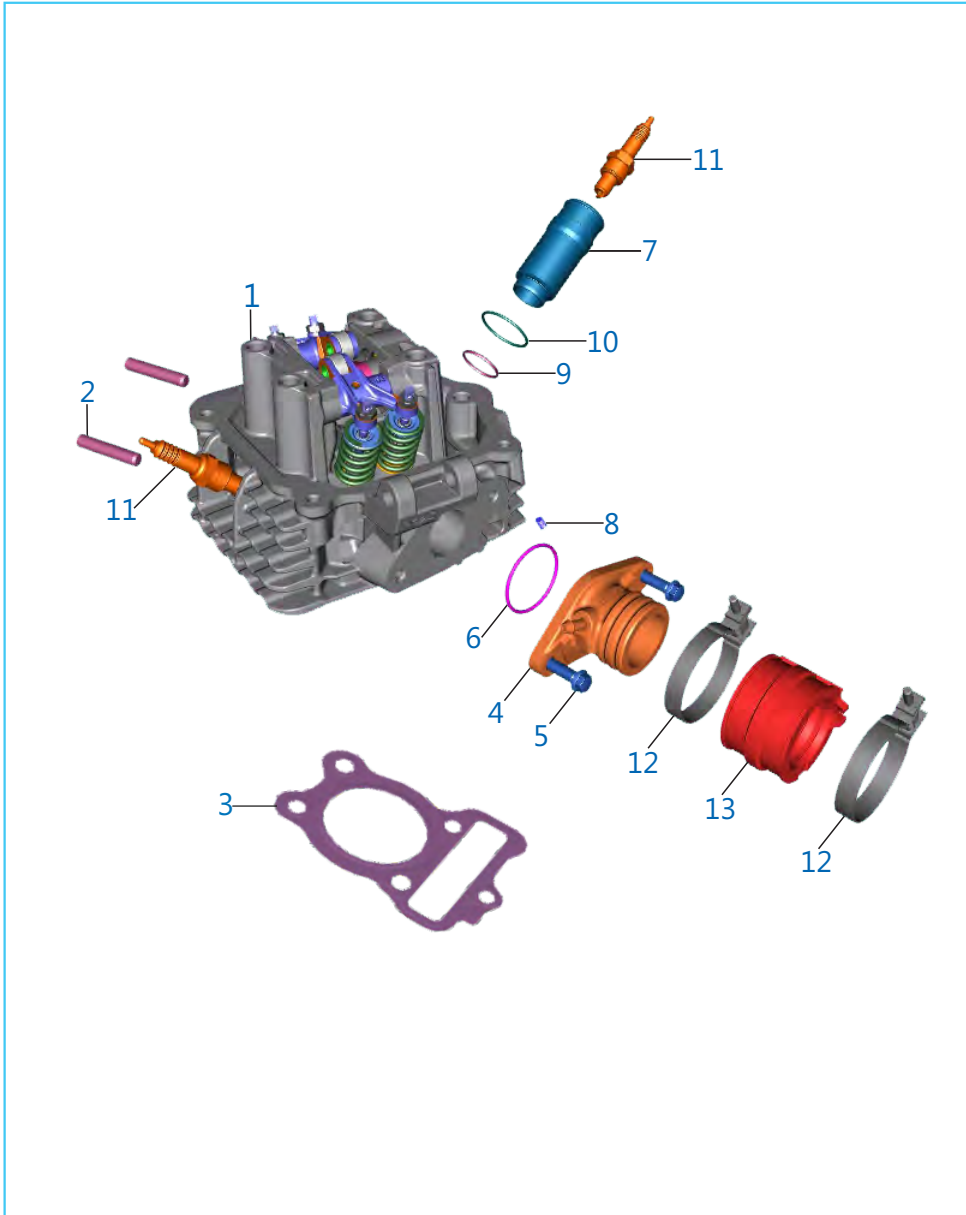
### Cover Cylinder Head

No.	Part No.	Description	Qty.	Remarks
1	JZ 5110 21	Assembly Cover Cyl Head Disco H	1	
2	59 0400 38	Bolt	4	
3	JD 5110 10	Gasket Head Cover	1	
4	JA 5110 08	Bolt Head Mounting (long)	4	
5	JE 5110 76	Plate Cylinder Head	1	
6	JA 5110 11	Hose Crankcase Breather	1	
7	DP 1210 25	Clamp	2	
8	59 0400 50	Bolt Head Mounting (Short)	1	



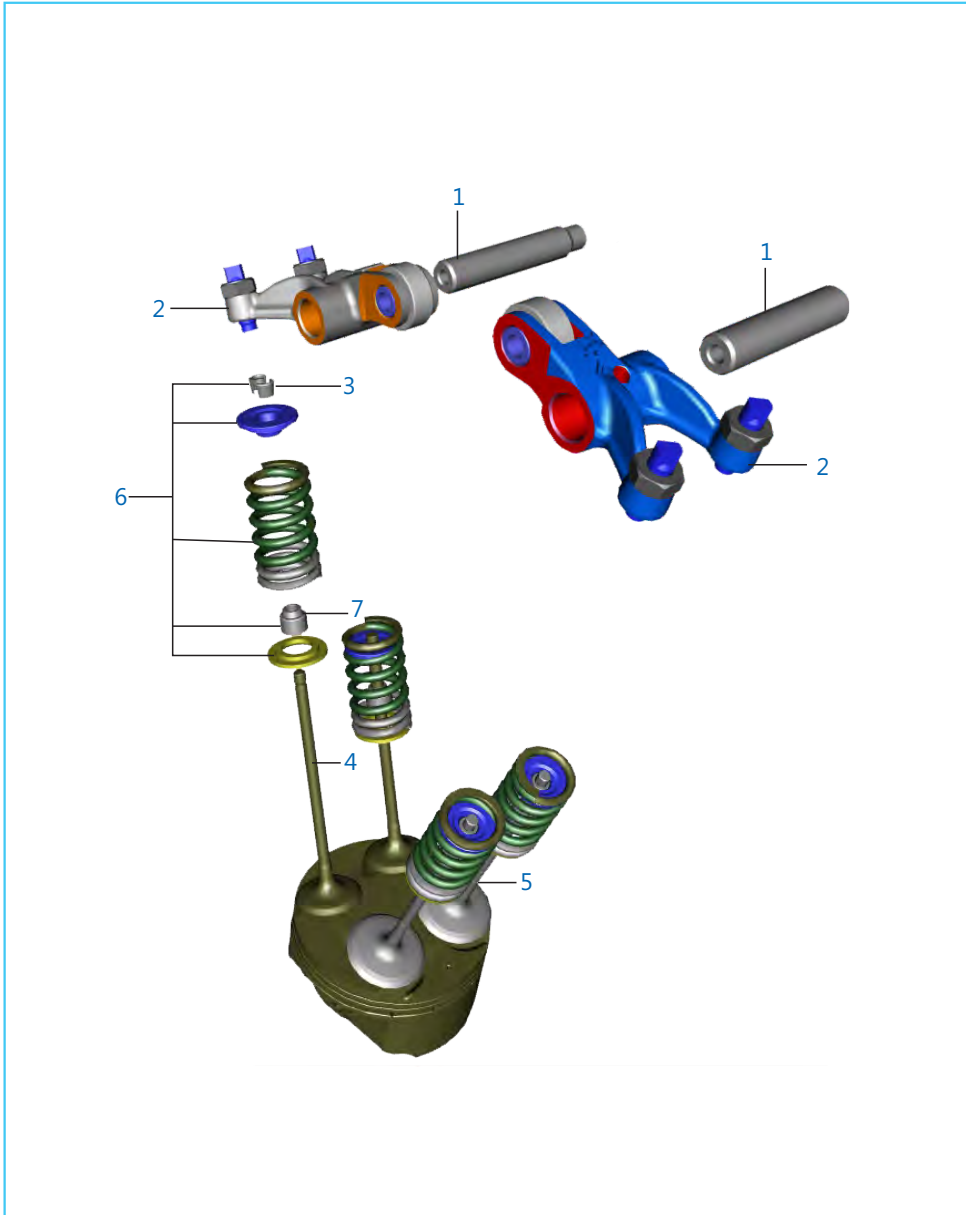
### Sai Unit

No.	Part No.	Description	Qty.	Remarks
1	JH 5822 00	Assembly Sai Unit C101	1	
2	JL 5810 66	Clamp Sai Pipe	2	
3	JE 5824 02	Tube Sai Outlet	1	
4	JE 5110 67	Gasket Flange Sai	1	
5	KA EG06 14	Bolt-flanged-small	2	
6	JE 5810 37	Hose Connector Sai	1	
7	JE 5810 41	Hose Intake Silencer Unit To Sai	1	
8	JY 5810 28	Clamp	2	
9	24 1214 62	Silencer For S.a.i.	1	
10	JE 5810 27	Hose Pipe A/f To Silencer Unit	1	
11	DG 1210 03	Clamp	2	
12	JE 5814 12	Hose Pipe Intake Manifold	1	
13	JE 5814 16	Nipple Connector Manifold Sai	1	
14	KA DF06 30	Bolt Flanged	2	
15	JD 1138 15	Sleeve Sai Unit	4	
16	JD 1138 14	Grommet Sai Unit	2	
17	KC GA06 06	Nut Hex Flanged	2	



### Cylinder Head

No.	Part No.	Description	Qty.	Remarks
1	JE 5111 27	Head Cylinder	1	
2	39 1660 05	Stud	2	
3	PA 5110 98	Gasket Cylinder Head	1	
4	JE 5814 31	Pipe Intake	1	
5	KA ED06 20	Bolt Flange M6 X 1 X 25 L	2	
6	LJ A000 10	'O' Ring (Intake Pipe)	1	
7	JD 5110 04	Sleeve Spark Plug R.H	1	
	PD 5112 05	Sleeve Plug Spark	1	Ref.Cir.IB-362
8	39 2608 01	Grub Screw	1	
9	39 2629 21	'O' Ring Sleeve	1	
	KJ AC18 24	O Ring	1	Ref.Cir.IB-362
10	39 1283 21	'O' Ring Sleeve	1	
11	DD 1110 18	Spark Plug	2	
12	JH 5812 02	Clamp	2	
13	JD 5812 03	Sleeve Carburettor	1	

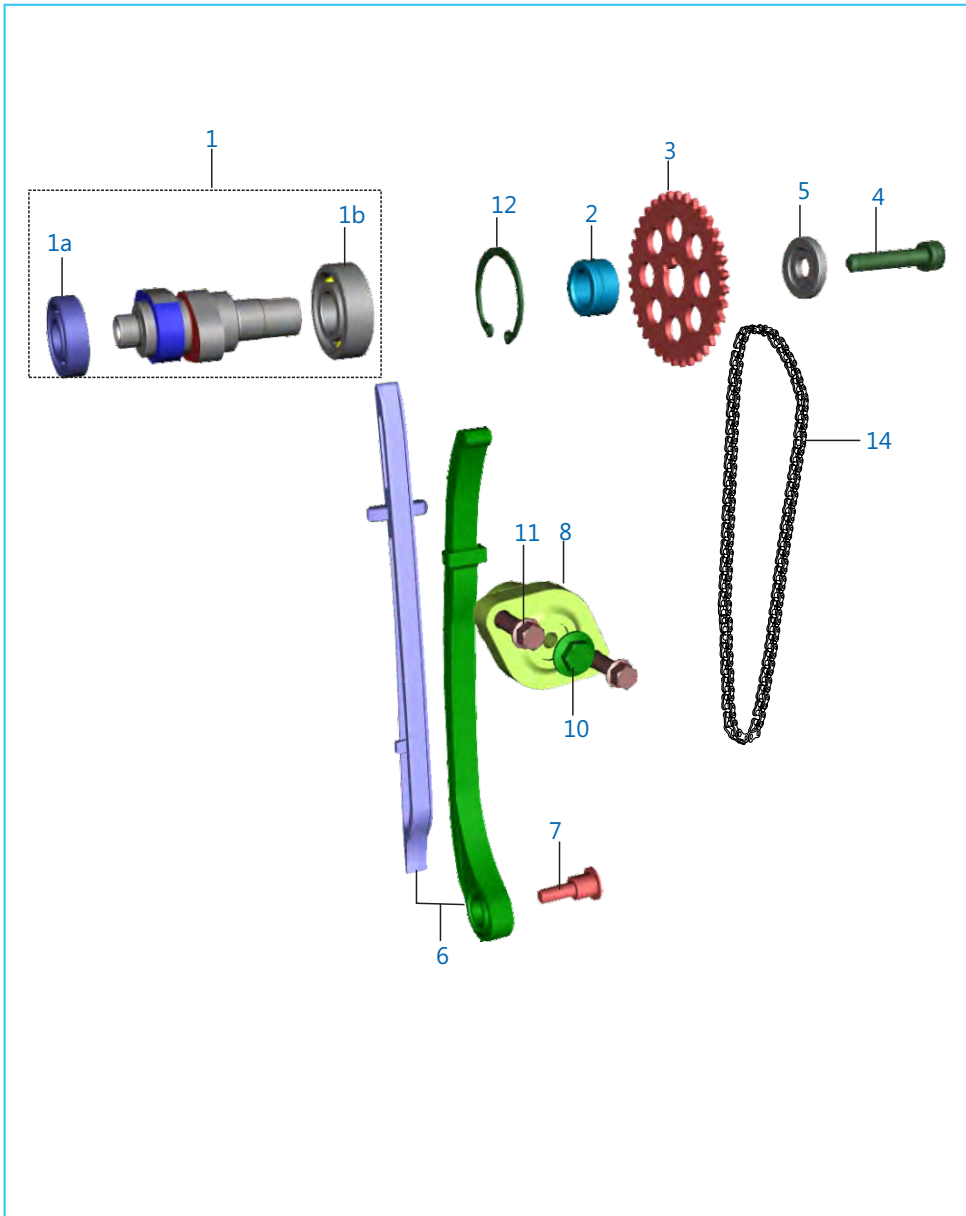


Valve

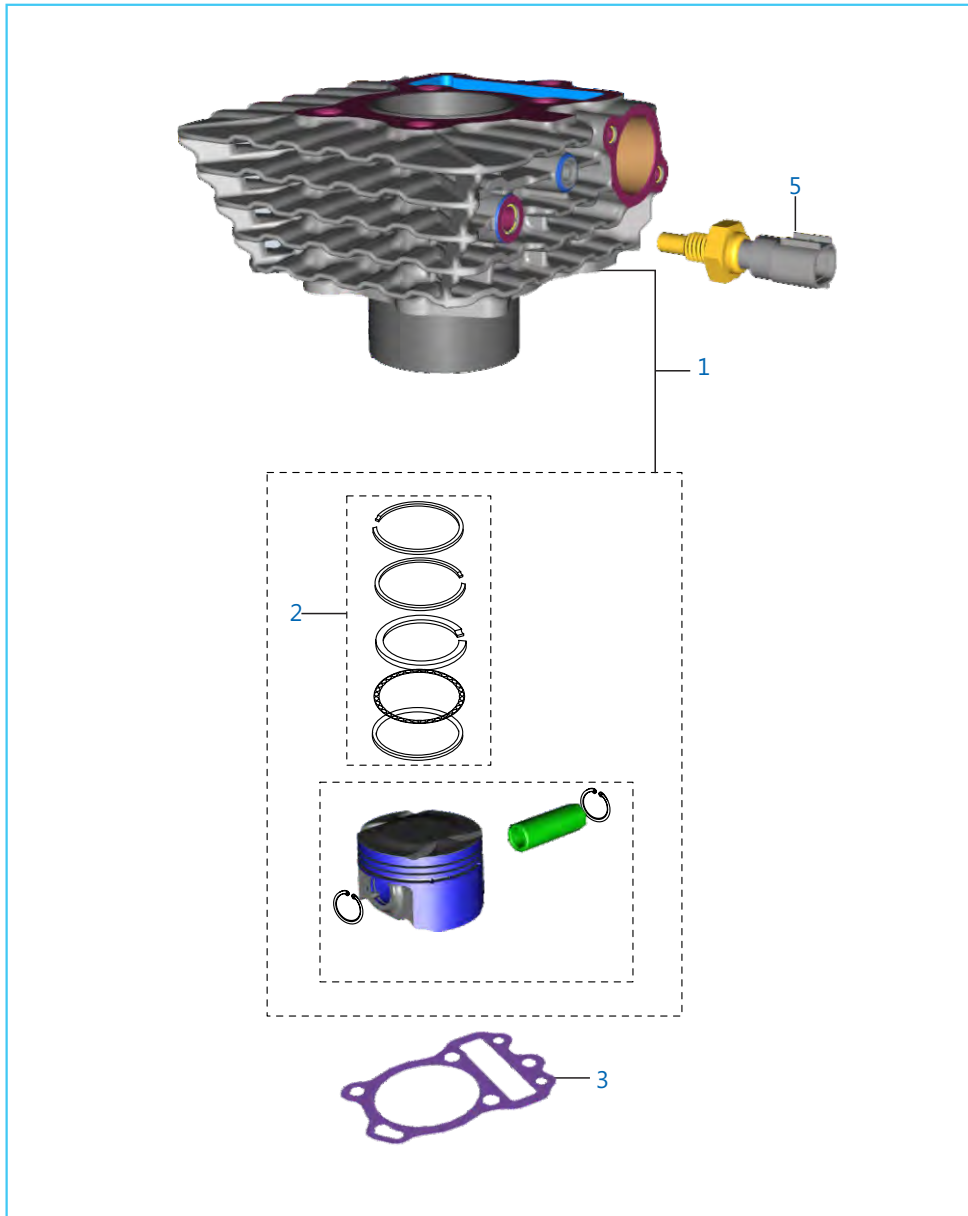
No.	Part No.	Description	Qty.	Remarks
1	JD 5112 09	Shaft Rocker Arm	2	
2	PA 5112 54	Assembly Rocker Arm	2	
3	DG 1010 29	Cotter Valve	8	
4	PA 5112 56	Valve Intake	2	
5	PA 5112 57	Valve Exhaust	2	
6	36 JD01 06	Valve Repair Kit	1	
7	39 2017 19	Seal Valve Stem	4	
8	36 JD01 07	Kit Valve Intake & Exhaust	1	4 & 5

Plate No.: 5

Camshaft / Tensioner



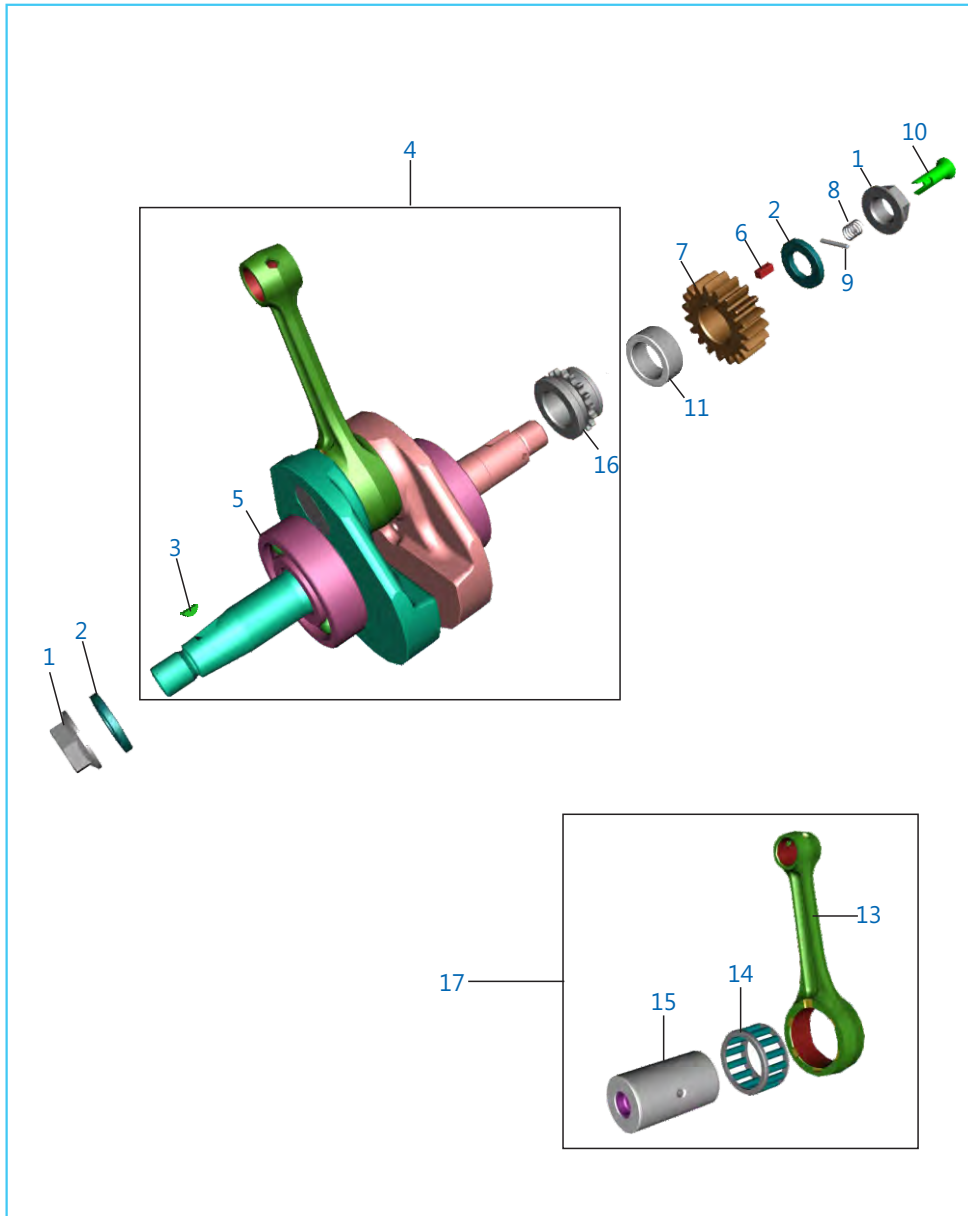
No.	Part No.	Description	Qty.	Remarks
1	PA 5112 51	Assly Camshaft	1	
1a	JE 5110 49	Bearing Cam Shaft D102c	1	
1b	39 1880 20	Ball Bearing 15x32x9	1	
2	JA 5112 16	Spacer Cam Sprocket	1	
3	JE 5112 37	Cam Sprocket Silent Chain	1	
4	DK 1013 86	Pre-coated Socket Bolt M8 X 20	1	
5	DH 1010 48	Special Washer ('O' Washer)	1	
6	36 JZ01 22	Guide Chain Kit	1	
7	DH 1013 92	Cam Chain Tensioner Pivot Bolt	1	
8	JE 5210 16	Chain Tensioner	1	
9	CS 1011 28	Gasket	1	N.I
10	DD 1010 62	Bolt Tensioner	1	
11	39 1673 04	Flange Bolt M6 X 1 X 20 L	2	
12	39 0594 17	Circlip for Camshaft	1	
13	39 2669 21	'O' Ring (Tensioner)	1	N.I
14	JE 5112 36	Cam Chain Silent D106a	1	



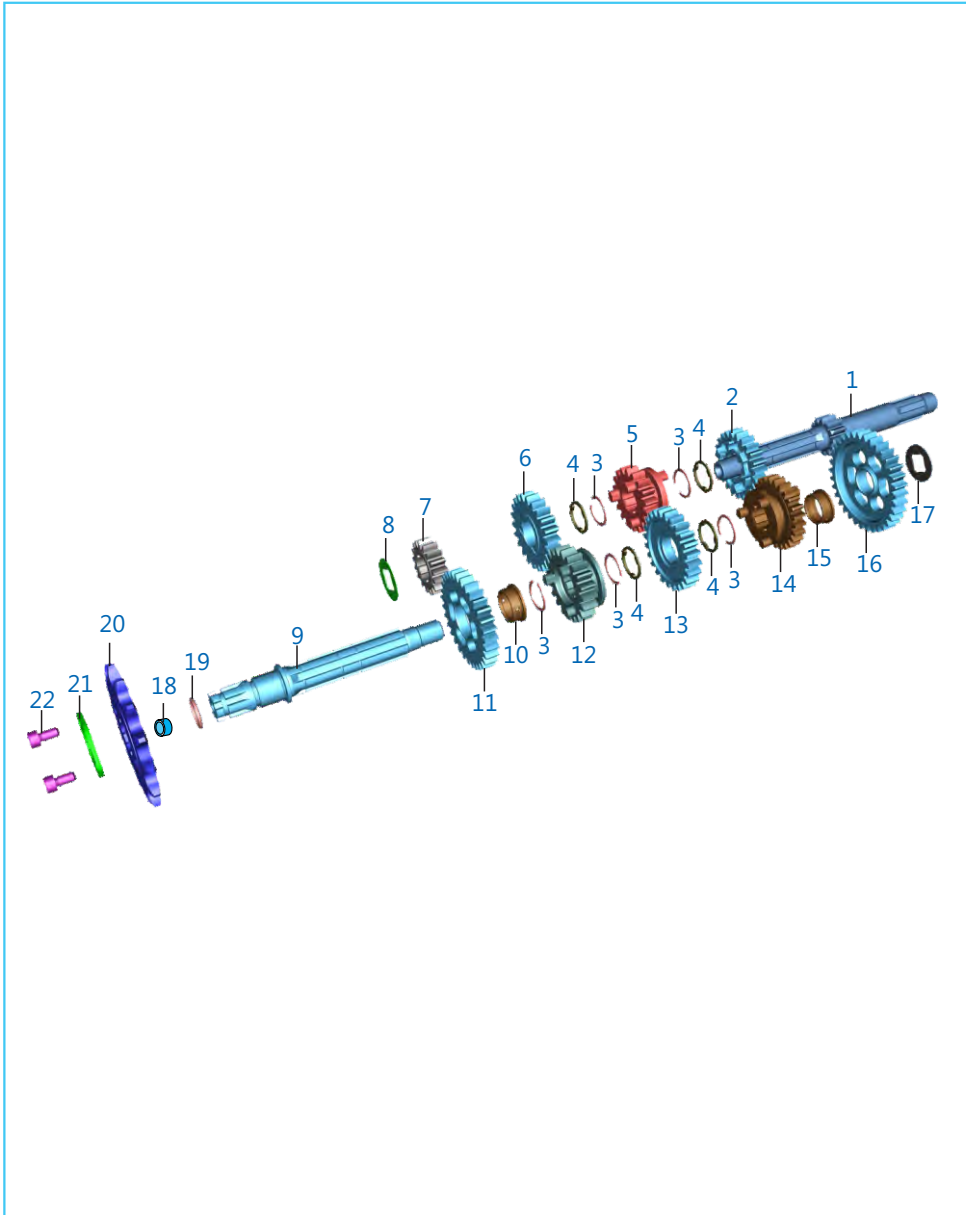
### Cylinder and Piston

No.	Part No.	Description	Qty.	Remarks
1	36 JD00 80	Kit Cyl Block & Piston P125	1	
2	36 JH00 32	Kit Piston Rings	1	
3	JH 5210 07	Gasket Cylinder Block	1	
4	39 1000 06	Dowel Pin	4	
5	JE 3514 03	Engine Temperature Sensor	1	

Crankshaft

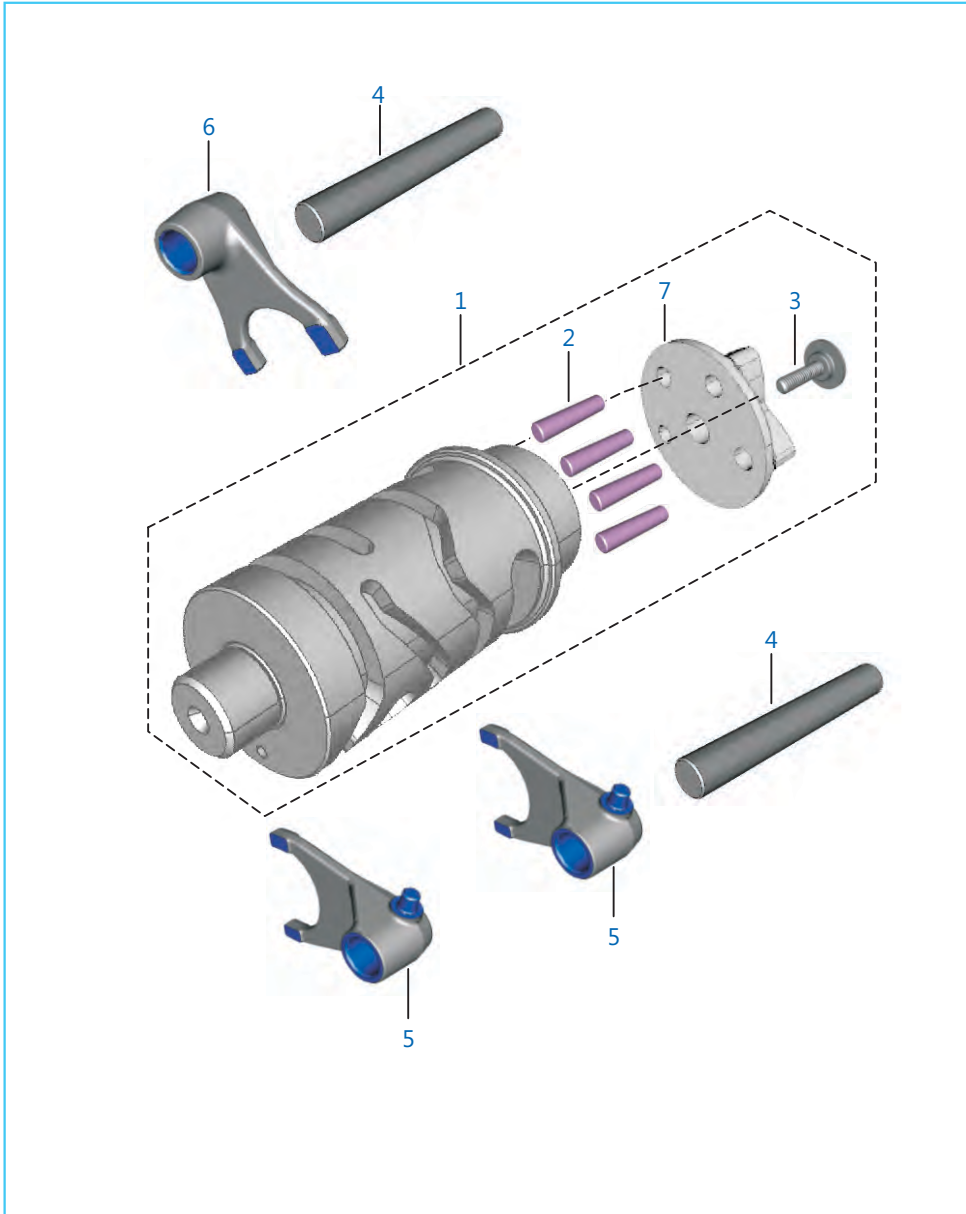


No.	Part No.	Description	Qty.	Remarks
1	59 1500 14	Flange Nut	2	
2	LD A000 25	Washer Plain	2	
3	31 1011 73	Woodruff Key	1	Not Part of Assly
4	JE 5310 47	Crank Shaft Assembly	1	
5	JE 5310 01	Bearing	2	
6	DS 1011 54	Parallel Key	1	
7	JZ 5310 06	Gear Primary Drive	1	
8	JA 5310 12	Spring	1	
9	JA 5310 15	Parallel Pin	1	
10	JB 5310 21	Plunger Oil	1	
11	JD 5310 04	Spacer Crankshaft Clutch Side	1	
12	JE 5410 38	Damper Crankshaft	1	N.I.
13	JW 5310 04	Connecting Rod	1	
14	CS 1010 44	Brg Needle Big End 25x32x15.8	1	
15	JH 5310 03	Pin Crank_k11	1	
16	JE 5310 36	Crank Sprocket Silent Chain	1	
17	36 JD01 08	Kit Connecting Rod	1	



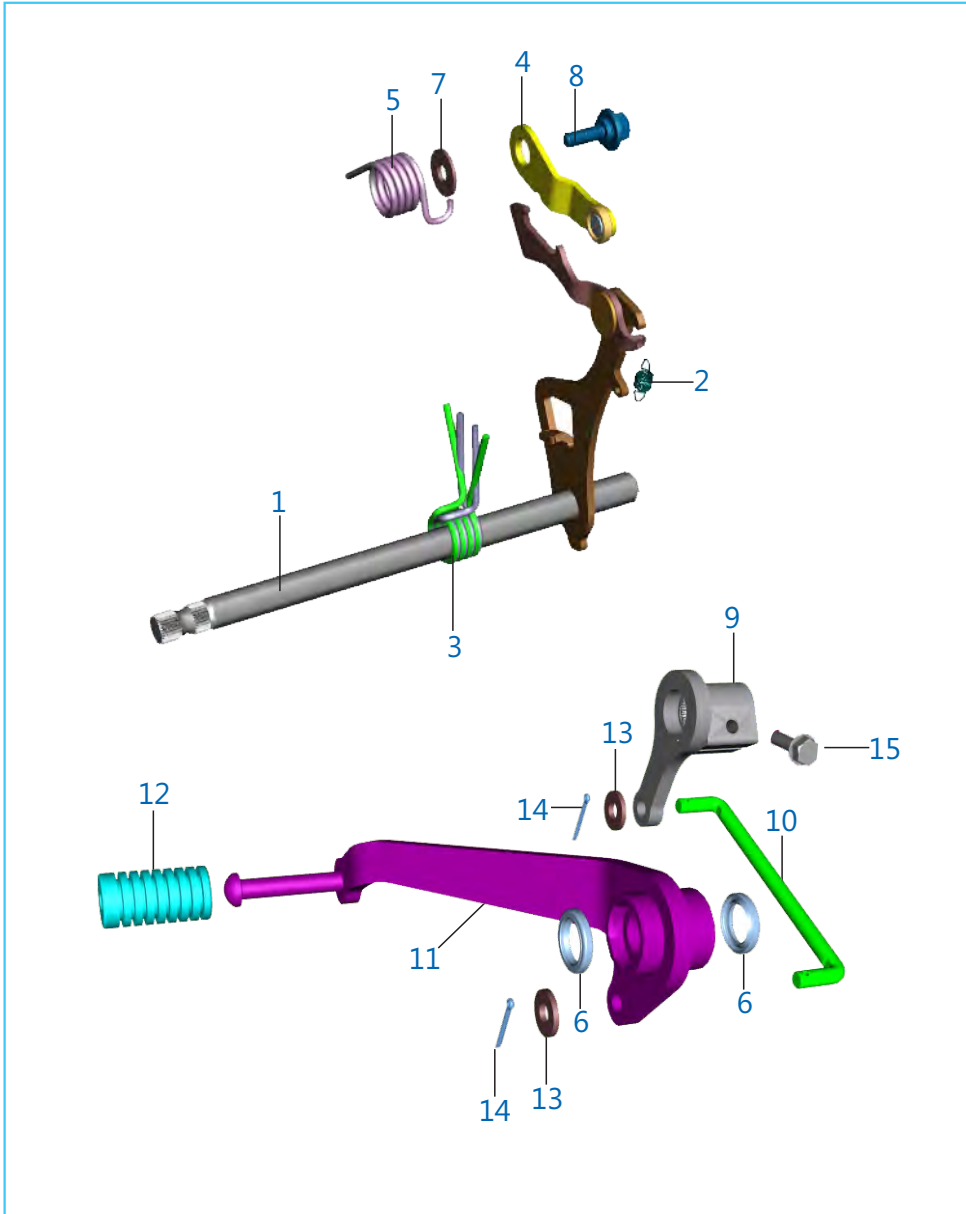
## Transmission

No.	Part No.	Description	Qty.	Remarks
1	JZ 5510 10	Shaft Input Transmission	1	
2	JZ 5512 02	Gear 4th Drive	1	
3	39 0987 17	Ring Snap	5	
4	JA 5510 02	Spline Washer	4	
5	JE 5512 01	Gear 3rd Drive	1	
6	JZ 5512 13	Gear 5th Drive	1	
7	JE 5512 00	Gear 2nd Drive	1	
8	JA 5510 04	Washer Thrust 2nd Drive	1	
9	JZ 5510 08	Shaft Output Transmission	1	
10	JZ 5512 10	Bush 2nd Driven	1	
11	JE 5512 05	Gear 2nd Driven	1	
12	JZ 5512 11	Gear 5th Driven	1	
13	JE 5512 06	Gear 3rd Driven	1	
14	JE 5512 02	Gear 4th Driven	1	
15	JE 5512 15	Bush 1st Driven	1	
16	JE 5512 15	Gear 1st Driven	1	
17	JA 5510 08	Washer Thrust 1st Driven	1	
18	JA 5510 09	Collar Sprocket Drive	1	
19	59 2100 24	'O' Ring Collar Sprocket	1	
20	JZ 5510 04	Sprocket Output (14 T)	1	
21	DU 1012 13	Plate Lock Sprocket	1	
22	DS 1013 55	Socket Head Bolt	2	



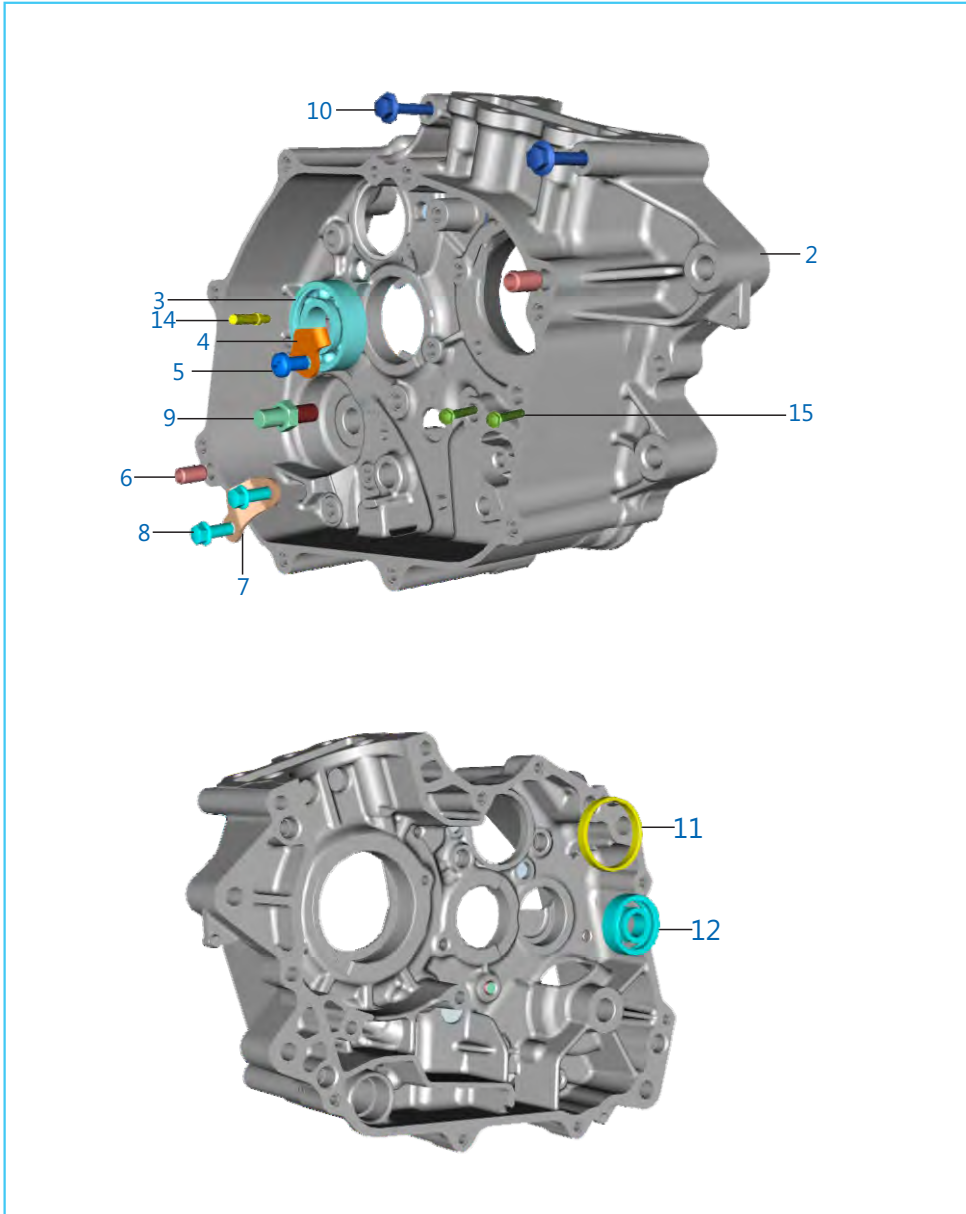
### Change Drum / Shift Fork

No.	Part No.	Description	Qty.	Remarks
1	JE 5610 06	Drum Complete Gear Shift	1	
2	39 0992 06	Dowel (Pin Drum Change)	4	
3	JD 5610 11	Special Bolt	1	
4	JD 5610 06	Shaft Gear Shift Fork	2	
5	JD 5610 04	Fork Gear Shift Output	2	
6	JZ 5610 02	Fork Gear Shift Input	1	
7	JE 5610 05	Cam Drum Change	1	



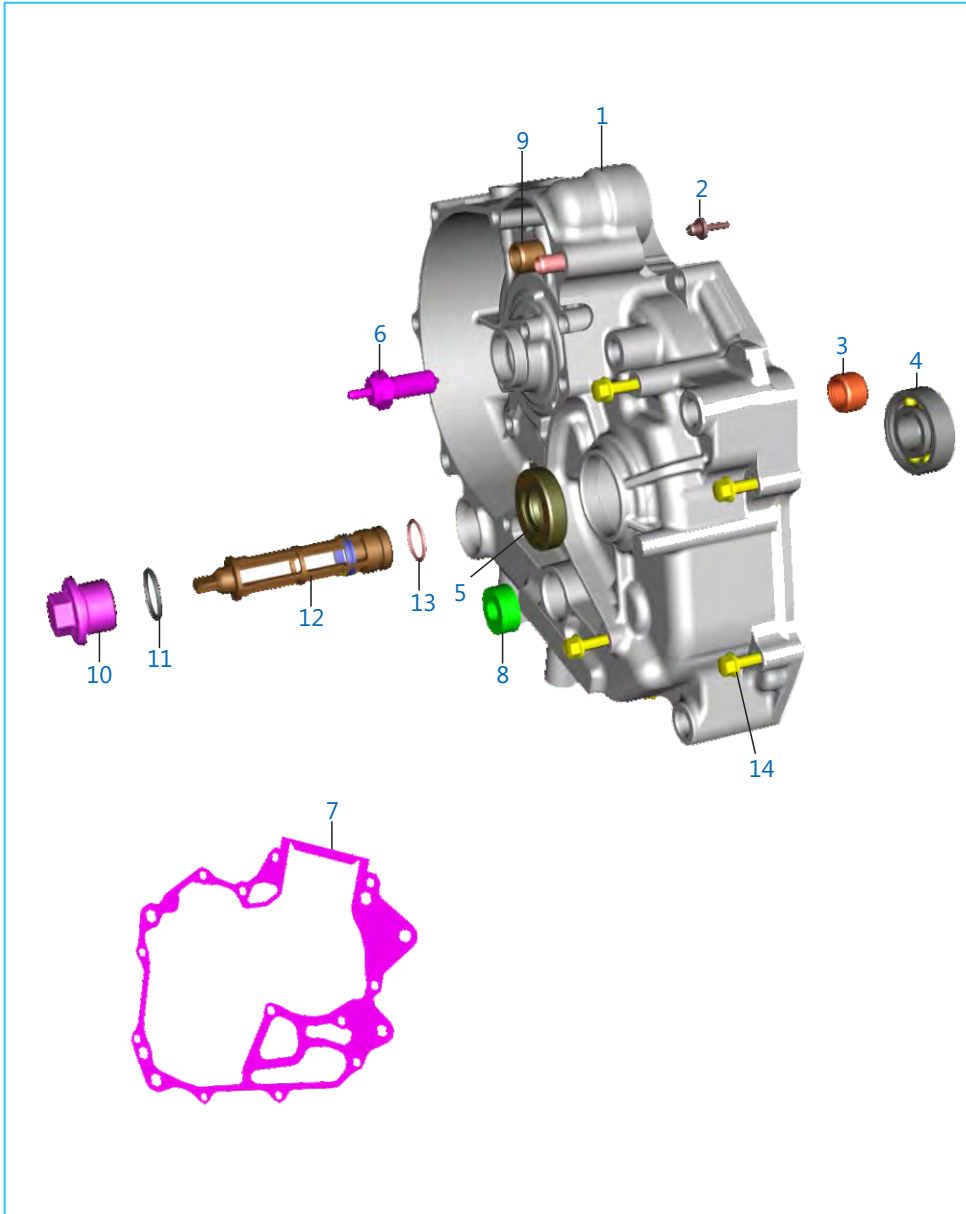
### Gear Change Mechanism

No.	Part No.	Description	Qty.	Remarks
1	52 JZ02 64	Lever Complete Gear Shift	1	
2	JW 5612 06	Extension Spring	1	
3	JW 5612 08	Spring Gear Shift Return	1	
4	PA 5612 09	Inhibitor Complete Gear Shift	1	
5	JD 5612 04	Spring Inhibitor	1	
6	39 1998 19	Oil Seal	2	
7	LD B000 44	Washer Plain	1	
8	BF 5612 19	Bolt Detent Lever	1	
9	JD 5614 23	Arm Lever Change Gear	1	
10	JD 5614 13	Tie Rod	1	
11	JD 5614 15	Lever Complete Change	1	
12	DH 1015 09	Damper	1	
13	JD 5614 16	Washer - Nylon	2	
14	39 0808 08	Split Pin	2	
15	39 1902 04	Bolt Flange	1	



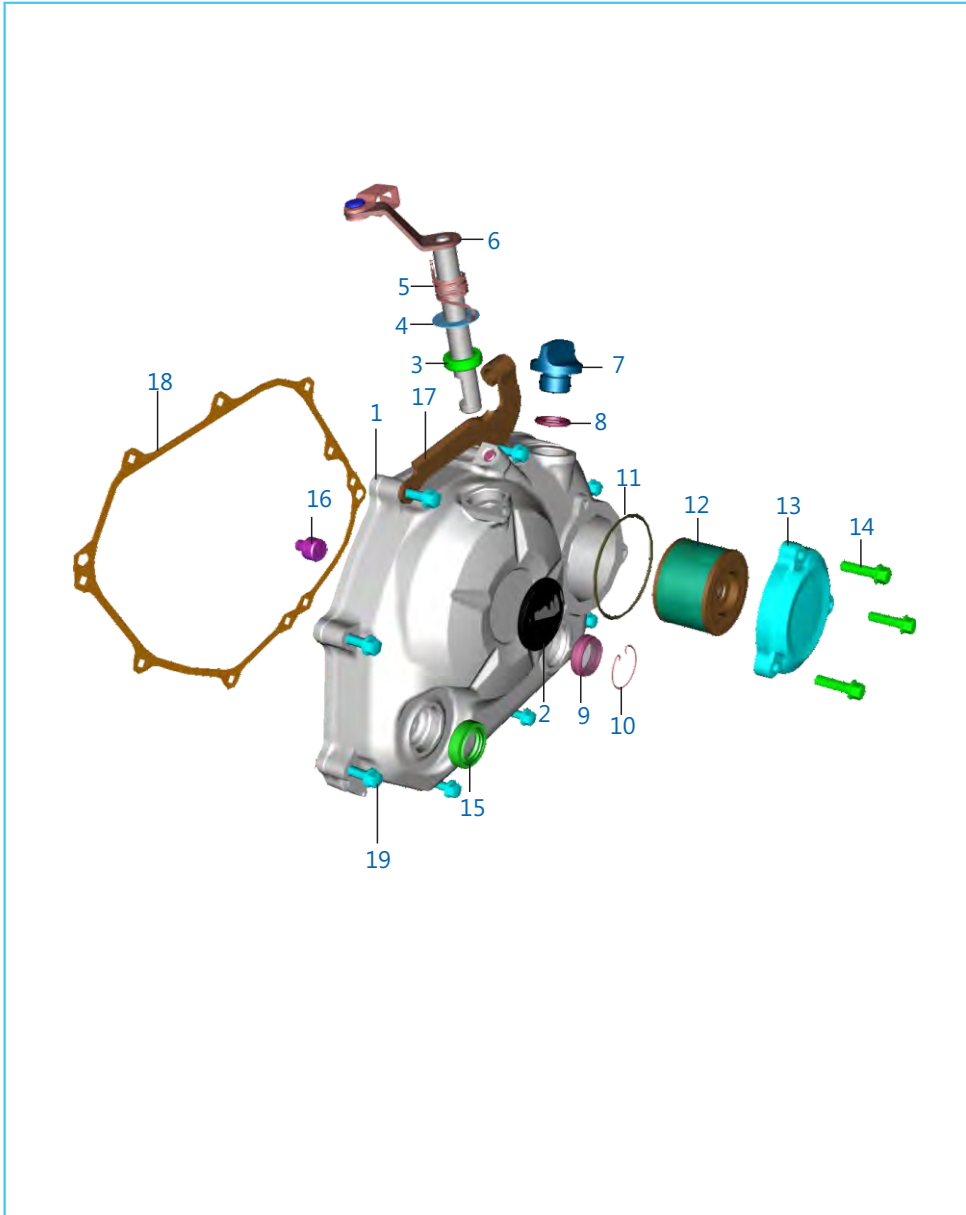
Engine Assembly / Crankcase RH

No.	Part No.	Description	Qty.	Remarks
1	JE 5010 53	Engine Assembly	1	N.I.
2	36 PA02 11	Kit Assly Crankcase RH	1	
3	59 2000 36	Bearing Ball	1	
4	JA 5410 10	Stopper Plate	1	
5	DH 1013 80	Screw	1	
6	39 0999 06	Dowel Pin	2	
7	JA 5410 12	Guide Kick	1	
8	DH 1016 39	Lock Screw Earthing	2	
9	52 JA00 29	Bolt Shift Change	1	
10	LA E000 25	Bolt Flanged Small	2	
11	PF 5410 18	Bushing Drum	1	
12	KP BF62 01	Bearing Ball	1	
13	BA 1020 04	Plug	1	N.I.
14	JE 5410 28	Pin K11	1	
15	KA EF06 50	Bolt-flange	2	



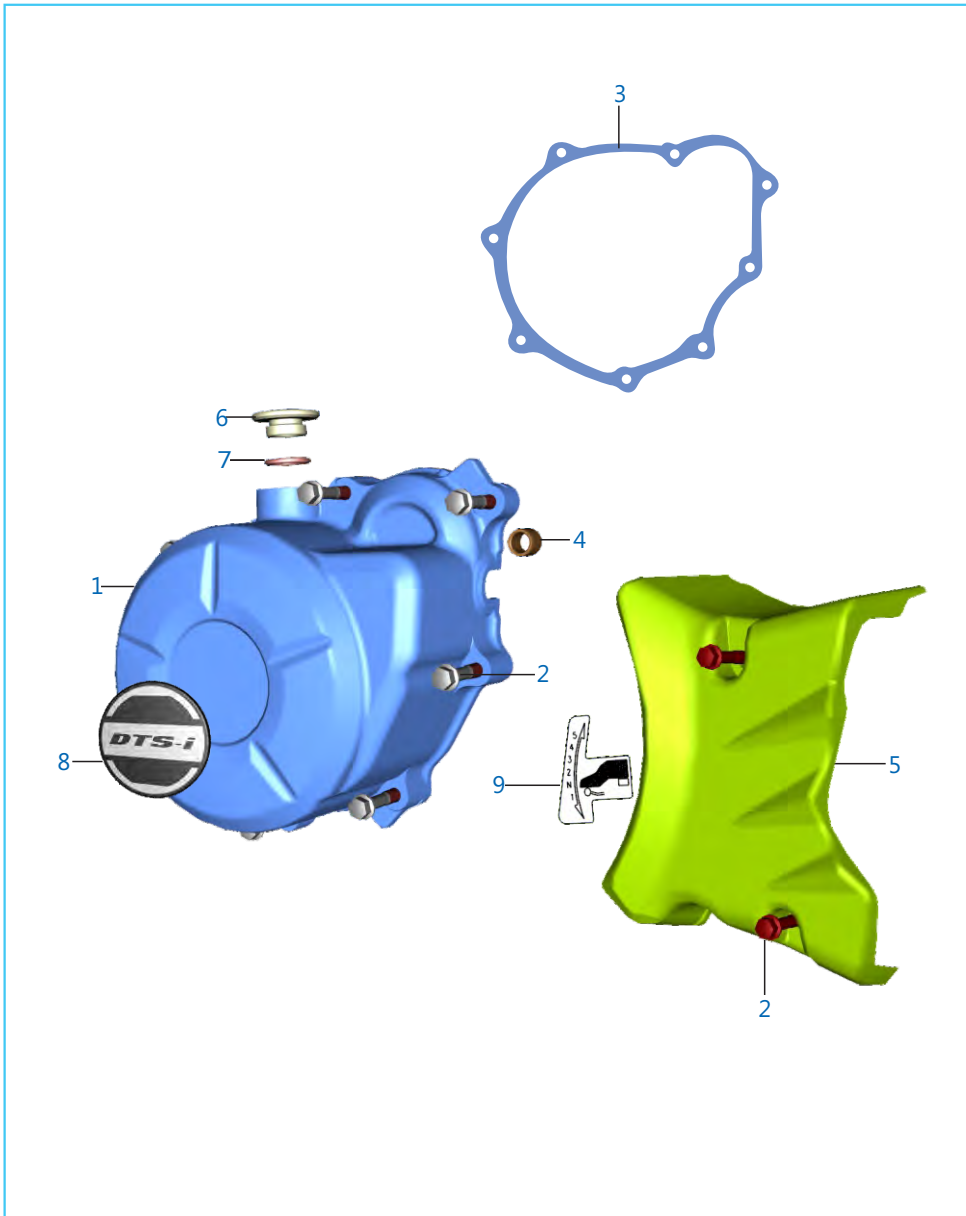
Crankcase LH (Magneto Side)

No.	Part No.	Description	Qty.	Remarks
1	JE 5410 74	Crankcase LH	1	
2	JZ 5410 05	Nozzle Oil Jet	1	
3	39 2562 20	Needle Roller Bearing	1	
4	59 2000 36	Ball Bearing	1	
5	39 1715 19	Seal Oil	1	
6	31 2010 81	Neutral Switch	1	
6a	DH 1017 84	Gasket Neutral Switch	1	N.I.
7	JH 5410 15	Gasket crankcase	1	
8	39 2190 19	Oil Seal	1	
9	JA 5410 05	Bush Starter Clutch	1	
10	JA 5410 21	Cap Strainer	1	
11	59 2100 23	'O' Ring Cap Strainer	1	
12	JA 5410 19	Mesh Filter Oil strainer	1	
13	LJ A000 04	'O' Ring Mesh Filter Oil Strainer	1	
14	59 0400 38	Bolt Flange	6	



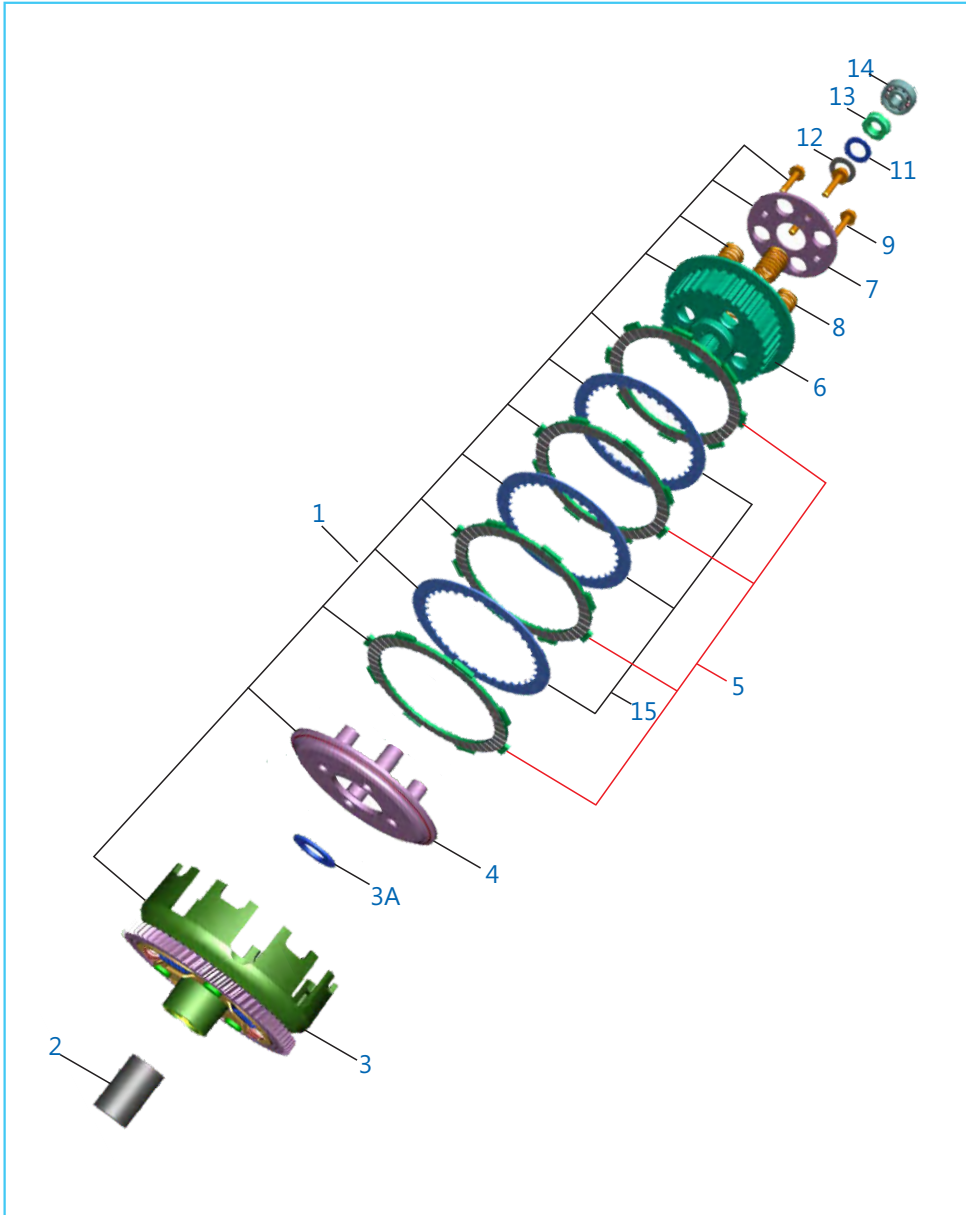
### Cover Clutch

No.	Part No.	Description	Qty.	Remarks
1	52 JE02 27	Clutch Cover	1	
2	JE 5412 11	Decal Clutch Cover	1	
3	39 1041 19	Oil Seal Clutch Lever	1	
4	39 2443 11	Plain Washer	1	
5	JH 5412 10	Spring Clutch Release Shaft C101	1	
6	JV 5412 08	Shaft Clutch Release Assy	1	
7	JA 5412 11	Cap Oil Filler	1	
8	JA 5412 25	'O' Ring Cap Oil Filler	1	
9	JL 5412 27	Window Oil Guage	1	
10	DS 1012 15	Wire Circilp	1	
11	39 1671 21	'O' Ring	1	
12	DD 1211 81	Oil Filter Element	1	
13	JZ 5412 14	Cap Filter	1	
14	LA E000 05	Bolt Flange	3	
15	30 1011 42	Oil Seal (Kick Shaft)	1	
16	PF 5514 07	Rod Push	1	
17	JE 5412 91	Bracket Clutch Cable	1	
18	JA 5412 12	Gasket Clutch Cover	1	
19	59 0400 38	Bolt Flange	8	



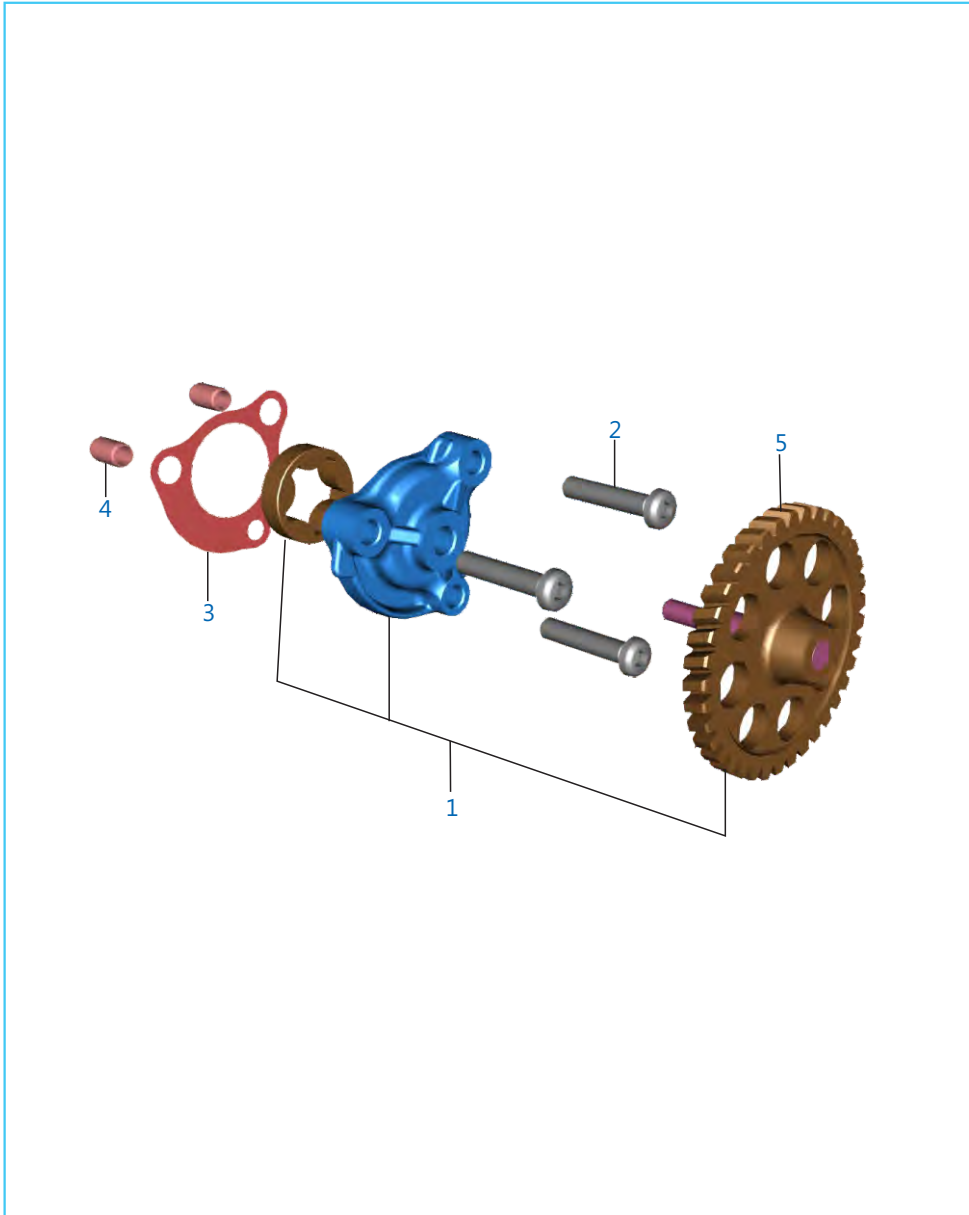
### Cover Magneto

No.	Part No.	Description	Qty.	Remarks
1	52 JE55 10	Magneto Cover Assly-Matt Slate Gray	1	
2	59 0400 38	Bolt Flange	9	
3	JB 5412 24	Gasket Magneto Cover	1	
4	JA 5410 05	Bush	1	
5	JE 5412 81	Cover Assembly-Rear-LH	1	
6	JA 5412 33	Cap TDC Finder	1	
7	30 1011 95	'O' Ring	1	
8	JE 5412 12	Decal Magneto Cover	1	
9	JE 5412 87	Label Gear Shift	1	



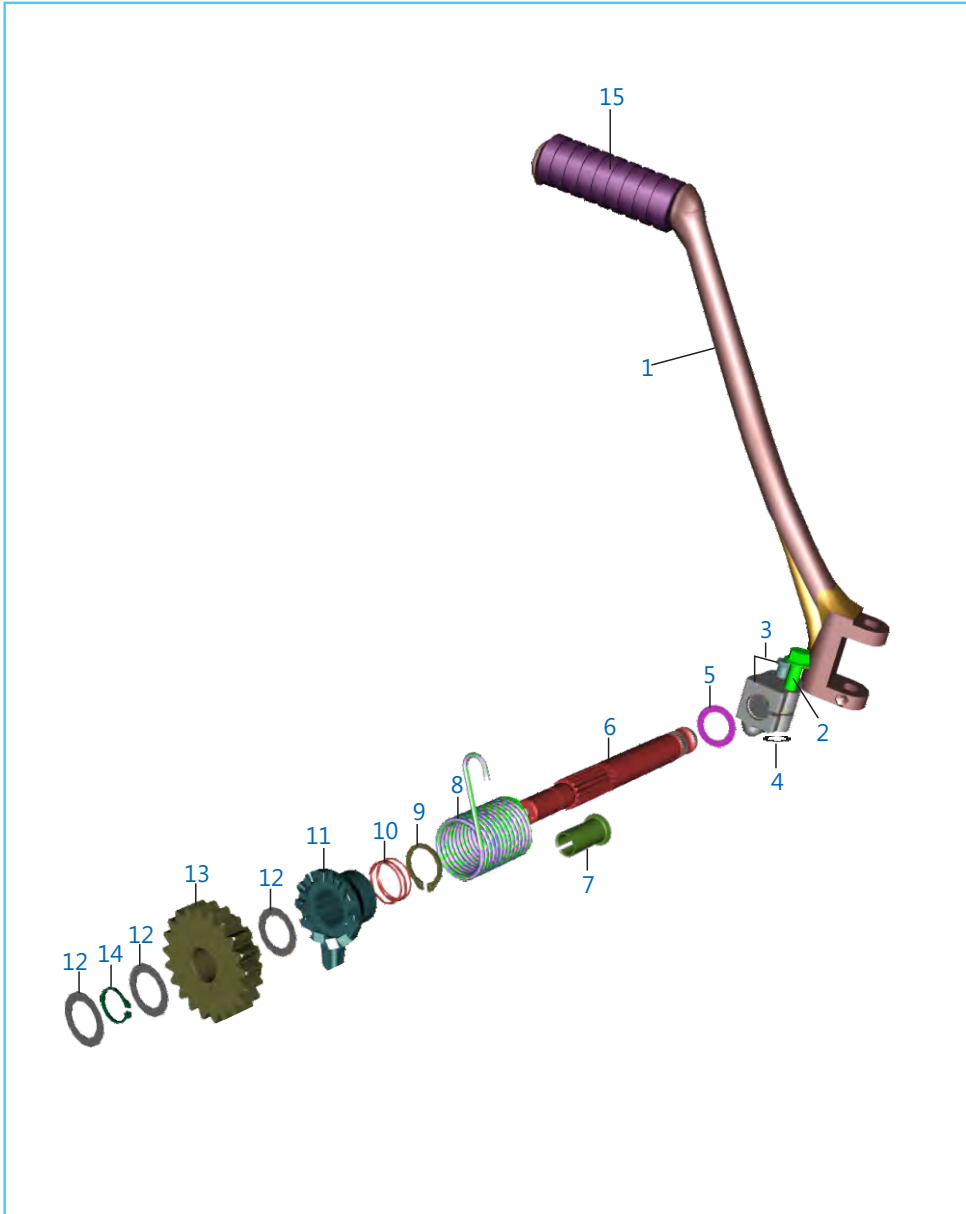
### Clutch Assembly

No.	Part No.	Description	Qty.	Remarks
1	JE 5514 34	Assembly Clutch	1	
2	JA 5514 06	Collar Clutch	1	
3	JE 5514 35	Housing Assly Clutch	1	
3A	39 1057 11	Washer - Clutch	1	
4	JE 5514 39	Wheel Clutch	1	
5	36 JD00 90	Kit Friction Plate	1	
6	JE 5514 38	Hub Clutch	1	
7	PF 5514 06	Holder Clutch	1	
8	JE 5514 40	Spring Clutch	4	
9	39 1553 04	Bolt Upset	4	
10	JD 5514 00	Spacer Clutch Assembly	1	
11	39 2200 11	Washer Plain	1	
12	39 0240 11	Washer Plain	1	
13	DH 1016 48	Nut Crankshaft M14	1	
14	14 1510 33	Bearing - Ball	1	
15	36 JD01 11	Kit Clutch Plate	1	



### Oil Pump

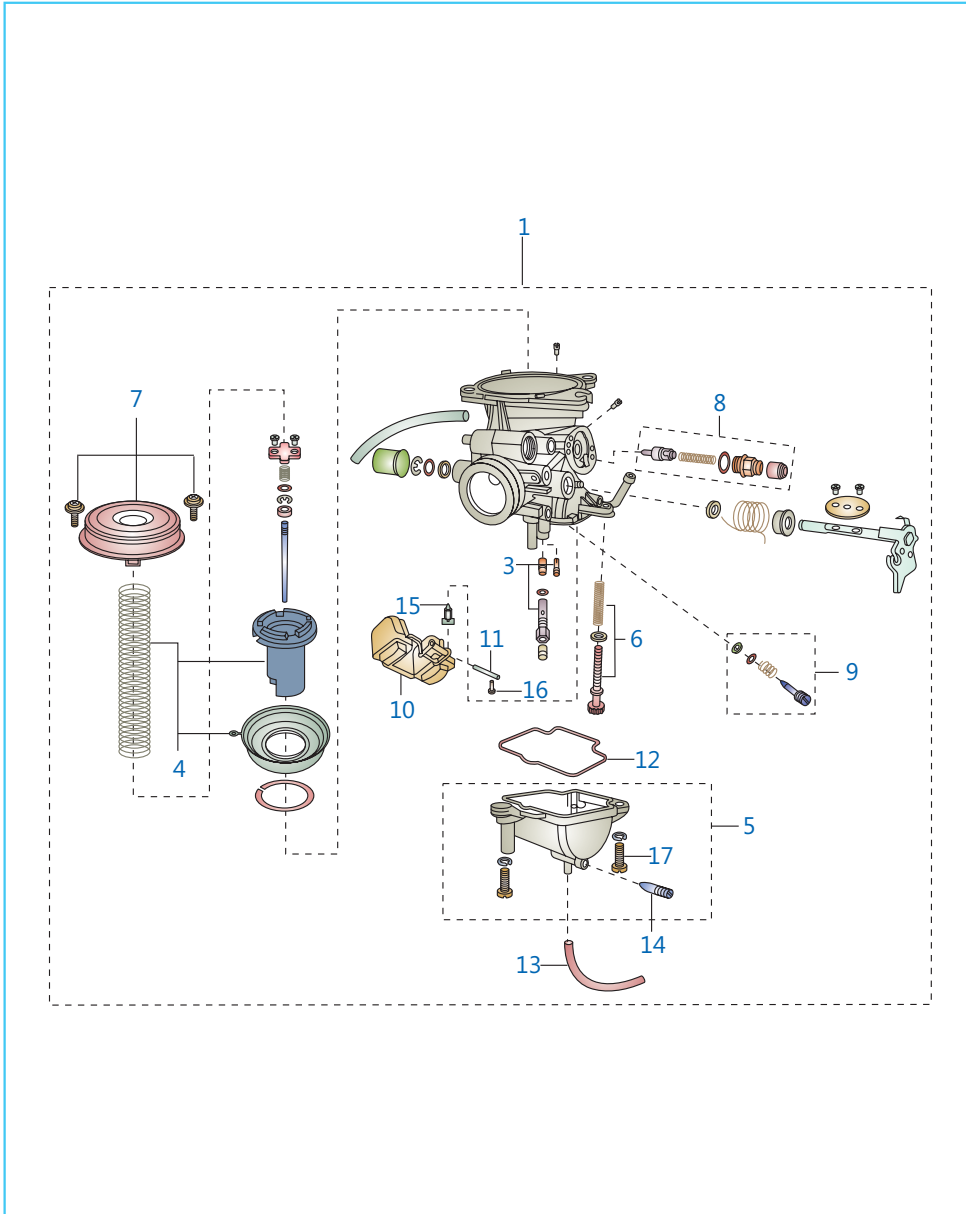
No.	Part No.	Description	Qty.	Remarks
1	JZ 5710 00	Assly Oil Pump	1	
2	FD 1010 78	Pan Head Screw	3	
3	JA 5410 16	Gasket Case Oil Pump	1	
4	39 0999 06	Pin Dowel	2	
5	JZ 5710 01	Gear Oil Pump Driven	1	



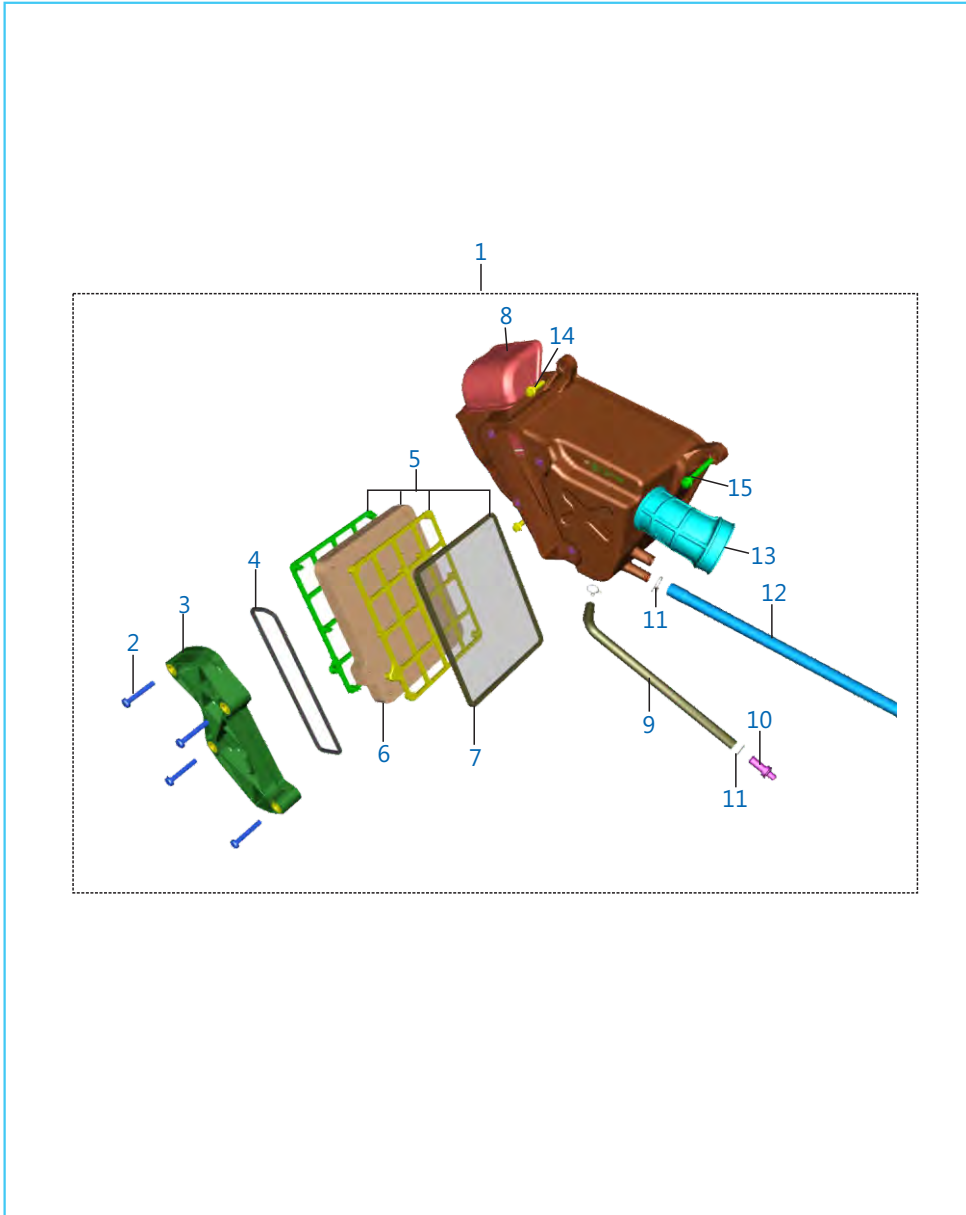
### Kick Starter Mechanism

No.	Part No.	Description	Qty.	Remarks
1	JE 6212 06	Lever Assembly Kick	1	
2	JA 6212 06	Bolt Special	1	
3	36 JH00 09	Boss Kick Set	1	
4	22 1502 41	Plain Washer	1	
5	JA 6210 06	Washer Thrust	1	
6	PA 6210 07	Shaft Kick	1	
7	JE 6210 04	Sleeve	1	
8	JE 6210 03	Spring	1	
9	39 0738 17	Circlip Shaft	2	
10	DS 1011 17	Spring Kick Starter	1	
11	JA 6210 02	Ratchet	1	
12	39 0993 11	Plain Washer Small	3	
13	PA 6210 08	Assembly Kick Pinion Gear	1	
14	39 2408 17	Circlip	1	
15	DD 1010 97	Damper	1	

Carburettor

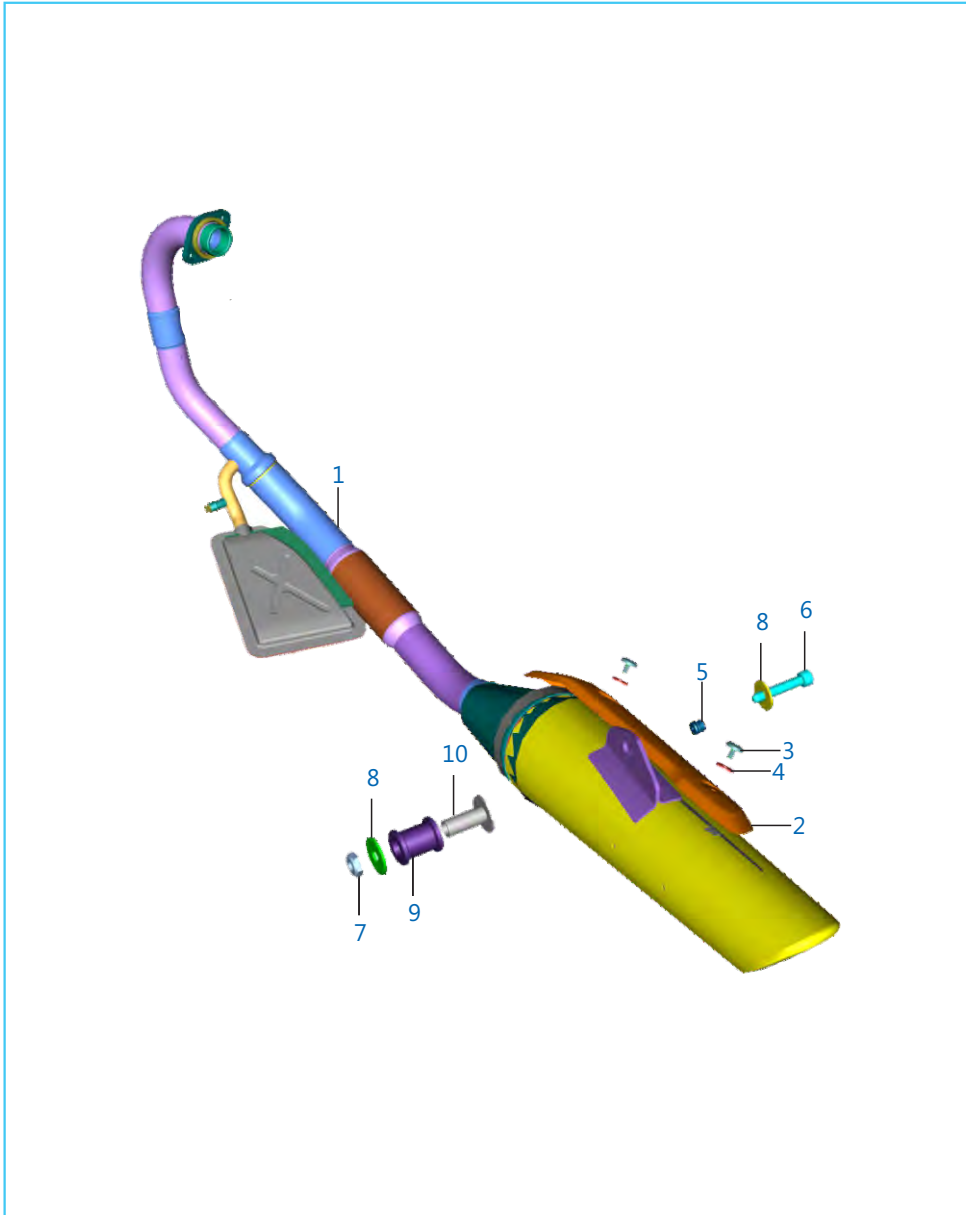


No.	Part No.	Description	Qty.	Remarks
1	JE 5812 47	Carburettor	1	
2	36 JH00 12	Kit Carb O Rings&gasket	1	N.I
3	36 JE00 33	Jet Kit	1	
4	36 JE00 31	Piston Valve Assy Kit	1	
5	36 JH00 15	Kit Carb Float Chamber Body	1	
6	36 JH00 74	Vacuum Adjuster Kit	1	
7	36 JE00 34	Top Cap Assy Kit	1	
8	36 JH00 18	Kit Carb Plunger Assly	1	
9	36 JH00 16	Kit Carb Pilot Screw	1	
10	DH 1210 59	Float Assembly	1	
11	DH 1210 63	Pin	1	
12	DP 1210 59	O Ring	1	
13	JE 5812 23	Pipe Over Flow Bs26	1	
14	JE 5812 18	Screw Drain Bs26	1	
15	DH 1210 93	Needle Assembly	1	
16	DH 1210 64	Screw	1	
17	DH 1211 76	Screw	2	



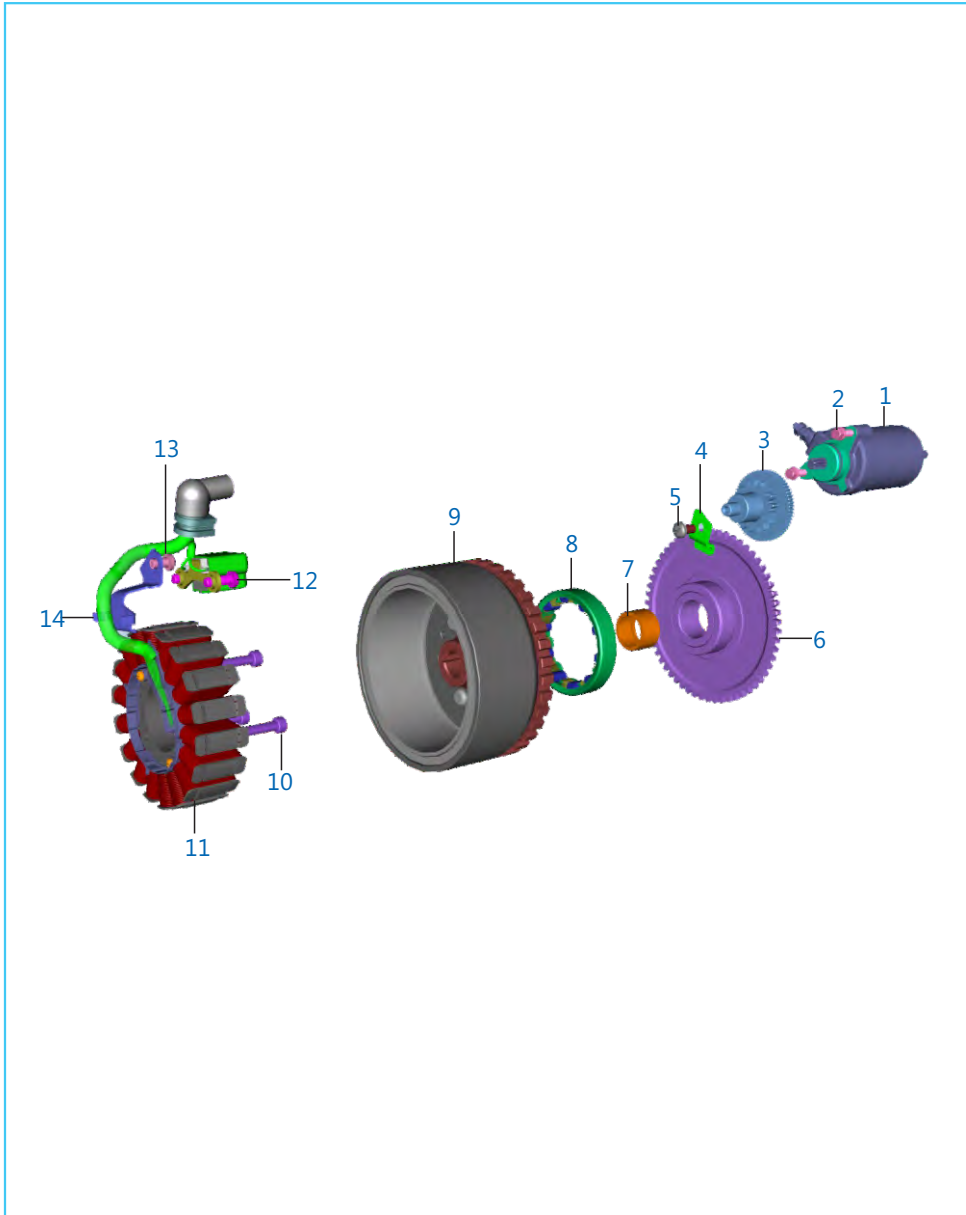
### Air Cleaner Complete

No.	Part No.	Description	Qty.	Remarks
1	JE 5810 94	Air Filter Assembly	1	
2	39 0758 01	Screw Pan Cross	4	For Cartridge Cover
3	JB 5810 35	Cover Assembly Cartridge	1	
4	JA 5810 11	'O' Ring Cartridge Cover	1	
5	PF 5810 11	Assembly Cartridge Air filter	1	
6	PF 5810 12	Element Air Filter	1	
7	JA 5810 09	Flame Arrestor	1	
8	JD 5810 01	Duct Air intake	1	
9	JA 5810 12	Tube Drain	1	
10	DS 1211 26	Plug	1	
11	DP 1210 25	Clamp	3	
12	JA 5110 11	Hose Breather	1	
13	JE 5811 00	Connecting Tube	1	
14	39 2147 04	Flange Bolt	1	
15	DF 1614 26	Bolt Stepped With Flange	2	



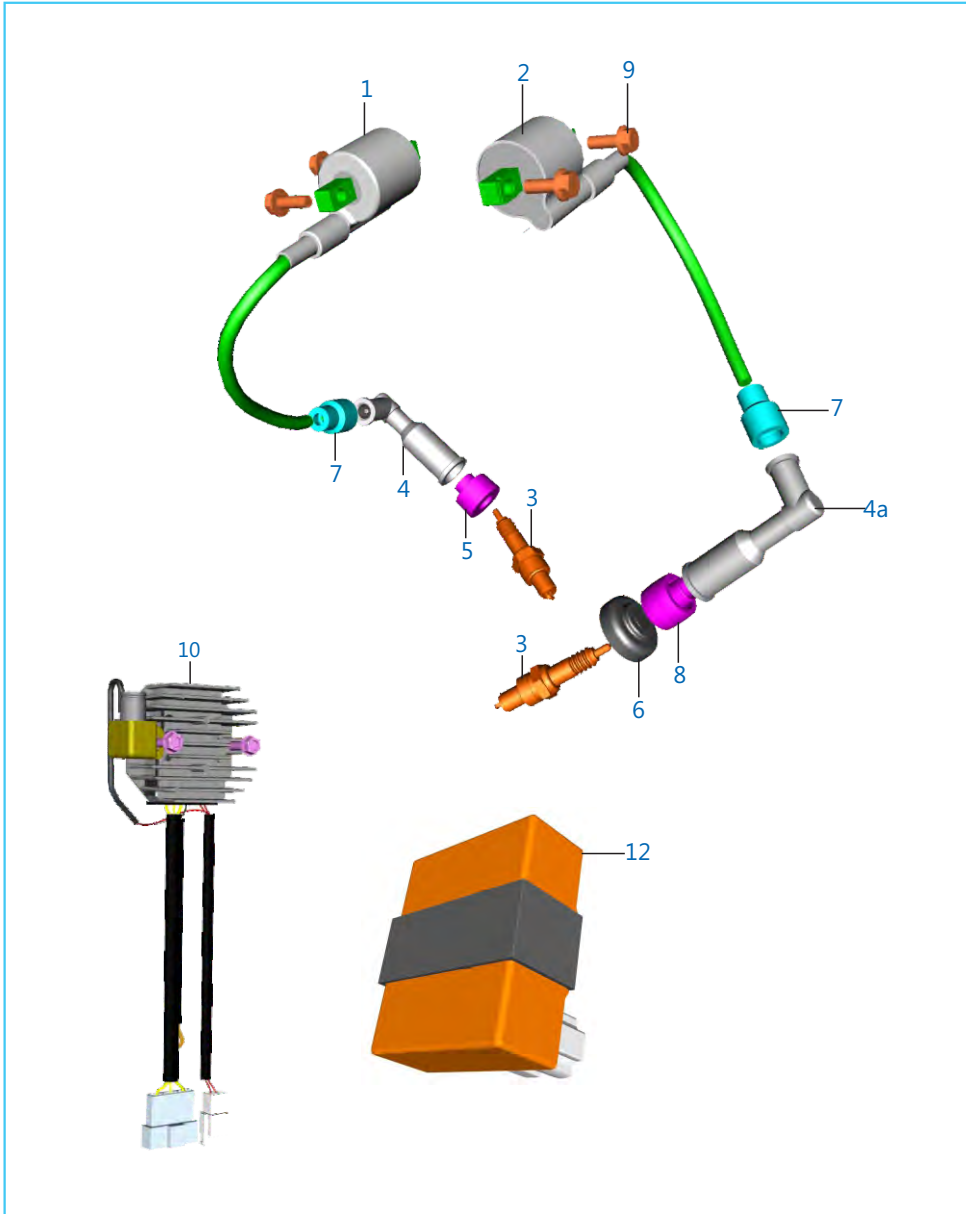
### Silencer Assembly

No.	Part No.	Description	Qty.	Remarks
1	JE 5912 55	Silencer Assembly	1	
2	JE 5912 01	Shield Muffler	1	
3	LB U000 74	Screw	2	
4	LD B000 80	Washer	2	
5	JB 5910 59	Damper Shield Muffler	1	
6	LA C000 09	Bolt Socket	1	
7	DD 1610 71	U-Nut M10x1.25	1	
8	39 2425 11	Plain Washer	2	
9	JZ 1130 42	Damper Silencer	1	
10	DJ 1612 78	Tube Silencer With Washer	1	
11	JE 5912 80	Gasket Exhaust	1	Ref.Cir.IB-360



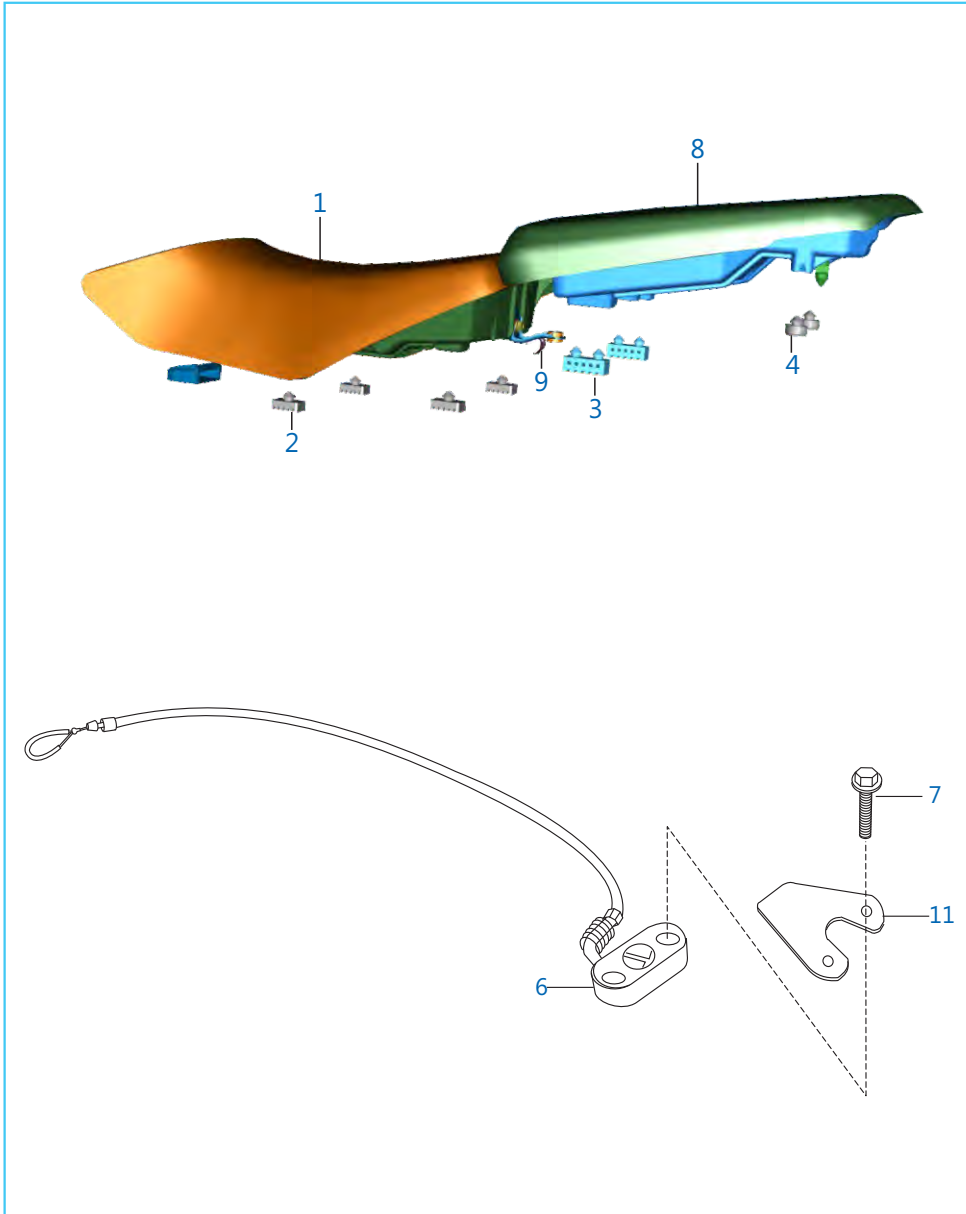
### Starter Assembly

No.	Part No.	Description	Qty.	Remarks
1	JH 3516 02	Motor Assembly Starter	1	
2	KA ED06 25	Bolt Flanged M6x1x20	2	
3	JH 6214 07	Gear Drive Starter Clutch	1	
4	JH 5410 21	Bracket Gear Stopper	1	
5	DH 1013 80	Screw Pan Head	1	
6	JH 6214 00	Gear Starter Clutch	1	
7	JE 6214 03	Needle Roller Bearing	1	
8	GL 6214 14	One Way Clutch	1	
9	PA 3510 27	Assembly Rotor	1	
10	LA C000 52	Bolt Socket	3	
11	JE 3510 33	Stator Assembly	1	
12	DH 1013 80	Screw Pan Cross	2	
13	KB BC06 08	Screw Pan	1	
14	JH 5412 07	Bracket Cable Stator	1	



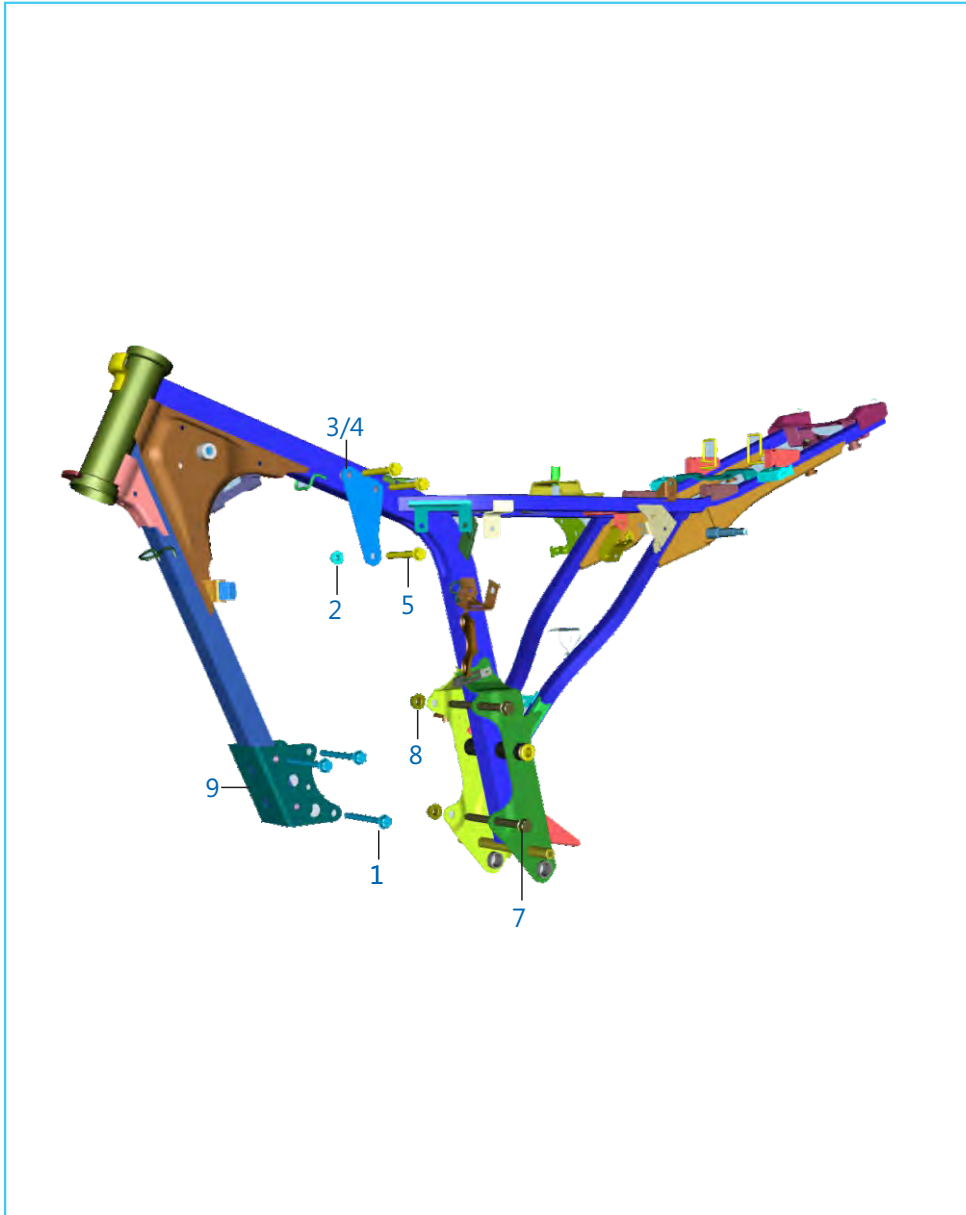
### Magneto, CDI & H.T. Coil

No.	Part No.	Description	Qty.	Remarks
1	JE 3512 03	H. T. Coil With Cable & Cap - LH	1	
2	JE 3512 04	H. T. Coil With Cable & Cap - RH	1	
3	CF 1110 19	Spark Plug	2	
4	DD 1110 48	Cap Spark Plug - LH	1	
4a	DH 1110 15	Cap Spark Plug - RH	1	
5	DD 1110 11	Grommet Spark Plug Cap	1	
6	JD 3512 06	Grommet Sleeve Spark Plug Cap	1	
7	DD 1110 12	Grommet for HT Cable	2	
8	DH 1110 13	Grommet Spark Plug	1	
9	KA DF06 20	Bolt Flanged	4	
10	JW 4020 01	DC Regulator with Capacitor	1	
11	39 1943 04	Bolt Flanged	2	
12	JE 3512 57	CDI	1	



Seat Assembly / Seat Lock

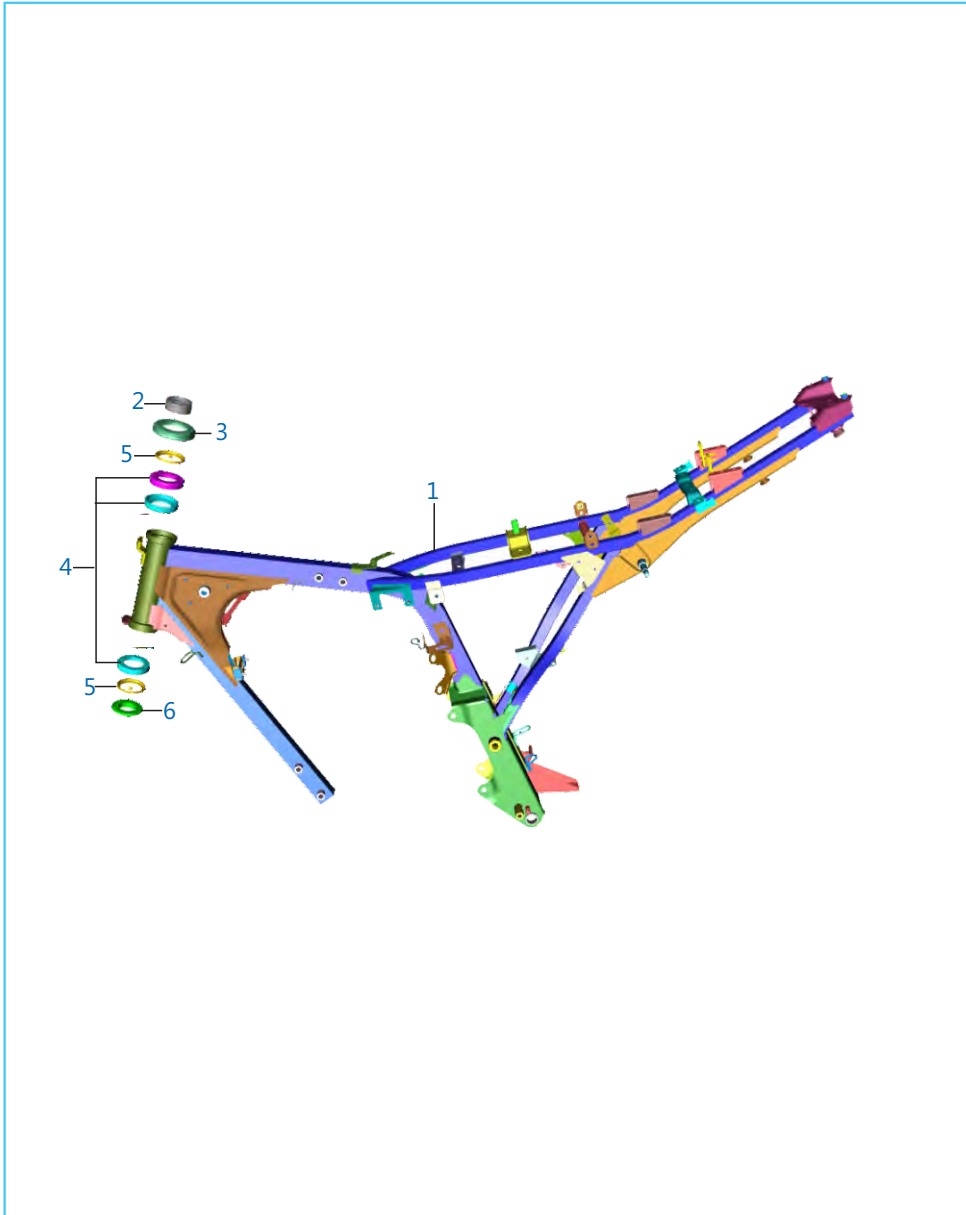
No.	Part No.	Description	Qty.	Remarks
1	JD 1910 12	Seat Assembly Complete Front	1	
2	DK 2110 09	Damper For Seat	4	
3	JZ 1910 11	Damper Seat I	2	
4	JD 1910 06	Damper Round	2	
5	JD 1910 21	Damper	1	
6	DK 2110 08	Lock Assembly Seat	1	
7	39 1902 04	Bolt Flange	2	
8	JD 1910 03	Seat Assy Comp Rear	1	
9	JD 1138 07	Bracket Rider Seat Mtg	1	
10	KA DA06 18	Bolt Flanged	1	N.I.
11	DH 1612 33	Reinf. Seat Lock	1	



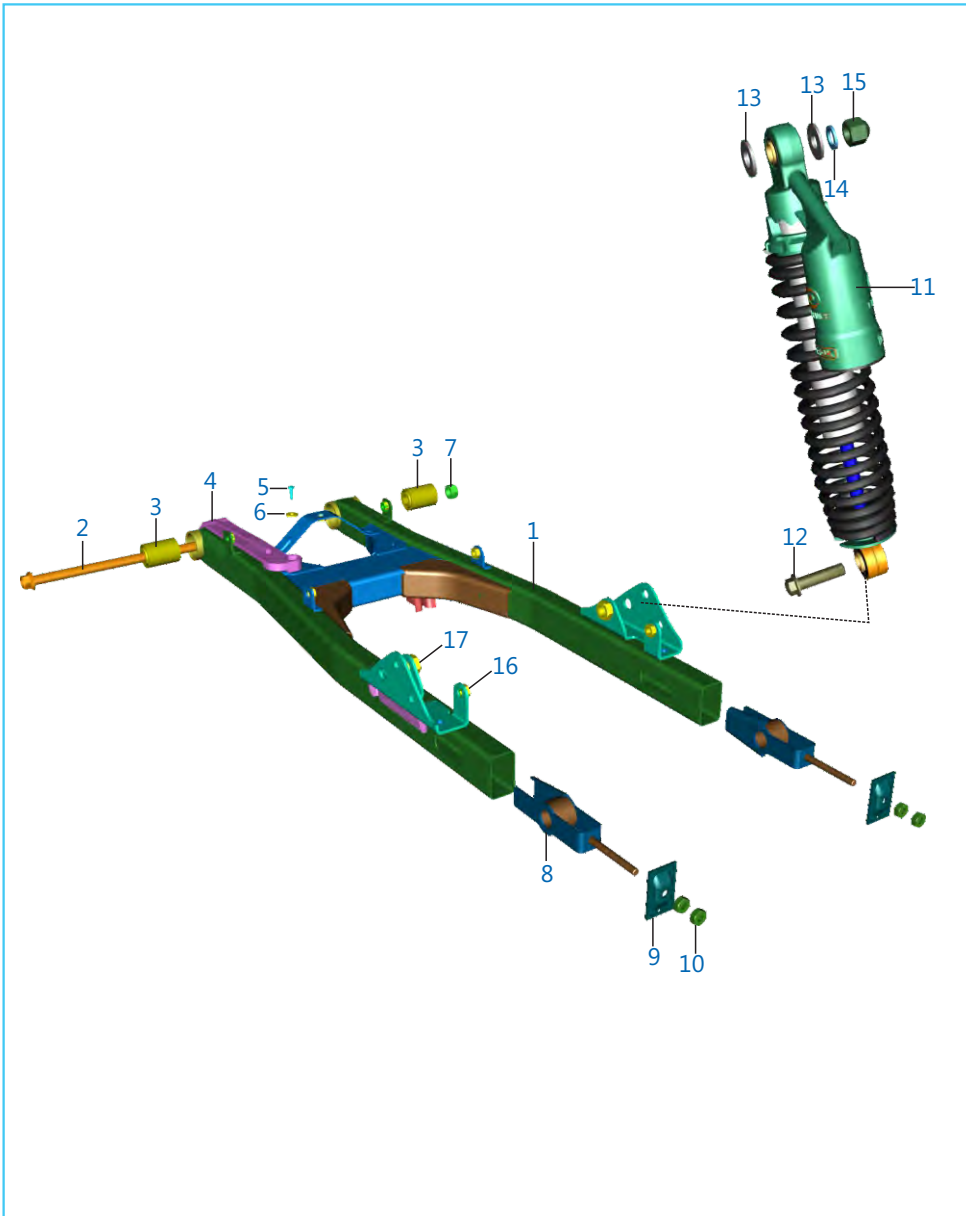
### Engine Mountings

No.	Part No.	Description	Qty.	Remarks
1	JA 1134 04	Bolt Flanged	3	
2	39 1970 15	Nut Flanged	7	
3	JD 1134 01	Bracket Engine Mtg Front	1	
4	JD 1134 00	Bracket Engine Hanger	1	
5	39 2312 04	Bolt Flanged	3	
6	JA 1134 03	Engine Mounting Rear Bolt Top	2	
7	JA 1134 03	Flange Bolt M10×10	2	
8	39 1225 15	Flanged Nut	2	
9	JD 1134 01	Bracket Engine Mtg Front	1	
10	DH 1611 33	Grommet Side/c Rear	2	N.I.

Frame and Frame Fittings



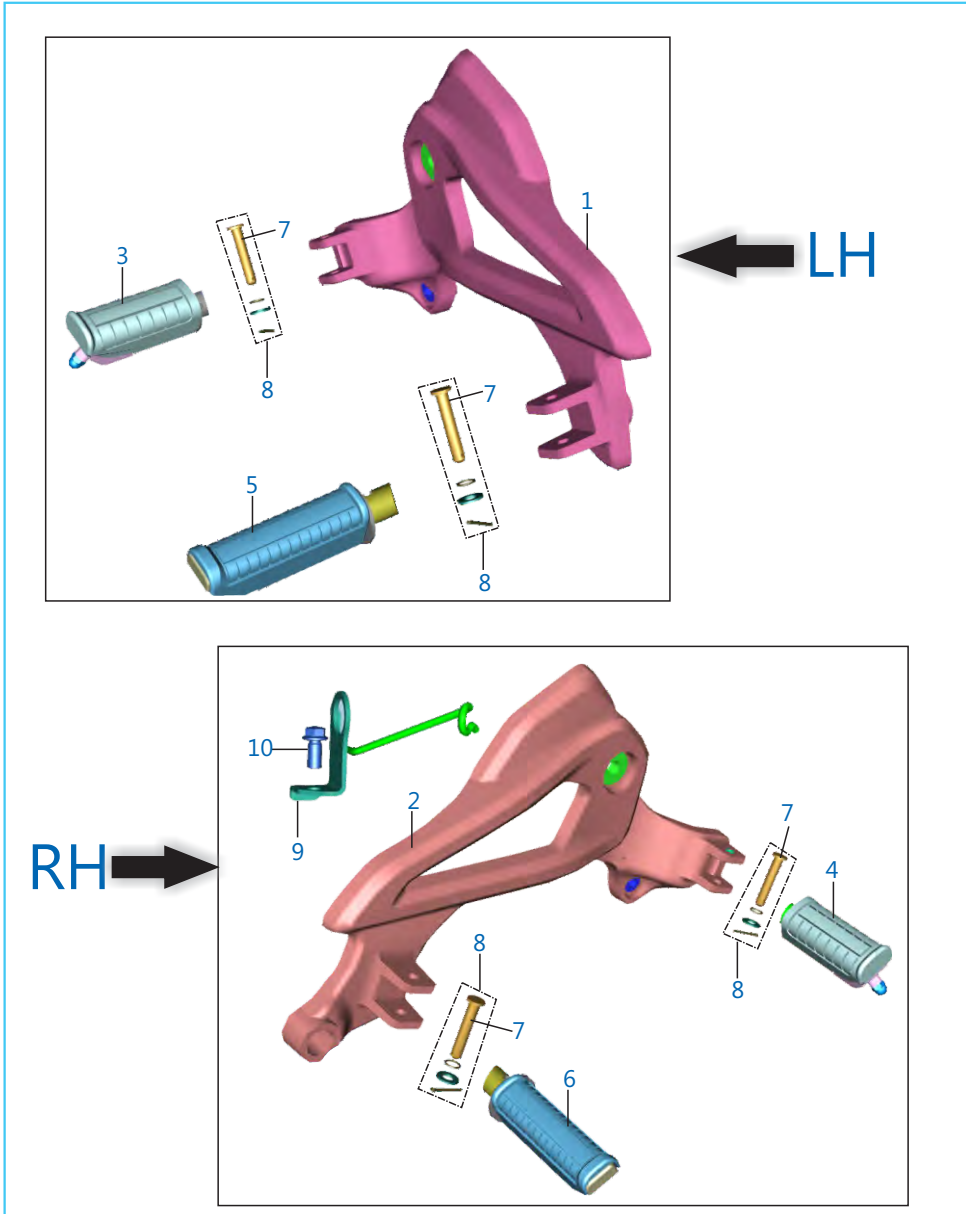
No.	Part No.	Description	Qty.	Remarks
1	JD 1111 06	Frame Assembly	1	
2	30 1810 11	Nut Fork	1	
3	DH 1810 14	Cup - Steering	1	
4	36 DS18 02	Bearing Cone Kit	1	
5	DJ 1811 15	Ball Steel Cage Bearing	2	
6	DH 1810 25	Bearing Cone	1	



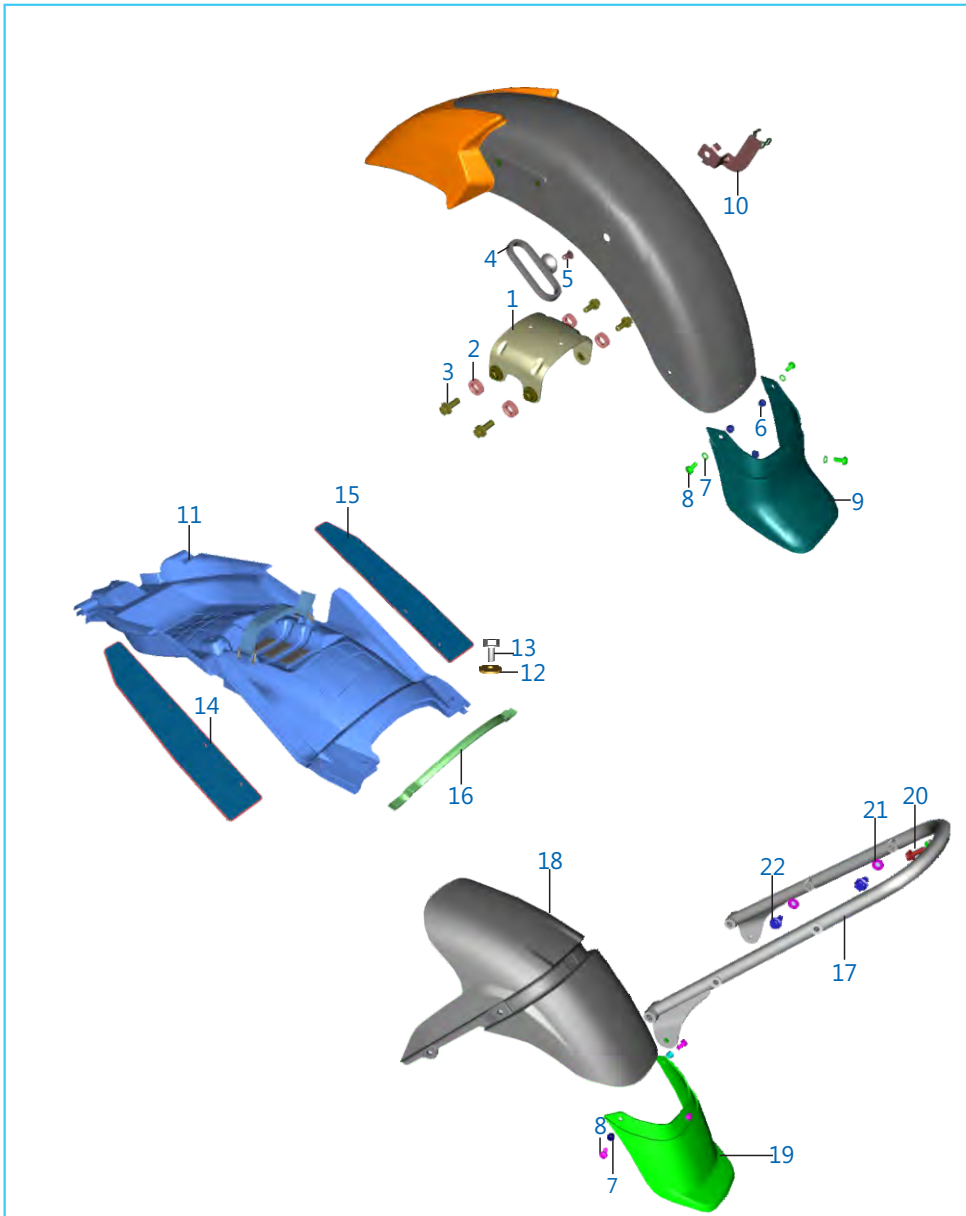
### Swing Arm / Rear Shock Absorber

No.	Part No.	Description	Qty.	Remarks
1	JD 1220 20	Assembly Swing Arm	1	
2	JD 1220 02	Shaft Swing Arm	1	
3	DP 1710 06	Silent Bush	2	
4	JD 1220 13	Chain Slider	1	
5	KB RC35 13	Screw	2	
6	39 0454 11	Plain Washer	2	
7	39 1336 15	U Nut M-12	1	
8	DJ 1510 37	Adjuster Chain	2	
9	DJ 1510 47	Plate Chain Adjuster	2	
10	39 0292 15	Hexagon Nut	4	
11	JD 1220 03	Rear Shock Absorber	2	
12	JB 1220 16	Hex. Bolt Flange - M10	2	
13	JB 1220 10	Plain Washer	4	
14	39 2726 12	Spring Washer	2	
15	39 2366 15	Domed Cap Nut	2	
16	LA D000 45	Hexagon Bolt With Flange	2	
17	LA D000 51	Bolt Hex With Flange M8x1.25	2	

Pillion Foot Rest / Holder

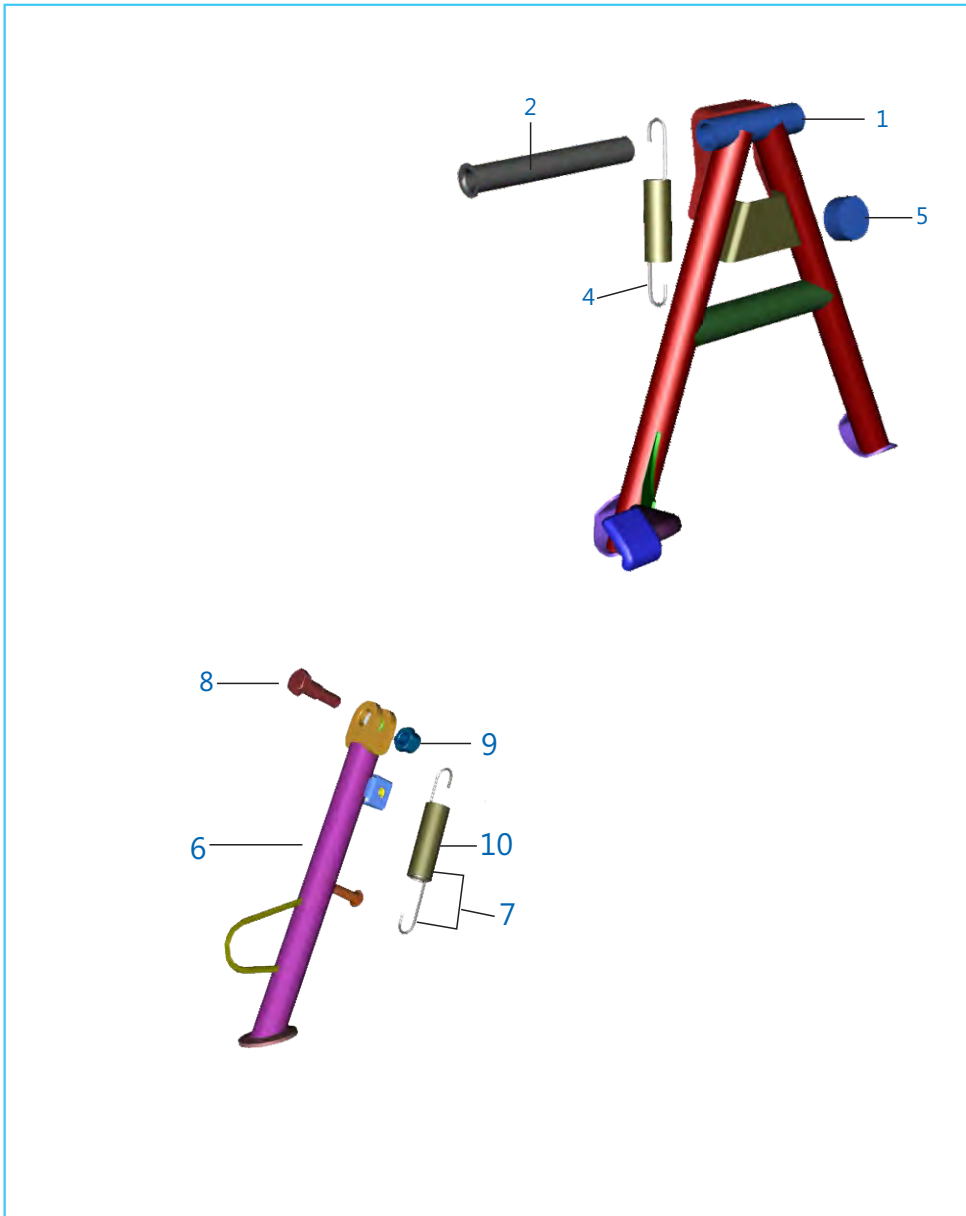


No.	Part No.	Description	Qty.	Remarks
1	56 JD3X 1Y	Holder LH Step	1	
2	56 JD5H 1Y	Holder RH Step	1	
3	JD 1130 31	Assly Main Step LH	1	
4	JD 1130 32	Assly Main Step RH	1	
5	JZ 1130 62	Assembly Pillion Step LH	1	
6	JZ 1130 68	Assembly Pillion Step RH	1	
7	DH 1610 61	Pin Pillion Step	4	
8	36 DK00 13	Hardware Kit - Pillion Step	2	
9	JD 1610 14	Bracket Switch Brake Rear	1	
10	KA ED06 12	Bolt	1	



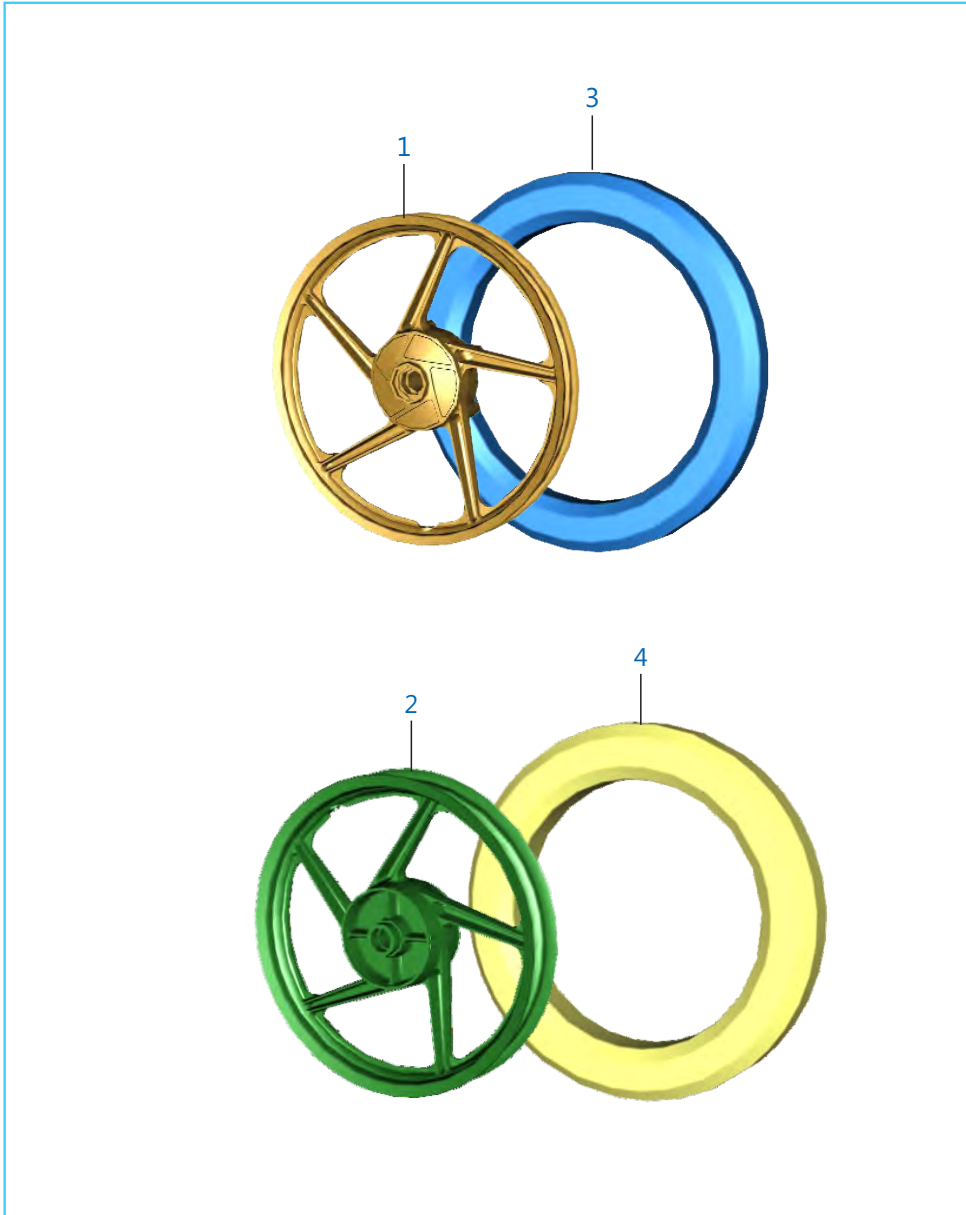
### Mudguard - Front & Rear

No.	Part No.	Description	Qty.	Remarks
1	JD 1814 01	Brace Fender	1	
2	DJ 1610 91	Grommet Front Fender	4	
3	DG 1810 08	Socket Bolt	4	
4	DS 1611 25	Cable Guide	1	
5	DJ 1610 69	Nail for Cable Guide	1	
6	39 0326 15	Nyloc Nut	6	
7	39 0242 11	Washer	6	
8	39 1698 01	Screw	6	
9	JD 1814 02	Flap Front fender	1	
10	JD 1318 09	Hose Clamp	1	
11	JD 1814 12	Fender Rear EVAP	1	
12	39 0211 11	Washer Plain	7	
13	39 1943 04	Flange Bolt	4	
14	JD 1810 00	Flap Rubber LH	1	
15	JD 1810 01	Flap Rubber RH	1	
16	JD 1810 02	Foam Strip	1	
17	JD 1810 06	Tube Hugger Mounting	1	
18	JD 1814 08	Cover Mud Rear	1	
19	JD 1814 09	Flap Mud Rear	1	
20	39 2060 04	Bolt M-6 Hugger Mounting	2	
21	39 0219 11	Washer Plain	4	
22	KA DD06 12	Bolt Flanged	4	



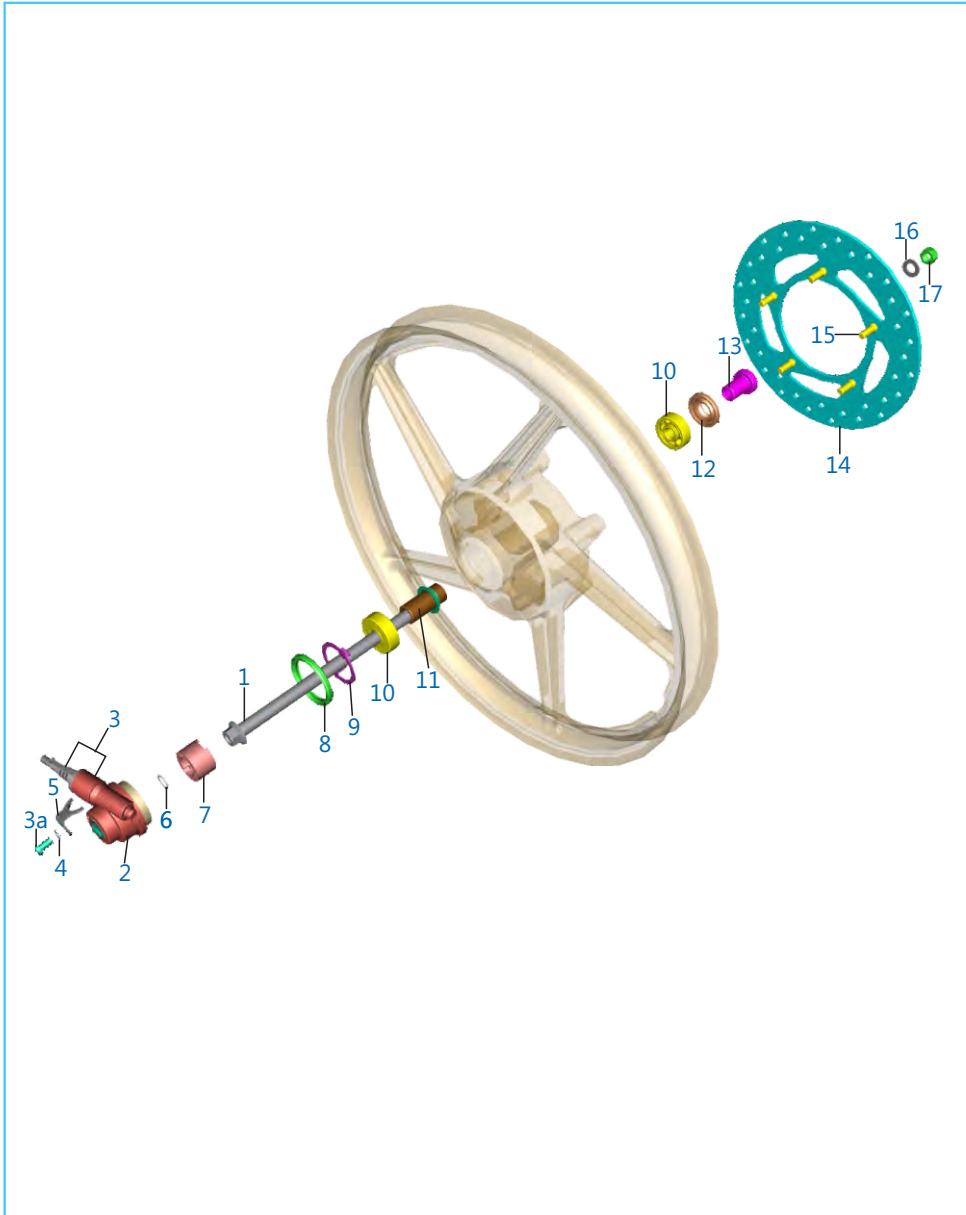
### Stand Assembly

No.	Part No.	Description	Qty.	Remarks
1	JD 1132 07	Center Stand	1	
2	JA 1132 01	Shaft Stand	1	
3	KH AA32 30	Pin Cotter	1	N.I.
4	JD 1132 09	Spring Main Stand	1	
5	PA 1132 04	Damper Main Stand	1	
6	JD 1132 08	Stand Side	1	
7	DH 1612 40	Spring Side Stand with Cover	1	
8	DF 1611 02	Bolt	1	
9	39 0422 15	Nut	1	
10	DH 1611 46	Cover Side Stand Spring	1	
11	DH 1610 66	Spring Side Stand	1	N.I.



Tube / Tyre / Rim

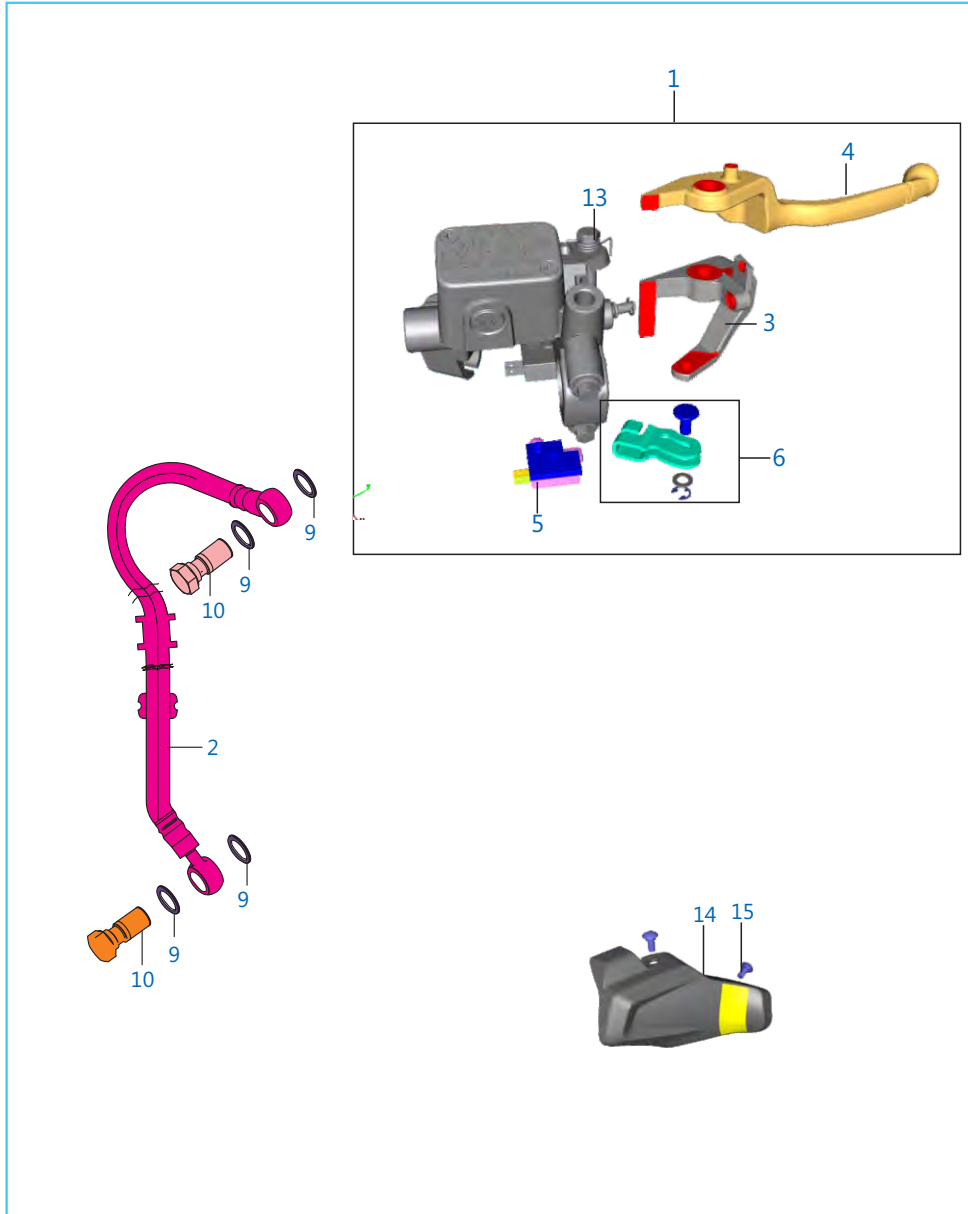
No.	Part No.	Description	Qty.	Remarks
1	JZ 1310 12	Wheel Rim Front	1	
2	JZ 1312 06	Wheel Rim Rear	1	
3	DS 1510 47	Tyre with Tube Front	1	
4	DS 1510 30	Tyre With Tube Rear	1	



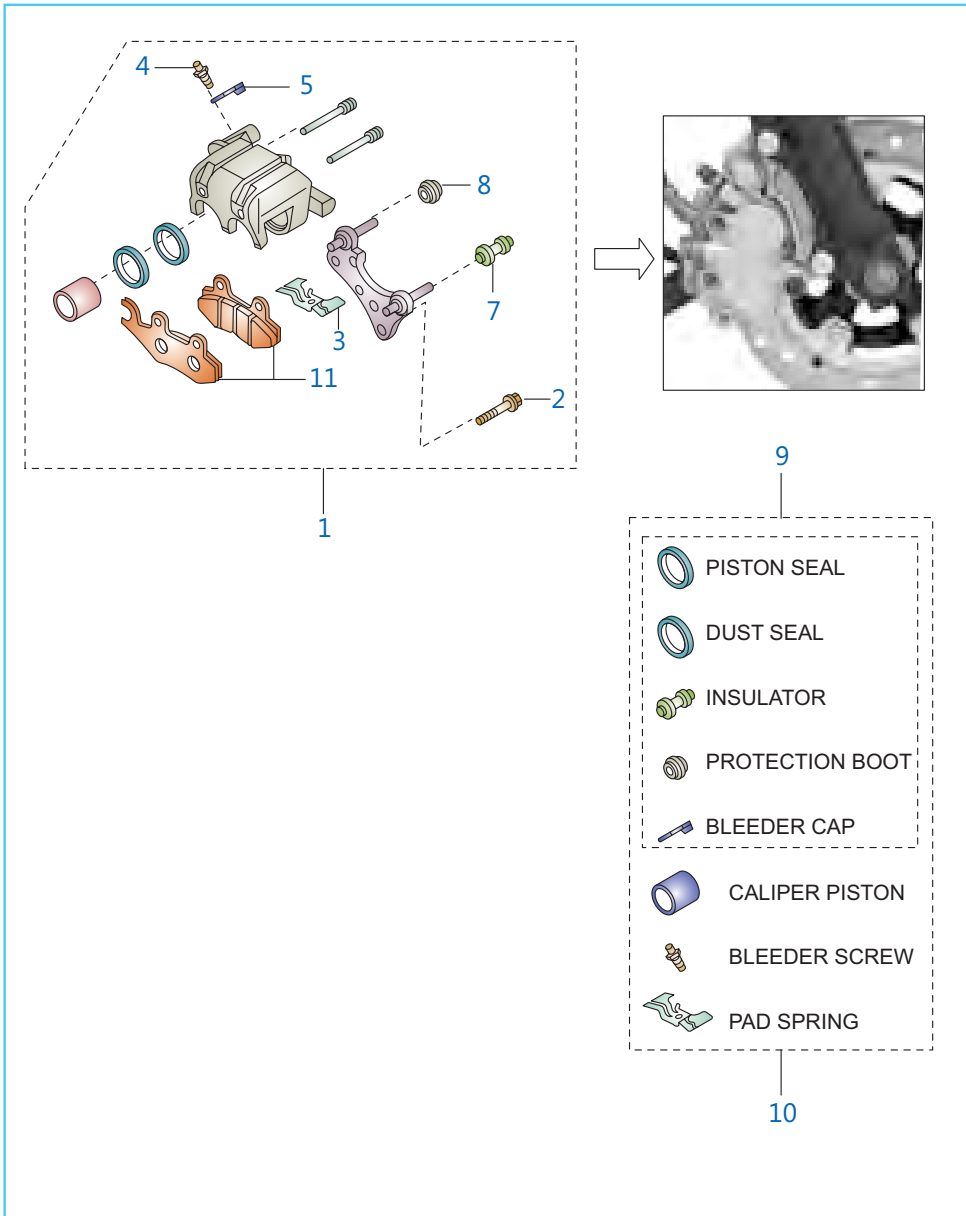
Front Hub

No.	Part No.	Description	Qty.	Remarks
1	JB 1310 17	Axle Front	1	
2	DH 2010 81	Case Meter Assembly	1	
3	DH 2010 79	Sensor Speed-assy	1	
3a	KB BA04 08	Screw Pan Cross	1	
4	39 0900 12	Washer Spring	1	
5	30 1511 18	Stopper for Bushing	1	
6	59 2100 19	'O' Ring	1	
7	DJ 1510 94	Rotor Speedo (Disc)	1	
8	DE 1510 08	Seal Oil	1	
9	DE 1510 12	Plate Drive	1	
10	KP BB63 01	Bearing Ball	2	
11	DE 1510 06	Spacer Assembly	1	
12	30 1510 33	Seal Oil	1	
13	DS 1510 58	Spacer	1	
14	JD 1318 16	Disc (240 mm Dia)	1	
15	JD 1318 11	Hex. Soc. Head Bolt	5	
16	JB 1310 18	Plain Washer	1	
17	59 1500 03	'U' Nut M12	1	

Front Master Cylinder

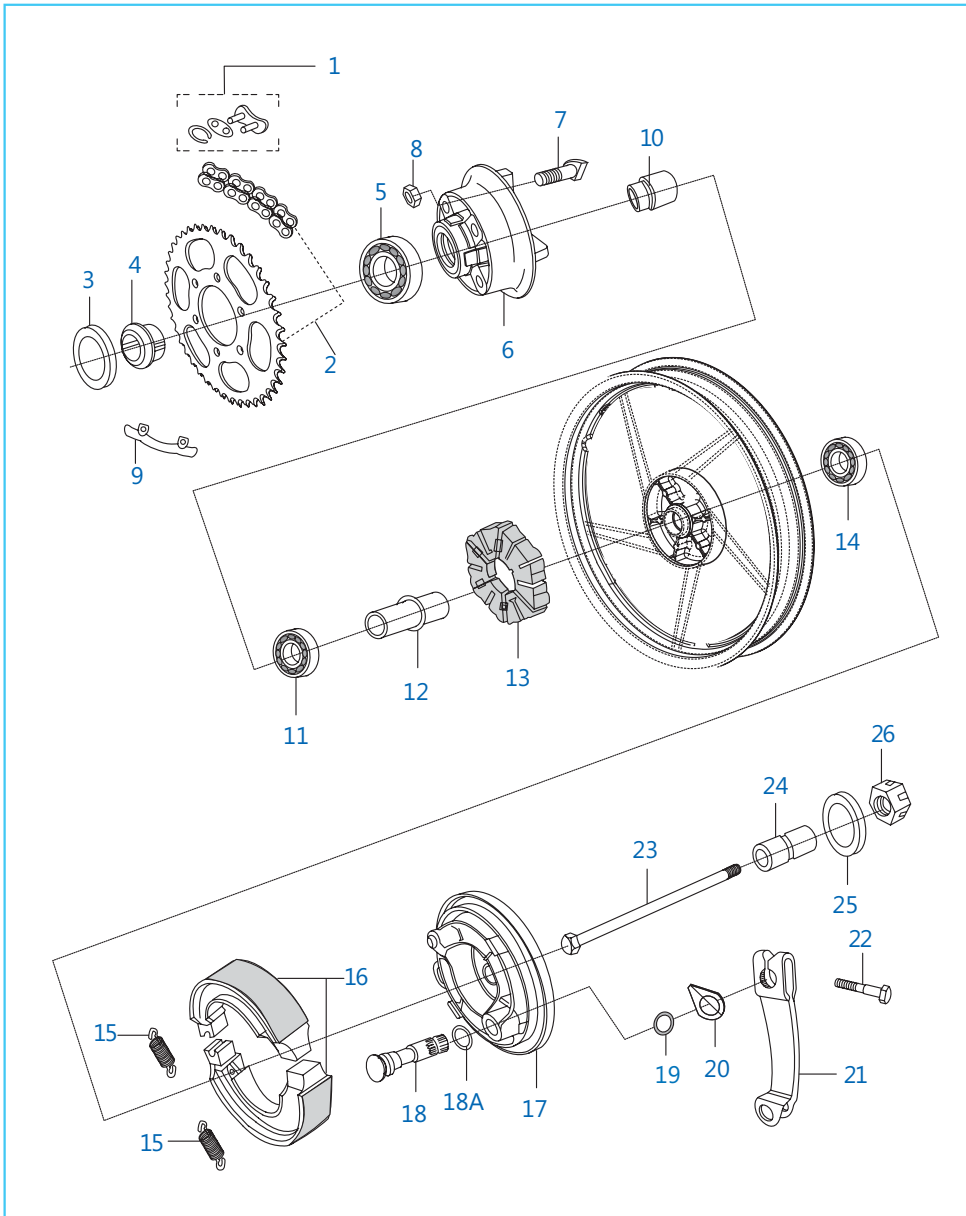


No.	Part No.	Description	Qty.	Remarks
1	JH 1318 50	Front Brake CBS Master Cylinder Assly	1	
2	JD 1318 08	Hose Assembly	1	
3	JH 1610 31	Lever Brake Front	1	
4	JH 1610 32	Lever Main Brake Front	1	
5	DJ 2011 09	Front Brake Switch(minda)	1	
6	36 JD00 92	CBS Link Kit	1	
7	36 JD00 91	CBS Lever Spring Kit	1	N.I.
8	36 JD00 93	CBS Fastening Cap Kit	1	N.I.
9	DJ 1910 26	Copper Washer	4	
10	DJ 1910 25	Banjo Bolt	2	
13	JH 1318 91	Spring	1	
14	JD 1812 55	Cover Lever Brake	1	
15	LB U000 73	Screw	2	



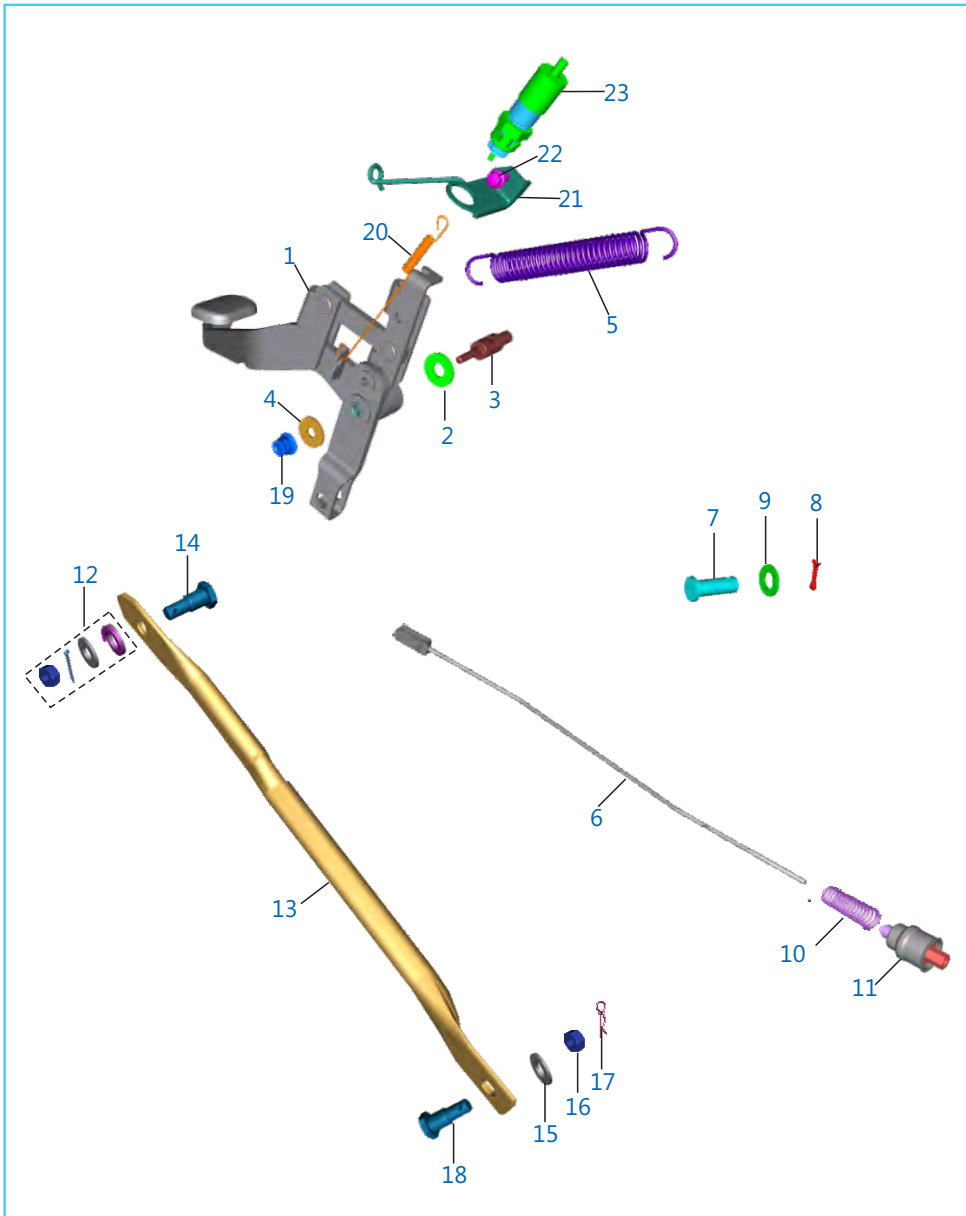
### Front Disc Brake

No.	Part No.	Description	Qty.	Remarks
1	JF 1318 06	Caliper Assly. Front	1	
2	DH 1510 39	Bolt Flanged	2	
3	DE 1510 48	Spring Pad	1	
4	DE 1510 46	Bleeder Screw	1	
5	DE 1510 47	Bleeder Cap	1	
6	DE 1510 37	Disc Pad Set	1	
7	DE 1510 43	Insulator	1	
8	DJ 1510 73	Protection Boot	1	
9	DJ 1510 74	Minor Kit - Caliper	1	
10	DJ 1510 75	Major Kit - Caliper	1	
11	JW 1318 07	Brake Pad Set	1	



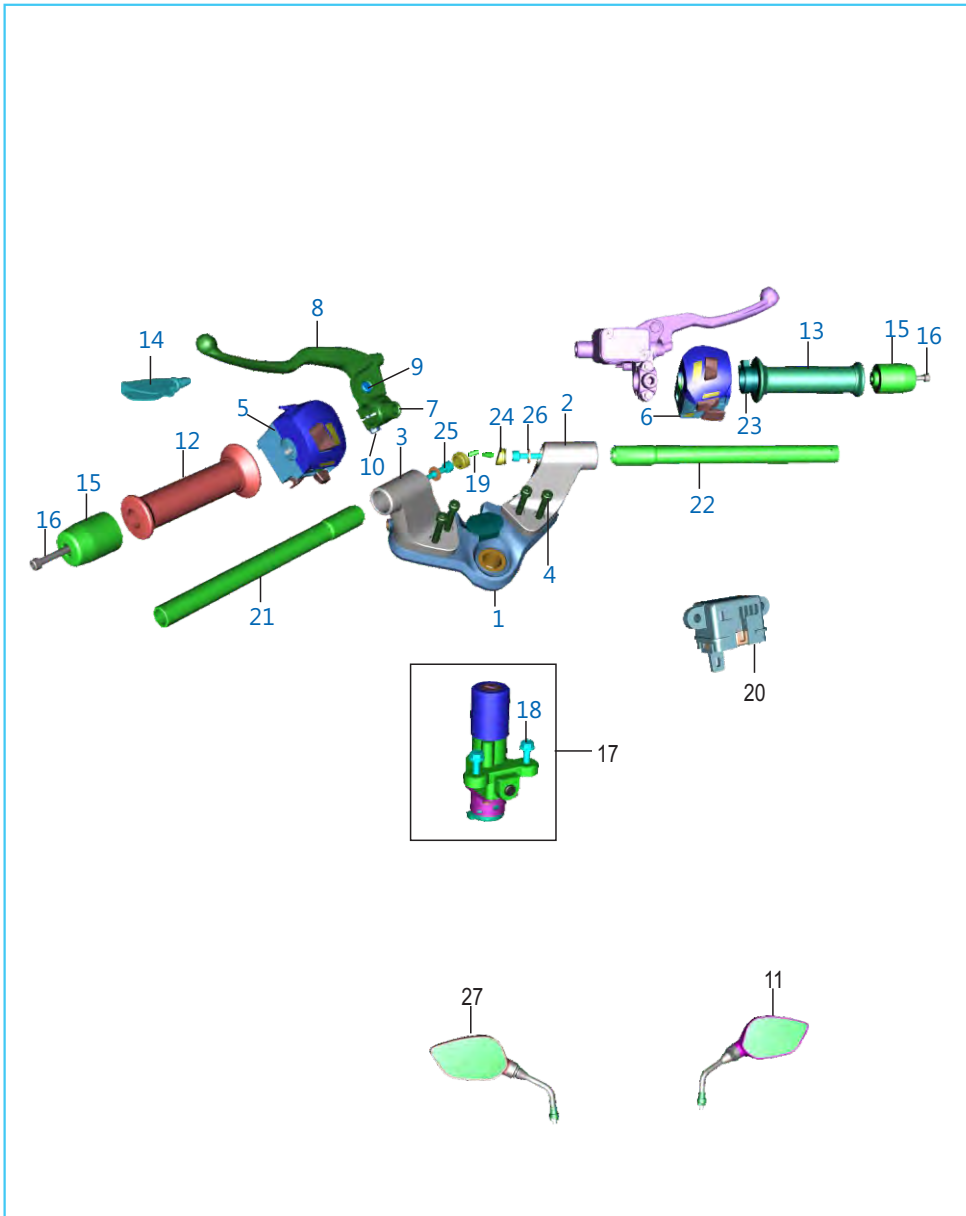
### Rear Hub

No.	Part No.	Description	Qty.	Remarks
1	JD 1410 03	Drive Chain Lock	1	
2	36 JD01 09	Chain Sprocket kit	1	
3	LD B000 01	Plain washer	1	
4	JD 1312 15	Collar Assembly	1	
5	KP BC60 04	Bearing ball	1	
6	JN 1312 03	Coupling	1	
7	DS 1510 73	Stud M - 10	4	
8	LC B000 05	Nut Hex A/F 17 M10x1.25x6H	4	
9	PF 1312 20	Washer Lock For Nut	2	
10	JD 1312 15	Collar Assembly	1	
11	39 2686 20	Bearing Ball	1	
12	30 1510 75	Collar Bearing	1	
13	JG 1312 19	Coupling Rubber	1	
14	39 2687 20	Bearing Ball	1	
15	30 1510 69	Spring	2	
16	JN 1318 12	Brake Shoe Kit	1	Non Asbestos
17	JZ 1318 13	Panel Rear Brake	1	
18	30 1510 11	Cam Brake	1	
18a	39 0722 11	Plain Washer	1	
19	30 1510 38	Ring 'O'	1	
20	30 1510 05	Indicator	1	
21	JD 1318 22	Lever Cam Brake Rear	1	
22	JB 1312 24	Hex Bolt	1	
23	JD 1312 18	Axle Rear	1	
24	JD 1312 12	Sleeve	1	
25	39 2566 11	Plain washer	1	
26	DH 1710 19	'U' nut Swing Arm	1	



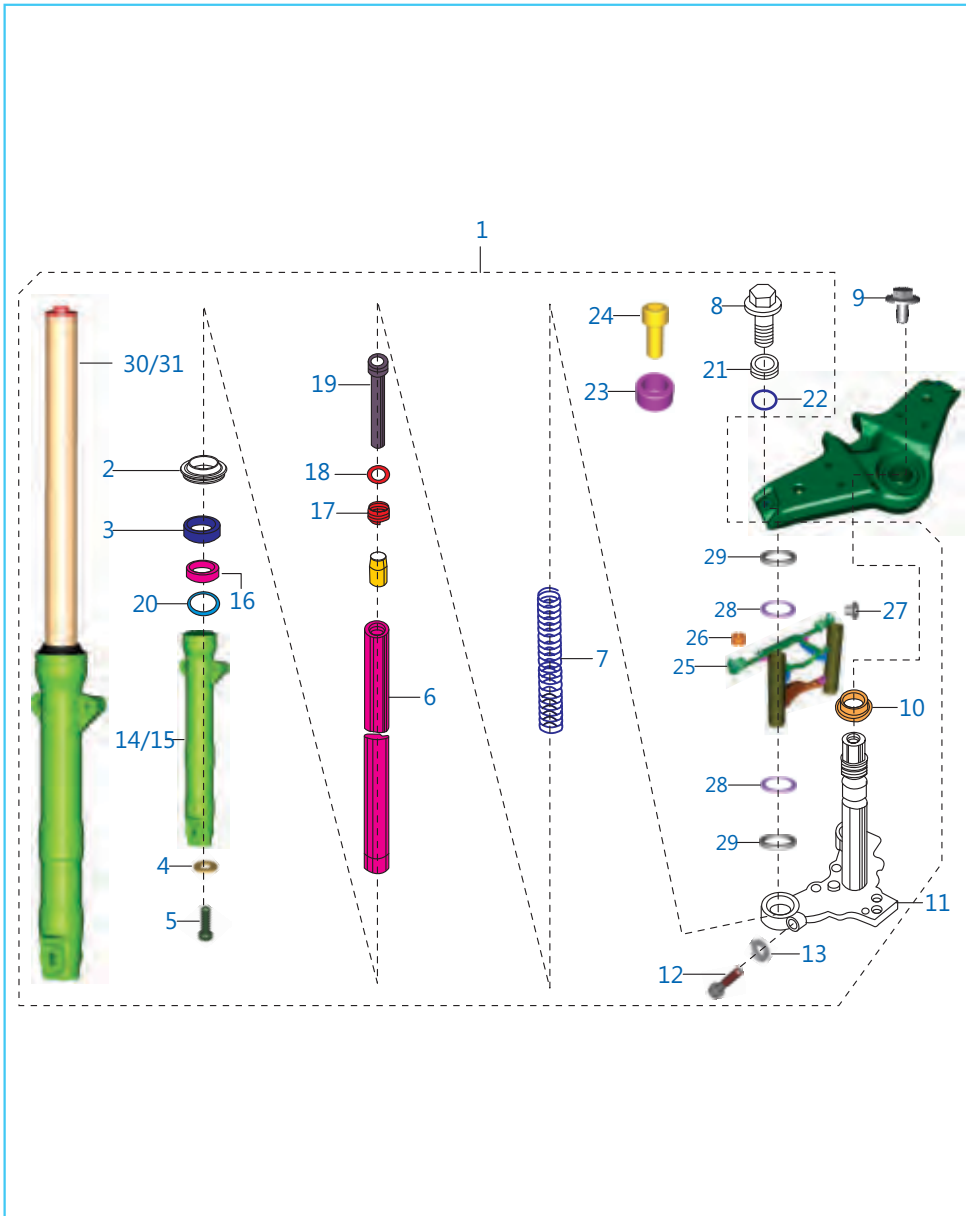
### Rear Brake Pedal

No.	Part No.	Description	Qty.	Remarks
1	JD 1610 12	Assembly Pedal Brake	1	
2	LD B000 56	Plain Washer	1	
3	JD 1610 15	Pivot Pedal Brake	1	
4	39 0211 11	Washer - Plain	2	
5	JD 1610 02	Brake Pedal Spring	1	
6	JD 1610 11	Rod Brake	1	
7	30 1910 38	Pin	1	
8	KH AA20 15	Pin Snap	1	
9	39 0198 11	Washer Plain	1	
10	30 1910 35	Spring	1	
11	JH 1610 35	Assembly Force Distribution	1	
12	36 DK00 18	Torque Rod Hardware Kit	1	
13	JD 1220 04	Rod Torque	1	
14	JA 1210 05	Step Bolt Trq Rod	1	
15	39 0789 12	Spring Washer	1	
16	39 0794 15	Nut Hex. Lock	1	
17	39 0807 08	Pin Snap	1	
18	30 1510 95	Hex Bolt	1	
19	LC K000 01	Nut Nyloc Flanged	1	
20	JD 1610 16	Spring Switch Brake Rear	1	
21	JD 1610 14	Bracket Switch Brake Rear	1	
22	KA ED06 12	Bolt-flange	1	
23	31 2010 79	Switch - Rear Brake	1	



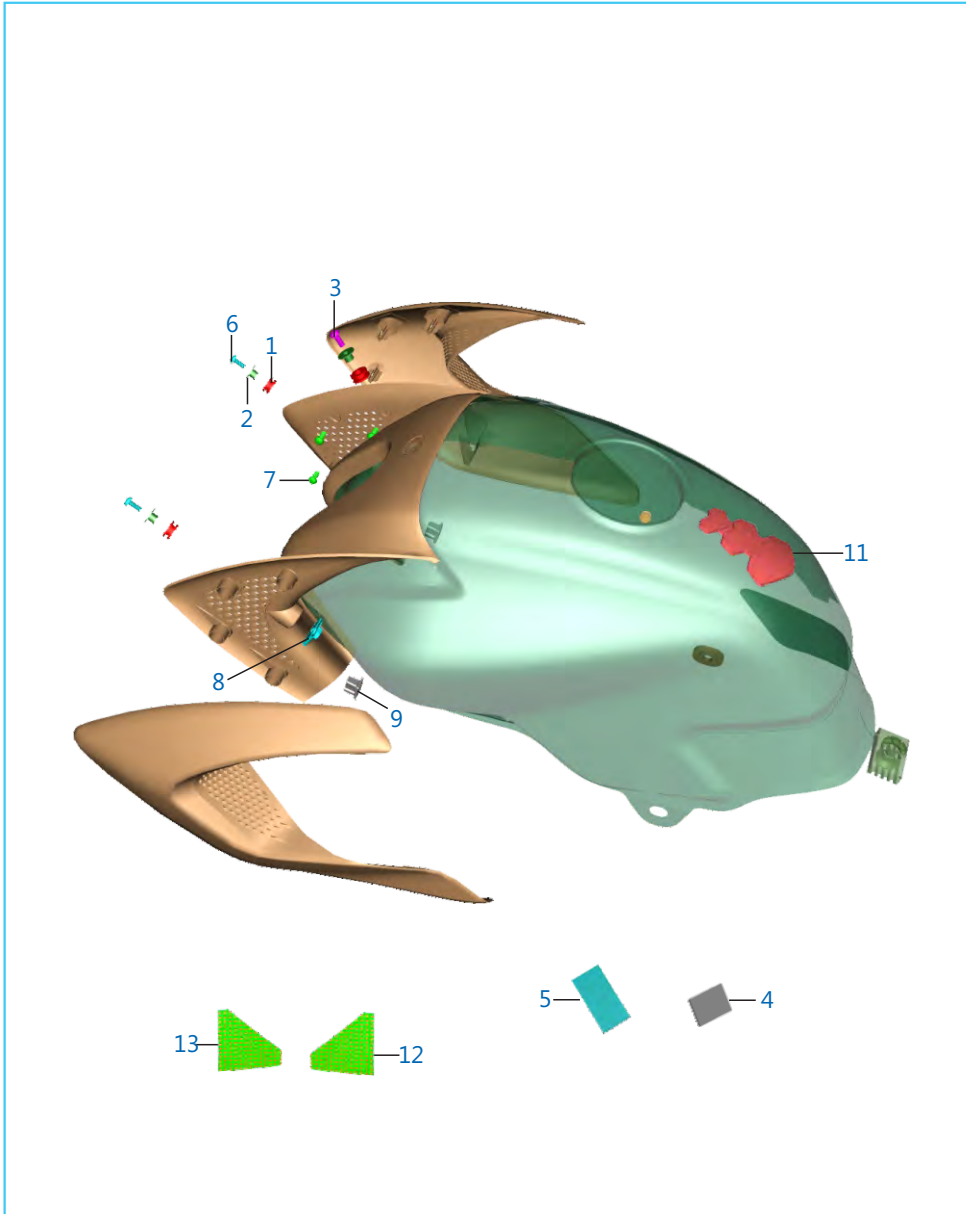
### Handle Bar Assembly

No.	Part No.	Description	Qty.	Remarks
1	56 JD33 Y9	Upper Bracket Sprint Matte Black	1	
2	JD 1510 52	Holder Handle RH	1	
3	JD 1510 51	Holder Handle LH	1	
4	DG 1810 08	Socket Bolt	4	
5	JF 4014 00	Control Switch LH	1	
6	JD 4014 00	Control Switch RH	1	
7	PF 1610 10	Holder Lever LH	1	
8	PF 1610 15	Lever Clutch	1	
9	JZ 1610 28	Lever Pivot Bolt	1	
10	39 1184 15	Nut - Nyloc :- M5 X 0.8	1	
11	JD 2316 01	Mirror Assly RH	1	
12	DH 1910 07	Hand Grip LH	1	
13	DH 1910 08	Hand Grip RH	1	
14	DS 1910 52	Boot for lever	1	
15	DK 1810 43	Handle bar weight	2	
16	39 2427 04	Hex. Soc. Hd. Cap Screw	2	
17	DH 1811 19	Lock Set 3 In 1	1	
18	39 1943 04	Flange Bolt	2	
19	DK 1810 83	Bush Silent Handle Bar Tube	2	
20	DJ 2012 46	Switch Clutch	1	
21	JD 1510 45	Handle bar tube assly. LH	1	
22	JD 1510 48	Handle bar tube assly. RH	1	
23	DH 1910 17	Pipe throttle	1	
24	JD 1510 32	Rubber Plug	2	
25	LA C000 20	Bolt	2	
26	39 1180 11	Washer	2	
27	JD 2316 00	Mirror Assly LH	1	



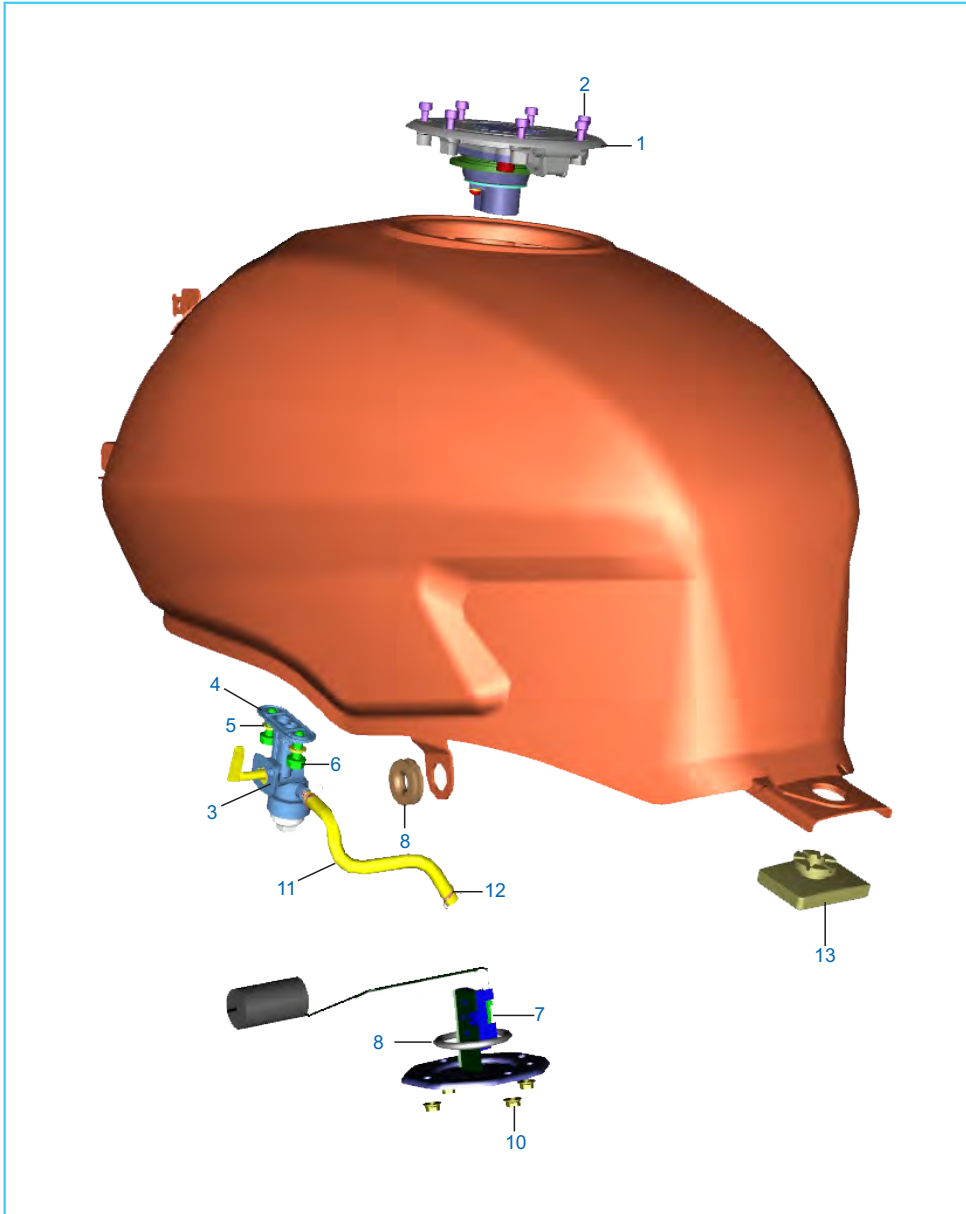
### Front Fork

No.	Part No.	Description	Qty.	Remarks
1	JD 1510 55	Assly Fork Front	1	
2	31 1811 08	Ring -snap	2	
3	DU 181108	Oil Seal - Dia 30 Sfn	2	
4	30 1810 26	Gasket	2	
5	KA Cf08 30	Bolt Socket Head	2	
6	JD 1510 26	Fork Inner Pipe	2	
7	DJ 1811 04	Spring Front Fork	2	
8	LA C000 09	Bolt Socket (upper bkt)	2	
9	59 0400 06	Hex Head Bolt	1	
10	36 DS18 02	Bearing Cone Kit	1	
11	JD 1510 29	Under Bracket Assembly	1	
12	39 1181 01	Bolt Hexagon Head	2	
13	DM 1810 10	Washer	2	
14	JD 1510 03	Outer Tube LH with Guide Bush	1	
15	JD 1510 04	Outer Tube RH	1	
16	JK 1210 07	Anti Friction Bush	2	
17	30 1810 29	RING - O	2	
18	DM 1810 10	Washer	2	
19	JD 1510 27	Spacer tube	2	
20	JK 1210 09	Washer Anti Friction Bush	2	
21	JD 1510 28	Bolt Fork	2	
22	30 1810 29	'O' Ring	2	
23	JD 1510 36	Cup Washer	2	
24	LA C000 09	Bolt Socket M10	2	
25	JD 1510 06	Lamp Shade Assembly	1	
26	DJ 1810 64	Grommet Head Lamp Mounting	1	
27	DJ 1810 29	Collar Head Lamp Mounting	4	
28	DJ 1810 52	Cover Trail 'B'	4	
29	DJ 1810 85	Cushion Rubber	4	
30	JD 1510 01	Leg Assembly LH	1	
31	JD 1510 02	Leg Assembly RH	1	



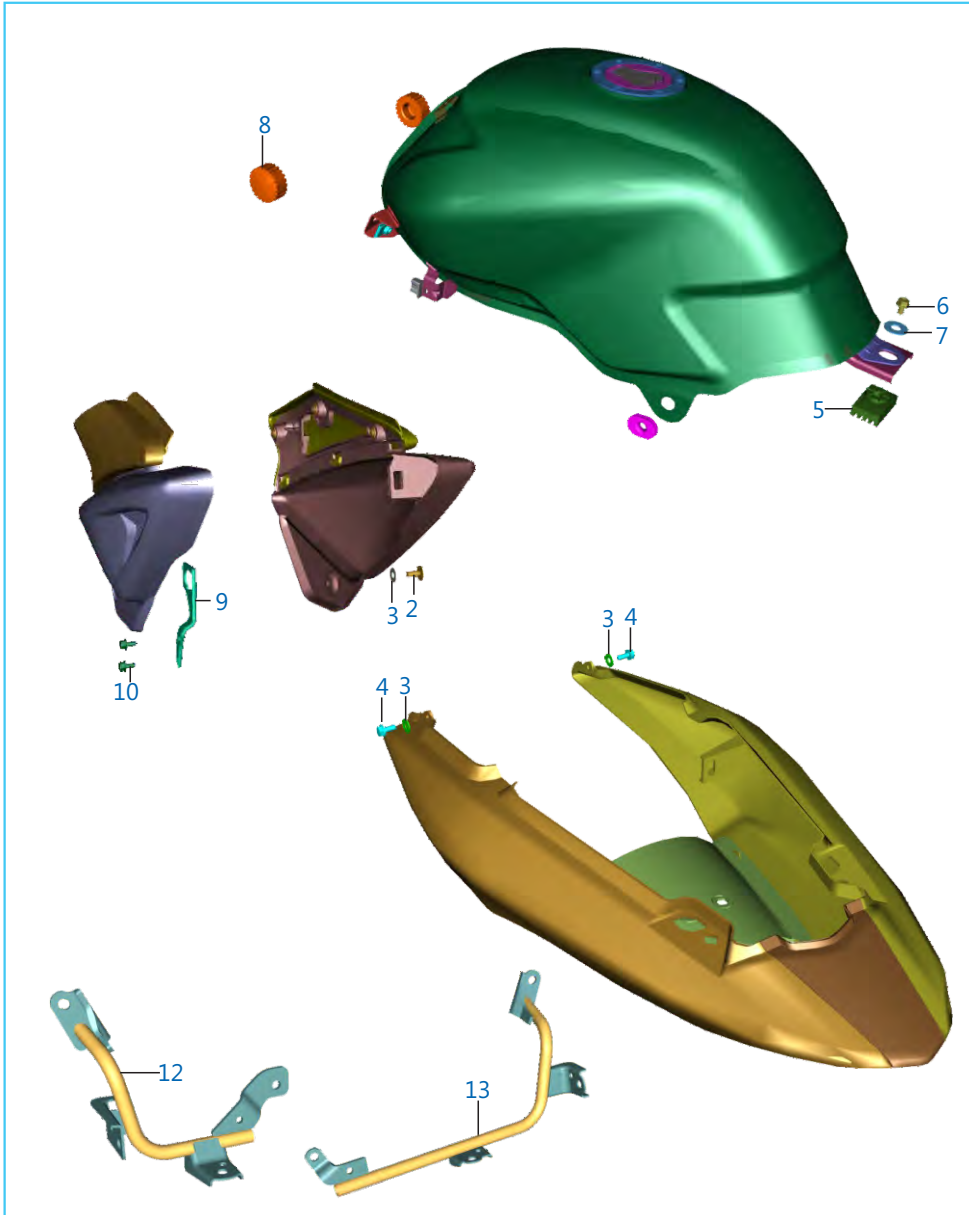
### Petrol Tank Spoiler

No.	Part No.	Description	Qty.	Remarks
1	JW 1710 14	Grommet Central Spoiler	3	
2	JW 1710 15	Collar Spoiler	3	
3	JD 1710 16	Round Head Screw	1	
4	JW 1710 07	Dual lock Tape 15x20	4	
5	JD 1710 18	Dual Lock Tape 10x20	8	
6	JW 1710 16	Screw	2	
7	59 0200 01	Screw	8	
8	JC 1410 17	Grommet Tank Cover	2	
9	JW 1710 06	Clip Nut on Tank Bracket	2	
10	JD 1710 38	Seat Tape	1	N.I.
11	DK 1410 15	Tank - Pad	1	
12	JD 1710 49	Dual Lock Tank Spoiler Upper	1	
13	JD 1710 50	Dual Lock Tank Spoiler Upper RH	1	



### Cap Tank and Gauge Fuel

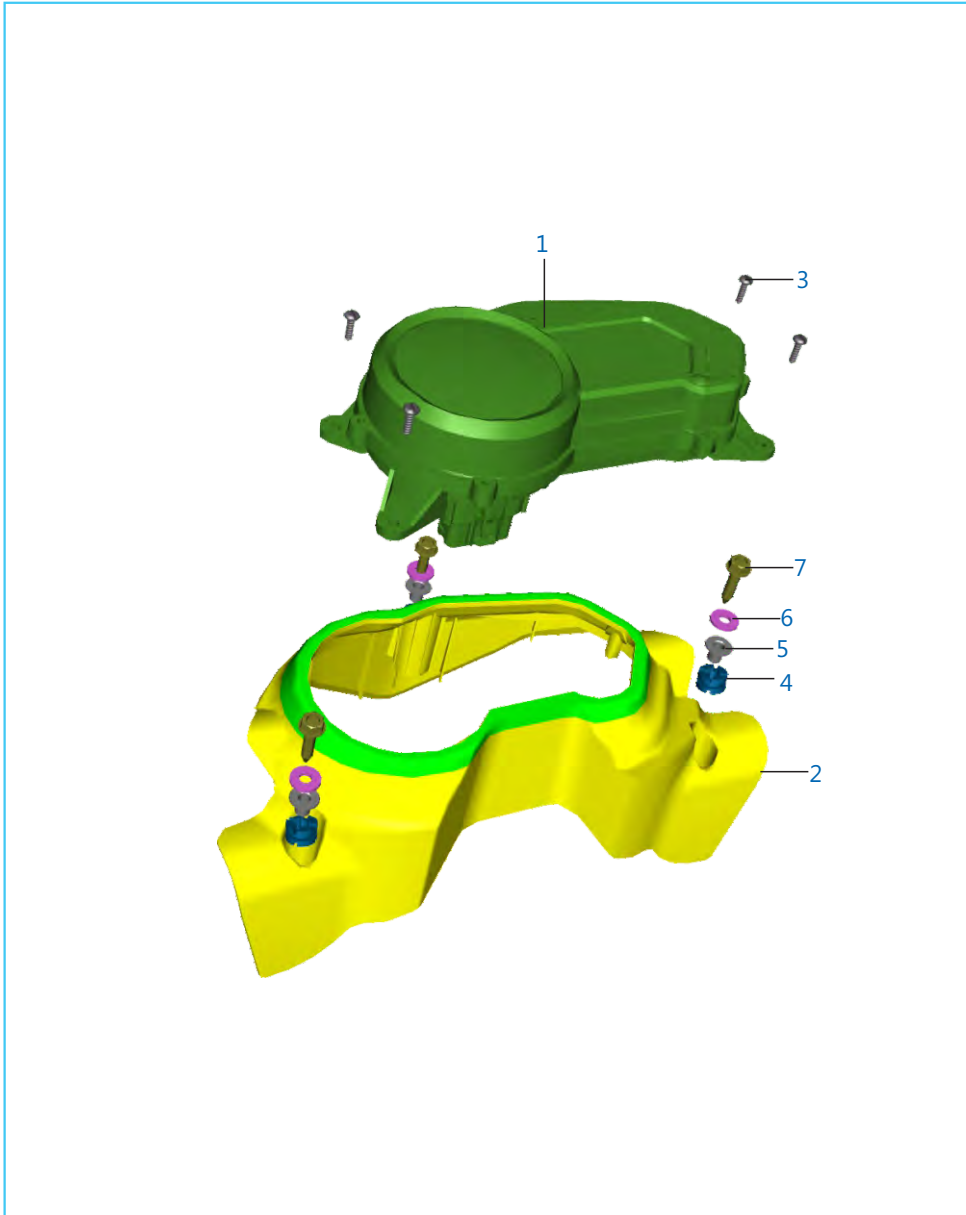
No.	Part No.	Description	Qty.	Remarks
1	JD 1716 00	Cap Fuel Tank	1	
2	KA CA05 16	Bolt Socket	6	
3	JD 1716 02	Tap Fuel	1	
4	30 1410 39	Packing	1	
5	DD 1412 27	Bolt Flanged	2	
6	39 0740 11	Washer(non Metallic)	2	
7	JD 4026 01	Tfr Fuel Level Sensor-sprint	1	
8	JH 1710 17	O Ring Fuel Gauge	1	
9	JD 1710 38	Seat Tape	1	
10	KC GA05 05	Nut Hex Flanged	4	
11	JZ 1718 29	Tube Fuel	1	
12	33 1410 08	Clamp	2	
13	DK 1410 15	Tank - Pad	1	



Fittings - Petrol Tank, Side Covers & Cover Seat, Belly Pan

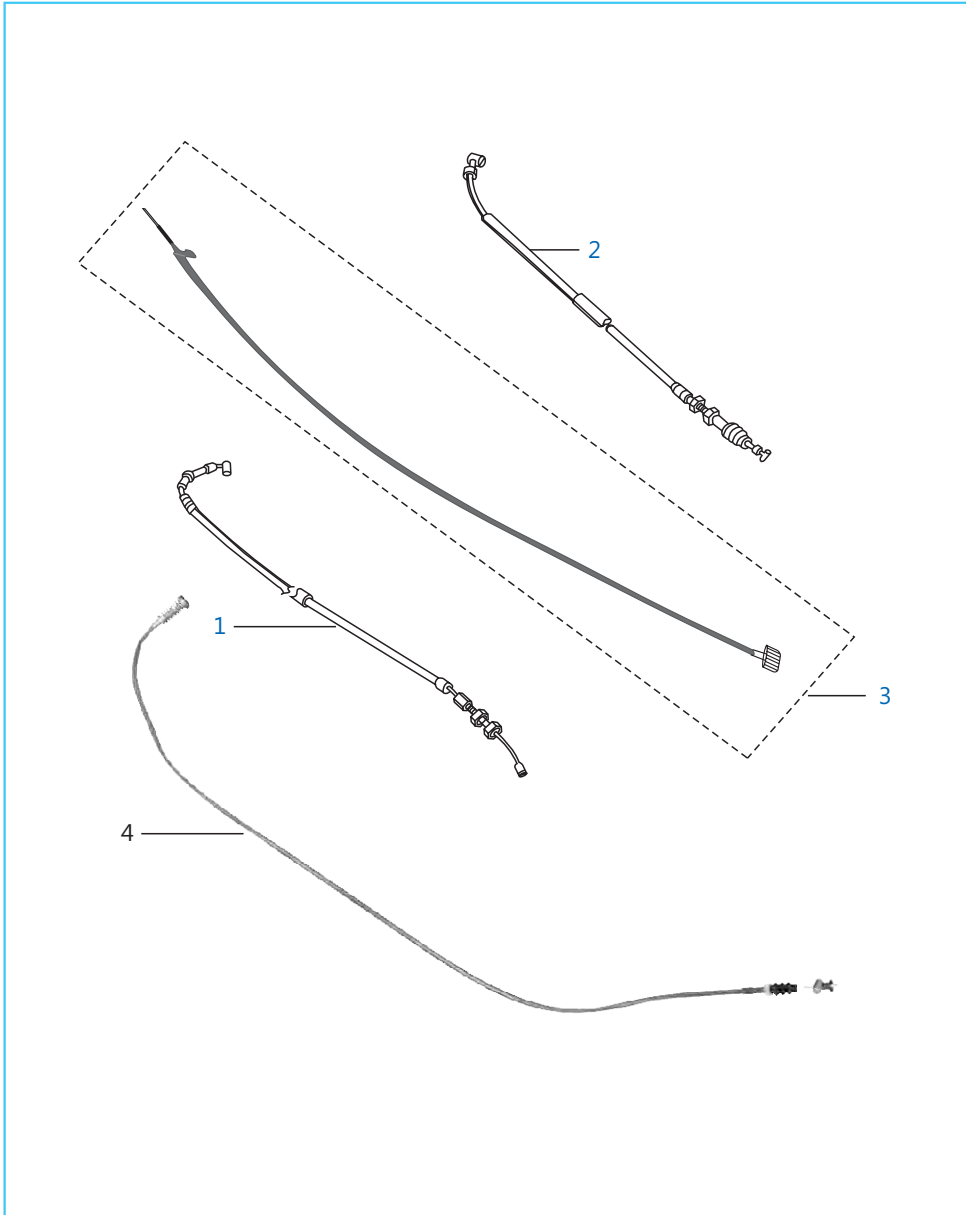
No.	Part No.	Description	Qty.	Remarks
1	36 JE00 09	Grommet Kit for Side Cover	1	N.I
2	DG 1611 21	Screw	1	
3	39 1789 24	Washer Nylon	3	
4	39 1943 04	Flanged Bolt	2	Seat Cowl Mounting
5	JN 1710 00	Damper Rear	1	For Tank
6	39 1956 04	Flange Bolt	1	
7	39 2424 11	Plain Washer	1	
8	DJ 1410 08	Damper Front	2	For Tank Mounting
9	JD 1110 12	Bracket Side Cover Lock	1	
10	LA D000 18	Hex Head Bolt	2	
11	DJ 2011 73	Grommet For Cables- Rear Fender	2	N.I.
12	JD 1812 46	Bracket Pan Belly Mtg LH	1	
13	JD 1812 47	Bracket Pan Belly Mtg RH	1	

Meter Assembly

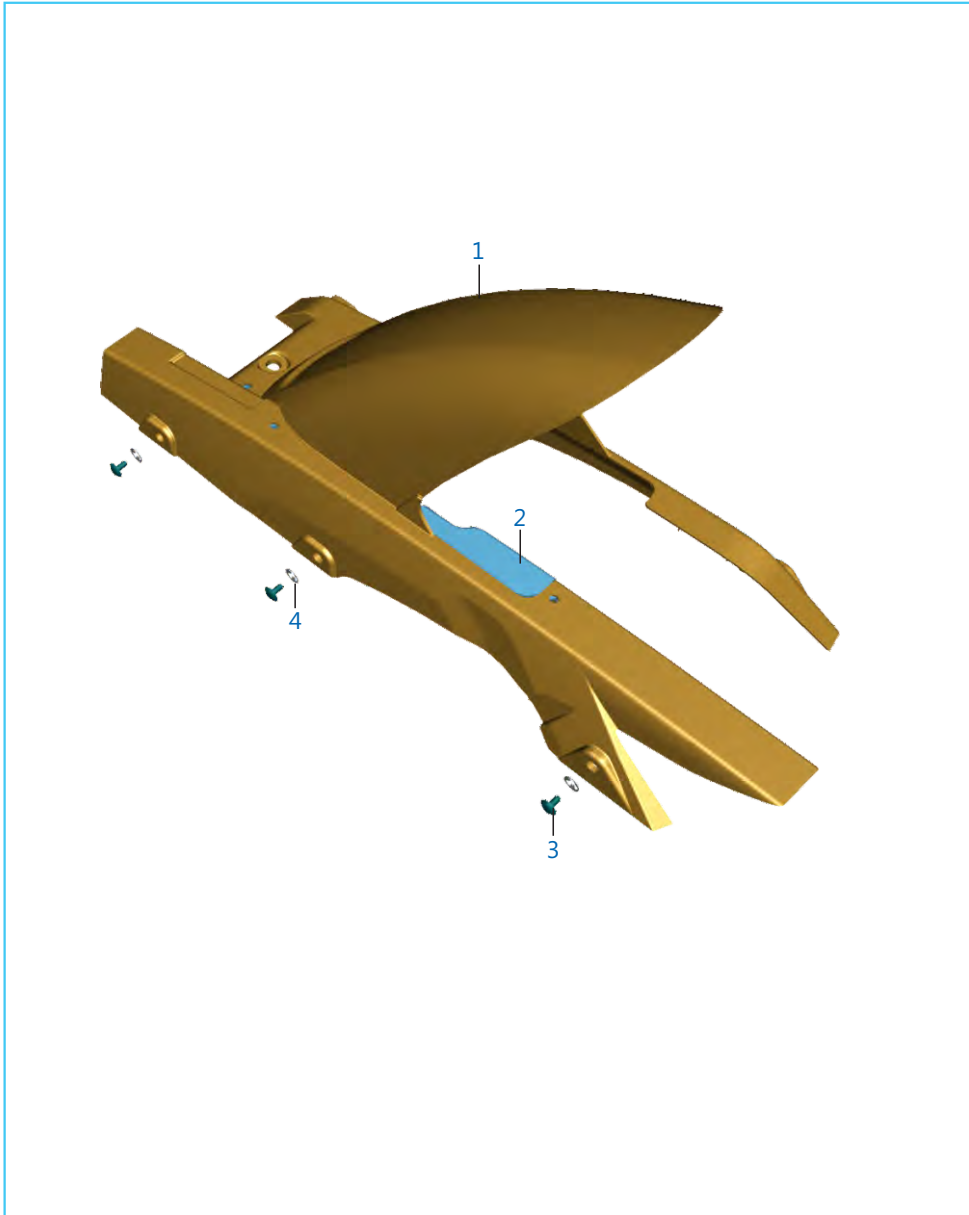


No.	Part No.	Description	Qty.	Remarks
1	JD 4024 05	Speedometer Assembly	1	
2	JD 1812 11	Flap Cowling	1	
3	39 1778 02	Screw	4	
4	JC 1410 15	Grommet	3	
5	JC 1410 16	Collar	3	
6	39 0711 11	Washer	3	
7	59 0400 48	Flange Bolt	3	

Control Cables

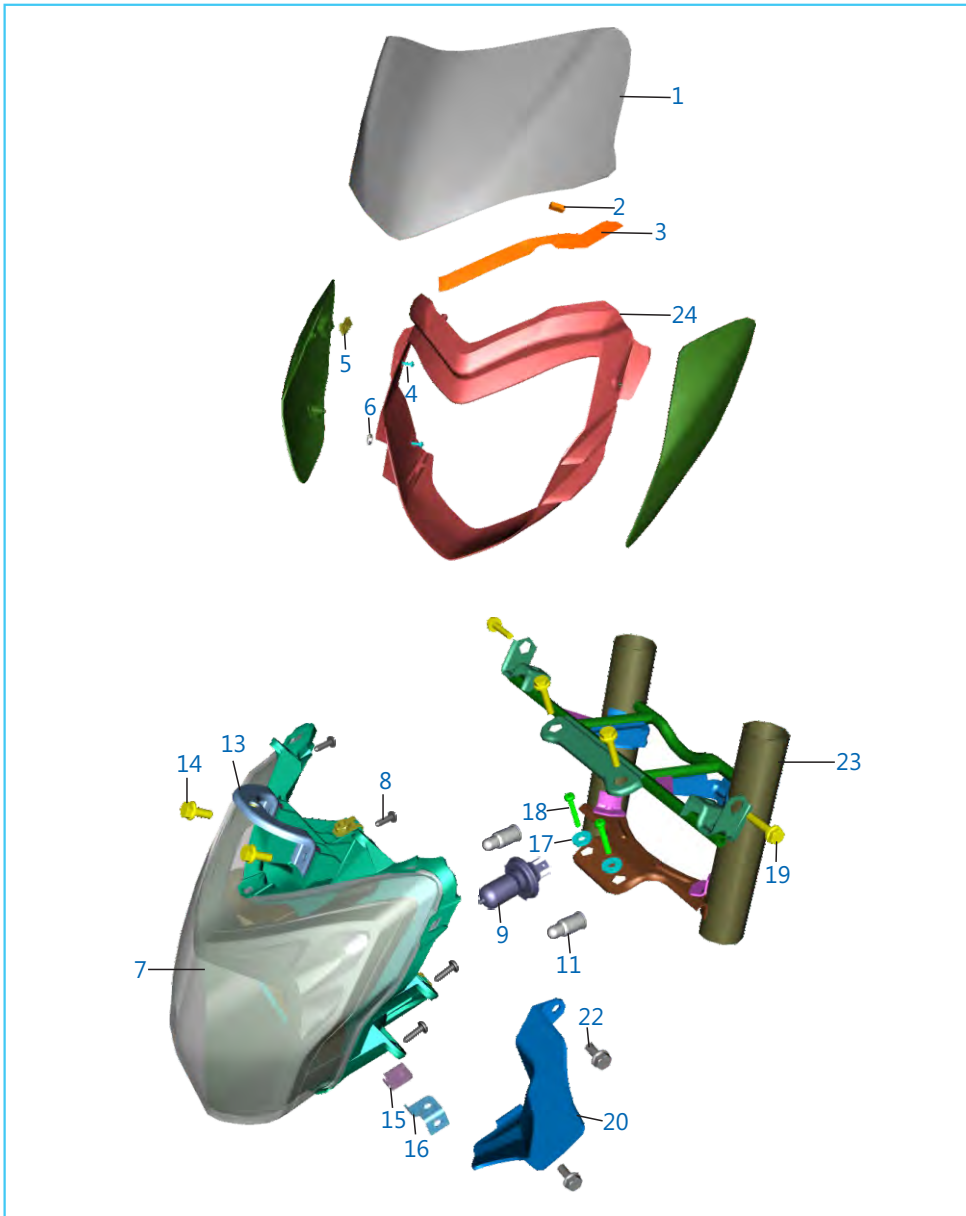


No.	Part No.	Description	Qty.	Remarks
1	JD 1612 04	Cable Throttle	1	
2	JD 1612 03	Cable Clutch	1	
3	DH 2010 80	Speedometer Sensor	1	
4	JD 1318 20	Cable Brake Lever-mastr Cylinder	1	



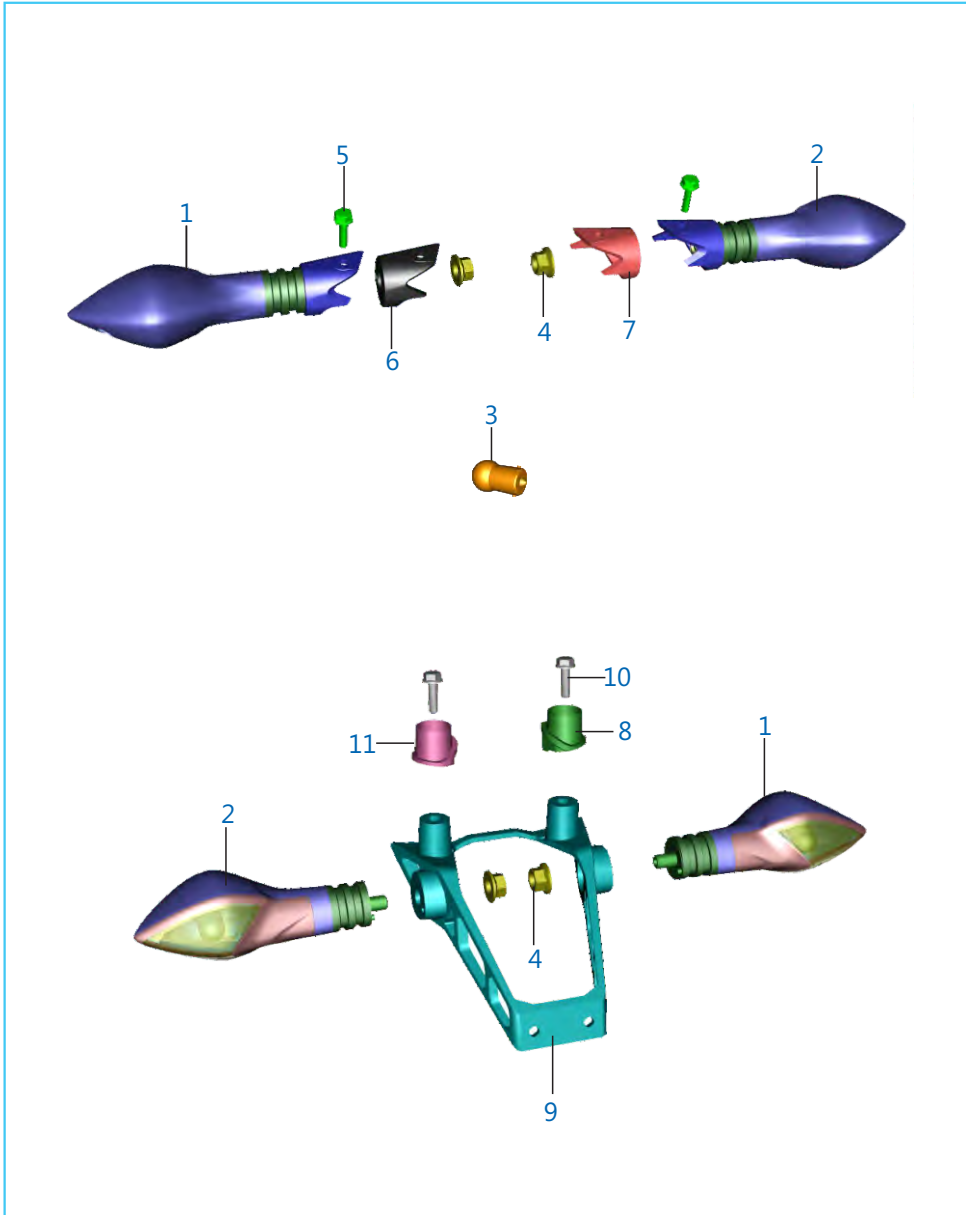
Chain Case

No.	Part No.	Description	Qty.	Remarks
1	JD 1812 33	Chain Cover Assly	1	
2	JD 1812 32	Cover Chain Inner	1	
3	JD 1812 34	Plastic Nail	3	
4	01 1605 08	Lock Washer	3	



## Head Lamp & Fairing

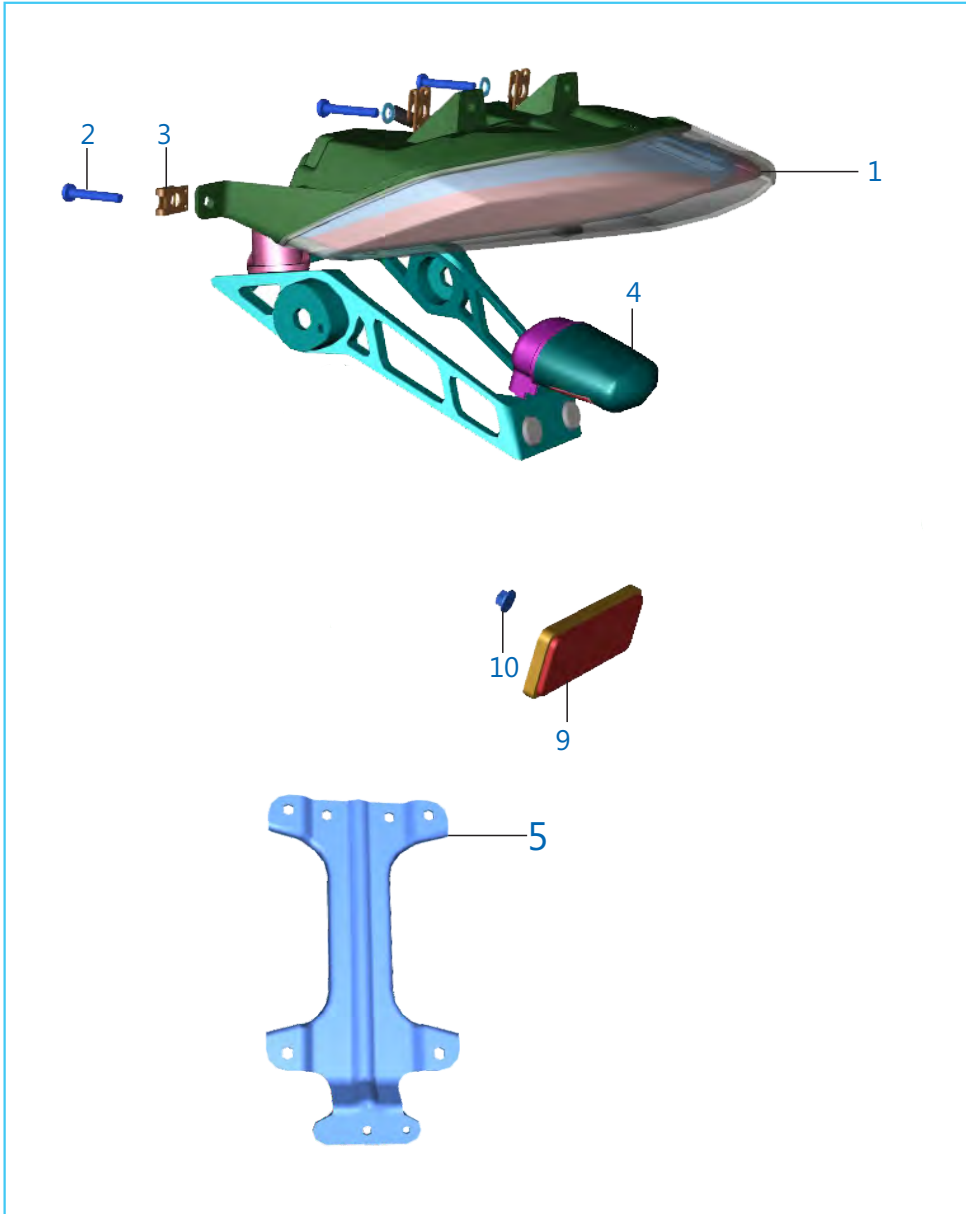
No.	Part No.	Description	Qty.	Remarks
1	JD 1812 10	Windshield	1	
2	JD 1812 41	Foam - Windshield	2	
3	JD 1812 49	Tape Windshield	2	
4	39 1778 02	Screw	4	
5	35 1610 60	Nut Clip	2	
6	01 1605 08	Lock Washer	2	
7	JD 4010 26	Head Lamp Assembly	1	
8	39 1778 02	Screw Tapping	6	
9	CL 2010 23	LAMP :- 12V-35/35W	1	
10	DS 2010 36	Head Lamp Bulb Clip	1	N.I
11	30 201029	Lamp 12V 4W	2	Pilot Lamp
12	JD 4022 40	Harness Wiring Front	1	
13	JD 1812 21	Bracket Speedo Cover Mtg	1	
14	39 2060 04	Bolt Flange	2	
15	JD 1510 38	Bracket H/L Mtg Lower RH	1	
16	JD 1510 37	Bracket H/L Mtg Lower LH	1	
17	39 1765 11	Washer	2	
18	39 1844 01	Screw Pan Cross M5	2	
19	39 1553 04	Bolt Flange M-6	4	
20	JD 1812 28	Cover Harness LH	1	
21	JD 1812 29	Cover Harness RH	1	N.I
22	39 1943 04	Bolt Flange	2	
23	JD 1510 06	Lamp Shade Assy	1	
24	JD 1812 12	Mask	1	



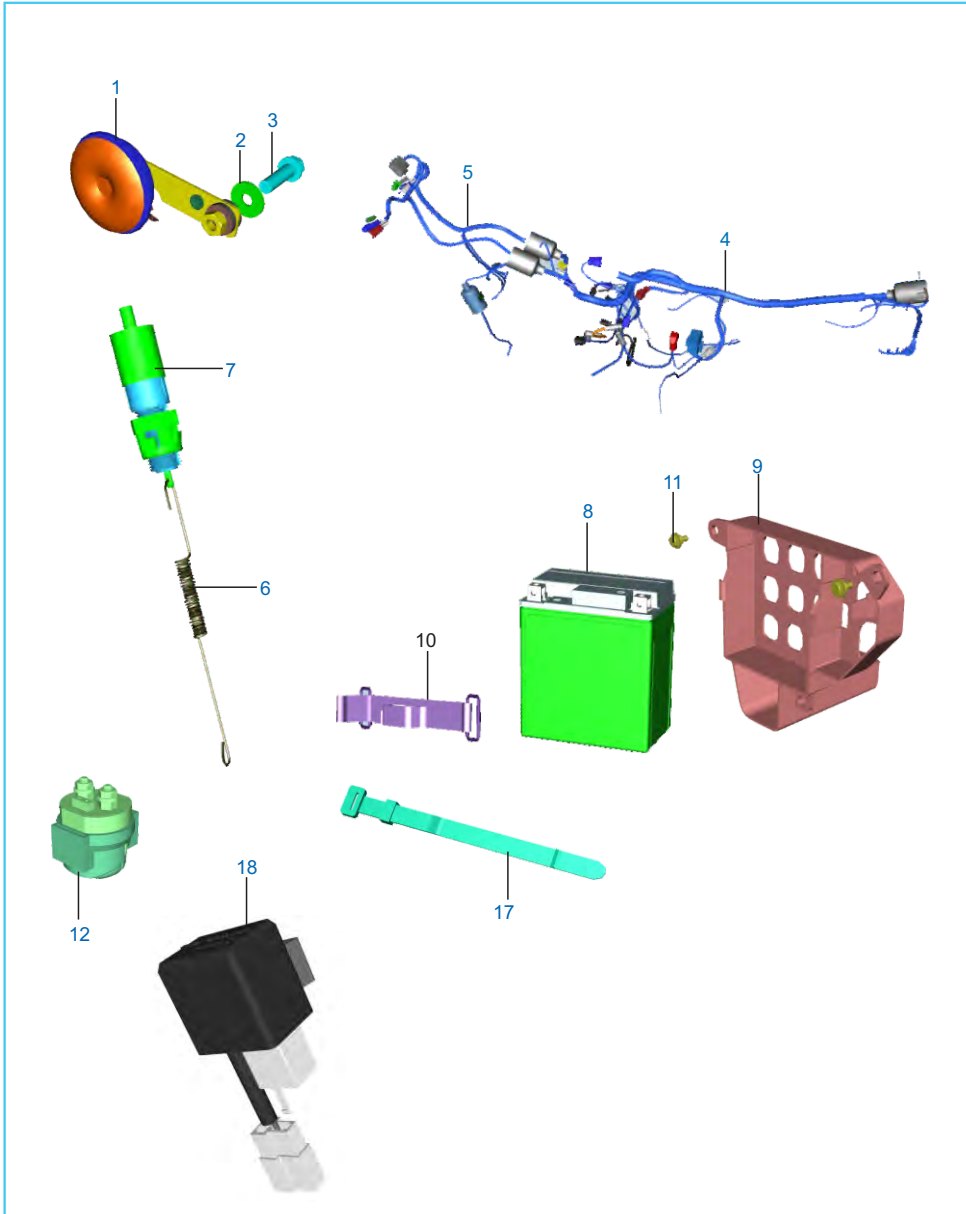
### Indicator Light Assembly

No.	Part No.	Description	Qty.	Remarks
1	JD 4010 04	Indicator Assembly Front LH /Rear RH	1	
2	JD 4010 03	Indicator Assembly Front RH / Rear LH	1	
3	GH 2010 12	Lamp 12 V - 10W	4	
4	39 1225 15	Hex Nut with Flange	4	
5	KA DF06 20	Bolt Flange	2	
6	JD 1510 23	Bracket Front Blinker Mounting LH	1	
7	JD 1510 24	Bracket Front Blinker Mounting RH	1	
8	JD 2328 05	Rubber Bush RR Blink. Mtg. Bkt. RH	1	
9	JD 1138 01	Bracket Rear Blinker Mounting	1	
10	KA DF06 20	Bolt Flange	2	
11	JD 2328 04	Rubber Bush RR Blink. Mtg. Bkt. LH	1	

Tail Lamp Assly / Front Number Plate

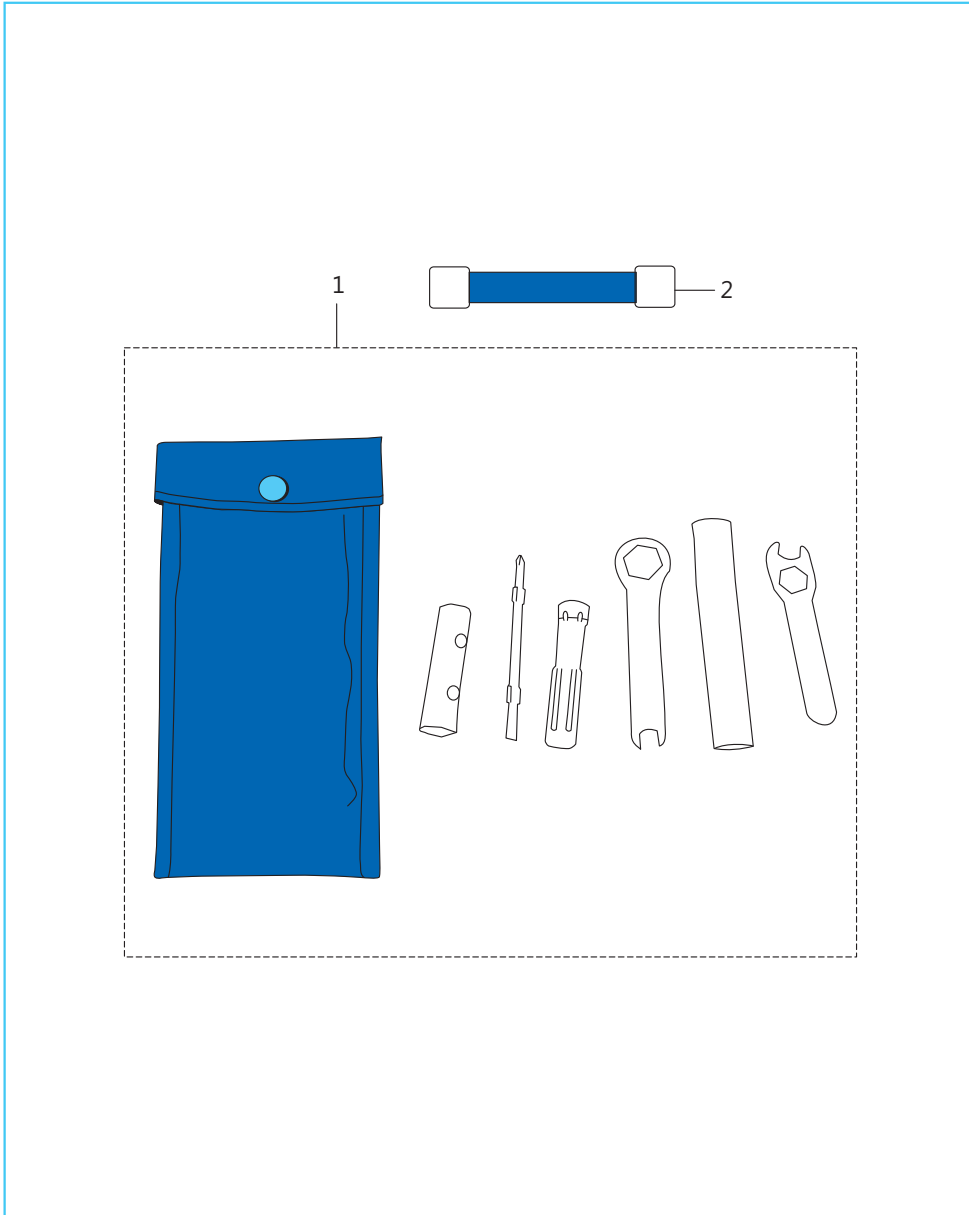


No.	Part No.	Description	Qty.	Remarks
1	JD 4010 08	LED Tail Lamp Assly	1	
2	KB UA05 14	Screw Truss	4	
3	DJ 1612 29	Clip Nut Tail Lamp	4	
4	JD 4010 07	No. Plate Lamp with 2 Point Coupler	1	
5	JL 2328 17	Bracket Rear No. Plate	1	
6	DJ 2010 72	Bulb 12V/ 5W	1	N.I
7	JD 4010 23	Cover-rear Number Plate Lamp	1	
8	39 1553 04	Bolt Flange	2	
9	JG 4010 36	Reflector Reflex	1	
10	LC G000 28	Nut Flange	1	



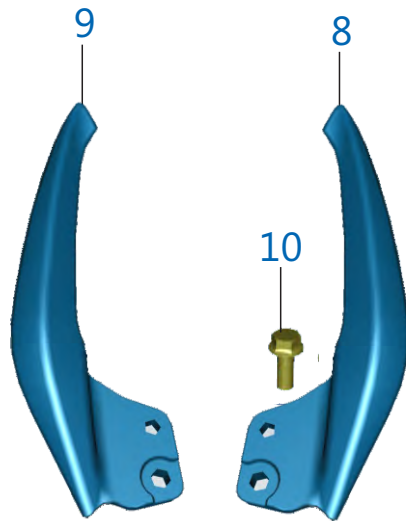
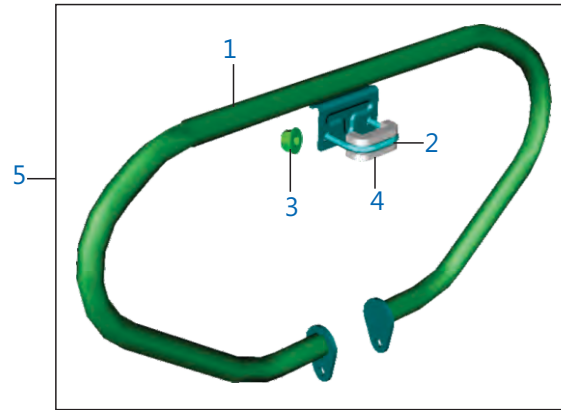
### Electrical Equipments

No.	Part No.	Description	Qty.	Remarks
1	DK 2010 37	Horn LH with Stay	1	
	DK 2010 38	Horn RH with Stay	1	
2	39 1507 11	Plain Washer	1	
3	39 1956 04	Flange Bolt	1	
4	JD 4022 39	Wiring Harness	1	
5	JD 4022 40	Wiring Harness Front	1	
6	JD 1610 16	Spring Brake Switch	1	
7	31 2010 79	Rear Brake Switch	1	
8	DS 2010 82	Battery Dry Charge 5AH	1	
9	JA 4018 00	Case Battery 5 AH	1	
10	JA 4018 01	Band Battery	1	
11	DS 1612 24	Bolt Flange	2	
12	JN 3516 04	Starter Relay with Grommet	1	
13	GF 2010 53	Fuse 10 AMP	1	N.I
14	DK 2010 49	Clamp Harness(strip Clamp)	1	N.I
15	JA 4022 02	Cable Assembly-battery To Earth	1	N.I
16	JW 4022 02	Cable Assly. Starter Relay to Motor	1	N.I
17	PA 4022 04	Band (Harness) (110 mm)	2	
17a	JD 4022 17	Band (L150)	1	N.I.
17b	JD 4022 12	Band (length 200mm)	1	N.I.
18	JL 4020 04	Light Control Module	1	



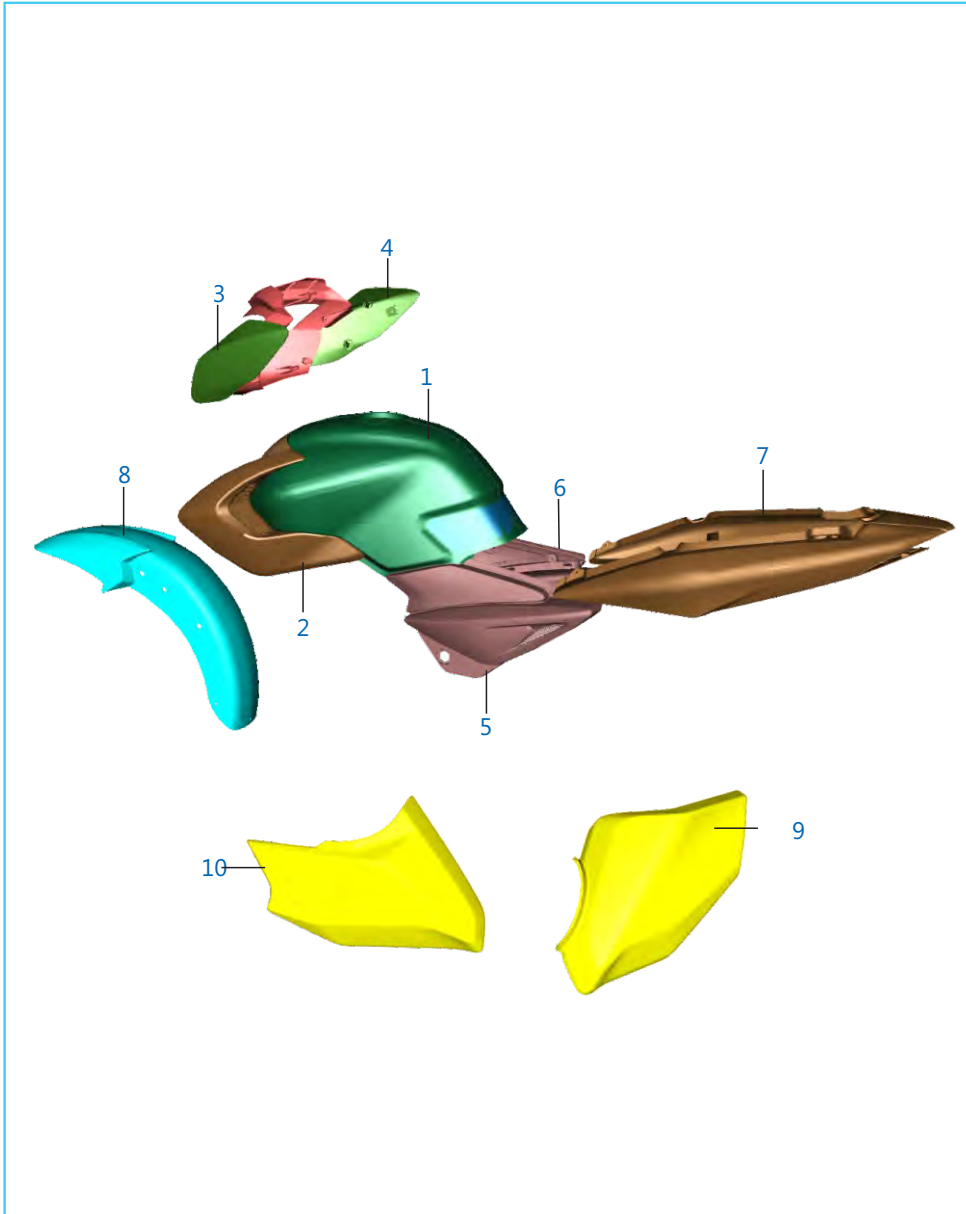
### Tool Kit

No.	Part No.	Description	Qty.	Remarks
1	DJ 2210 19	Tool Kit	1	
2	DK 2210 24	Band Tool Kit	1	



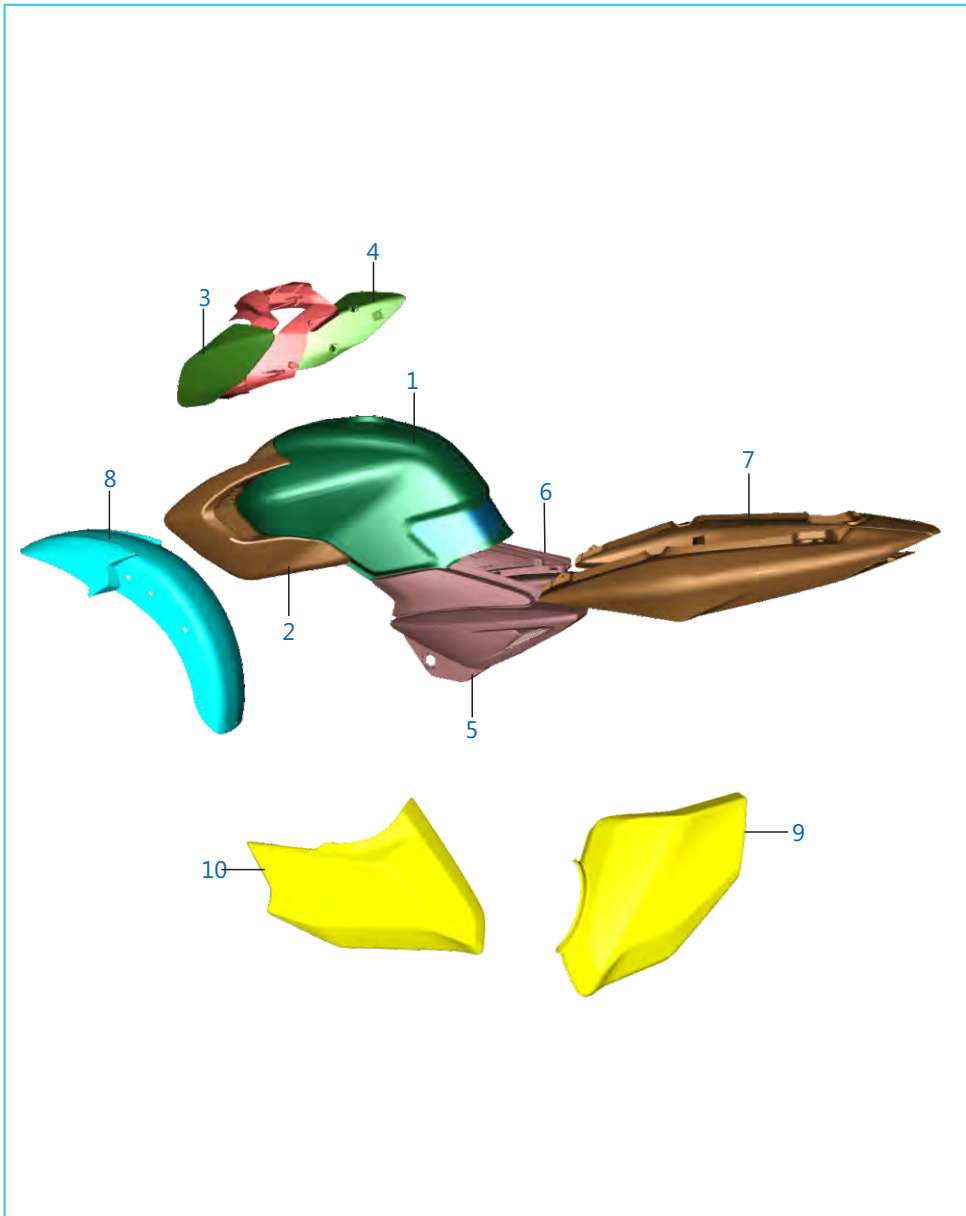
### Accessories / Grab Handle

No.	Part No.	Description	Qty.	Remarks
1	JD 2312 01	Leg Guard	1	
2	JA 2312 01	Hook Leg Guard	1	
3	39 0798 15	Nut Hexagon With Flange - M6	2	
4	JA 2312 02	Leg Guard Spacer	1	
5	JD 2312 00	Leg Guard Kit	1	
6	DJ 1610 79	Foam LH For Grab	1	N.I.
7	DJ 1610 80	Foam RH For Grab	1	N.I.
8	JD 2314 02	Grab Handle LH With Foam	1	
9	JD 2314 03	Grab Handle RH With Foam	1	
10	KA DF08 22	Flange Bolt	4	
11	DS 1611 66	Frame Tape II	1	N.I.



Painted Parts

No.	Part No.	Description	Qty.	Remarks
1	52 JD11 50	Tank Khi Passion Red WH Decal	1	
1	52 JD11 51	Tank Pearl Metallic White WH Decal	1	
1	52 JD11 52	Tank Sparkling Black WH Decal	1	
1	52 JD11 53	Tank Bright Yellow WH Decal	1	
2	52 JD09 04	Spoiler Asly Matte Pewter Gray Wh Dkl	1	
3	52 JD09 05	Fairing LH Matte Pewter Gray Wh Khi Pas.	1	
3	52 JD09 08	Fairing LH Matte Pewter Gray Wh Perl.wht	1	
3	52 JD09 11	Fairing LH Matte Pewter Gray Wh Spark.bl	1	
3	52 JD09 14	Fairing LH Matte Pewter Gray Wh Brgt.yel	1	
4	52 JD09 06	Fairing RH Matte Pewter Gray Wh Khi Pas.	1	
4	52 JD09 09	Fairing RH Matte Pewter Gray Wh Perl.wht	1	
4	52 JD09 12	Fairing RH Matte Pewter Gray Wh Spark.bl	1	
4	52 JD09 15	Fairing RH Matte Pewter Gray Wh Brgt.yel	1	
5	52 JD11 63	S. Cov. Lh Asy Pewter Gray Khi Pass.red	1	
5	52 JD11 67	S. Cov Lh Asy Pewter Gray Wh Perl Wht Dk	1	
5	52 JD11 71	S. Cov Lh Asy Pewter Gray Wh Spark Blk D	1	
5	52 JD11 75	S. Cov Lh Asy Pewter Gray Wh Brgt.yelow	1	
6	52 JD11 65	S. Cov Rh Asy Pewter Gray Wh Khi.pas.red	1	
6	52 JD11 69	S. Cov Rh Asy Pewter Gray Wh Perl Wht Dk	1	
6	52 JD11 73	S. Cov Rh Asy Pewter Gray Wh Spark Blk D	1	
6	52 JD11 77	S. Cov Rh Asy Pewter Gray Wh Brgt.yelow	1	



Painted Parts

No.	Part No.	Description	Qty.	Remarks
7	52 JD08 96	Seat Cowl Pewter Gry Wh Khi Pas.red DCL	1	
7	52 JD08 98	Seat Cowl Matte Pewter Gray Wh Perl Wht.	1	
7	52 JD09 00	Seat Cowl Pewter Gray Wh Spark.blk DCL	1	
7	52 JD09 02	Seat Cowl Pewter Gray Wh Brgt.yelow DCL	1	
8	52 JD08 79	Front Fender Matte Pewter Gray	1	
9	52 JD09 28	Belly Pan LH Khi Passion Red	1	
9	52 JD09 30	Belly Pan LH Pearl Met White	1	
9	52 JD09 32	Belly Pan LH Sparkling Black	1	
9	52 JD09 34	Belly Pan LH Bright Yellow	1	
10	52 JD09 29	Belly Pan RH Khi Passion Red	1	
10	52 JD09 31	Belly Pan RH Pearl Met White	1	
10	52 JD09 33	Belly Pan RH Sparkling Black	1	
10	52 JD09 35	Belly Pan RH Bright Yellow	1	



### Decal Sets

No.	Part No.	Description	Qty.	Remarks
1	36 JD00 94	Kit Decal Tank	1	
2	36 JD00 95	Kit Fairing Dcl P Red	1	
2	36 JD00 96	Kit Fairing Dcl P White	1	
2	36 JD00 97	Kit Fairing Dcl S Black	1	
2	36 JD00 98	Kit Fairing Dcl B Yellow	1	
3	36 JD00 99	Kit Spoiler Decal	1	
4	JD 2333 49	Decal Cover Side Lh Passion Red	1	
4	JD 2333 51	Decal Cover Side LH White	1	
4	JD 2333 53	Decal Cover Side LH Black	1	
4	JD 2333 55	Decal Cover Side LH Yellow	1	
5	JD 2333 50	Decal Cover Side RH Passion Red	1	
5	JD 2333 52	Decal Cover Side RH White	1	
5	JD 2333 54	Decal Cover Side RH Black	1	
5	JD 2333 56	Decal Cover Side RH Yellow	1	
6	36 JD01 00	Kit Seat Cowl Dcl P Red	1	
6	36 JD01 01	Kit Seat Cowl Dcl P White	1	
6	36 JD01 02	Kit Seat Cowl Dcl S Black	1	
6	36 JD01 03	Kit Seat Cowl Dcl B Yellow	1	
7	JL 2332 55	Decal Wheel I Red-grey	4	
7	JL 2332 69	Decal Wheel I White-gray	4	
7	JL 2332 98	Decal Wheel I Black-gray	4	
7	JL 2333 10	Decal Wheel I Yellow-gray	4	
8	JL 2332 56	Decal Wheel II Red-grey	4	
8	JL 2332 70	Decal Wheel I White-gray	4	
8	JL 2332 99	Decal Wheel II Black-gray	4	
8	JL 2333 11	Decal Wheel II Yellow-gray	4	
9	JD 2331 50	Decal Tank 3D	2	

# Kit List



Sr No	Kit Part No.	Kit Description	Consisting of Following Parts		
			Part No.	Description	Qty/Kit
1	36JD0106	Valve Repair Kit	DG101029	Cotter Valve	8
			39201719	Seal Valve Stem	4
2	36JD0107	Kit Valve Intake & Exhaust	PA511256	Valve Intake	2
			PA511257	Valve Exhaust	2
3	36JD0108	Kit Connecting Rod	JW531004	Connecting Rod	1
			CS101044	Brg Needle Big End 25x32x15.8	1
			JH531003	Pin Crank_k11	1
4	36JZ0122	Guide Chain Kit	JE521025	Guide Tight Side Silent Chain	1
			JE541037	Guide Slack Side Silent Chain	1
5	36JD0080	KIT CYL BLOCL & PISTON	PA521017	Cylinder Block D109a	1
			JE521223	Piston Assembly	1
6	36JH0032	Kit Piston Rings	PA521225	Ring Piston Top D105d	1
			PA521226	Ring Piston Second D105d	1
			PA521227	Ring Piston Oil D105d	1
7	36JD0090	Kit Friction Plate	JE551441	Plate Friction	4
8	36DS1802	Bearing Cone Kit	DH181025	Bearing cone	1
			DH181026	Bearing race	1
			DH181024	Upper bearing race	1
9	36DK0013	Hardware Kit - Pillion Step	DJ161186	Plate - Side :- Pillion Step	1
			DH161061	Pin - Pillion Step	1
			30141031	Ring - O	1
			39104011	Washer - Plain	1
			39078408	Pin - Split	1
10	36DK0018	Torque Rod Hardware Kit	39078912	Washer - Spring	1
			39020111	Washer - Plain	1
			39080708	Pin - Snap	1
			39069415	Nut - Hexagon Lock :- M8 X 1.25	1

# Kit List



Sr No	Kit Part No.	Kit Description	Consisting of Following Parts		
			Part No.	Description	Qty/Kit
11	36JH0009	Boss Kick Set	22150241	Plain Washer	1
12	36DS1802	Bearing Cone Kit	DH181025	Bearing Cone	1
			DH181026	Bearing Race	1
			DH181024	Bearing Race - Upper	1
13	36JE0009	Grommet Kit - Side Cover	DS141012	Grommet Side Cover Front	2
			DS161082	Grommet Side Cover Rear	2
14	36JD0094	Kit Decal Tank	JD233281	Decal Tank Rh	1
			JD233280	Decal Tank Lh	1
15	36JD0095	Kit Fairing Dcl P Red	JD233283	Decal Fairing RH Passion Red	1
			JD233282	Decal Fairing LH Passion Red	1
16	36JD0096	Kit Fairing Dcl P White	JD233285	Decal Fairing Rh Pearl White	1
			JD233284	Decal Fairing Lh Pearl White	1
17	36JD0097	Kit Fairing Dcl S Black	JD233287	Decal Fairing Rh Sparkle Bl	1
			JD233286	Decal Fairing Lh Sparkle Bl	1
18	36JD0098	Kit Fairing Dcl B Yellow	JD233289	Decal Fairing Rh Bright Yellow	1
			JD233288	Decal Fairing Lh Bright Yellow	1
19	36JD0100	Kit Seat Cowl Dcl P Red	JD233293	Dcl Cowl Seat Rh Passion Red	1
			JD233292	Dcl Cowl Seat Lh Passion Red	1
20	36JD0101	Kit Seat Cowl Dcl P White	JD233295	Dcl Cowl Seat Rh Pearl White	1
			JD233294	Dcl Cowl Seat Lh Pearl White	1
21	36JD0102	Kit Seat Cowl Dcl S Black	JD233297	Dcl Cowl Seat Rh Sparkle Bl	1
			JD233296	Dcl Cowl Seat Lh Sparkle Bl	1
22	36JD0103	Kit Seat Cowl Dcl B Yellow	JD233299	Dcl Cowl Seat Rh Bright Yellow	1
			JD233298	Dcl Cowl Seat Lh Bright Yellow	1

# Kit List



Sr No	Kit Part No.	Kit Description	Consisting of Following Parts		
			Part No.	Description	Qty/Kit
23	36JD0109	Chain Sprocket kit	JD141002	SPROCKET REAR WHEEL 43 T	1
			JZ551004	SPROCKET OUTPUT 14T DISCO-H	1
			JD141001	DRIVE CHAIN 'O' RING	1

# Kit List



Sr No	Kit Part No.	Kit Description	Consisting of Following Parts		
			Part No.	Description	Qty/Kit

# SPC Updation Details



Page no.	Fig. no.	Old part no.	New part no.	Description	Updation date	Remarks
80	12	-----	JD181246	Bracket Pan Belly Mtg LH	26.03.19	Added
80	13	-----	JD181247	Bracket Pan Belly Mtg RH	26.03.19	Added
30	15	JE551442	36JD0111	Kit Clutch Plate	26.03.19	Updation
6	7	-----	PD511205	Sleeve Plug Spark	10.04.19	Added Ref.Cir.IB-362
6	9	-----	KJAC1824	O Ring	10.04.19	Added Ref.Cir.IB-362
40	11	-----	JE591280	Gasket Exhaust	11.04.19	Added Ref.Cir.IB-360

# SPC Updation Details



Page no.	Fig. no.	Old part no.	New part no.	Description	Updation date	Remarks

# Parts Index



Part Number	Figure No.	Page No.	Part Number	Figure No.	Page No.
14151033	14	30	39029215	10	52
22150241	4	34	39032615	6	56
24121462	9	4	39042215	9	58
30101142	15	26	39045411	6	52
30101195	7	28	39059417	12	10
30141039	4	78	39071111	6	82
30151005	20	68	39072211	18a	68
30151011	18	68	39073817	9	34
30151033	12	62	39074011	6	78
30151038	19	68	39075801	2	38
30151069	15	68	39078912	15	70
30151075	12	68	39079415	16	70
30151095	18	70	39079815	3	98
30151118	5	62	39080708	17	70
30181011	2	50	39080808	14	20
30181026	4	74	39090012	4	62
30181029	17	74	39098717	3	16
30181029	22	74	39099206	2	18
30191035	10	70	39099311	12	34
30191038	7	70	39099906	6	22
30201029	11	88	39099906	4	32
31101173	3	14	39100006	4	12
31181108	2	74	39104119	3	26
31201079	23	70	39105711	3A	30
31201079	7	94	39118011	26	72
31201081	6	24	39118101	12	74
33141008	12	78	39118415	10	72
35161060	5	88	39122515	8	48
39019811	9	70	39122515	4	90
39021111	12	56	39128321	10	6
39021111	4	70	39133615	7	52
39021911	21	56	39150711	2	94
39024011	12	30	39155304	9	30
39024211	7	56	39155304	19	88

# Parts Index



Part Number	Figure No.	Page No.	Part Number	Figure No.	Page No.
39155304	8	92	39242511	8	40
39166005	2	6	39242704	16	72
39167121	11	26	39244311	4	26
39167304	11	10	39256220	3	24
39169801	8	56	39256611	25	68
39171519	5	24	39260801	8	6
39176511	17	88	39262921	9	6
39177802	3	82	39266921	13	10
39177802	4	88	39268620	11	68
39177802	8	88	39268720	14	68
39178924	3	80	39272612	14	52
39184401	18	88	59020001	7	76
39188020	1b	10	59040006	9	74
39190204	15	20	59040038	2	2
39190204	7	46	59040038	14	24
39194304	11	44	59040038	19	26
39194304	13	56	59040038	2	28
39194304	18	72	59040048	7	82
39194304	4	80	59040050	8	2
39194304	22	88	59150003	17	62
39195604	6	80	59150014	1	14
39195604	3	94	59200036	3	22
39197015	2	48	59200036	4	24
39199819	6	20	59210019	6	62
39201719	7	8	59210023	11	24
39206004	20	56	59210024	19	16
39206004	14	88	01160508	4	86
39214704	14	38	01160508	6	88
39219019	8	24	36DK0013	8	54
39220011	11	30	36DK0018	12	70
39231204	5	48	36DS1802	4	50
39236615	15	52	36DS1802	10	74
39240817	14	34	36JD0080	1	12
39242411	7	80	36JD0090	5	30

# Parts Index



Part Number	Figure No.	Page No.	Part Number	Figure No.	Page No.
36JD0091	7	64	52JD0898	7	102
36JD0092	6	64	52JD0900	7	102
36JD0093	8	64	52JD0902	7	102
36JD0094	1	104	52JD0904	2	100
36JD0095	2	104	52JD0905	3	100
36JD0096	2	104	52JD0906	4	100
36JD0097	2	104	52JD0908	3	100
36JD0098	2	104	52JD0909	4	100
36JD0099	3	104	52JD0911	3	100
36JD0100	6	104	52JD0912	4	100
36JD0101	6	104	52JD0914	3	100
36JD0102	6	104	52JD0915	4	100
36JD0103	6	104	52JD0928	9	102
36JD0106	6	8	52JD0929	10	102
36JD0107	8	8	52JD0930	9	102
36JD0108	17	14	52JD0931	10	102
36JD0109	2	68	52JD0932	9	102
36JD0111	15	30	52JD0933	10	102
36JE0009	1	80	52JD0934	9	102
36JE0031	4	36	52JD0935	10	102
36JE0033	3	36	52JD1150	1	100
36JE0034	7	36	52JD1151	1	100
36JH0009	3	34	52JD1152	1	100
36JH0012	2	36	52JD1153	1	100
36JH0015	5	36	52JD1163	5	100
36JH0016	9	36	52JD1165	6	100
36JH0018	8	36	52JD1167	5	100
36JH0032	2	12	52JD1169	6	100
36JH0074	6	36	52JD1171	5	100
36JZ0122	6	10	52JD1173	6	100
36PA0211	2	22	52JD1175	5	100
52JA0029	9	22	52JD1177	6	100
52JD0879	8	102	52JE0227	1	26
52JD0896	7	102	52JE5510	1	28

# Parts Index



Part Number	Figure No.	Page No.	Part Number	Figure No.	Page No.
52JZ0264	1	20	DH101048	5	10
56JD33Y9	1	72	DH101380	5	22
56JD3X1Y	1	54	DH101380	5	42
56JD5H1Y	2	54	DH101380	12	42
BA102004	13	22	DH101392	7	10
BF561219	8	20	DH101509	12	20
CF111019	3	44	DH101639	8	22
CL201023	9	88	DH101648	13	30
CS101044	14	14	DH101784	6a	24
CS101128	9	10	DH111013	8	44
DD101062	10	10	DH111015	4a	44
DD101097	15	34	DH121059	10	36
DD111011	5	44	DH121063	11	36
DD111012	7	44	DH121064	16	36
DD111018	11	6	DH121093	15	36
DD111048	4	44	DH121176	17	36
DD121181	12	26	DH151039	2	66
DD141227	5	78	DH161061	7	54
DD161071	7	40	DH161066	11	58
DE151006	11	62	DH161133	10	48
DE151008	8	62	DH161146	10	58
DE151012	9	62	DH161233	11	46
DE151037	6	66	DH161240	7	58
DE151043	7	66	DH171019	26	68
DE151046	4	66	DH181014	3	50
DE151047	5	66	DH181025	6	50
DE151048	3	66	DH181119	17	72
DF161102	8	58	DH191007	12	72
DF161426	15	38	DH191008	13	72
DG101029	3	8	DH191017	23	72
DG121003	11	4	DH201079	3	62
DG161121	2	80	DH201080	3	84
DG181008	3	56	DH201081	2	62
DG181008	4	72	DJ141008	8	80

# Parts Index



Part Number	Figure No.	Page No.	Part Number	Figure No.	Page No.
DJ151037	8	52	DK211009	2	46
DJ151047	9	52	DK221024	2	96
DJ151073	8	66	DM181010	13	74
DJ151074	9	66	DM181010	18	74
DJ151075	10	66	DP121025	7	2
DJ151094	7	62	DP121025	11	38
DJ161069	5	56	DP121059	12	36
DJ161079	6	98	DP171006	3	52
DJ161080	7	98	DS101117	10	34
DJ161091	2	56	DS101154	6	14
DJ161229	3	92	DS101215	10	26
DJ161278	10	40	DS101355	22	16
DJ181029	27	74	DS121126	10	38
DJ181052	28	74	DS151030	4	60
DJ181064	26	74	DS151047	3	60
DJ181085	29	74	DS151058	13	62
DJ181104	7	74	DS151073	7	68
DJ181115	5	50	DS161125	4	56
DJ191025	10	64	DS161166	11	98
DJ191026	9	64	DS161224	11	94
DJ201072	6	92	DS191052	14	72
DJ201109	5	64	DS201036	10	88
DJ201173	11	80	DS201082	8	94
DJ201246	20	72	DU101213	21	16
DJ221019	1	96	DU181108	3	74
DK101386	4	10	FD101078	2	32
DK141015	11	76	GF201053	13	94
DK141015	13	78	GH201012	3	90
DK181043	15	72	GL621414	8	42
DK181083	19	72	JA113201	2	58
DK201037	1	94	JA113403	6	48
DK201038	1	94	JA113403	7	48
DK201049	14	94	JA113404	1	48
DK211008	6	46	JA121005	14	70

# Parts Index



Part Number	Figure No.	Page No.	Part Number	Figure No.	Page No.
JA231201	2	98	JB122016	12	52
JA231202	4	98	JB131017	1	62
JA401800	9	94	JB131018	16	62
JA401801	10	94	JB131224	22	68
JA402202	15	94	JB531021	10	14
JA511008	4	2	JB541224	3	28
JA511011	6	2	JB581035	3	38
JA511011	12	38	JB591059	5	40
JA511216	2	10	JC141015	4	82
JA531012	8	14	JC141016	5	82
JA531015	9	14	JC141017	8	76
JA541005	9	24	JD111012	9	80
JA541005	4	28	JD111106	1	50
JA541010	4	22	JD113031	3	54
JA541012	7	22	JD113032	4	54
JA541016	3	32	JD113207	1	58
JA541019	12	24	JD113208	6	58
JA541021	10	24	JD113209	4	58
JA541211	7	26	JD113400	4	48
JA541212	18	26	JD113401	3	48
JA541225	8	26	JD113401	9	48
JA541233	6	28	JD113801	9	90
JA551002	4	16	JD113807	9	46
JA551004	8	16	JD113814	16	4
JA551008	17	16	JD113815	15	4
JA551009	18	16	JD122002	2	52
JA551406	2	30	JD122003	11	52
JA581009	7	38	JD122004	13	70
JA581011	4	38	JD122013	4	52
JA581012	9	38	JD122020	1	52
JA621002	11	34	JD131212	24	68
JA621006	5	34	JD131215	4	68
JA621206	2	34	JD131215	10	68
JB122010	13	52	JD131218	23	68

# Parts Index



Part Number	Figure No.	Page No.	Part Number	Figure No.	Page No.
JD131808	2	64	JD161016	20	70
JD131809	10	56	JD161016	6	94
JD131811	15	62	JD161203	2	84
JD131816	14	62	JD161204	1	84
JD131820	4	84	JD171016	3	76
JD131822	21	68	JD171018	5	76
JD141003	1	68	JD171038	10	76
JD151001	30	74	JD171038	9	78
JD151002	31	74	JD171049	12	76
JD151003	14	74	JD171050	13	76
JD151004	15	74	JD171600	1	78
JD151006	25	74	JD171602	3	78
JD151006	23	88	JD181000	14	56
JD151023	6	90	JD181001	15	56
JD151024	7	90	JD181002	16	56
JD151026	6	74	JD181006	17	56
JD151027	19	74	JD181210	1	88
JD151028	21	74	JD181210	1	88
JD151029	11	74	JD181211	2	82
JD151032	24	72	JD181212	24	88
JD151036	23	74	JD181212	24	88
JD151037	16	88	JD181221	13	88
JD151038	15	88	JD181228	20	88
JD151045	21	72	JD181229	21	88
JD151048	22	72	JD181232	2	86
JD151051	3	72	JD181233	1	86
JD151052	2	72	JD181234	3	86
JD151055	1	74	JD181241	2	88
JD161002	5	70	JD181246	12	80
JD161011	6	70	JD181247	13	80
JD161012	1	70	JD181249	3	88
JD161014	9	54	JD181255	14	64
JD161014	21	70	JD181401	1	56
JD161015	3	70	JD181402	9	56
			JD181408	18	56
			JD181409	19	56

# Parts Index



Part Number	Figure No.	Page No.	Part Number	Figure No.	Page No.
JD181412	11	56	JD402240	5	94
JD191003	8	46	JD402405	1	82
JD191006	4	46	JD402601	7	78
JD191012	1	46	JD511004	7	6
JD191021	5	46	JD511010	3	2
JD231200	5	98	JD511209	1	8
JD231201	1	98	JD531004	11	14
JD231402	8	98	JD551400	10	30
JD231403	9	98	JD561004	5	18
JD231600	27	72	JD561006	4	18
JD231601	11	72	JD561011	3	18
JD232804	11	90	JD561204	5	20
JD232805	8	90	JD561413	10	20
JD233150	9	104	JD561415	11	20
JD233349	4	104	JD561416	13	20
JD233350	5	104	JD561423	9	20
JD233351	4	104	JD581001	8	38
JD233352	5	104	JD581203	13	6
JD233353	4	104	JE351033	11	42
JD233354	5	104	JE351203	1	44
JD233355	4	104	JE351204	2	44
JD233356	5	104	JE351257	12	44
JD351206	6	44	JE351403	5	12
JD401003	2	90	JE501053	1	22
JD401004	1	90	JE511049	1a	10
JD401007	4	92	JE511067	4	4
JD401008	1	92	JE511076	5	2
JD401023	7	92	JE511127	1	6
JD401026	7	88	JE511236	14	10
JD401400	6	72	JE511237	3	10
JD402212	17b	94	JE521016	8	10
JD402217	17a	94	JE531001	5	14
JD402239	4	94	JE531036	16	14
JD402240	12	88	JE531047	4	14

# Parts Index



Part Number	Figure No.	Page No.	Part Number	Figure No.	Page No.
JE541028	14	22	JE591201	2	40
JE541038	12	14	JE591255	1	40
JE541074	1	24	JE591280	11	40
JE541211	2	26	JE621003	8	34
JE541212	8	28	JE621004	7	34
JE541281	5	28	JE621206	1	34
JE541287	9	28	JE621403	7	42
JE541291	17	26	JF131806	1	66
JE551200	7	16	JF401400	5	72
JE551201	5	16	JG131219	13	68
JE551202	14	16	JG401036	9	92
JE551205	11	16	JH131850	1	64
JE551206	13	16	JH131891	13	64
JE551215	15	16	JH161031	3	64
JE551215	16	16	JH161032	4	64
JE551434	1	30	JH161035	11	70
JE551435	3	30	JH171017	8	78
JE551438	6	30	JH351602	1	42
JE551439	4	30	JH521007	3	12
JE551440	8	30	JH531003	15	14
JE561005	7	18	JH541015	7	24
JE561006	1	18	JH541021	4	42
JE581027	10	4	JH541207	14	42
JE581037	6	4	JH541210	5	26
JE581041	7	4	JH581202	12	6
JE581094	1	38	JH582200	1	4
JE581100	13	38	JH621400	6	42
JE581218	14	36	JH621407	3	42
JE581223	13	36	JK121007	16	74
JE581247	1	36	JK121009	20	74
JE581412	12	4	JL232817	5	92
JE581416	13	4	JL233255	7	104
JE581431	4	6	JL233256	8	104
JE582402	3	4	JL233269	7	104

# Parts Index



Part Number	Figure No.	Page No.	Part Number	Figure No.	Page No.
JL233270	8	104	JZ511021	1	2
JL233298	7	104	JZ531006	7	14
JL233299	8	104	JZ541005	2	24
JL233310	7	104	JZ541214	13	26
JL233311	8	104	JZ551004	20	16
JL402004	18	94	JZ551008	9	16
JL541227	9	26	JZ551010	1	16
JL581066	2	4	JZ551202	2	16
JN131203	6	68	JZ551210	10	16
JN131812	16	68	JZ551211	12	16
JN171000	5	80	JZ551213	6	16
JN351604	12	94	JZ561002	6	18
JV541208	6	26	JZ571000	1	32
JW131807	11	66	JZ571001	5	32
JW171006	9	76	KACA0516	2	78
JW171007	4	76	KACf0830	5	74
JW171014	1	76	KADA0618	10	46
JW171015	2	76	KADD0612	22	56
JW171016	6	76	KADF0620	9	44
JW402001	10	44	KADF0620	5	90
JW402202	16	94	KADF0620	10	90
JW531004	13	14	KADF0630	14	4
JW561206	2	20	KADF0822	10	98
JW561208	3	20	KAED0612	10	54
JY581028	8	4	KAED0612	22	70
JZ113042	9	40	KAED0620	5	6
JZ113062	5	54	KAED0625	2	42
JZ113068	6	54	KAEF0650	15	22
JZ131012	1	60	KAEG0614	5	4
JZ131206	2	60	KBBA0408	3a	62
JZ131813	17	68	KBBC0608	13	42
JZ161028	9	72	KBRC3513	5	52
JZ171829	11	78	KBUA0514	2	92
JZ191011	3	46	KCGA0505	10	78

