

pulsar P150



THE WORLD'S
FAVOURITE
INDIAN

pulsar P150

Bajaj Auto Limited

Akurdi, Pune - 411 035. India.

Tel : +91 20 27472851

Fax : +91 20 27407385

Customer Care : +91 7219821111

Website : www.bajajauto.com

CIN L65993PN2007PLC130076

Spare Parts Catalogue



Notice

pulsar P150

All information contained in this manual is based on the latest product information at the time of publication. Bajaj Auto Limited accepts no liability for any inaccuracies or omissions in this publication, although every possible care has been taken to make it as complete and accurate as possible. All procedures and specifications subject to change without prior notice. The right is reserved to make such changes at any time without prior notice and without incurring an obligation to make such changes to product manufactured previously. Contact your authorized Bajaj Dealer for the latest information on product improvements incorporated after this manual was issued.

DOC. NO.: 71120192

REV. 00 NOV 22

Copy rights : All rights reserved. No part of this publicatin may be reproduced, stored in a retrival system, Or transmitted in any form or by any means, electronic mechanical photocopying, recording or otherwise, without the prior written permission of Bajaj Auto LTD.

We have pleasure in presenting the Spare Parts Catalogue for 'Pulsar P 150' Motorcycle. This catalogue has been specially designed to assist you in selecting the correct parts for procurement to maintain 100% availability.

The Bajaj spares are subjected to the stringent quality control standards to ensure longer life of the vehicle. It is therefore necessary that only the Genuine Bajaj Spares are used.

In a continual effort to improve Performance and Efficiency of the vehicles, Specifications, Diagrams, Illustrations and Part Numbers can change without notice. Consequently, the description in this Spare Parts Catalogue cannot therefore be final and binding on us.

The modifications / alterations which are carried out after the issue of this catalogue, will be conveyed to you through our Service Circulars. You are requested to make necessary corrections in the Parts Catalogue as per the circulars so as to keep your catalogue up-to-date. This will ensure the appropriate and speedy delivery of the Spare Parts as the order placed will bear the latest part numbers.

In case, if you need any technical assistance contact the concerned Regional Office or write to us on the following address :

Bajaj Auto Limited
Service Department
Akurdi, Pune 411 035 India

1. How to Read the Catalogue : Open the catalogue and from the pictorial index locate the group in which the part you want to find is present. Turn over to the concerned page number (as given by pictorial index). Now find out the figure of the part you wish to order. Write down the part number against that particular figure number from the text.

In case, if you have the part number and you need the other details, the part index can be used. The part index (at the end of the catalogue) will give you the figure and page number of the part you wish to order.

2. How to Order Spare Parts : The part number and the description of the part required should be invariably mentioned in the order as per the catalogue text.

The latest part number as conveyed through our service circulars should only appear on the order. In case of ordering painted components, colour shade of the components should be mentioned.

The quantity shown against the part number is the quantity per vehicle for that group so that particular quantity should be multiplied by the number of sets required.

3. Part Number System : We have used 8 digit system for part numbers. The model or hardware item is indicated by first two digits or alphanumeric, the next two or four digits indicate main group and the last four or two digits indicate serial number in main group or serial number or subgroup of fastener respectively. Thus the part numbers will be indicated by 2-2-4 or 2-4-2 digit system. Understanding this system will enable you to identify the spare parts easily.

4. Abbreviations : The following abbreviations are used in this catalogue.

Assly	Assembly	V	Volts
N.I.	Not illustrated	W	Watts
C'case	Crankcase	Accl.	Accelerator
Cyl	Cylinder	Comp.	Complete
O/s	Over size	Fr.	Front
Rr.	Rear	Std.	Standard
L	Length	A/t.	Alternate
R.H.	Right hand	L.H.	Left hand
Hex.	Hexagonal	AR	As required

Plate No.	Description	Page No.
1	Cover Cylinder Head	2
2	Cylinder Head	4
3	Valve	6
4	Camshaft	8
5	Cylinder and Piston	10
6	Crankshaft / Balancer Idler Gear	12
7	Transmission	14
8	Change Drum / Shift Fork	16
9	Gear Change Mechanism	18
10	Engine Assembly / Crankcase LH	20
11	Crankcase RH	22
12	Oil Pump	24
13	Cover Clutch	26
14	Cover Magneto	28
15	Kick starter Mechanism	30
16	Clutch Assembly	32
17	Throttle Body - For Mikuni System	34
18	Throttle Body - For Varroc System	36
19	Air Cleaner Complete	38
20	EVAP Mechanism	40
21	Silencer Assembly	42
22	Magneto & Starter Motor	44
23	H.T. Coil	46
24	Seat Assembly / Seat Lock	48
25	Split Seat Assembly / Seat Lock	50
26	Frame & Frame Fittings	52 - 54
27	Swing Arm / Rear Shock Absorber & Chain Case	56 - 58
28	Foot Rest & Step Holder - Twin Disc	60 - 62
29	Foot Rest & Step Holder - Single Disc	64 - 66
30	Mudguard - Front & Rear	68

Plate No.	Description	Page No.
31	Parking Stands	70
32	Tube, Tyre	72
33	Front Wheel Hub	74
34	Rear Wheel Hub	76 - 78
35	Rear Brake Panel - Drum Brake	80
36	Front Master Cylinder - Disc Brake	82
37	Front Caliper Assembly - Disc Brake	84
38	Rear Disc Brake Assembly	86
39	Rear Brake Pedal - Drum Brake	88
40	Rear Brake Pedal - Rear Disc Brake (Twin Disc)	90
41	Anti Lock Braking System	92
42	Handle Bar Assembly - Single Handle Bar	94 - 96
43	Handle Bar Assembly - Split Handle Bar	98 - 100
44	Front Fork	102 - 104
45	Petrol Tank and Lock Set	106
46	Tank Flaps LH	108
47	Head Lamp & Front Fairing	110 - 112
48	Fittings - Side Covers & Cover Seat	114
49	Belly Pan	116
50	Speedometer Assembly	118
51	Control Cables	120
52	Indicator Light & Tail Lamp	122
53	Wiring Harness / ECU / Battery	124
54	Other Electric Equipment	126
55	Tool Kit	128
56	Accessories / Grab Handle	130
57	Painted Parts and Decals	132 - 136
58	Consumable Parts	138 - 140
	Kits List	141 - 146
	Part Index	147 - 168

Pictorial Index

pulsar P150

PLATE NO. : 1
COVER CYLINDER HEAD

PAGE NO.
1

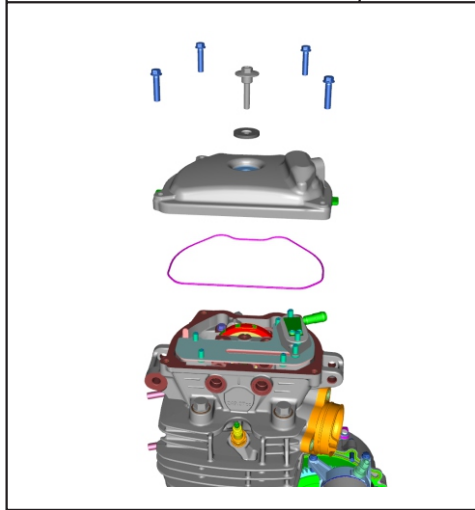


PLATE NO. : 2
CYLINDER HEAD

PAGE NO.
3

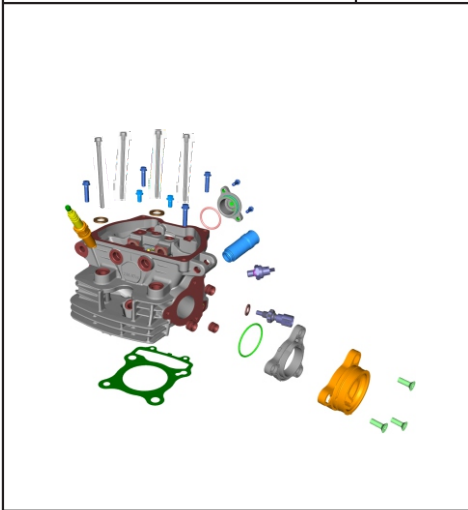


PLATE NO. : 3
VALVE

PAGE NO.
5

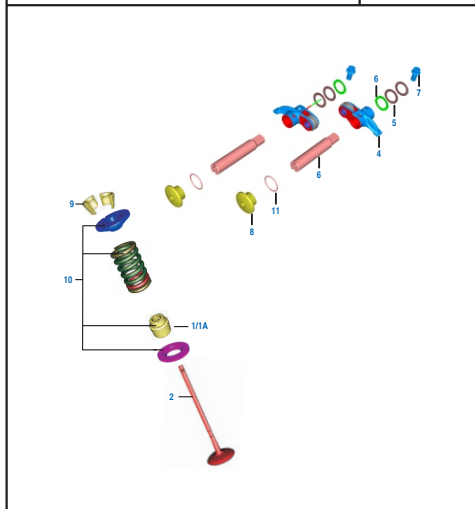
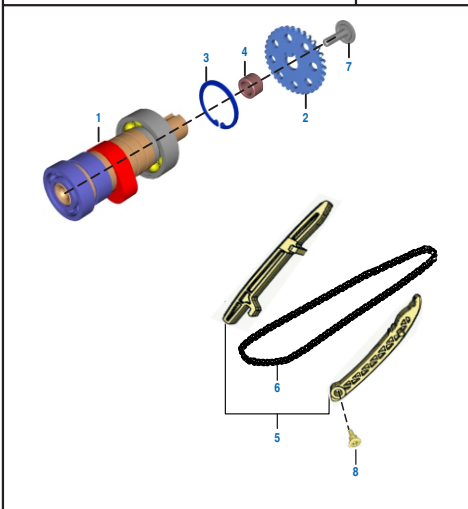


PLATE NO. : 4
CAMSHAFT

PAGE NO.
7



Pictorial Index

pulsar P150

PLATE NO. : 5
CYLINDER & PISTON

PAGE NO.
9

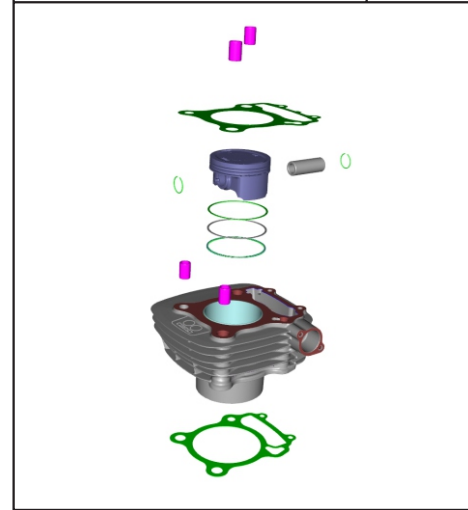


PLATE NO. : 6
CRANKSHAFT / BALANCER IDLER GEAR

PAGE NO.
11

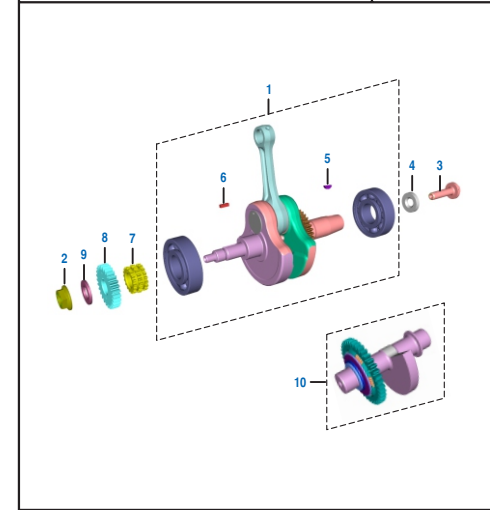


PLATE NO. : 7
TRANSMISSION

PAGE NO.
13

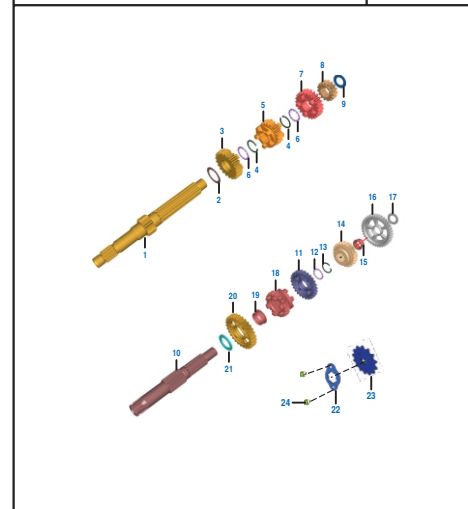
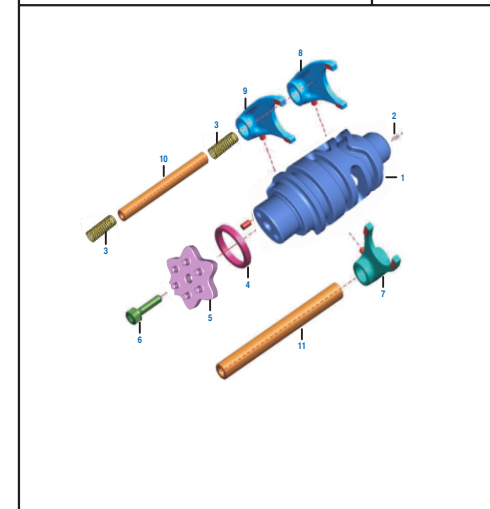


PLATE NO. : 8
CHANGE DRUM / SHIFT FORK

PAGE NO.
15



Pictorial Index



PLATE NO. : 9
GEAR CHANGE MECHANISM

PAGE NO.
17

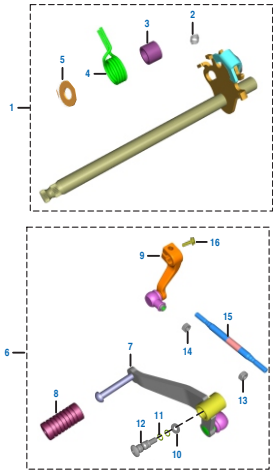


PLATE NO. : 10
ENGINE ASSLY & CRANKCASE LH

PAGE NO.
19

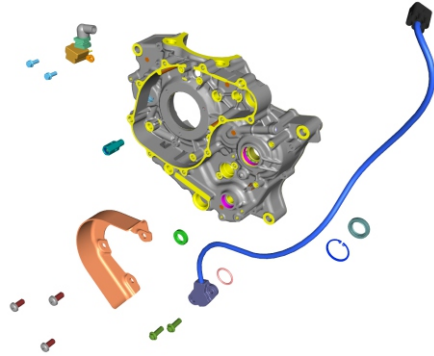


PLATE NO. : 11
CRANKCASE RH

PAGE NO.
21

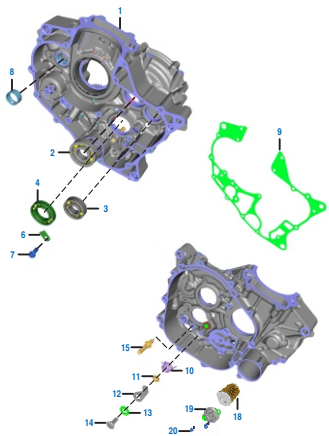
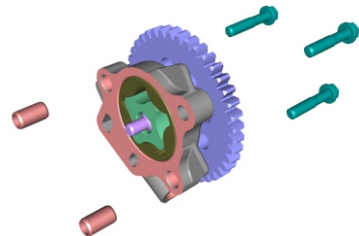


PLATE NO. : 12
OIL PUMP

PAGE NO.
23



Pictorial Index



PLATE NO. : 13
COVER CLUTCH

PAGE NO.
25

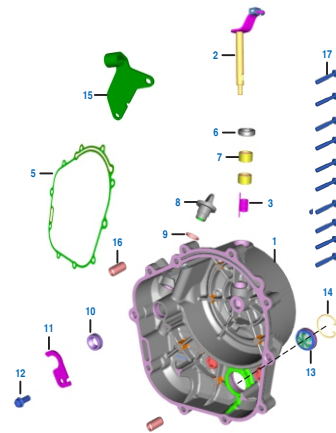


PLATE NO. : 14
COVER MAGNETO

PAGE NO.
27

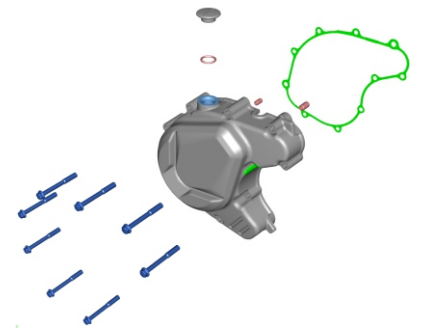


PLATE NO. : 15
KICK STARTER MECHANISM

PAGE NO.
29

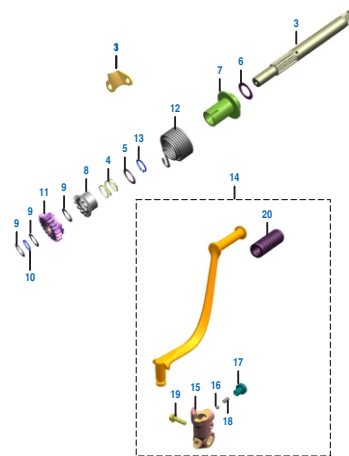
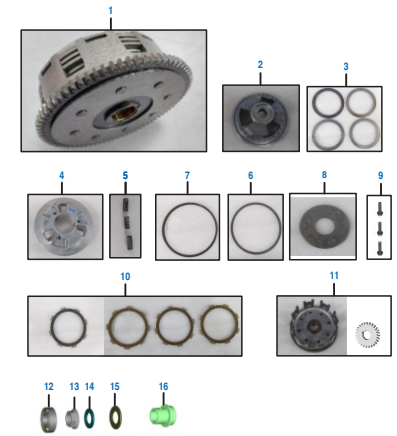


PLATE NO. : 16
CLUTCH ASSEMBLY

PAGE NO.
31



Pictorial Index



PLATE NO. : 17
THROTTLE BODY-FOR MIKUNI SYSTEM

PAGE NO.
33

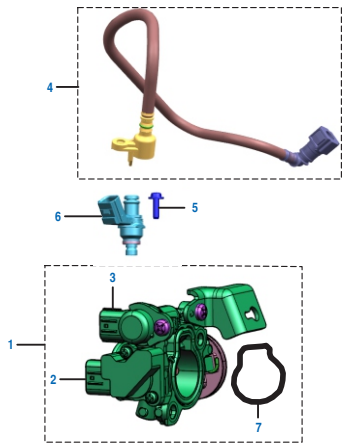


PLATE NO. : 18
THROTTLE BODY-FOR VARROC SYSTEM

PAGE NO.
35

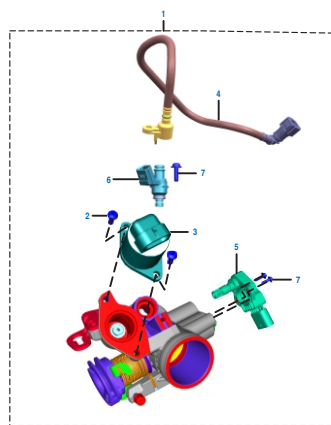


PLATE NO. : 19
AIR CLEANER COMPLETE

PAGE NO.
37

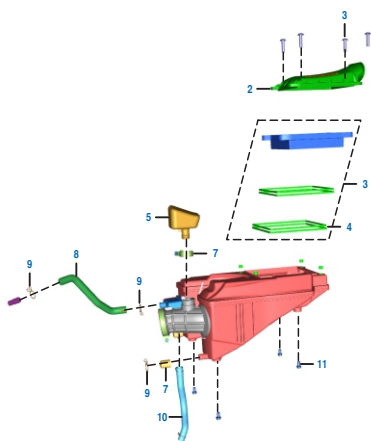
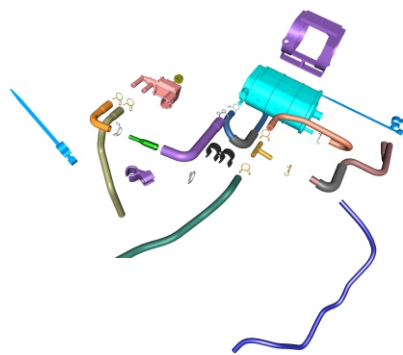


PLATE NO. : 20
EVAP MECHANISM

PAGE NO.
39



Pictorial Index



PLATE NO. : 21
SILENCER ASSEMBLY

PAGE NO.
41

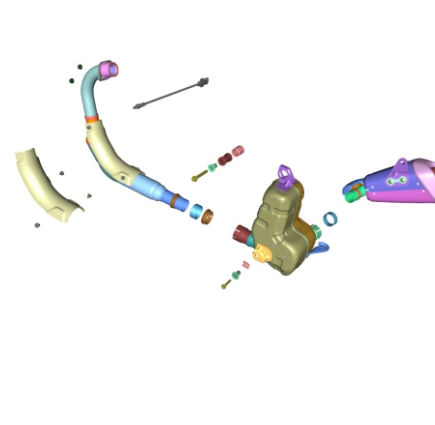


PLATE NO. : 22
MAGNETO & STARTER MOTOR

PAGE NO.
43

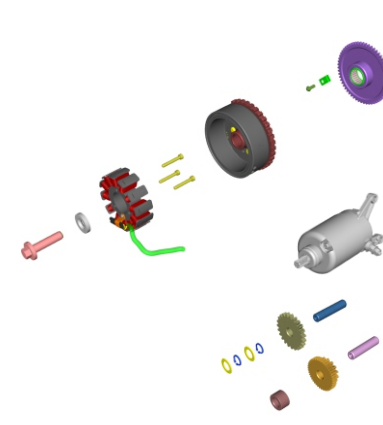


PLATE NO. : 23
H.T. COIL

PAGE NO.
45

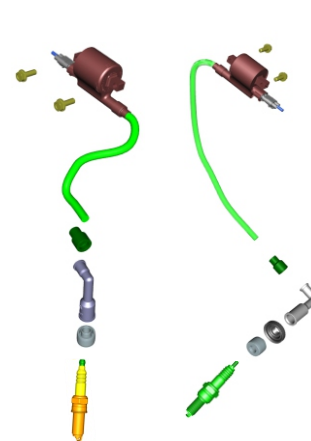
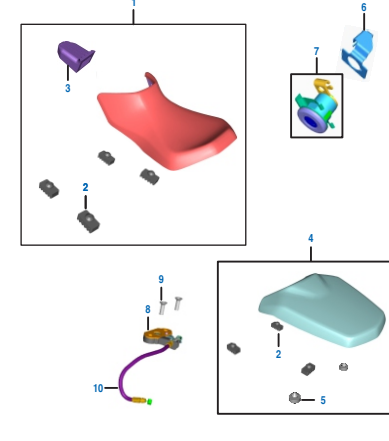


PLATE NO. : 24
SEAT ASSEMBLY / SEAT LOCK

PAGE NO.
47



Pictorial Index



PLATE NO. : 25
SPLITE SEAT ASSEMBLY / SEAT LOCK

PAGE NO.
49

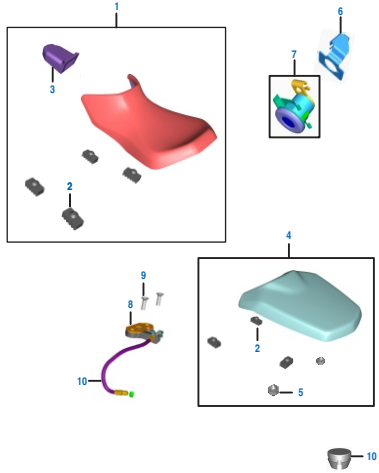


PLATE NO. : 26
FRAME & FRAME FITTINGS

PAGE NO.
51 - 53

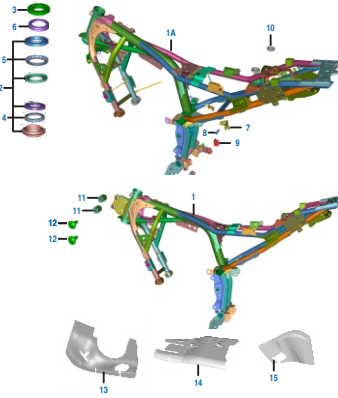


PLATE NO. : 27
SWING ARM, REAR SHOCK ABSORBER
& CHAIN CASE

PAGE NO.
55 - 57

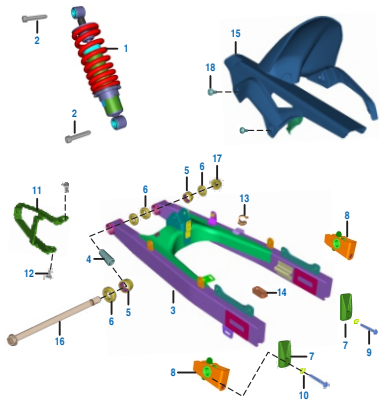
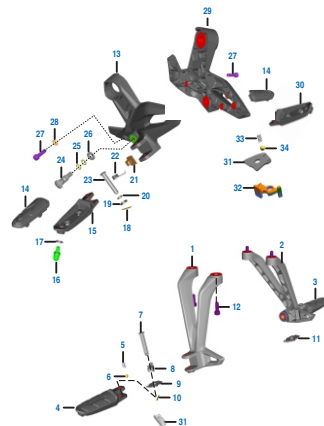


PLATE NO. : 28
FOOT REST & STEP HOLDER - TWIN
DISC

PAGE NO.
59 - 61



Pictorial Index



PLATE NO. : 29
FOOT REST & STEP HOLDER - SINGLE
DISC

PAGE NO.
63 - 65

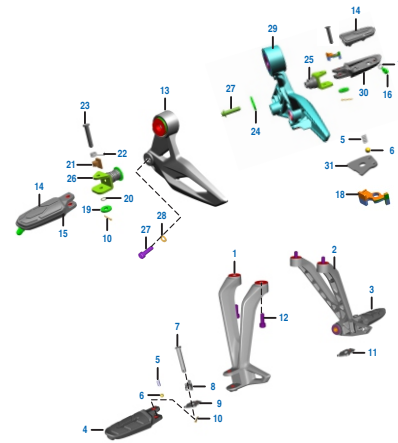


PLATE NO. : 30
MUDGUARD - FRONT & REAR

PAGE NO.
67

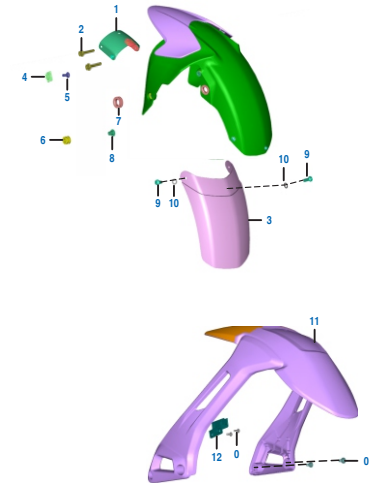


PLATE NO. : 31
PARKING STANDS

PAGE NO.
69

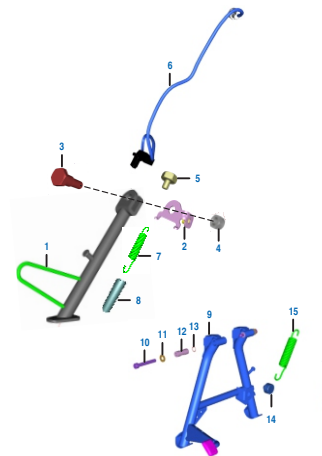


PLATE NO. : 32
TUBE, TYRE, RIM

PAGE NO.
71



Pictorial Index



PLATE NO. : 33
FRONT WHEEL HUB

PAGE NO.
73

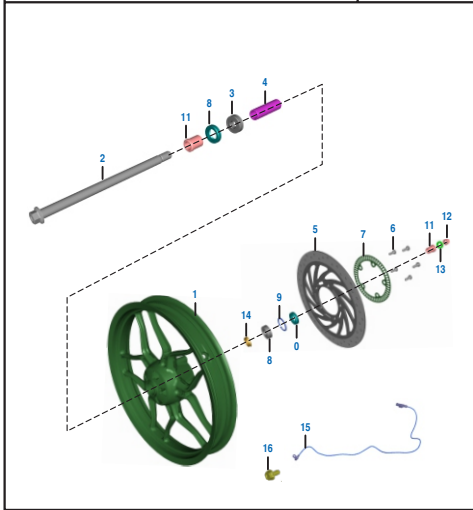


PLATE NO. : 34
REAR WHEEL HUB

PAGE NO.
75 - 77

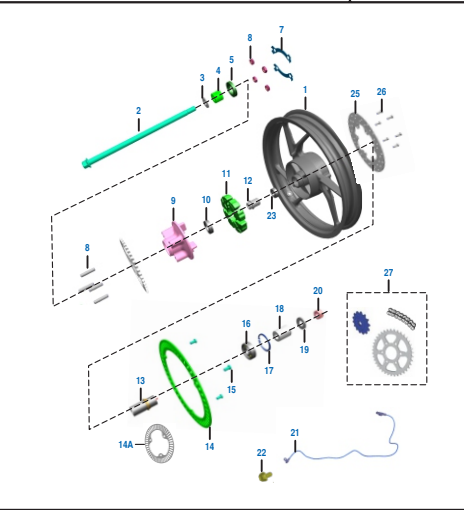


PLATE NO. : 35
REAR BRAKE PANEL - DRUM BRAKE

PAGE NO.
79

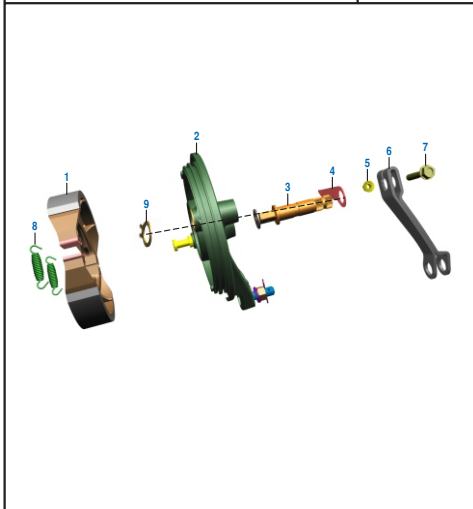
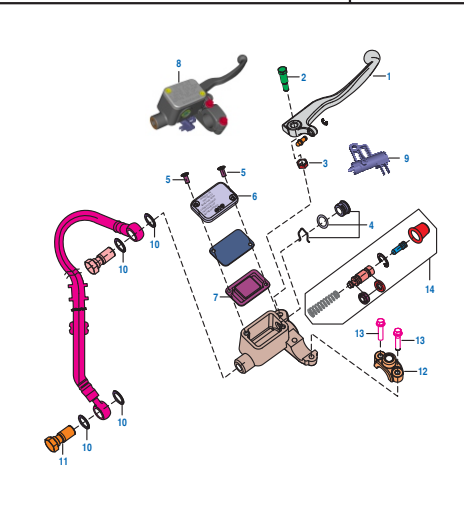


PLATE NO. : 36
FRONT MASTER CYLINDER - DISC BRAKE

PAGE NO.
81



Pictorial Index



PLATE NO. : 37
FRONT CALIPER ASSEMBLY - DISC BRAKE

PAGE NO.
83

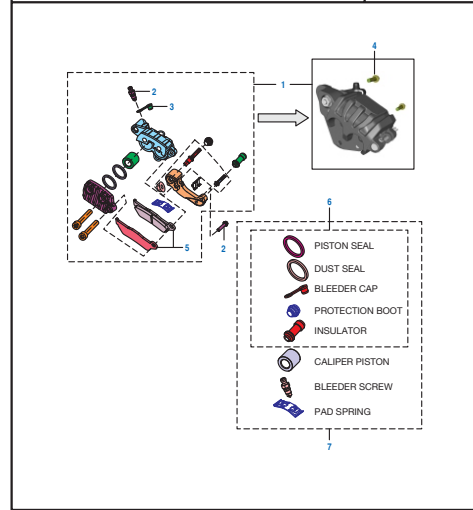


PLATE NO. : 38
REAR DISC BRAKE ASSEMBLY

PAGE NO.
85

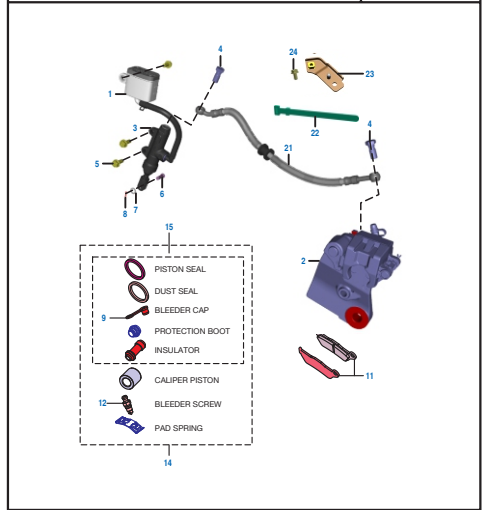


PLATE NO. : 39
REAR BRAKE PEDAL - DRUM BRAKE

PAGE NO.
87

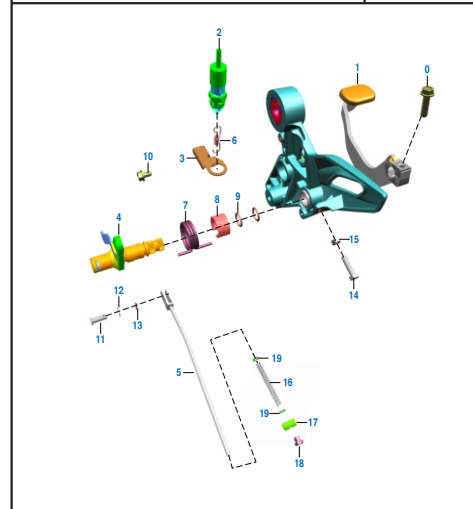
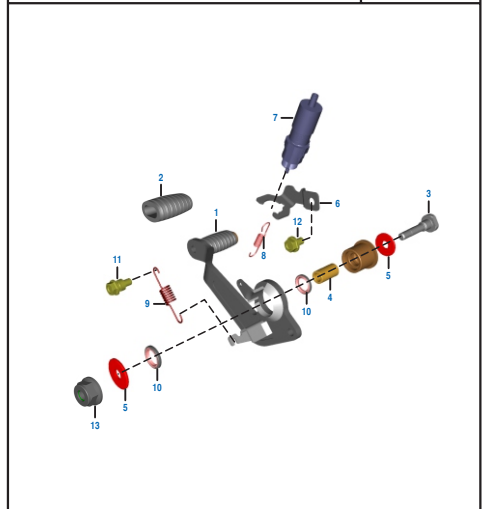


PLATE NO. : 40
REAR BRAKE PEDAL - REAR DISC BRAKE (TWIN DISC)

PAGE NO.
89



Pictorial Index



PLATE NO. : 41 ANTILOCK BRAKING SYSTEM	PAGE NO. 91	PLATE NO. : 42 HANDLE BAR ASSEMBLY - SINGLE HANDLE BAR	PAGE NO. 93 - 95

PLATE NO. : 43 HANDLE BAR ASSEMBLY - SPLIT HANDLE BAR	PAGE NO. 97 - 99	PLATE NO. : 44 FRONT FORK	PAGE NO. 101 - 103

Pictorial Index



PLATE NO. : 45 PETROL TANK, & LOCK SET	PAGE NO. 105	PLATE NO. : 46 TANK FLAPS LH	PAGE NO.7 107

PLATE NO. : 47 HEAD LAMP & FRONT FAIRING	PAGE NO. 109 - 111	PLATE NO. : 48 FITTINGS - SIDE COVERS & COVER SEAT	PAGE NO. 113

Pictorial Index



PLATE NO. : 49 BELLY PAN	PAGE NO. 115
-----------------------------	-----------------

PLATE NO. : 50 SPEEDOMETER ASSEMBLY	PAGE NO. 117
--	-----------------

PLATE NO. : 51 CONTROL CABLES	PAGE NO. 119
----------------------------------	-----------------

PLATE NO. : 52 INDICATOR LIGHT & TAIL LAMP	PAGE NO. 121
---	-----------------

Pictorial Index



PLATE NO. : 53 WIRING HARNESS / ECU / BATTERY	PAGE NO. 123
--	-----------------

PLATE NO. : 54 OTHER ELECTRIC EQUIPMENT	PAGE NO. 125
--	-----------------

PLATE NO. : 55 TOOL KIT	PAGE NO. 127
----------------------------	-----------------

PLATE NO. : 56 ACCESSORIES / GRAB HANDLE	PAGE NO. 129
---	-----------------

Pictorial Index



PLATE NO. : 57
PAINTED PARTS & DECALS

PAGE NO.
131 - 135

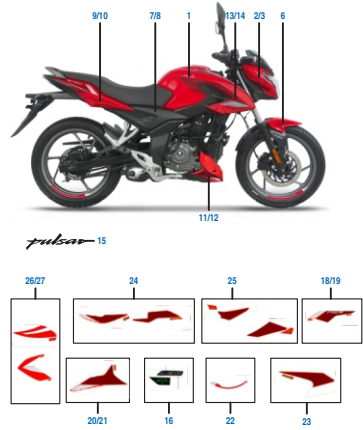


PLATE NO. : 58
CONSUMABLE PARTS

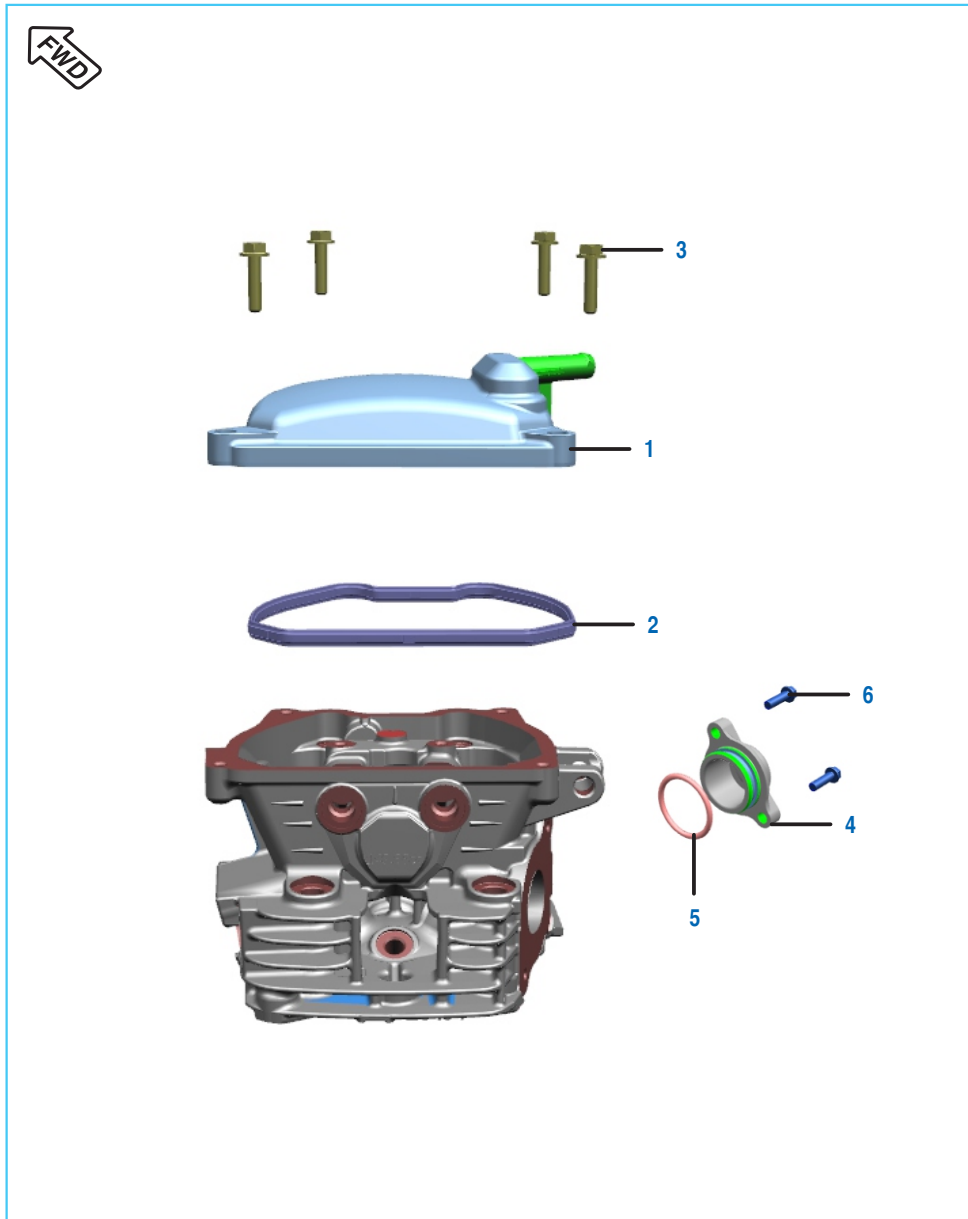
PAGE NO.
137 - 139



Pictorial Index

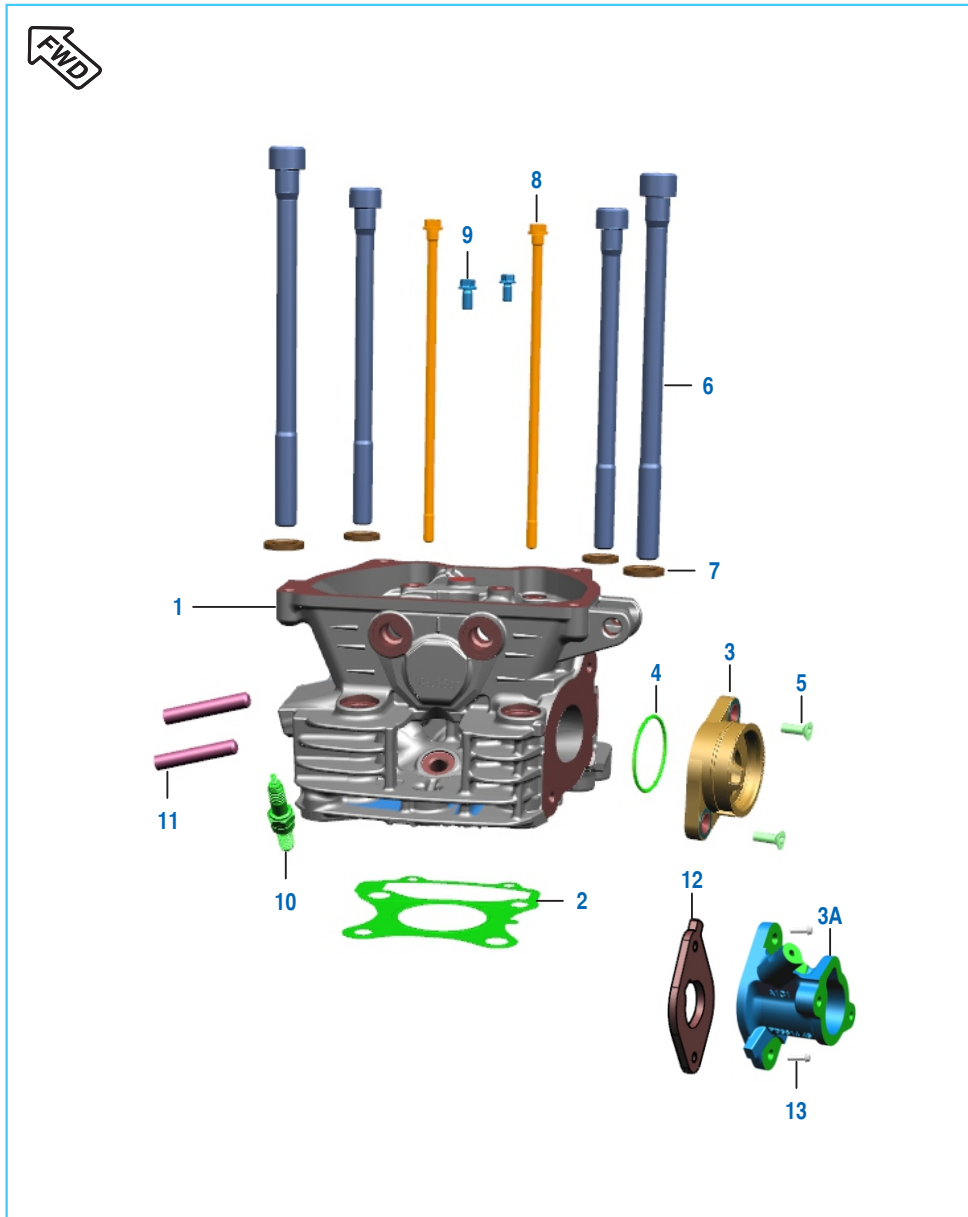


Cover Cylinder Head



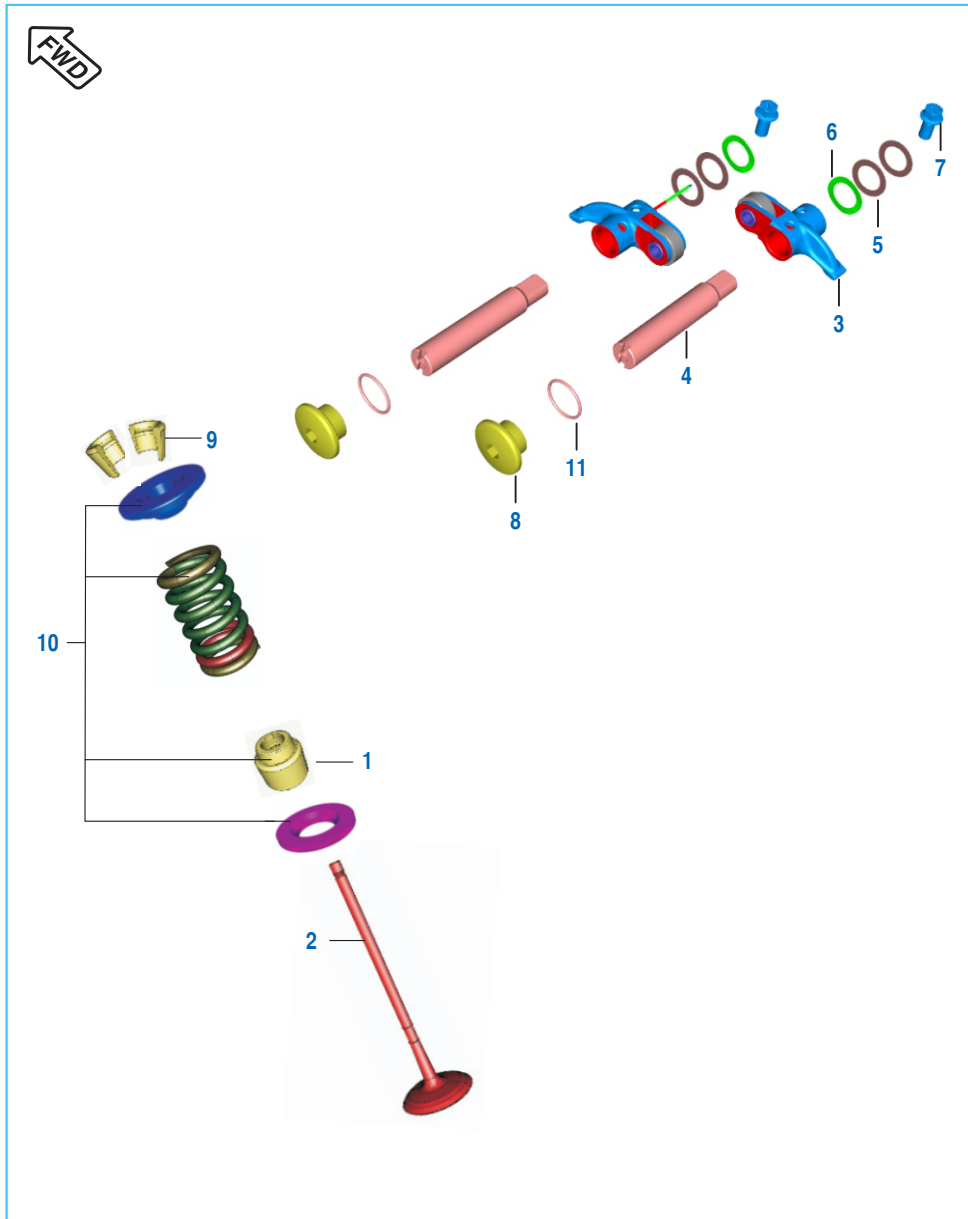
No.	Part No.	Description	Qty.	Remarks
1	PD511576	Cover Assy Head Cylinder	1	
2	PD511573	Gasket Cover Head Cylinder	1	
3	KADD0625	Bolt Flanged M6x1	4	
4	52PD1621	Cap Cam Sprocket With O' Ring	1	
5	KJAC3535	O Ring	1	
6	KAED0620	Bolt	2	

Cylinder Head



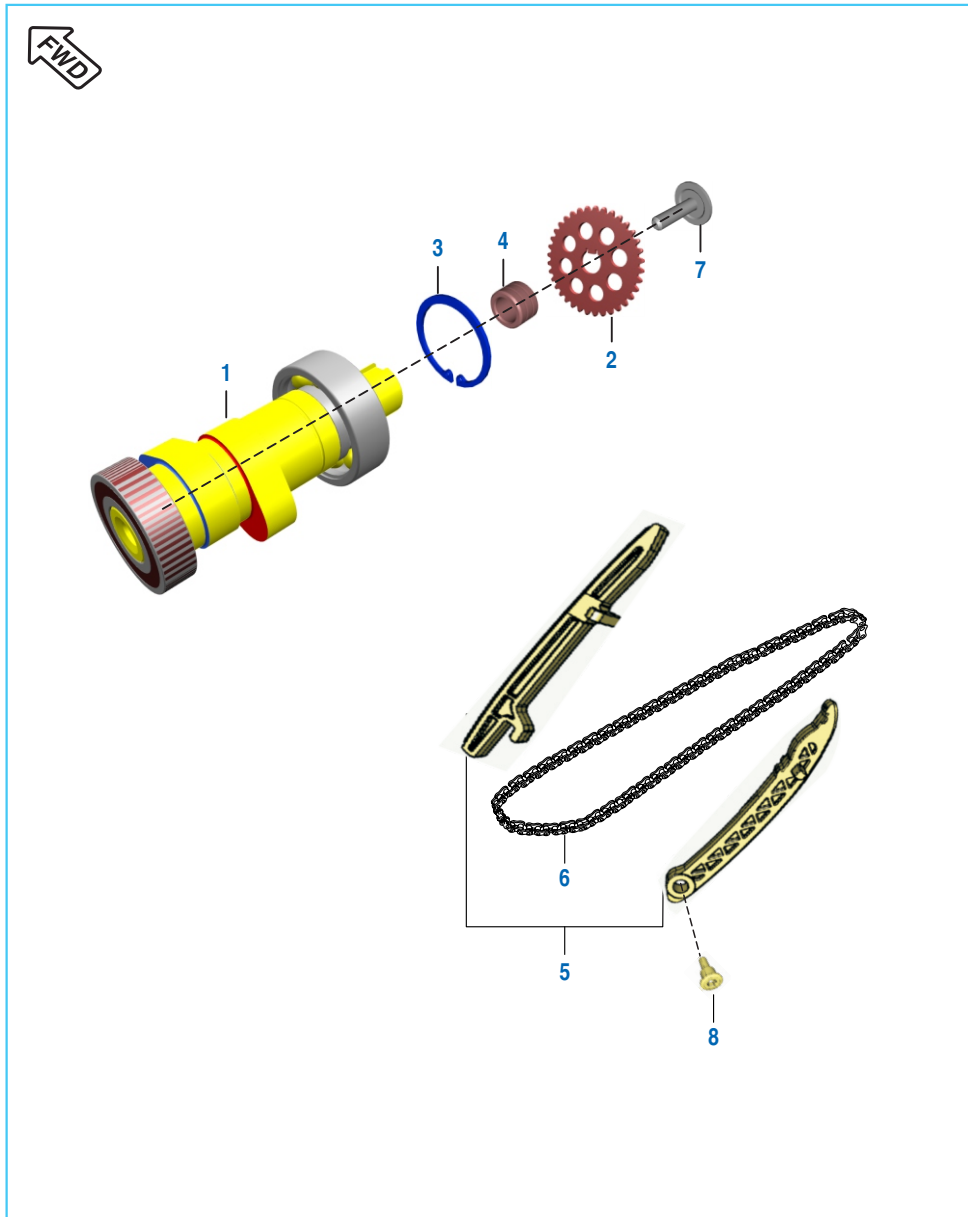
No.	Part No.	Description	Qty.	Remarks
1	PD511195	Head Cylinder	1	
2	PD511625	Gasket Head Cylinder	1	For Varroc system
	PD511502	Gasket Head Cylinder	1	For Mikuni system
3	PD581404	Pipe Intake	1	For Varroc System
3A	56JRX1X9	Manifold Intake	1	For Mikuni System
4	JG581407	Ring O	1	
5	LBC00003	Screw	2	
6	LAC00213	Bolts	4	
7	LDA00014	Washer	4	
8	LAE00043	Bolt	2	
9	Dp201031	Bolt	2	
10	DK111028	Plug Spark	2	
11	39166005	Stud-M8	2	
12	PD581444	Insulator	1	For Mikuni System
13	KAED0622	Bolt Flanged M6X1	2	For Mikuni System

Valve



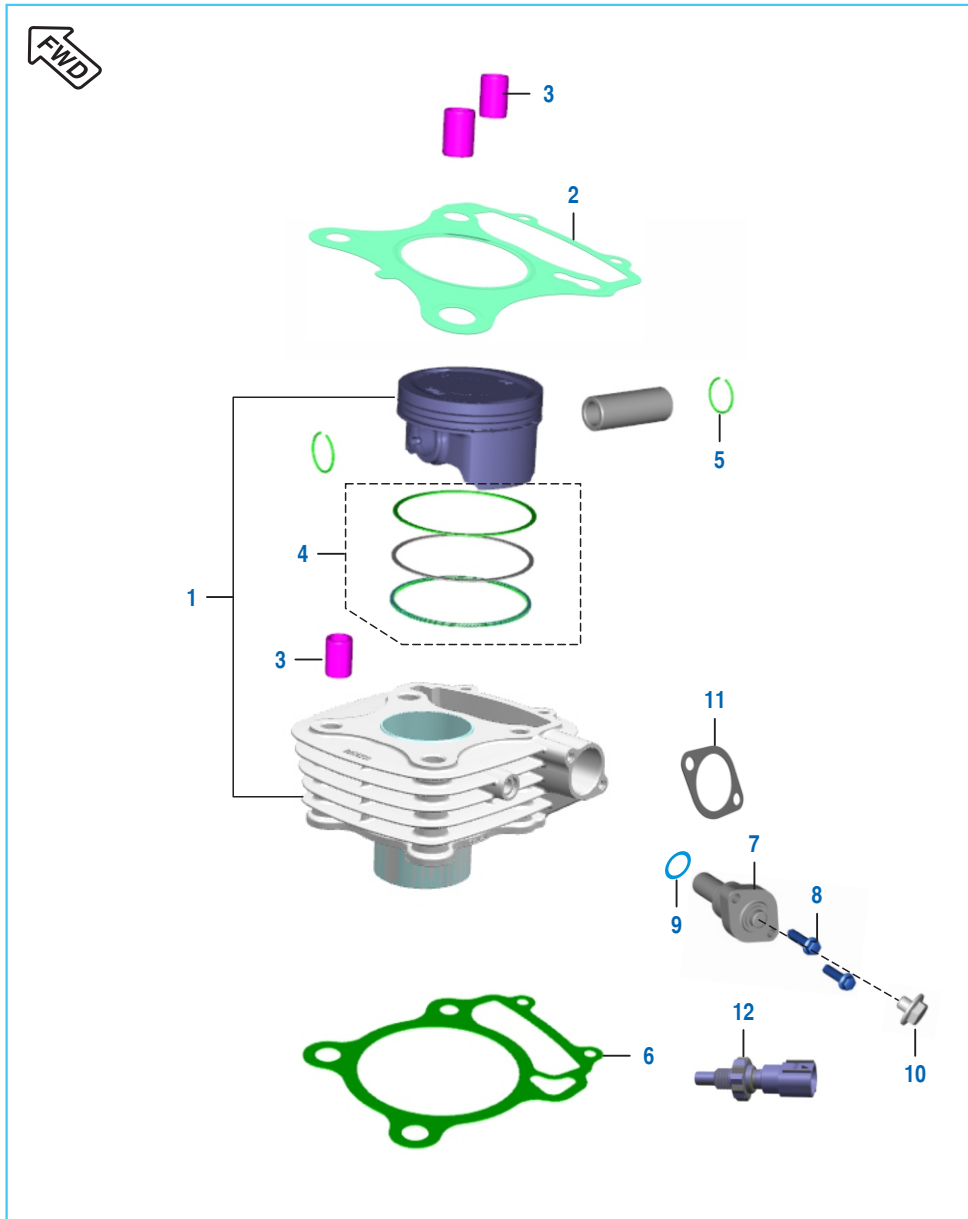
No.	Part No.	Description	Qty.	Remarks
1	CB101009	Seal Stem Valve	2	
2	36JR0129	Kit Valve	1	
3	PD511218	Rocker Arm Assembly	2	
4	PD511317	Shaft Rocker Arm	2	
5	39244011	Washer Plain	4	
6	DH101295	Wave Washer	2	
7	DP201031	Bolt Flanged M6x1	2	
8	PD511085	Plug Shaft Rocker	2	
9	CB101022	Cotter Valve	4	
10	36JR0131	Kit Valve Repair	1	
11	LJA00037	Ring O	2	

Camshaft



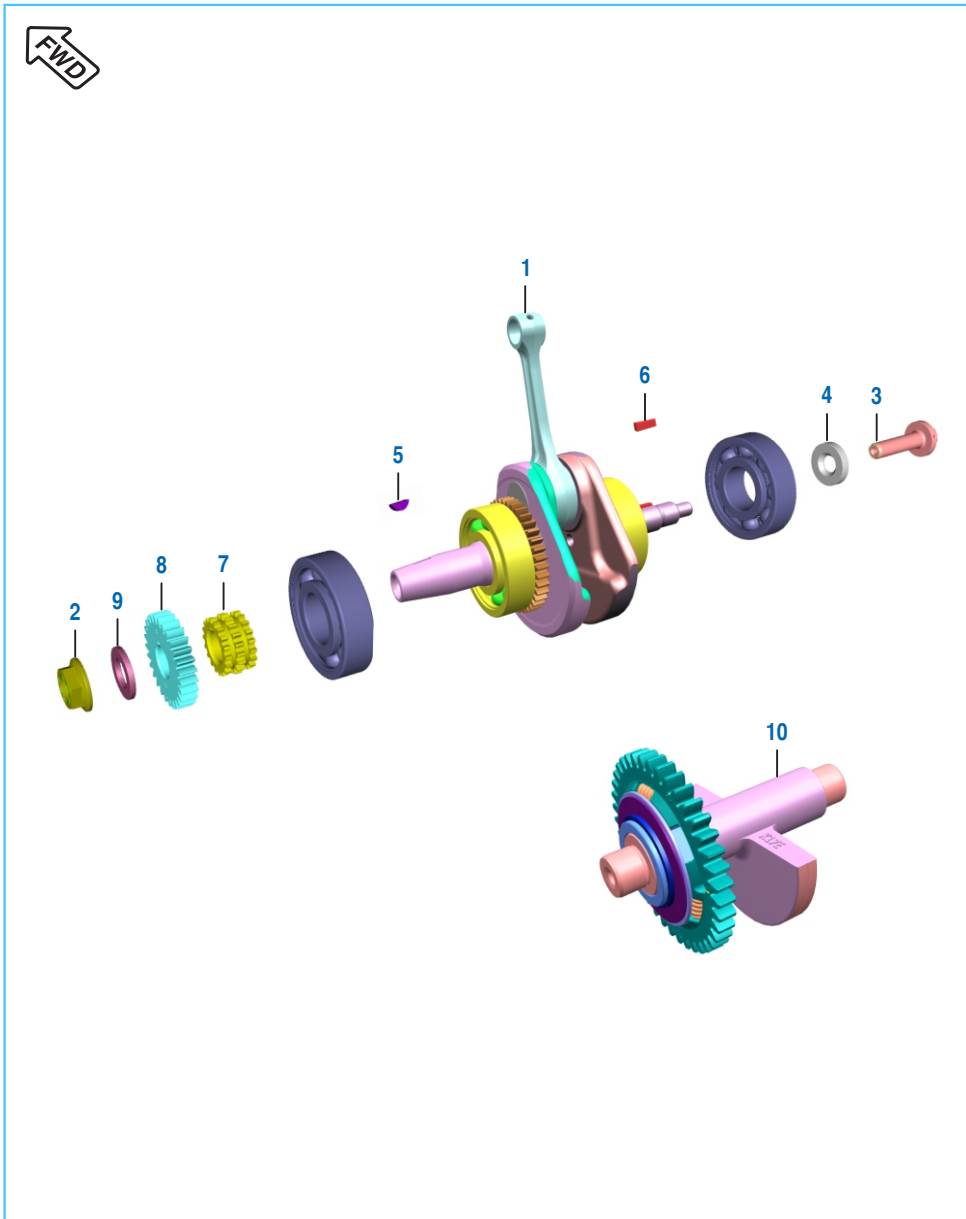
No.	Part No.	Description	Qty.	Remarks
1	PD511216	Camshaft Assembly	1	
2	JE511234	Sprocket Camshaft	1	For Borgwarner Make
	JE511271	Sprocket Camshaft	1	For LGB make
3	KEBB3515	Circlip Internal	1	
4	PD511193	Spacer Camshaft	1	
5	36JR0098	Kit Cam Chain Guide	1	
6	PD511084	Chain	1	For Borgwarner Make
	DH103758	Chain	1	For LGB make
7	LAD00230	Bolt Special Flanged	1	
8	DH101392	Chain Guide Pivot Bolt	1	

Cylinder and Piston



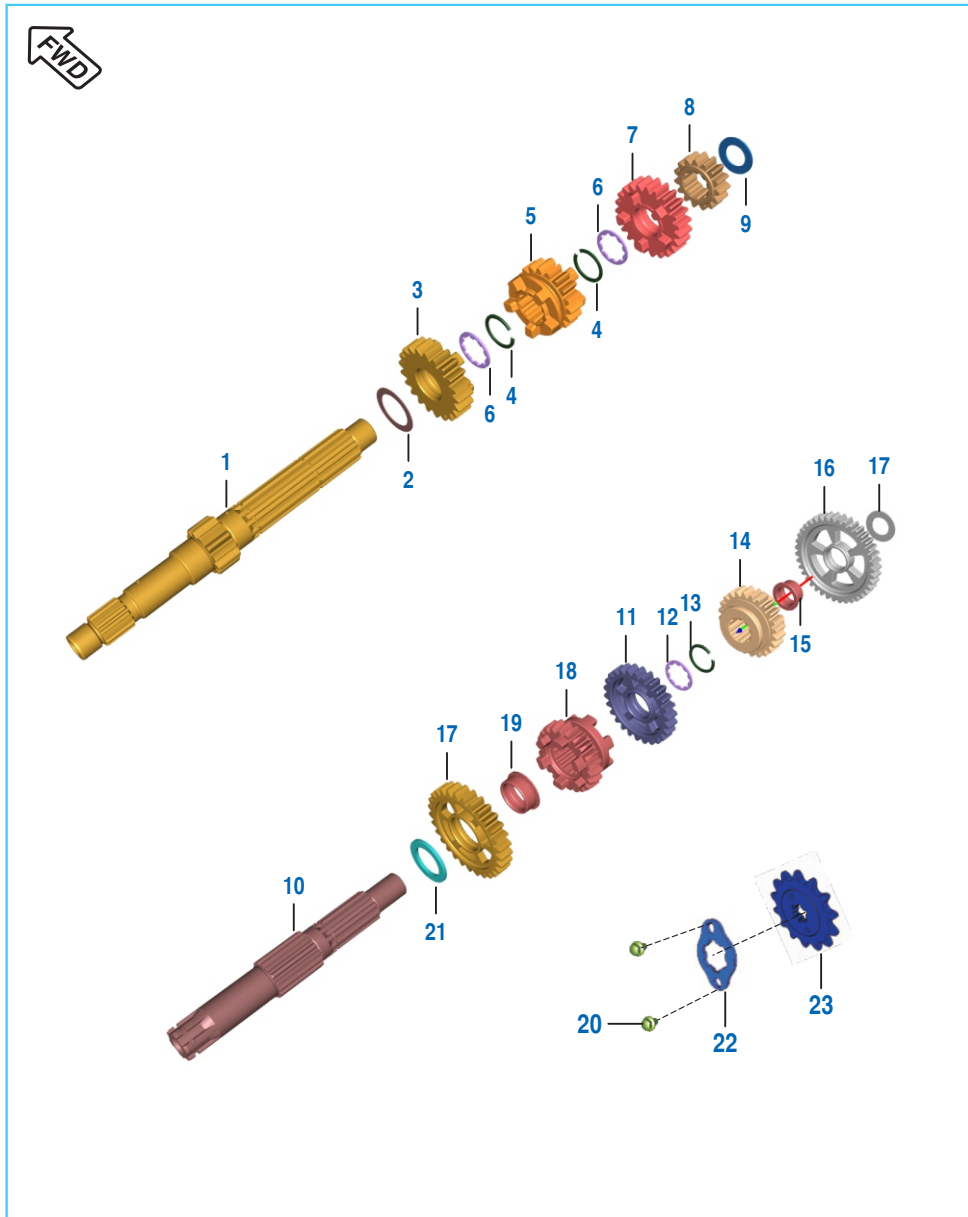
No.	Part No.	Description	Qty.	Remarks
1	36JR0128	Kit Block Piston	1	
2	PD511625	Gasket Head Cylinder	1	For Varroc system
	PD511502	Gasket Head Cylinder	1	For Mikuni system
3	39218106	Pin Dowel	4	
4	36DH4102	Piston Ring Set	1	
5	DH101671	Circlip	2	
6	PD521005	Gasket Block Cylinder	1	
7	JC101034	Tensioner Assembly	1	
8	KAED0620	Bolt Flange Small-m6	2	
9	39266921	O-Ring	1	
10	JG511270	Bolt Flanged M6x1	1	
11	CS101128	Gasket	1	
12	JE351407	Engine Temperature Sensor	1	

Crankshaft / Balancer Idler Gear



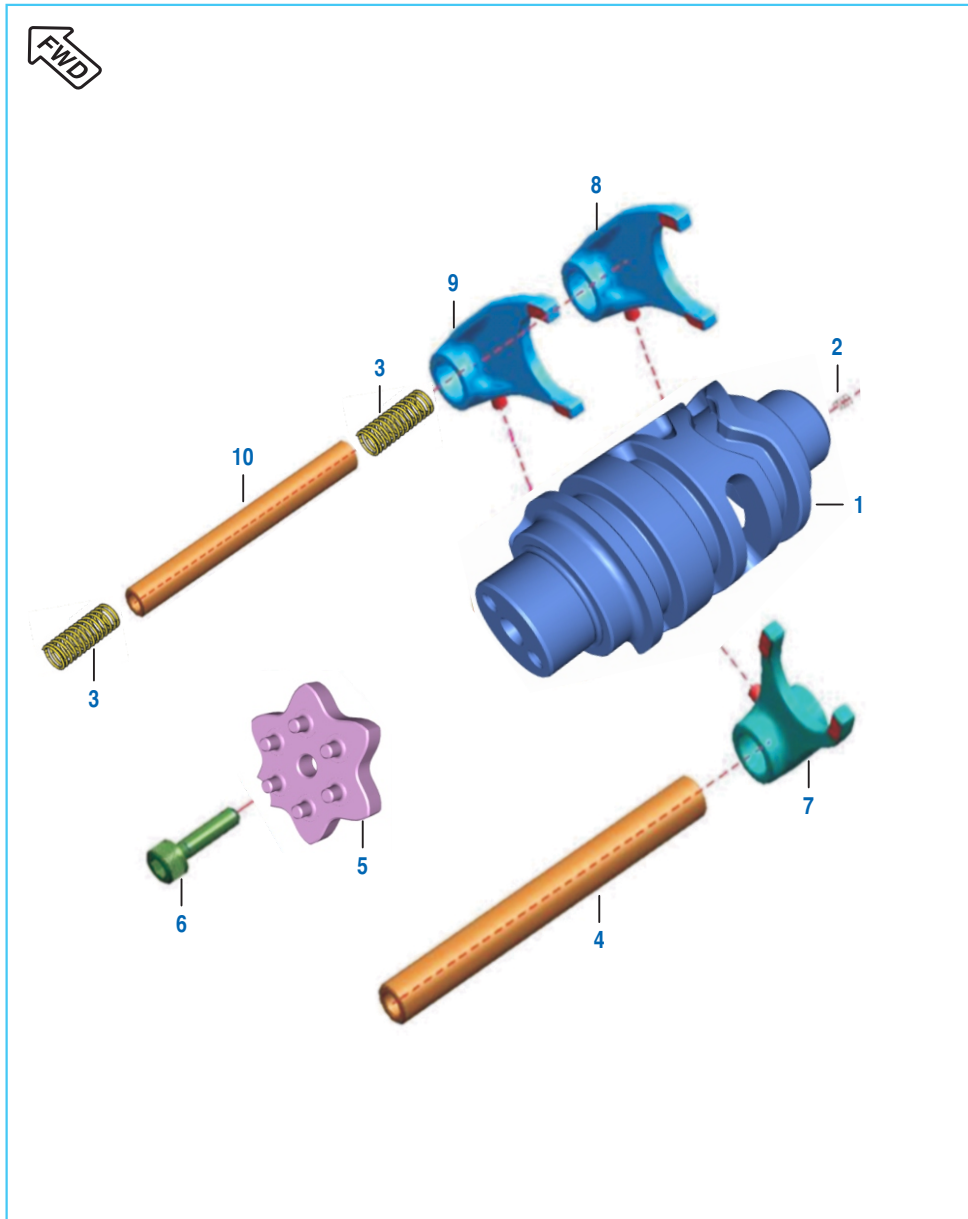
No.	Part No.	Description	Qty.	Remarks
1	PD531022	Crankshaft Assembly	1	
2	LCG00002	Nut Hex FI-m16x1.5xht.10	1	
3	PD531052	Bolt Flanged M12x1.5	1	
4	LDB00091	Washer Plain	1	
5	KFAB4050	Key Woodruff	1	
6	LFB00001	Key Sunk	1	
7	PD531046	Sprocket Crankshaft	1	ForBorgwarner Make
	PD531013	Sprocket Crankshaft	1	For LGB Make
8	36JR0100	Kit Primary Drive & Clutch Housing	1	
9	JY531008	Washer Plain	1	
10	PD531204	Balancer Assembly	1	

Transmission



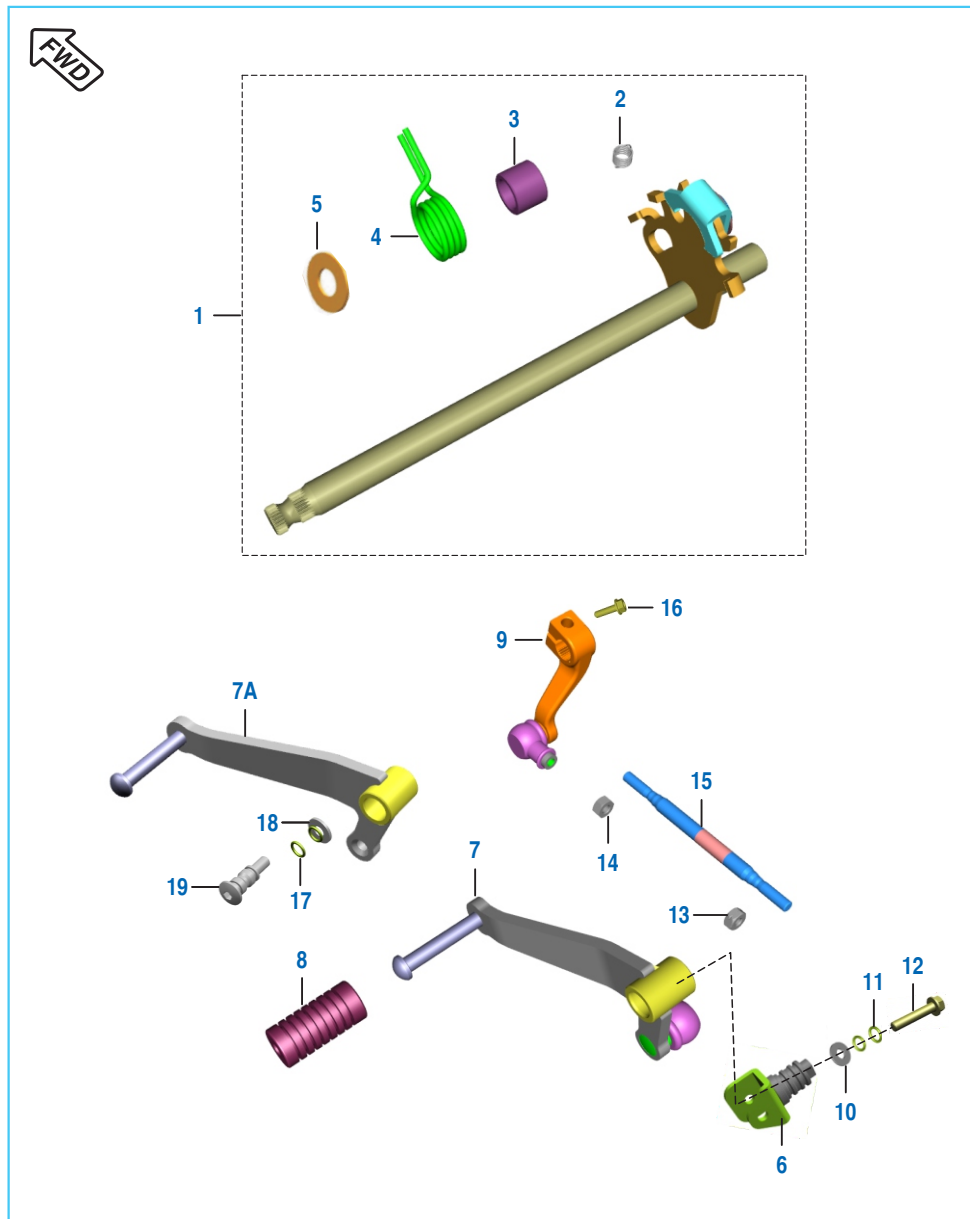
No.	Part No.	Description	Qty.	Remarks
1	PD551056	Shaft Assembly Input	1	
2	PD551257	Washer	1	
3	PD551264	Gear Fourth Drive	1	
4	BF551037	Ring Snap Output	2	
5	PD551263	Gear Third Drive	1	
6	LDA00030	Washer Spline	2	
7	PD551265	Gear Fifth Drive	1	
8	PD551262	Gear Second Drive	1	
9	LDA00056	Washer	2	
10	PD551018	Shaft Output-Plug	1	
11	PD551268	Gear Third Driven	1	
12	LDA00030	Washer Spline	1	
13	BF551037	Ring Snap Output	1	
14	PD551269	Gear Fourth Driven	1	
15	JL551217	Bush First Driven	1	
16	PD551266	Gear First Driven	1	
18	PD551270	Gear Fifth Driven	1	
17	PD551267	Gear Second Driven	1	
19	JL551218	Bush Second Driven	1	
20	LAE00017	Bolt Flanged M6x1	2	
21	JG551021	Washer Plain-id 20.2xod30	1	
22	JG551019	Plate Drive Sprocket	1	
23	DH101117	Sprocket Drive	1	

Change Drum / Shift Fork



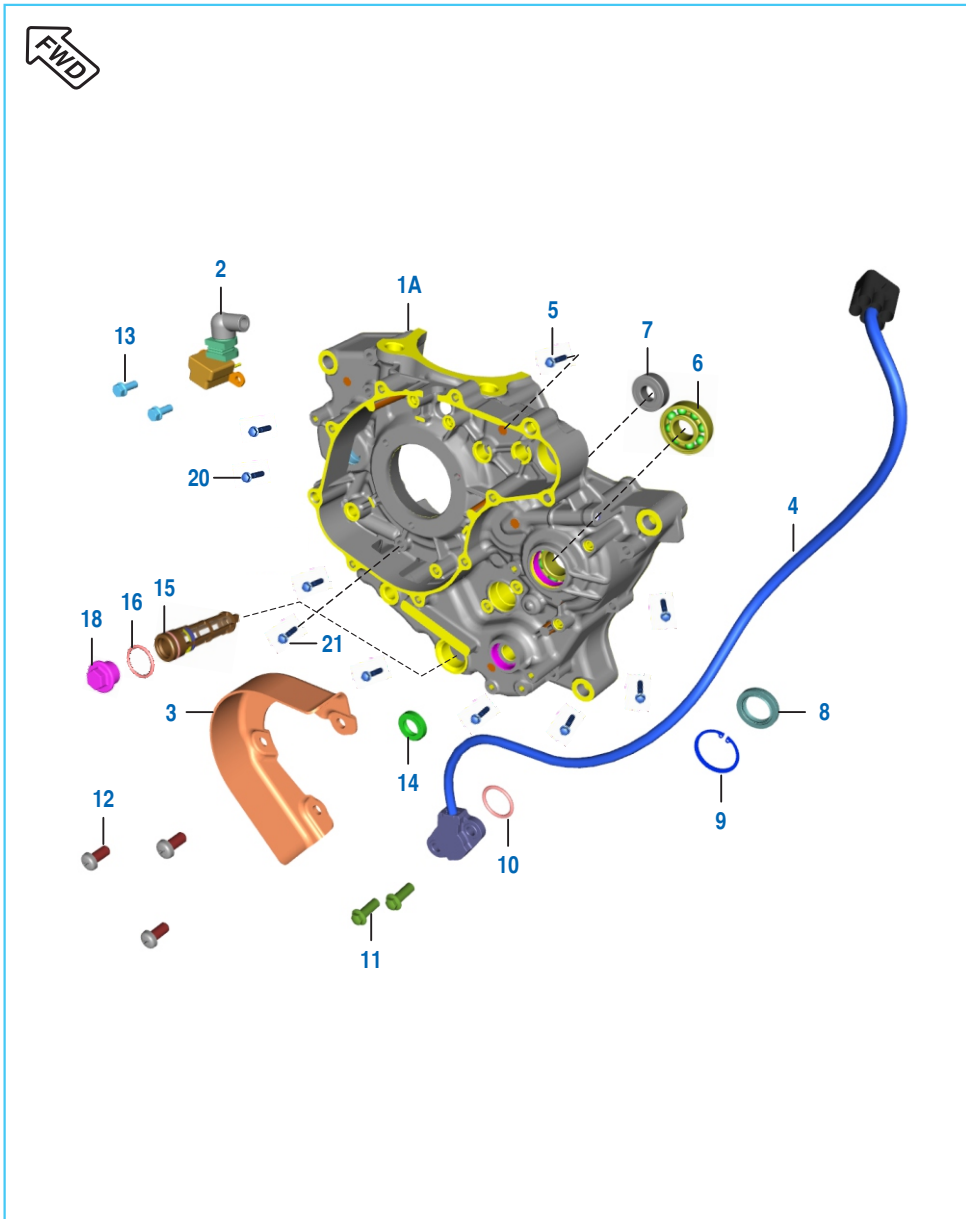
No.	Part No.	Description	Qty.	Remarks
1	PD561011	Drum Complete Gear Shift	1	
2	EC561023	Spring Gear Switch Indicator	1	
3	JY541039	Compression Spring	2	
4	JY561007	Shaft Output Fork Shift	1	
5	PD561012	Guide Gear Shift	1	
6	DH101389	Bolt Socket - M6 x 1 x 20L	1	
7	PD561013	Fork Gear Shift Input	1	
8	PD561014	Fork Gear Shift Output I	1	
9	PD561015	Fork Gear Shift Output II	1	
10	JY561004	Shaft Input Gear Shift Fork	1	

Gear Change Mechanism



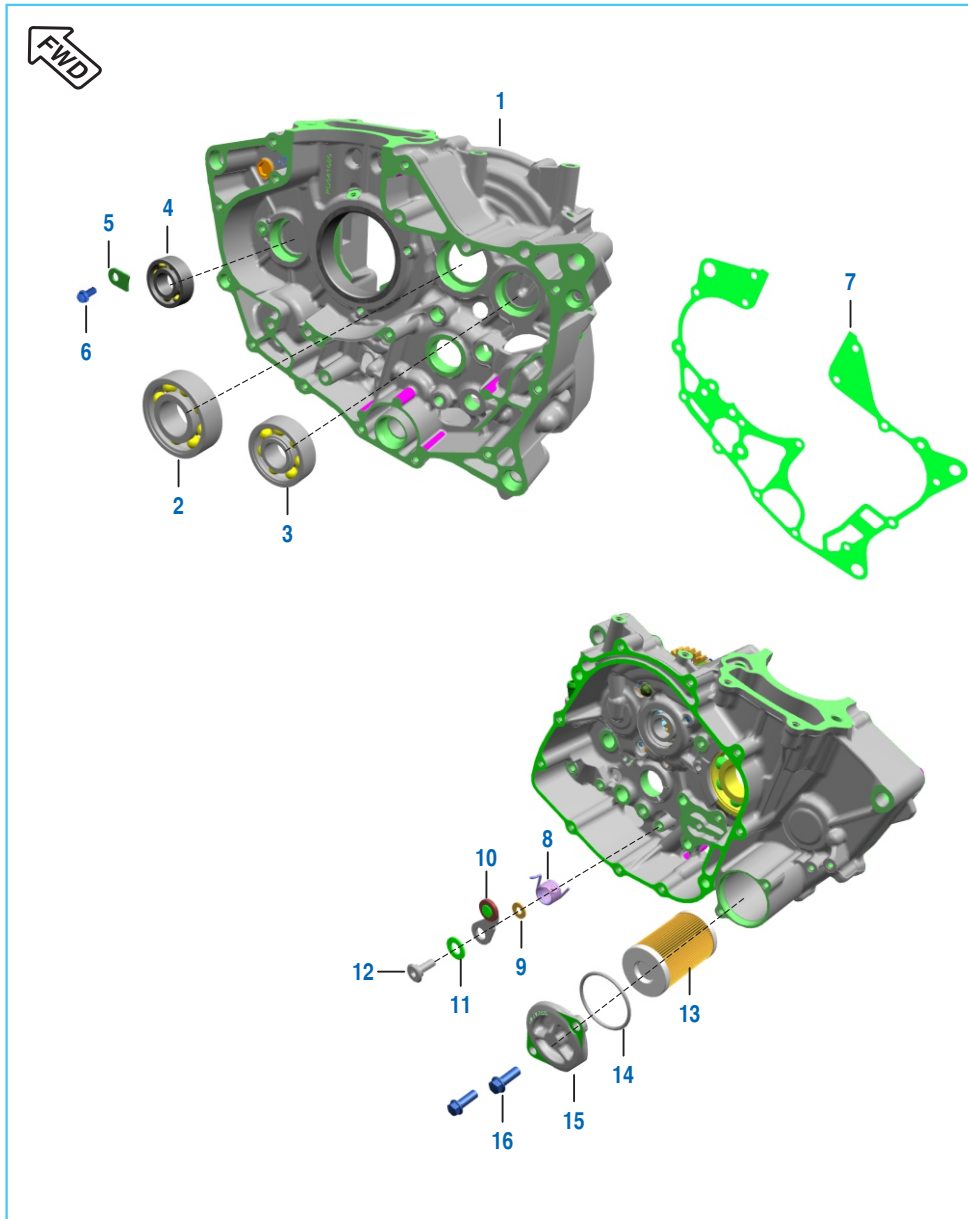
No.	Part No.	Description	Qty.	Remarks
1	PD561229	Assembly Lever Gear Shift	1	
2	PD561233	Spring Pawl	1	
3	PD561236	Bush	1	
4	GL561049	Spring Torsion	1	
5	LDB00071	Washer Plain-id	1	
6	JR113064	Bracket Assembly LH	1	For Single Disc
7	JR561202	Lever Assembly Change	1	For Single Disc
7A	JR561402	Lever Assembly Change	1	For Twin Disc
8	DT561205	Damper	1	
9	JR561408	Arm Assembly Change	1	For Single Disc
	JR561404	Arm Assembly Change	1	For Twin Disc
10	LDB00034	Washer Plain	1	For Single Disc
11	39156221	Ring 'O'	2	For Single Disc
12	AN131018	Bolt	1	For Single Disc
13	LCB00003	Nut Hex M6x1 LH	1	
14	KCAM0605	Nut Hex Thick-m6x1xht	1	
15	JR561400	Rod Tie	1	For Single Disc
	52JR0201	Rod Tie With Nut	1	For Single Disc
	Dk101181	Rod Tie	1	For Twin Disc
16	KADD0622	Bolt Flanged	1	
17	01100905	Ring O	2	
18	J1561410	Washer Plain	1	
19	LAC00104	Bolt Soket	1	

Engine Assembly / Crankcase LH



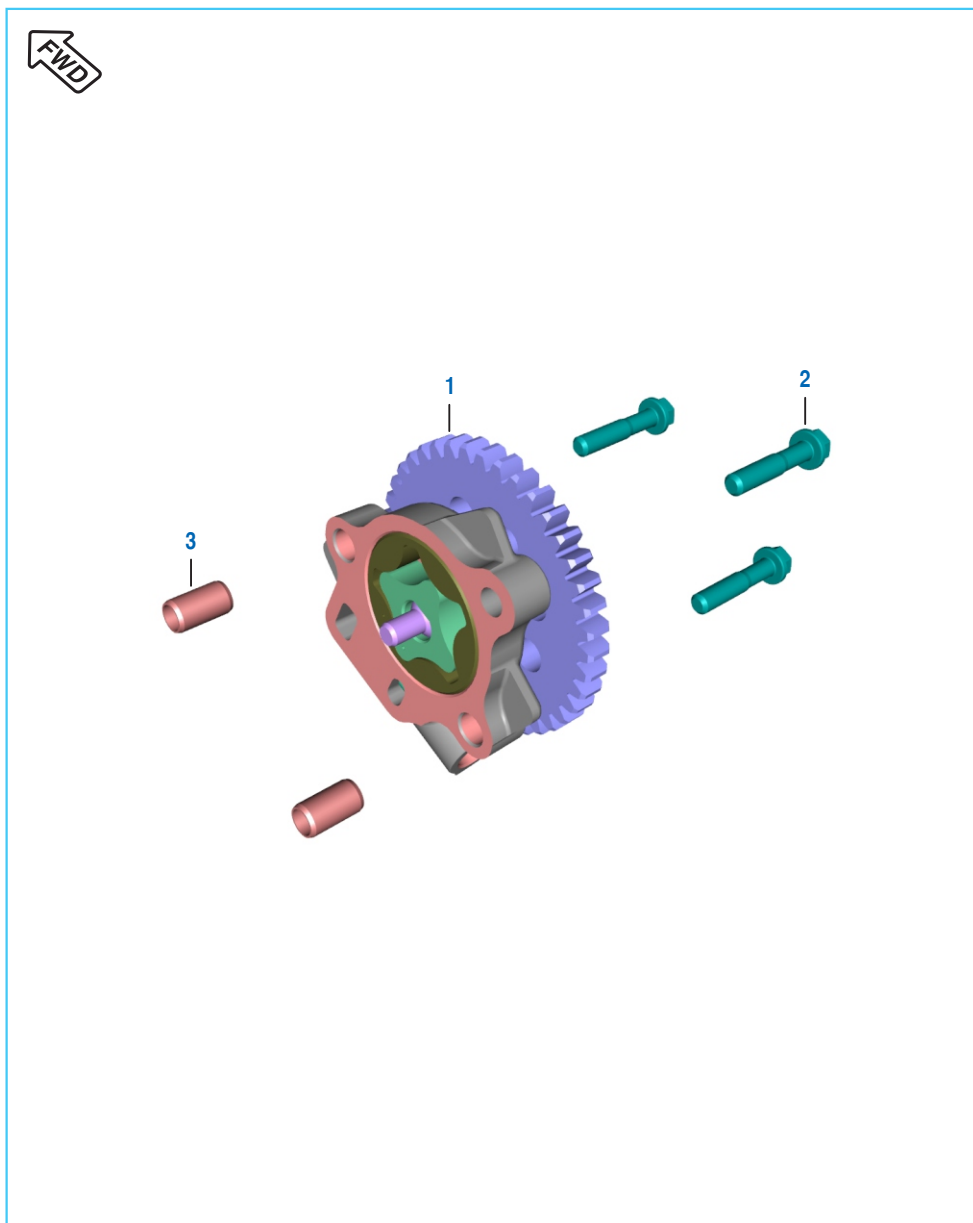
No.	Part No.	Description	Qty.	Remarks
1	PD501060	Engine Assembly	1	For Mikuni System
	PD501114	Engine Assembly	1	For Varroc System
1A	36JR0151	Kit Crankcase LH	1	
2	PD351028	Sensor Assembly Pick Up	1	
3	PD541048	Guard Chain	1	
4	52PD1622	Sensor Indicator Gear	1	
5	KAED0670	Bolt Flanged M6x1	7	
6	KPAF6004	Bearing Ball	1	
7	KPBG6201	Bearing Ball	1	
8	PD551071	Seal Oil	1	
9	KEBC3012	Circlip Internal	1	
10	KJAA2024	O Ring	1	
11	LAE00042	Bolt Flanged-m6x1	2	
12	LBB00007	Screw Pan Cross M6x1	3	
13	LAE00010	Bolt Flanged M5x0.8	2	
14	39104319	Seal - Oil	1	
15	JY571030	Mesh Strainer Assly	1	
16	LJA00004	Strainer O Ring	1	
17	JA541048	Strainer Cap With O-ring	1	
18	JA541021	Cap Strainer	1	
19	59210023	O-ring	1	
20	KAED0670	Bolt Flange Small-Crank Case Joining	7	

Crankcase RH



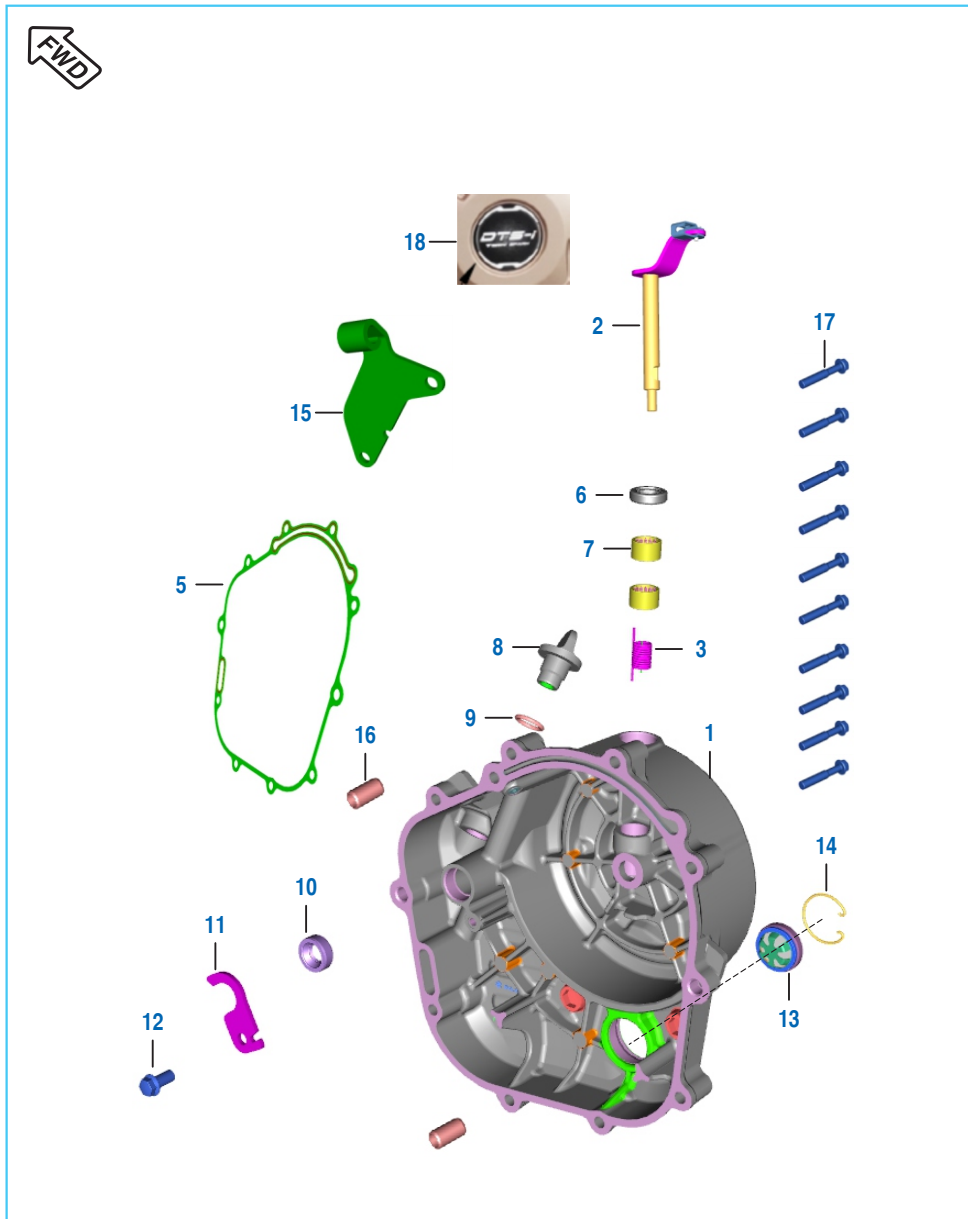
No.	Part No.	Description	Qty.	Remarks
1	52PD1703	Assly crankcase LH-SPD P150	1	
2	KPBF6203	Bearing-Ball-C3 Clearance-HN3	1	
3	KPBG6201	Bearing Ball ID	1	
4	JG531220	Balancer Bearing	1	
5	JG541059	Plate Stopper Bearing Drum	1	
6	AA101437	Bolt-Flanged-Small	1	
7	PD541028	Gasket Crankcase	1	
8	PD561215	Spring Torsion	1	
9	LDB00050	Washer Plain-ID 6xOD	1	
10	PD561237	Stopper Assembly Drum	1	
11	LDA00026	Washer Plain-ID10xOD	1	
12	LAC00084	Bolt Socket-M6x1xI	1	
13	JG571014	Oil Filter	1	
14	LJA00022	Ring	1	
15	56PD1X1Y	Cap Filter Oil	1	
16	KAED0616	Bolt Flanged	2	

Oil Pump



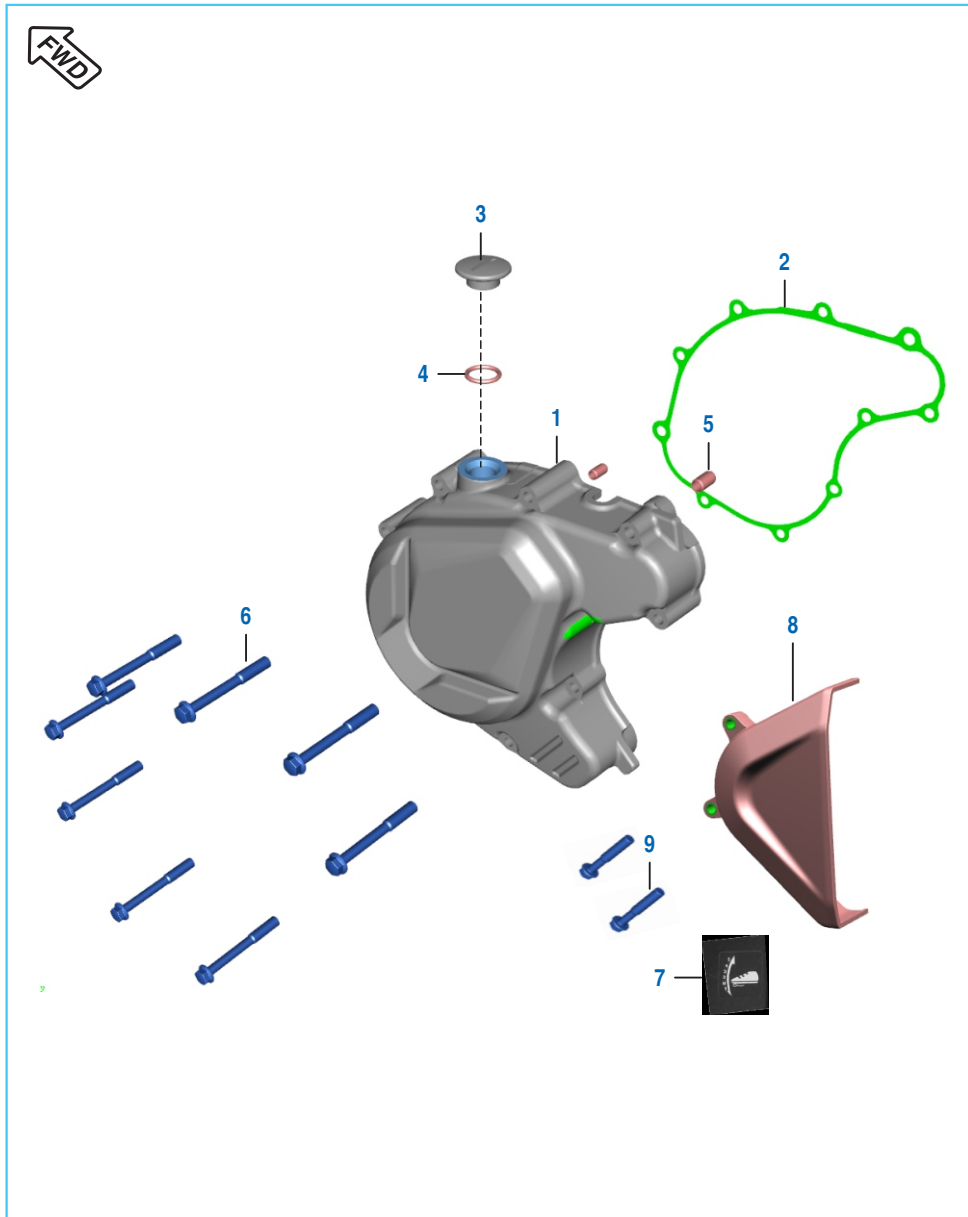
No.	Part No.	Description	Qty.	Remarks
1	PD571012	Oil Pump	1	
2	LAE00018	Bolt Flanged M6x1	3	
3	39099906	Pin Dowel-oil Pump	2	

Cover Clutch



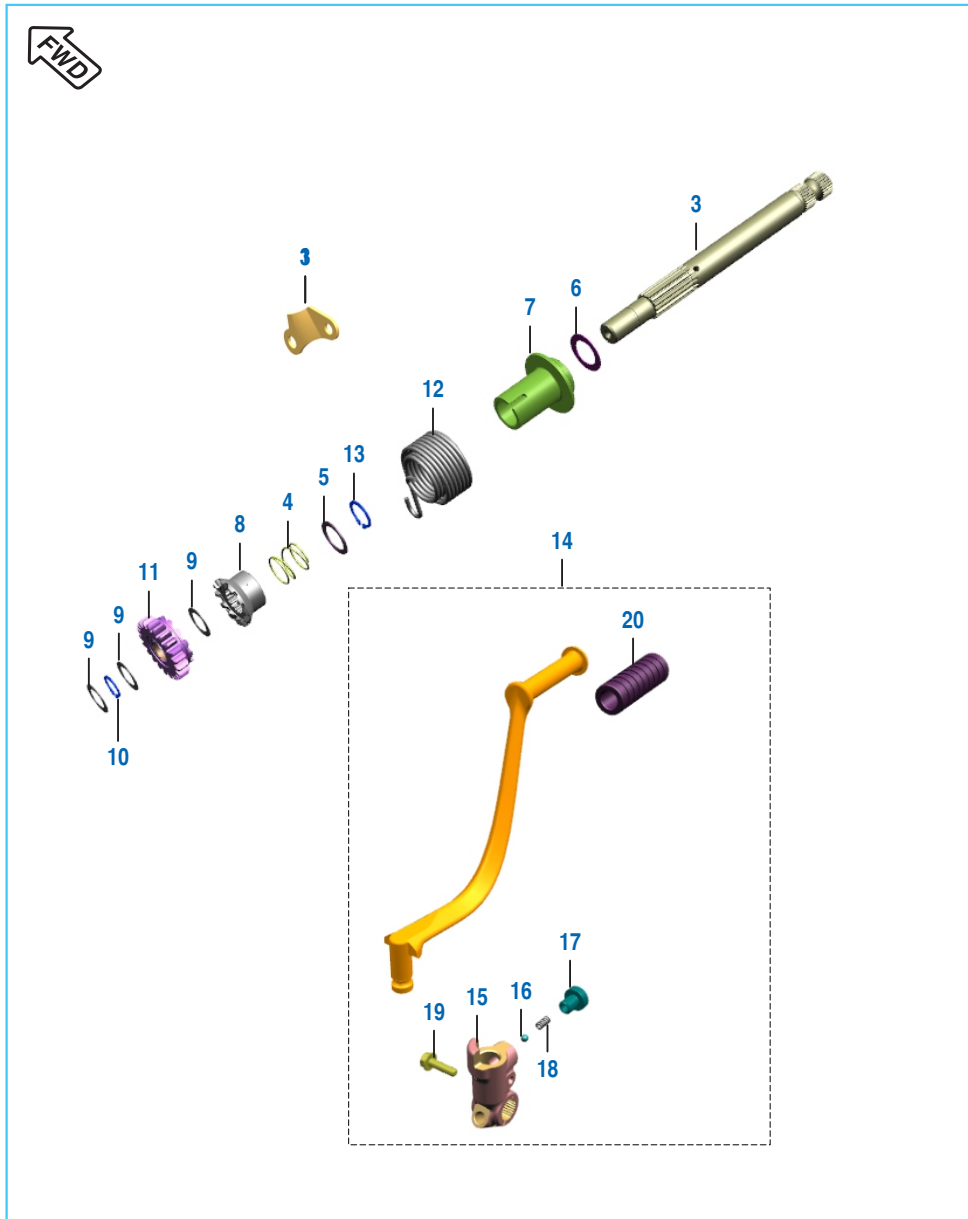
No.	Part No.	Description	Qty.	Remarks
1	52PD1704	Assly clutch cover-SPD P150	1	
2	JL551410	Shaft Clutch Assembly	1	
3	PD541264	Spring	1	
4	JH541236	Jet Oil	1	
5	PD541239	Gasket Clutch Cover	1	
6	30101142	Seal Oil	1	
7	39199020	Bearing Needle	2	
8	JG541230	Cap Oil Filling	1	
9	KJAB1424	O Ring	1	
10	JE541242	Seal Oil Crankshaft K11	1	
11	JE541249	Plate Position K11	1	
12	AA101437	Bolt Flanged M6x1	1	
13	JZ541268	Window Gauge Oil	1	
14	JZ541269	Circlip	1	
15	JL541255	Bracket Clutch Cable	1	
16	39099906	Dowel	2	
17	KAED0635	Bolt Flange Small	11	
18	JR233496	Decal Cover Clutch	1	

Cover Magneto



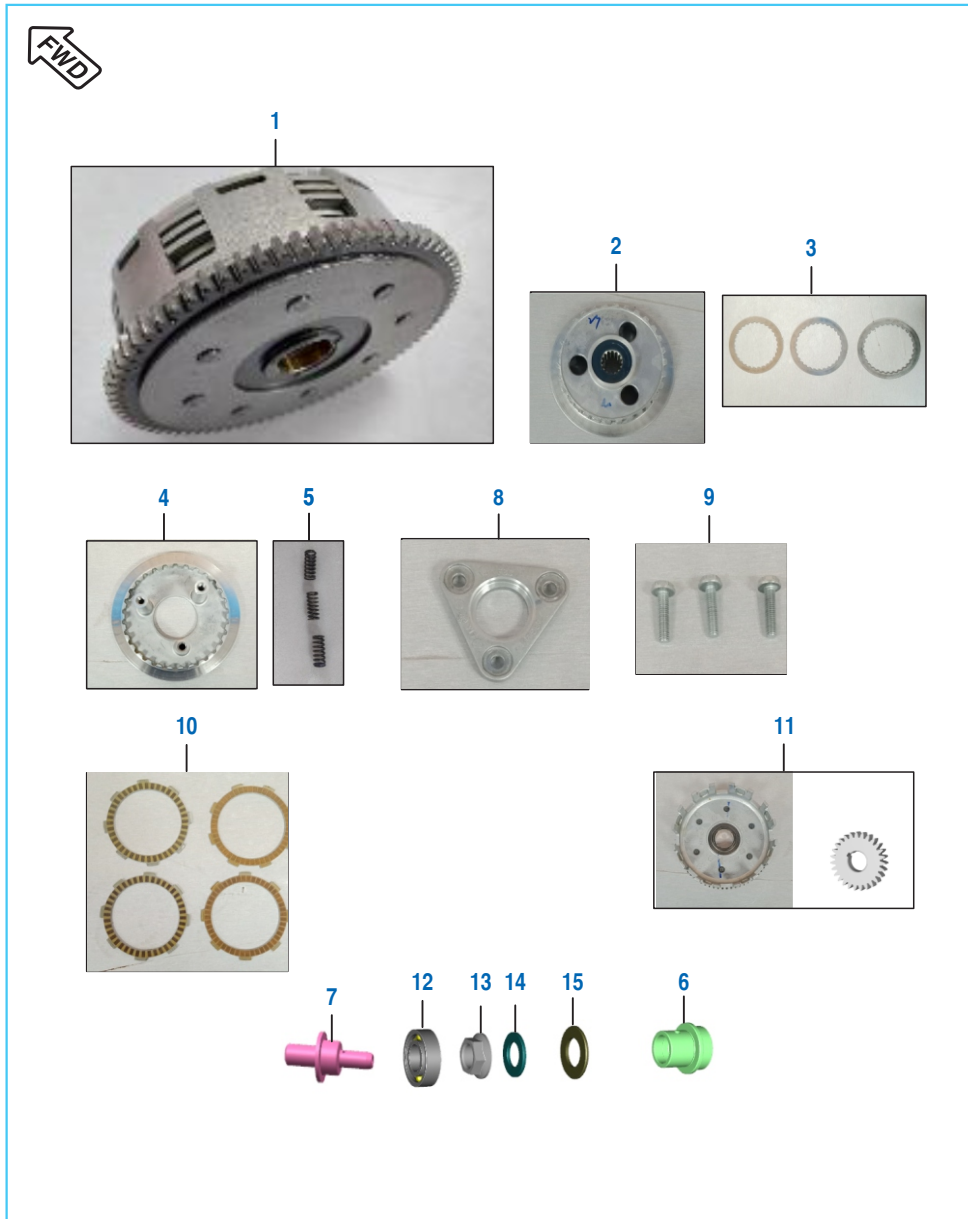
No.	Part No.	Description	Qty.	Remarks
1	52PD1698	Assembly Cover Magneto	1	
2	PD541272	Gasket Cover Magneto	1	
3	JL541245	Cap Tdc Finder	1	
4	30101195	O-ring	1	
5	39099906	Pin Dowel-Oil Pump	2	
6	KAED0650	Bolt Flange Small	6	
7	PD233122	Label Gear Shift	1	
8	PD541231	Cover LH Rear	1	For Single Disc
	PD541314	Cover LH Rear	1	For Twin Disc
9	KAED0650	Bolt	2	
10	JR233432	Decal Cover Magneto	1	

Kick Starter Mechanism



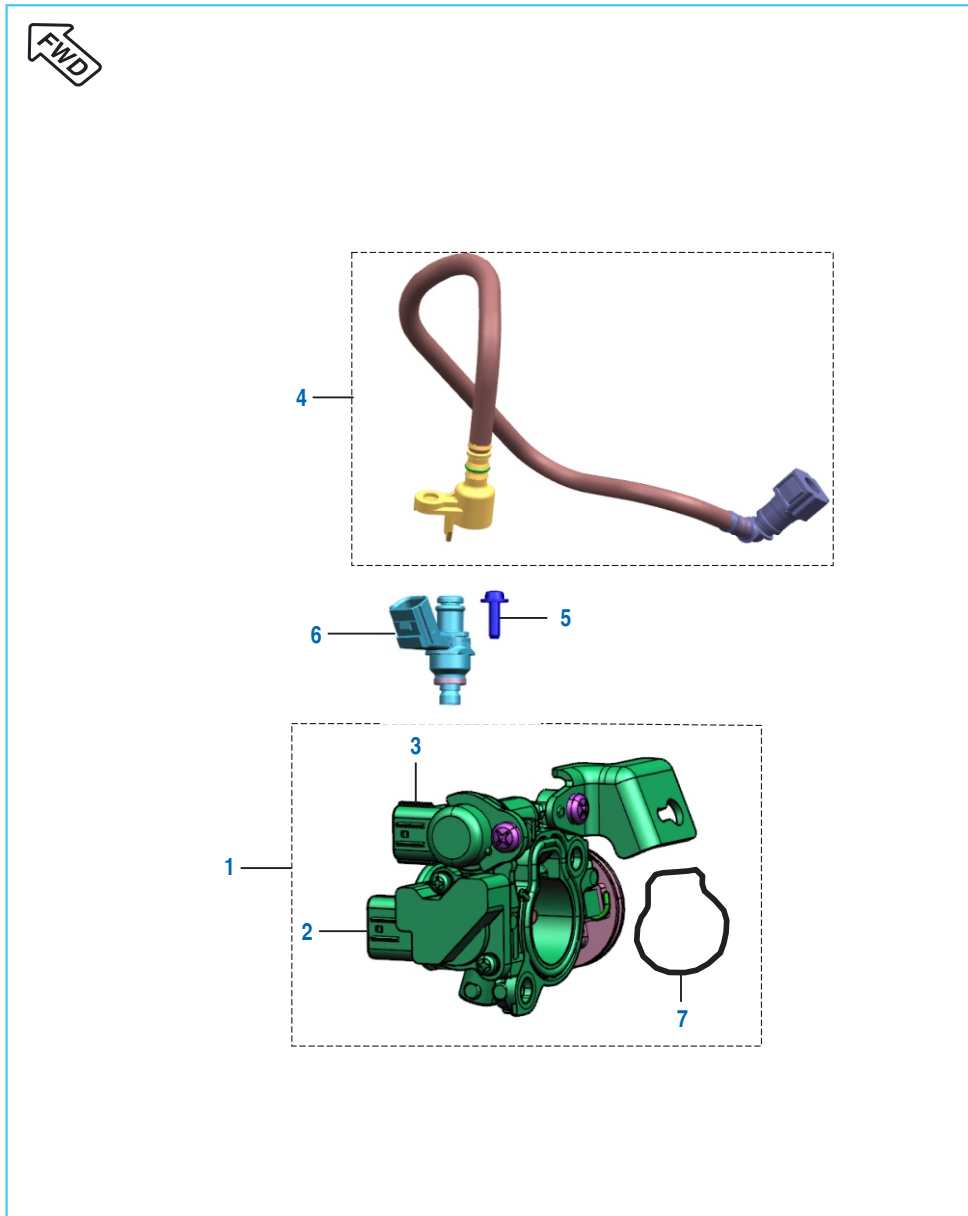
No.	Part No.	Description	Qty.	Remarks
1	PD621003	Guide Kick	1	
2	LAD00176	Bolt Shift Change M8x1.25	1	
3	PD621008	Shaft Kick	1	
4	DH101121	Spring Kick Starter Ratchet	1	
5	39227611	Plain Washer	1	
6	JA621006	Washer Plain	1	
7	PD621020	Sleeve	1	
8	PD621012	Ratchet Kick Starter	1	
9	39099311	Plain Washer	3	
10	KEAB1310	Circlip External	1	
11	PD621009	Gear Assembly Pinion Kick	1	
12	JZ621008	Spring Torsion	1	
13	KEAB1610	Circlip External-dia 14.7xthk 1	1	
14	PD621200	Lever Assembly Kick	1	
15	PD621202	Boss Lever Kick	1	
16	DH101068	Ball Steel Dia5	1	
17	LAC00204	Bolt Socket M10x1.25	1	
18	DH101185	Spring Kick Starter Arm	1	
19	KADA0622	Bolt Flanged M6x1	1	
20	DD101097	Damper	1	

Clutch Assembly



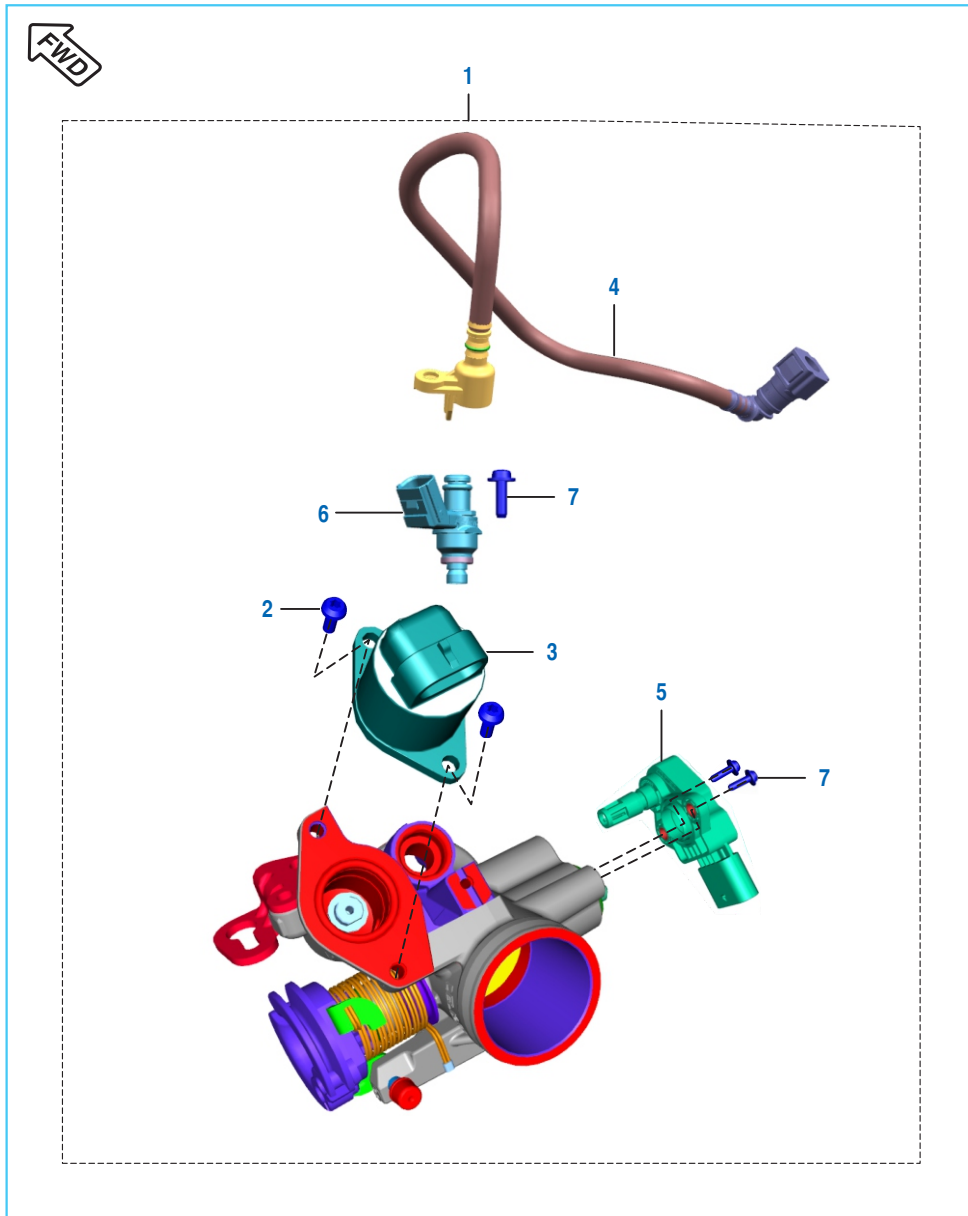
No.	Part No.	Description	Qty.	Remarks
1	PD551438	Clutch Assembly	1	
2	YJR06007	Center Clutch	1	
3	36JR0113	Plate Clutch	1	
4	YJR06012	Plate Clutch Pressure	1	
5	YJR06013	Spring Clutch	3	
6	PD551261	Bush	1	
7	PD541265	Push Rod	1	
8	YJR06014	Plate Clutch Lifter	1	
9	YJR06015	Bolt Flange	3	
10	36JR0112	Kit Friction Plate	1	
11	36JR0100	Kit Primary Drive & Clutch Housing	1	
12	39188020	Ball Bearing 15x32x9	1	
13	LCG00031	Nut Hex FI-m14	1	
14	59110008	Plain Washer	1	
15	JG551428	Washer Clutch_g2 (design)	1	

Throttle Body - For Mikuni System



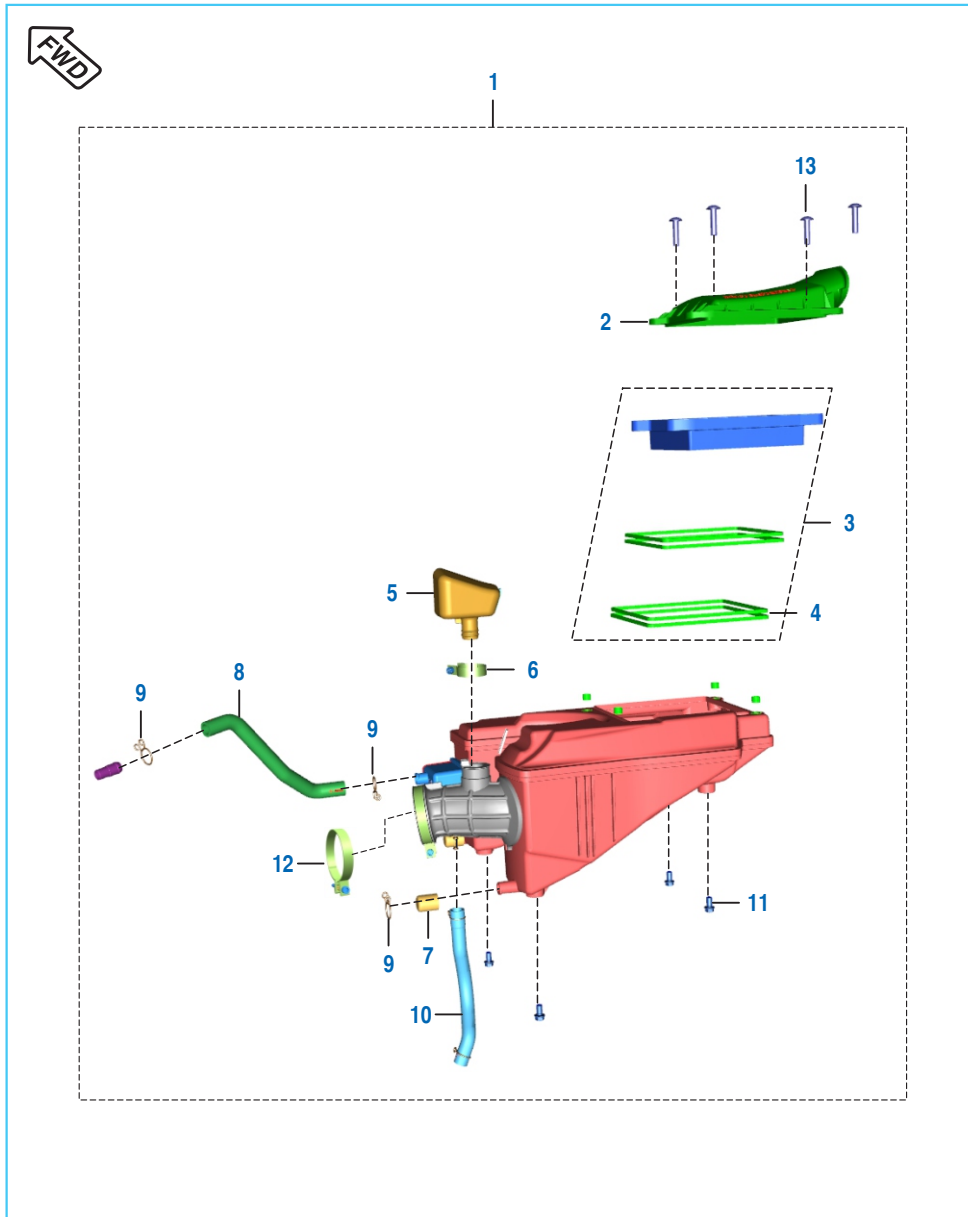
No.	Part No.	Description	Qty.	Remarks
1	DH121327	Body Throttle Assembly	1	
2	DY351800	Sensor Temp+Pressure	1	
3	DY611202	Motor Stepper (IACV)	1	
4	DH121330	Cap Injector-Connector Quick	1	
5	JG581424	Fixing Screw	1	
6	DH121331	Injector	1	
7	YJR02001	O Ring	1	

Throttle Body - For Varroc System



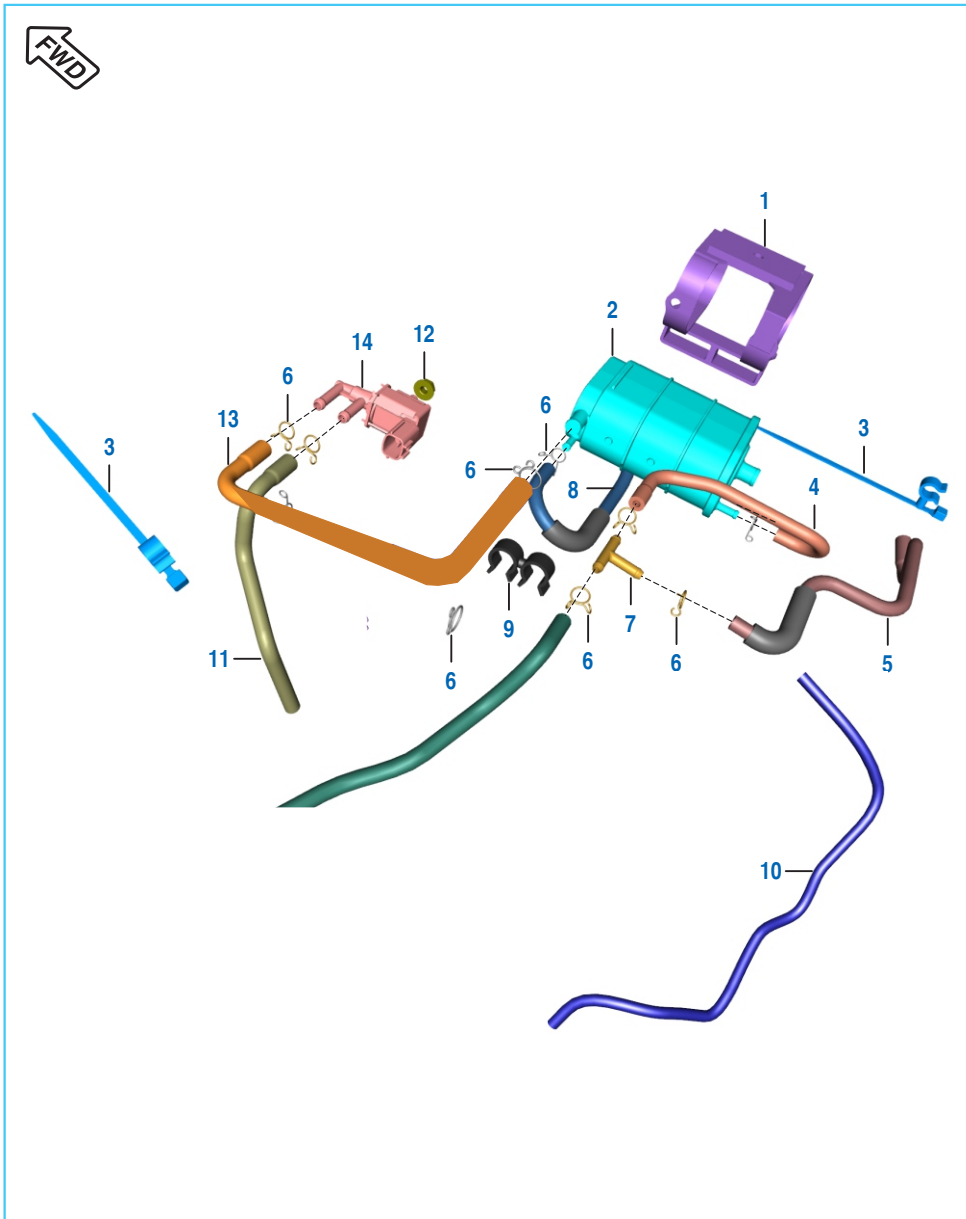
No.	Part No.	Description	Qty.	Remarks
1	PD611224	Body Throttle Assembly	1	
2	JG581424	Fixing Screw_m4x13	4	
3	JG611206	Motor Stepper	1	
4	PD611222	Cap Injector-Connector Quick	1	
5	36PD0112	Kit 3 in 1 Sensor	1	
6	DH121331	Injector	1	
7	JG 5814 23	Fixing Screw - M4 x 13	3	

Air Cleaner Complete



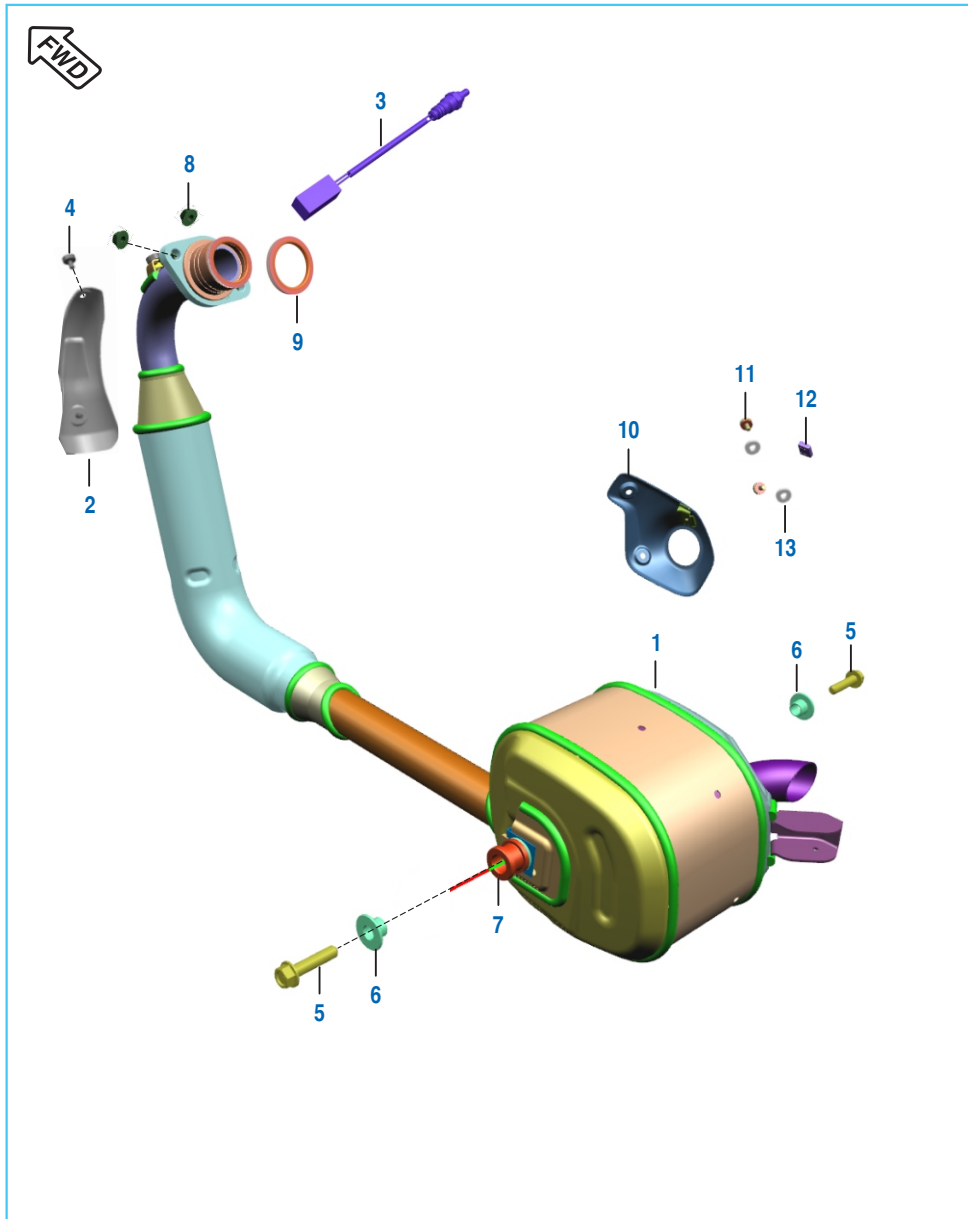
No.	Part No.	Description	Qty.	Remarks
1	PD581143	Assembly Air Filter	1	For Mikuni System
	PD581137	Assembly Air Filter	1	For Varroc System
2	PD581052	Cover Top	1	
3	36JR0043	Air Filter Element With Seals	1	
4	PD581037	Seal	2	
5	PD581135	Box Resonator	1	
6	PA581036	Clamp Connecting Tube	1	
7	JP581018	Tube Drain	1	
8	PD581035	Pipe Breather	1	
9	JG581056	Clamp (breather Tube)	3	
10	PD581098	Pipe Breather	1	
11	KAED0610	Bolt Flanged M6x1	4	
12	JG581076	Clamp	1	
13	KBUA0625	Screw	4	

EVAP Mechanism



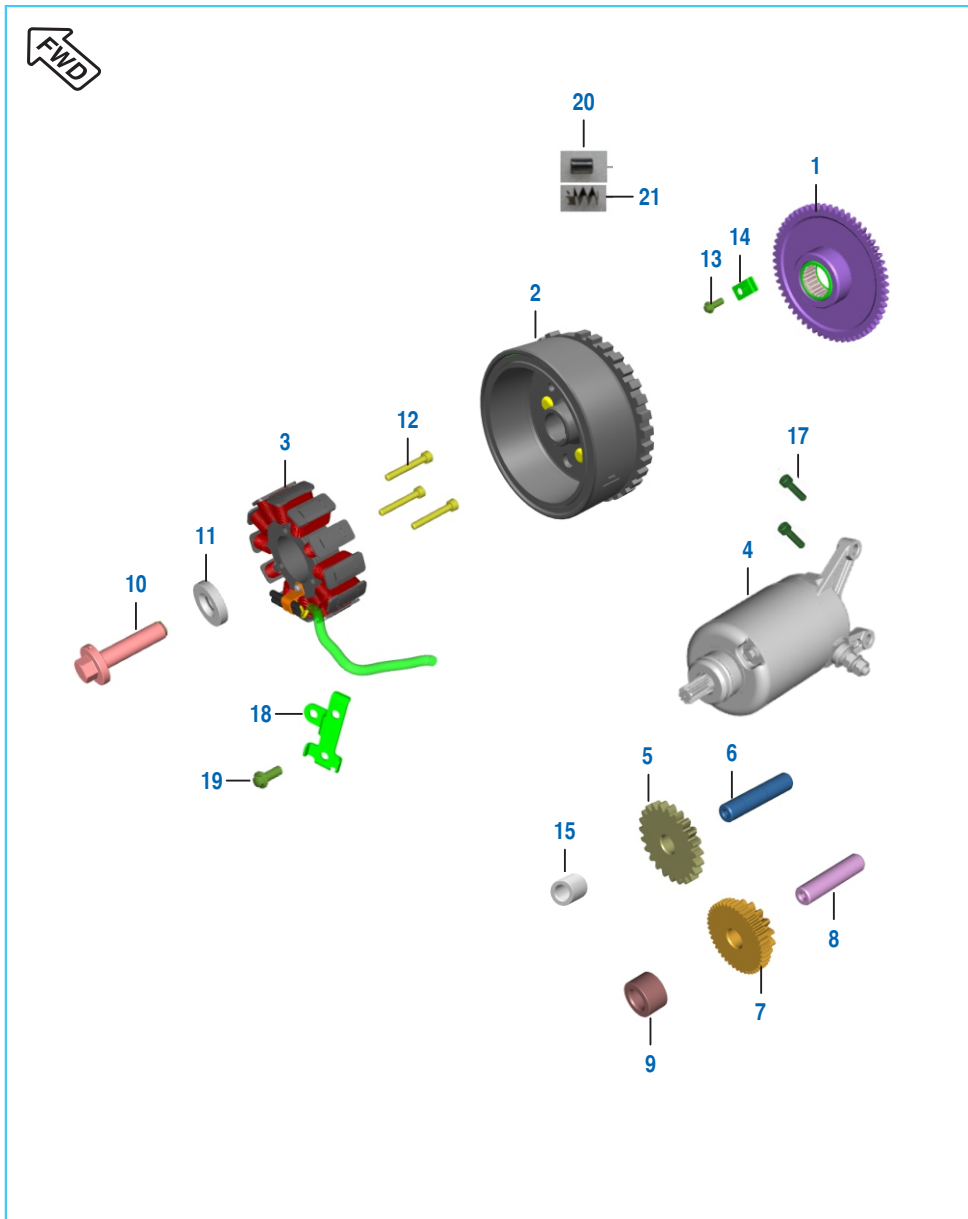
No.	Part No.	Description	Qty.	Remarks
1	JR171122	Strap	1	
2	JR171620	Canister	1	
3	JG601257	Strap-clip Swivel	1	
4	JR171815	Pipe Drain	1	
5	JR171816	Pipe Drain	1	
6	JG171030	Clamp	8	
7	GL171036	Connector For Breather & Vapor Tube	1	
8	JR171803	Pipe Fuel	1	
9	BF172215	Clamp Spacer Lpg Hose	1	
10	JL171037	Breather Tube	1	
11	DU141271	Tube Purge Valve To Carburettor	1	For Mukuni System
	JR171805	Pipe Fuel	1	For Varroc System
12	KCGA0606	Nut Hex Flanged M6x1	1	
13	JR171823	Pipe Fuel	1	
14	JR171621	Valve Purge	1	For Varroc System
	JU171606	Valve Purge	1	For Mukuni System

Silencer Assembly



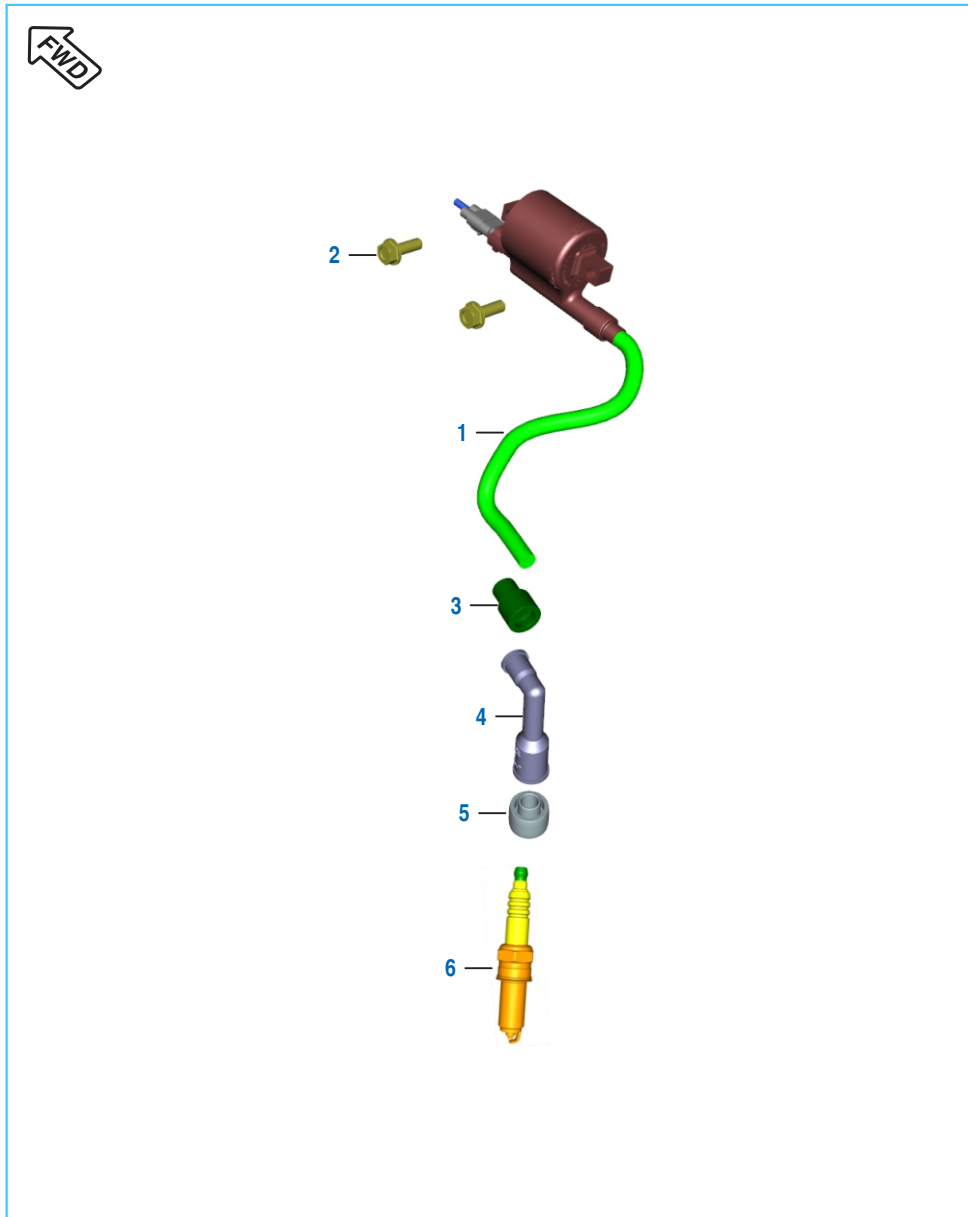
No.	Part No.	Description	Qty.	Remarks
1	PD591625	Silencer Assembly	1	For Varroc System
	PD591652	Silencer Assembly	1	For Mikuni System
2	PD591608	Shield Catalyst	1	
3	JB591098	Sensor Oxygen	1	
4	J1591149	Bolt Socket	1	
5	24231504	Bolt Flanged	2	
6	JF591334	Collar	4	
7	JG591100	Damper Silencer Mounting Lower	2	
8	LCG00006	Nut Hex Flanged M8*1.25	2	
9	PD591158	Gasket	1	
10	PD591630	Shield Muffler	1	
11	PD591101	Bolt	2	
12	JY591303	Grommet	1	
13	PD591100	Washer	1	

Magneto & Starter Motor



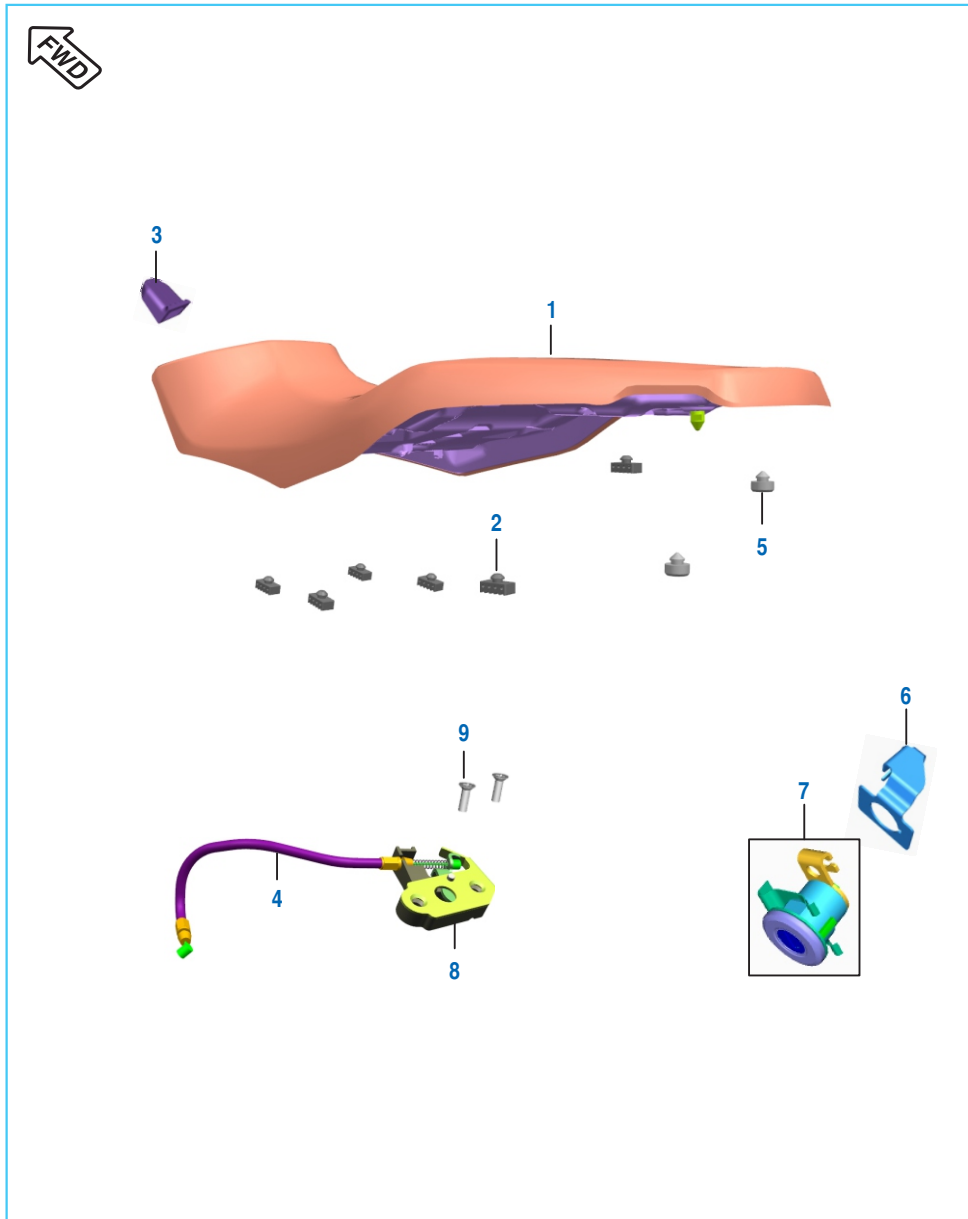
No.	Part No.	Description	Qty.	Remarks
1	PD621426	Gear Assembly Clutch Starter	1	
2	PD351007	Rotor Assembly	1	For Varroc System
	PD351057	Rotor Assembly	1	For Mikuni System
3	PD351022	Stator Assembly	1	
4	PD351608	Motor Starter	1	
5	PD621423	Gear Starter Counter I	1	
6	PD621422	Shaft Gear Starter Counter I	1	
7	PD621421	Gear Starter Counter II	1	
8	PD621420	Shaft Gear Starter Counter II	1	
9	PD621425	Collar Starter Counter	1	
10	PD531052	Bolt Flanged M12x1.5	1	
11	LDB00091	Washer Plain	1	
12	DK101284	Bolt Socket-m5x	3	
13	LAE00042	Bolt Flanged-m6x1	1	
14	PD541050	Retainer Gear Starter	1	
15	PD621412	Bush	1	
17	KAED0620	Bolt Flange Small	2	
18	PD541271	Bracket Stator Cable	1	
19	KADA0512	Bolt	1	
20	YJZ14002	Roller Starter Clutch	10	
21	YJZ14003	Spring Starter Clutch	10	

H.T. Coil



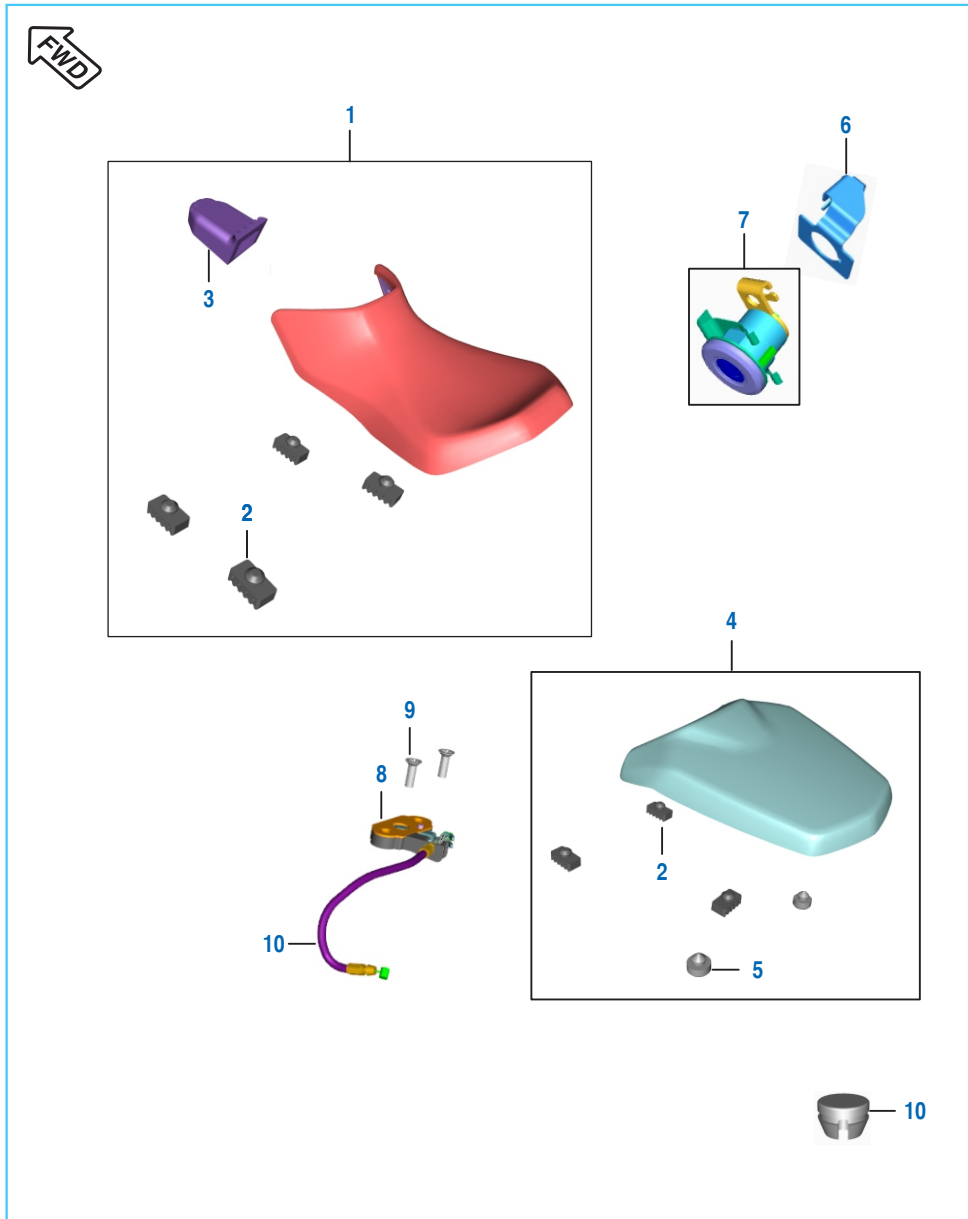
No.	Part No.	Description	Qty.	Remarks
1	PD351262	Coil Assembly Ignition LH	1	
2	KADA0618	Bolt Flanged	2	
3	DD111012	Grommet H.t. Cable	2	
4	JE351212	Cap Spark (120 DEG) K11	1	
5	DD111011	Grommet Spark Plug Cap	1	
6	DK111028	Spark Plug	1	

Seat Assembly / Seat Lock



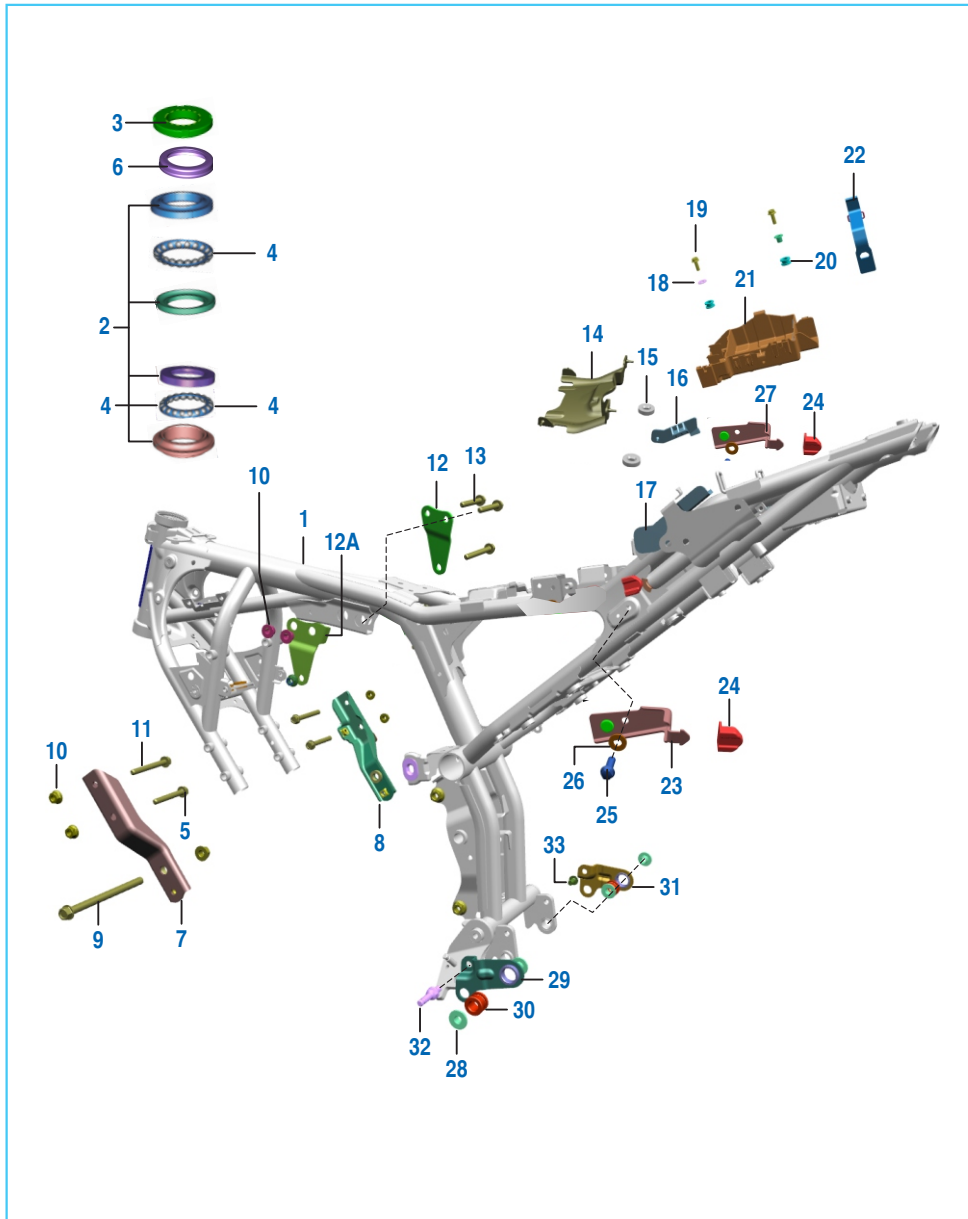
No.	Part No.	Description	Qty.	Remarks
1	JR191011	Seat Assembly	1	
2	JP191007	Seat Damper Rear	4	
3	PA191010	Damper Seat Front	1	
4	JR232613	Cable	1	
5	JD191006	Damper Round	1	
6	JR232611	Bracket Lock Seat	1	
7	36JR0149	Set Lock+P T Cap Slate Gray	1	
8	JR232607	Latch Assembly Seat	1	
9	KBCA0620	Screw	2	

Splitte Seat Assembly / Seat Lock



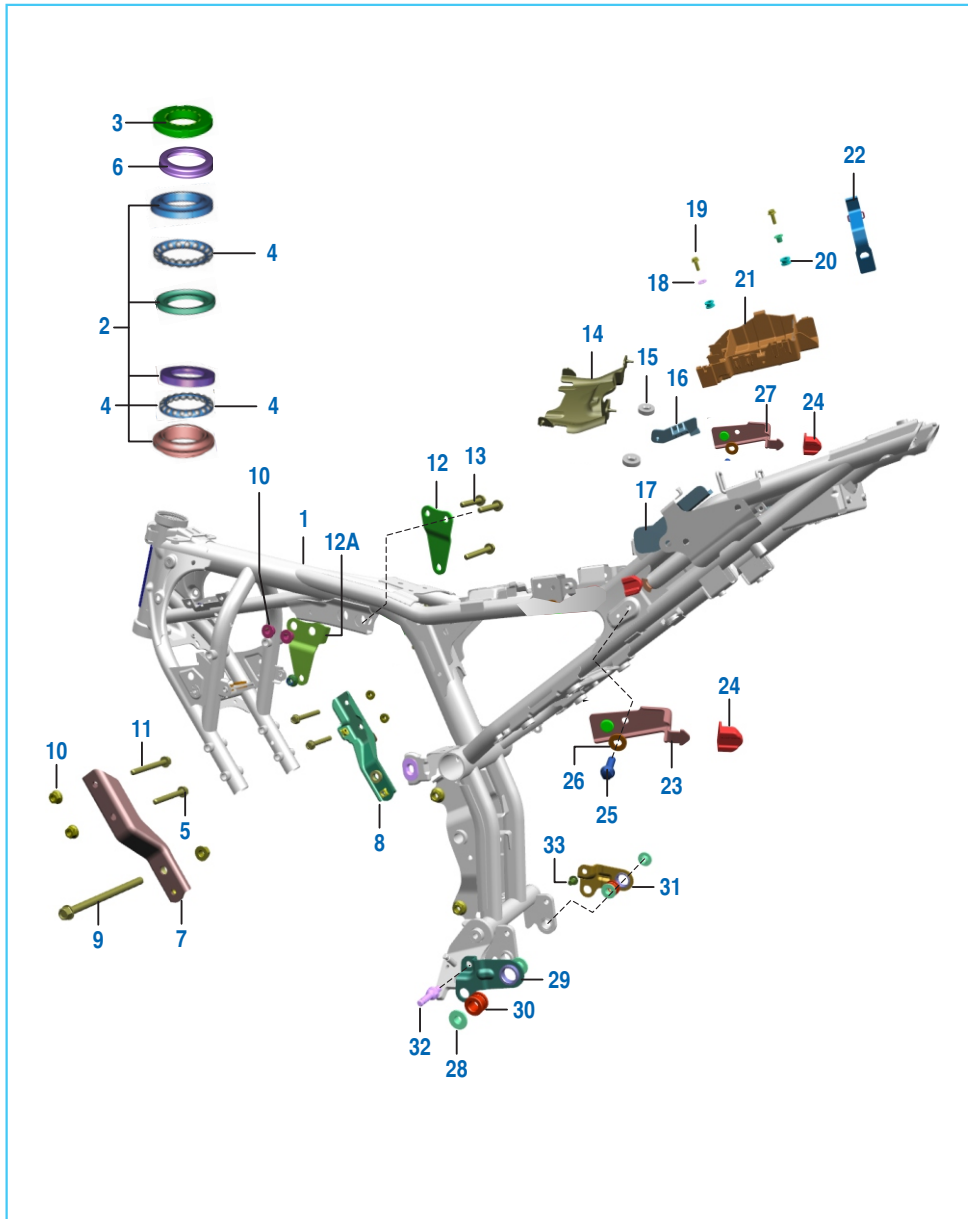
No.	Part No.	Description	Qty.	Remarks
1	JR191025	Seat Assembly - Front	1	
2	JP191007	Seat Damper Rear	4	
3	PA191010	Damper Seat Front	1	
4	JR191028	Seat Assembly Rear	1	
5	JD191006	Damper Round	1	
6	JR232611	Bracket Lock Seat	1	
7	36JR0149	Set Lock+P T Cap Slate Gray	1	
8	JR232607	Latch Assembly Seat	1	
9	KBCA0620	Screw	2	
10	JR232613	Cable	1	

Frame and Frame Fittings



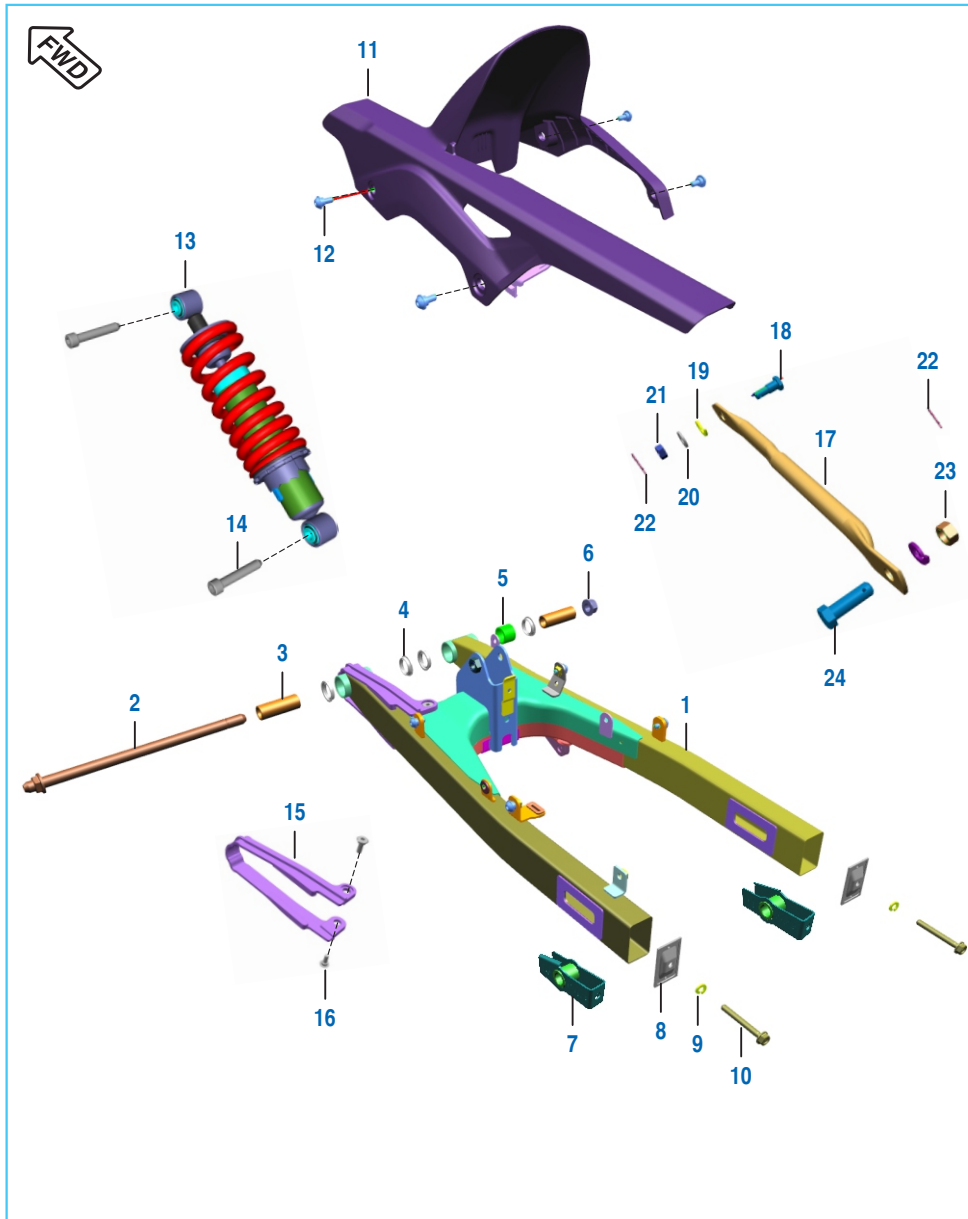
No.	Part No.	Description	Qty.	Remarks
1	JR111040	Frame Assembly	1	
2	36JG0011	Kit Steering Head Bearing	1	
3	DH181122	Nut Steering	1	
4	DJ181115	Cage Bearing Steering Bottom	2	
5	KADJ0860	Bolt Flanged M8X1.25	2	
6	JR151070	Cap Steering	1	
7	JR113425	Hanger Assembly Engine LH	1	
8	JR113426	Hanger Assembly Engine RH	1	
9	KADJ10D5	Bolt Flanged M10X1.25	1	
10	KCGF0808	Nut Hex Flanged	6	
11	LAD00315	Bolt Flanged M8X1.25	4	
12	JR113906	Bracket Hanger Engine RH	1	
12A	JR113840	Hanger Engine LH	1	1
13	KADD0860	Bolt Flanged M8X1.25	3	
14	JR113926	Cover Filter Air	1	
15	JR191021	Damper	1	
16	JR113925	Deflector RH	1	
17	JR113924	Deflector LH	1	
18	LDB00023	Washer Plain	1	
19	KADF0618	Bolt Flanged M6X1	2	
20	JZ181356	Grommet Fairing MTG	2	
21	JR113822	Case Battery	1	
22	JR113826	Strap Battery	1	
23	JR113875	Bracket LH	1	
24	JZ181322	Grommet Side Cover	2	
25	KAED0618	Bolt Flanged M6X1	2	

Frame and Frame Fittings



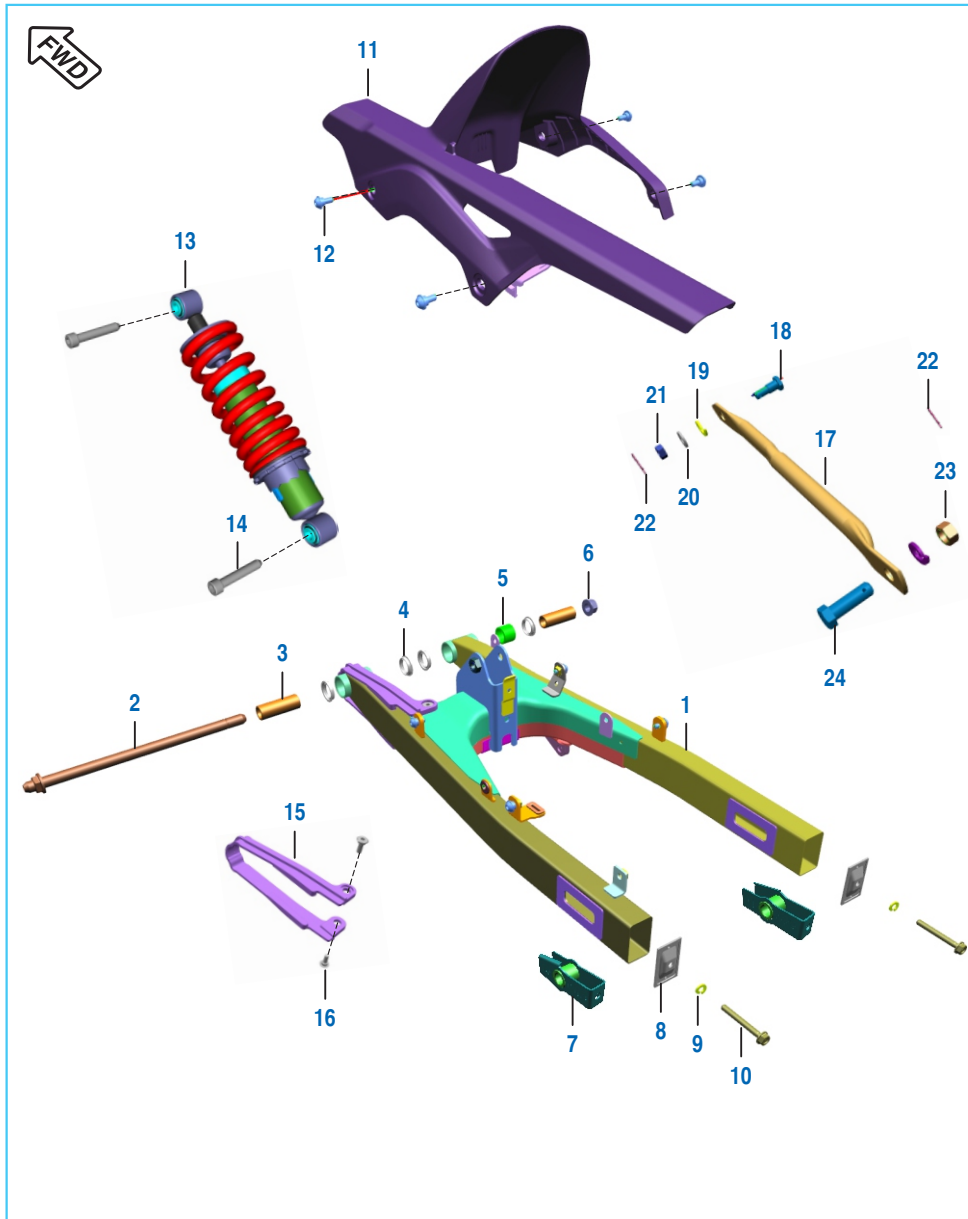
No.	Part No.	Description	Qty.	Remarks
26	DT171048	Washer Plain	2	
27	JR113876	Bracket LH	1	
28	JF591334	Collar	4	
29	JR113850	Bracket Muffler LH	1	
30	JG591100	Damper Silencer Mounting Lower	2	
31	JR113851	Bracket Muffler RH	1	
32	CZ541005	Bolt Spl, Stand Spring MTG	1	
33	KAED0814	Bolt Flanged M8X1.25	1	

Swing Arm / Rear Shock Absorber & Chain Case



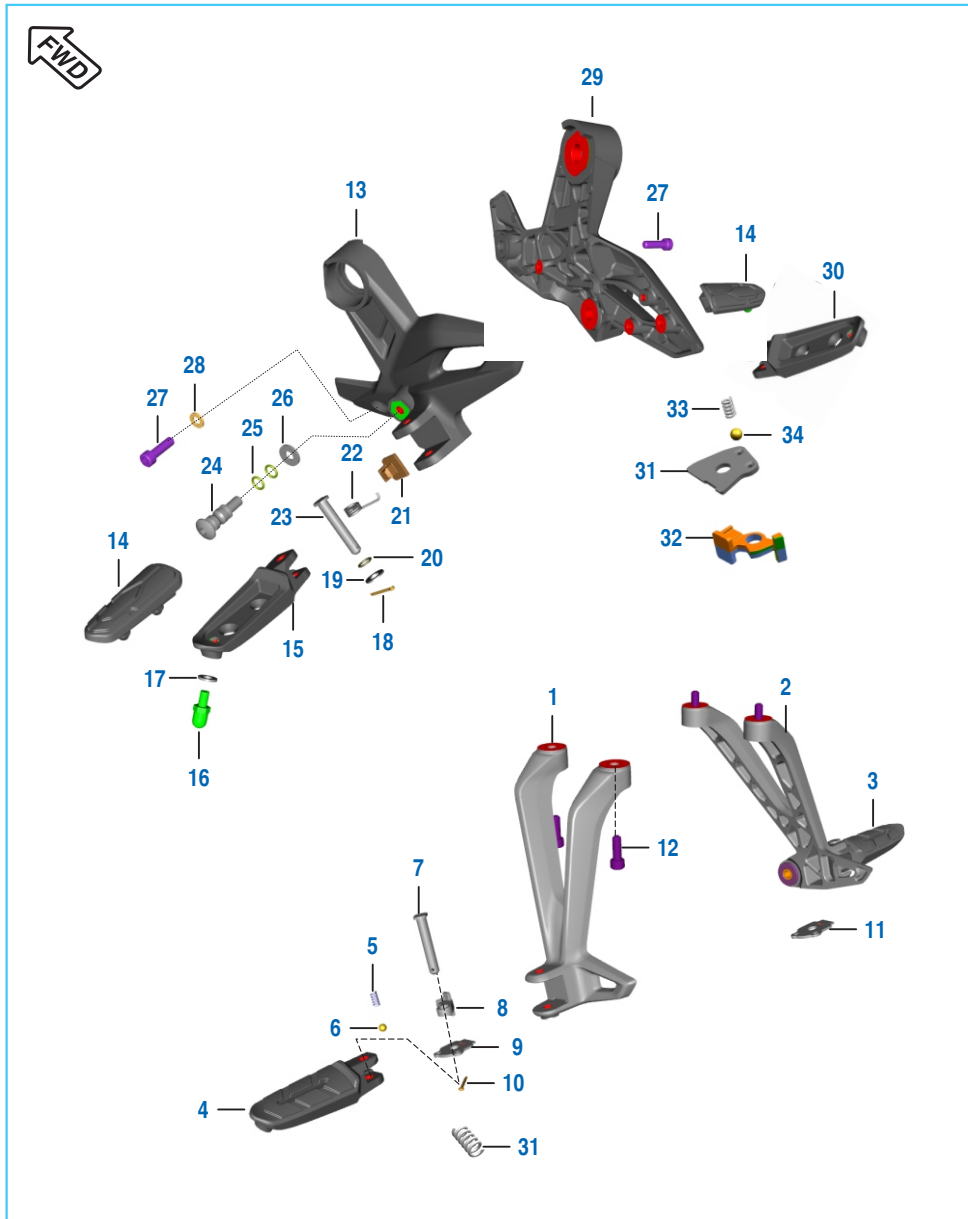
No.	Part No.	Description	Qty.	Remarks
1	JR122004	Arm Assembly Swing	1	For Single Disc
	JR122101	Arm Assembly Swing	1	For Twin Disc
2	JR122040	Bolt Flanged M14X1.5	1	
3	JR122068	Sleeve	2	
4	JH122009	Seal Dust	4	
5	JH122013	Bearing Needle	2	
6	DG171017	Nut	1	
7	JR122066	Chain Adjuster	2	
8	JZ122012	Plate Adjuster Chain	2	
9	KDDB0612	Washer Spring Thin	2	
10	LAD00318	Bolt Flanged M6X1	2	
11	JR181941	Cover Assembly Chain	1	For Twin Disc
	JR183577	Cover Assembly Chain	1	For Single Disc
12	LBU00116	Screw Button Head Step M6X1	4	
13	JR122010	Shock Absorber	1	
14	LAC00105	Bolt Socket-M10X1.25	2	
15	Jr122092	Slider Chain	1	
16	LBU00168	Screw Socket Step M6X1	2	
17	Dj151042	Rod Torque	1	For Single Disc
18	DH151029	Bolt Step M8x1.25	1	For Single Disc
19	KDDB1018	Washer Spring Thin	2	For Single Disc
20	39154011	Washer Plain	1	For Single Disc

Swing Arm / Rear Shock Absorber & Chain Case



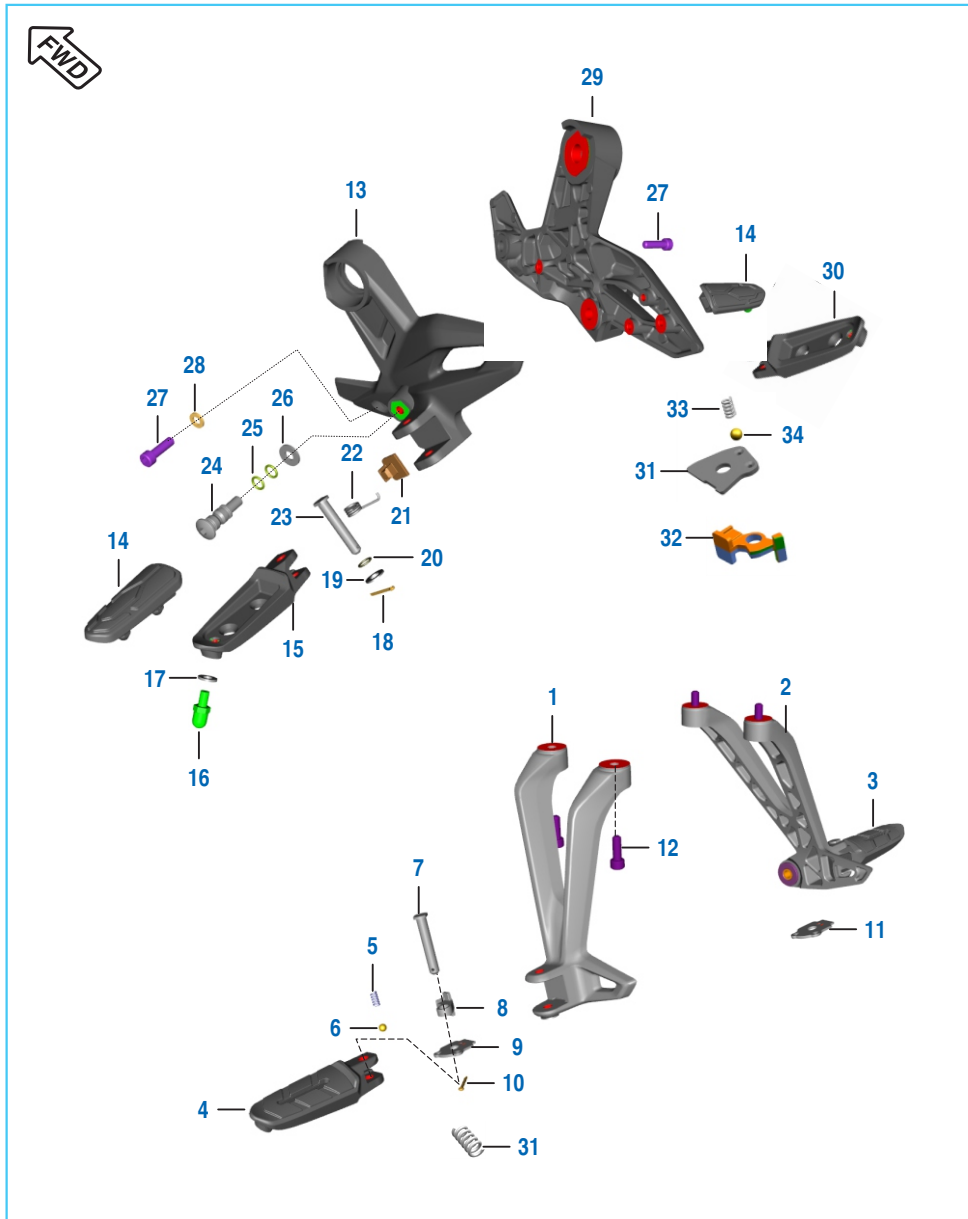
No.	Part No.	Description	Qty.	Remarks
21	39069415	Hex Lock Nut-M8X1.25	1	For Single Disc
22	KHBA0828	Pin Snap	2	For Single Disc
23	KCAA1008	Nut Hex M10X1.25	1	For Single Disc
24	LAA00095	Hex Bolt	1	For Single Disc

Foot Rest & Step Holder - Twin Disc



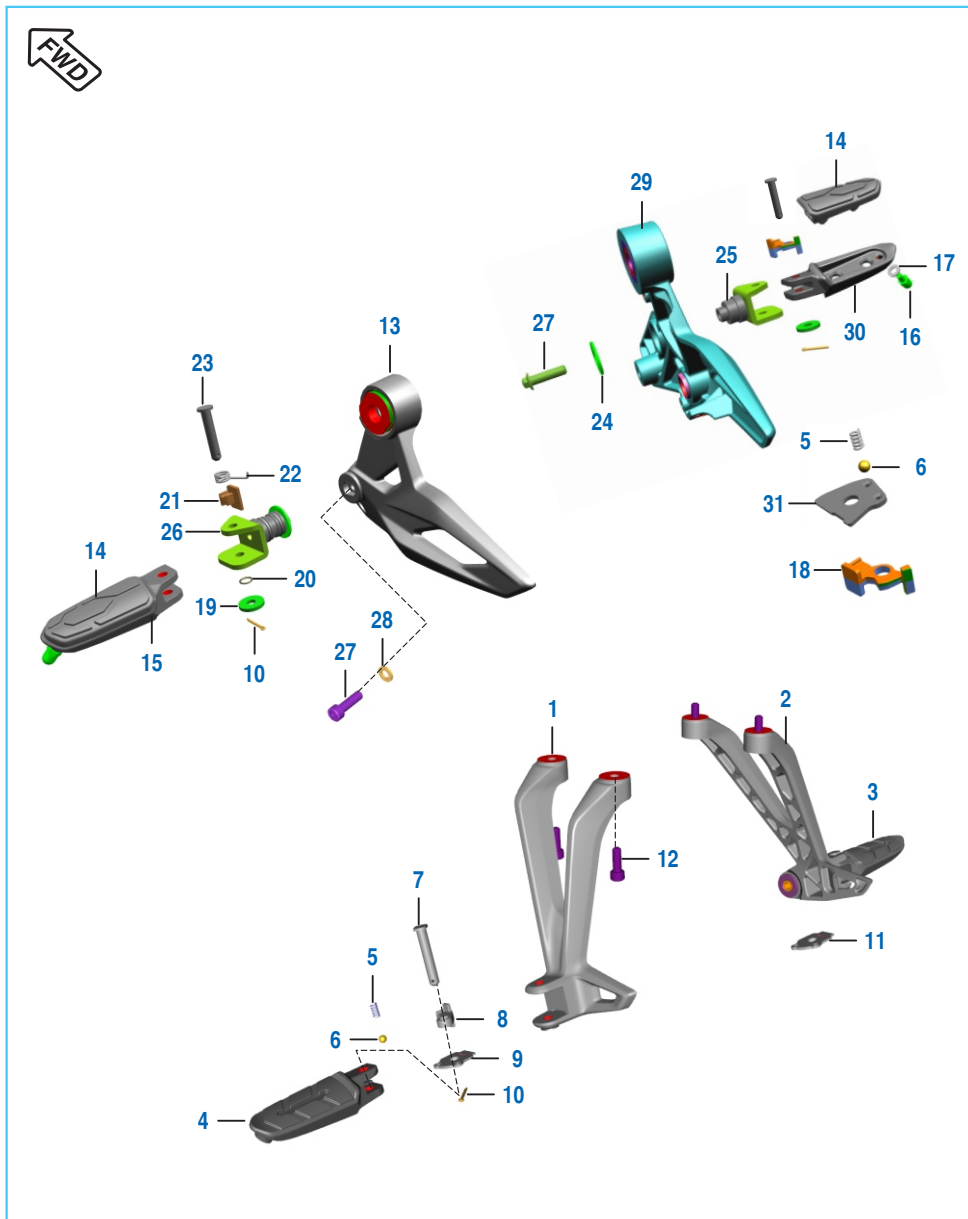
No.	Part No.	Description	Qty.	Remarks
1	56JR4J57	Holder Step Pillion LH	1	
2	56JR4S57	Holder Step Pillion RH	1	
3	56JR1957	Step Pillion Rh	1	
4	56JR1857	Step Pillion LH	1	
5	GF161143	Spring Pillion Footrest	2	
6	KMAA0800	Ball Steel	2	
7	JL113037	Pin Clevis Dia 8	2	
8	JL113036	Damper Step Pillion	2	
9	DT113014	Lock Plate LH	1	
10	KHAA2520	Pin Cotter	2	
11	DT113015	Lock Plate RH	1	
12	LAC00185	Bolt Socket M8x1.25	4	
13	56JR3X57	Holder Step LH	1	
14	JR113091	Pad Step	2	
15	56JF3S57	Step Rider LH	1	
16	JL113035	Bolt M6x1	2	
17	LDB00026	Washer Plain	2	
18	KHAA2520	Pin Cotter	2	
19	KDAA0816	Washer-kda-od/id/thk	2	
20	30141031	Ring O	2	

Foot Rest & Step Holder - Twin Disc



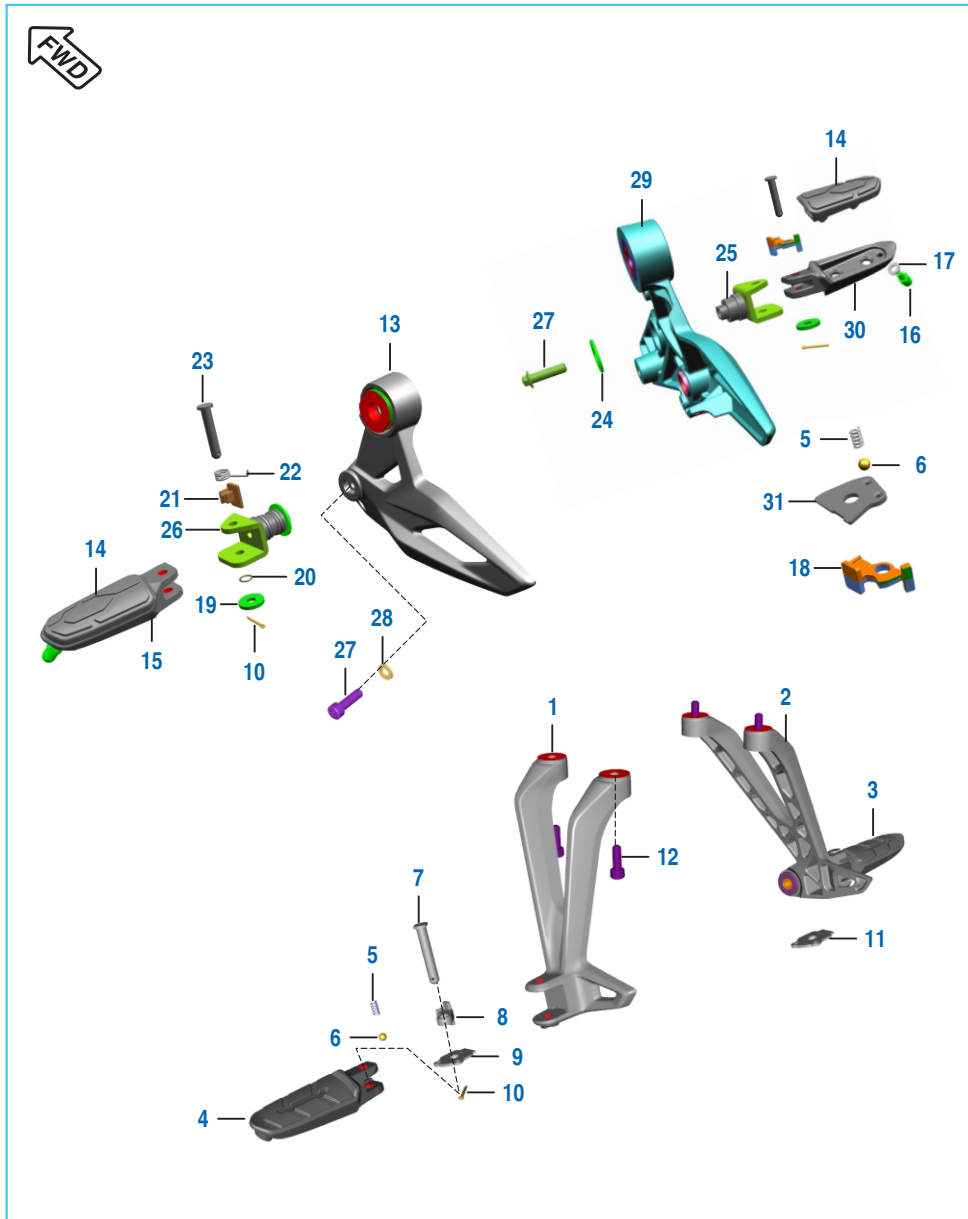
No.	Part No.	Description	Qty.	Remarks
21	DV161050	Stopper Step	2	
22	JF113012	Spring Torsion - K10	2	
23	LHE00003	Pin Clevis With Hole	2	
24	LAC00104	Bolt Scket-M8	1	
25	01100905	Ring O	2	
26	JL561410	Washer Plain	1	
27	LAC00216	Bolt Socket-M8	2	
28	39020011	Washer Plain	1	
29	56JR3Y57	Holder Step RH	1	
30	56JF3T57	Step Rider RH	1	
31	JR113063	Plate Holder Step Rh	1	
32	JR113069	Damper Step	1	
33	Gf161143	Spring Compression	1	
34	KMAA0800	Ball Steel	1	

Foot Rest & Step Holder - Single Disc



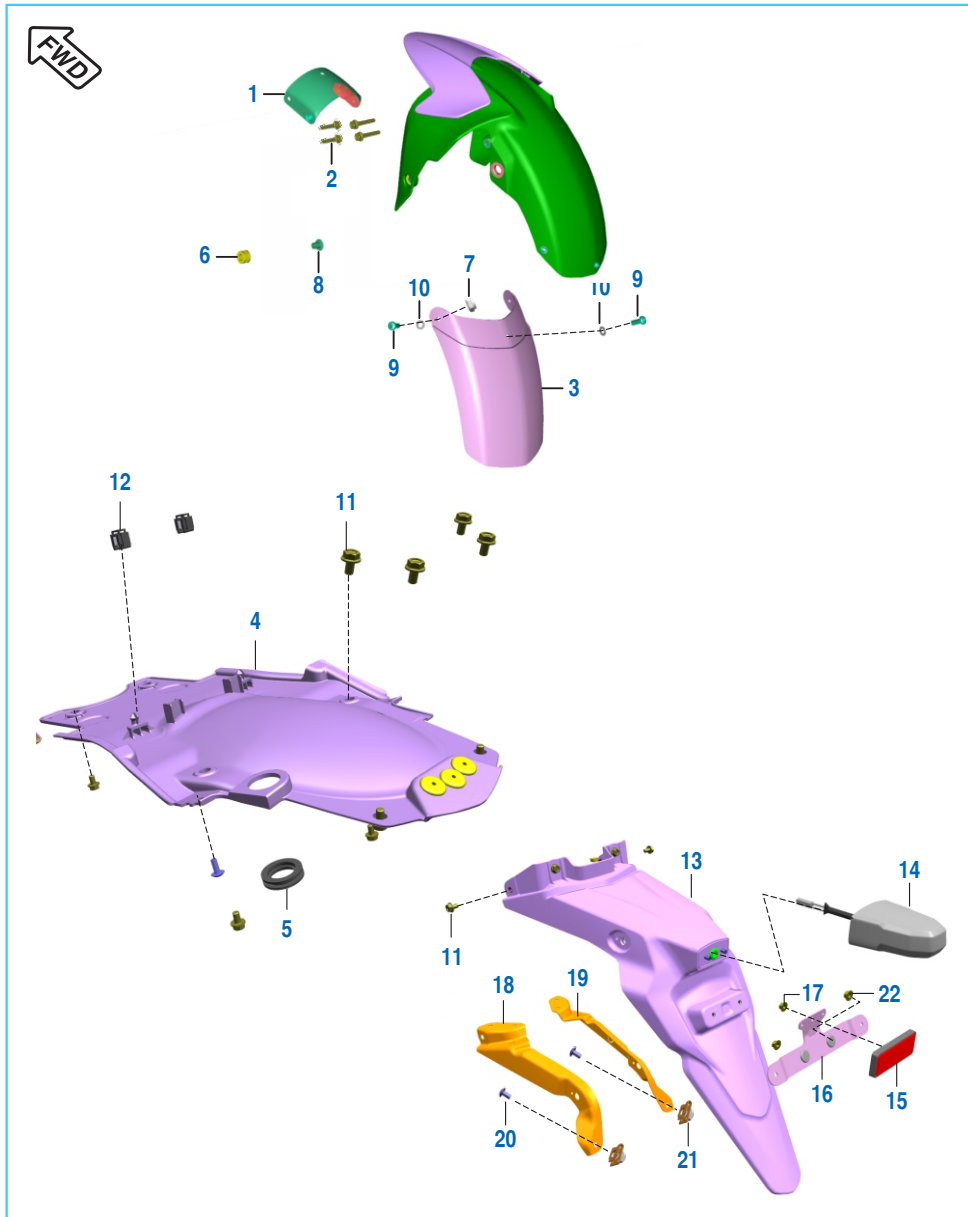
No.	Part No.	Description	Qty.	Remarks
1	56JRU957	Holder Step Pillion LH	1	
2	56JRV157	Holder Step Pillion RH	1	
3	56JR1957	Step Pillion RH	1	
4	56JR1857	Step Pillion LH	1	
5	GF161143	Spring Pillion Footrest	3	
6	KMAA0800	Ball Steel	3	
7	JL113037	Pin Clevis Dia 8	2	
8	JL113036	Damper Step Pillion	2	
9	DT113014	Lock Plate LH	1	
10	KHAA2520	Pin Cotter	3	
11	DT113015	Lock Plate RH	1	
12	LAC00185	Bolt Socket M8x1.25	4	
13	56JRU757	Holder Step LH	1	
14	JR113091	Pad Step	2	
15	56JR3S57	Step Rider LH	1	
16	JL113035	Bolt M6x1	2	
17	LDB00026	Washer Plain	2	
18	JR113069	Damper Step	1	
19	KDAA0816	Washer-kda-od/id/thk	2	
20	30141031	Ring O	2	
21	DV161050	Stopper Step	2	
22	JF113012	Spring Torsion - K10	2	
23	LHE00003	Pin Clevis With Hole	2	
24	LDB00034	Washer Plain	1	
25	JR113066	Bracket Assembly RH	1	

Foot Rest & Step Holder - Single Disc



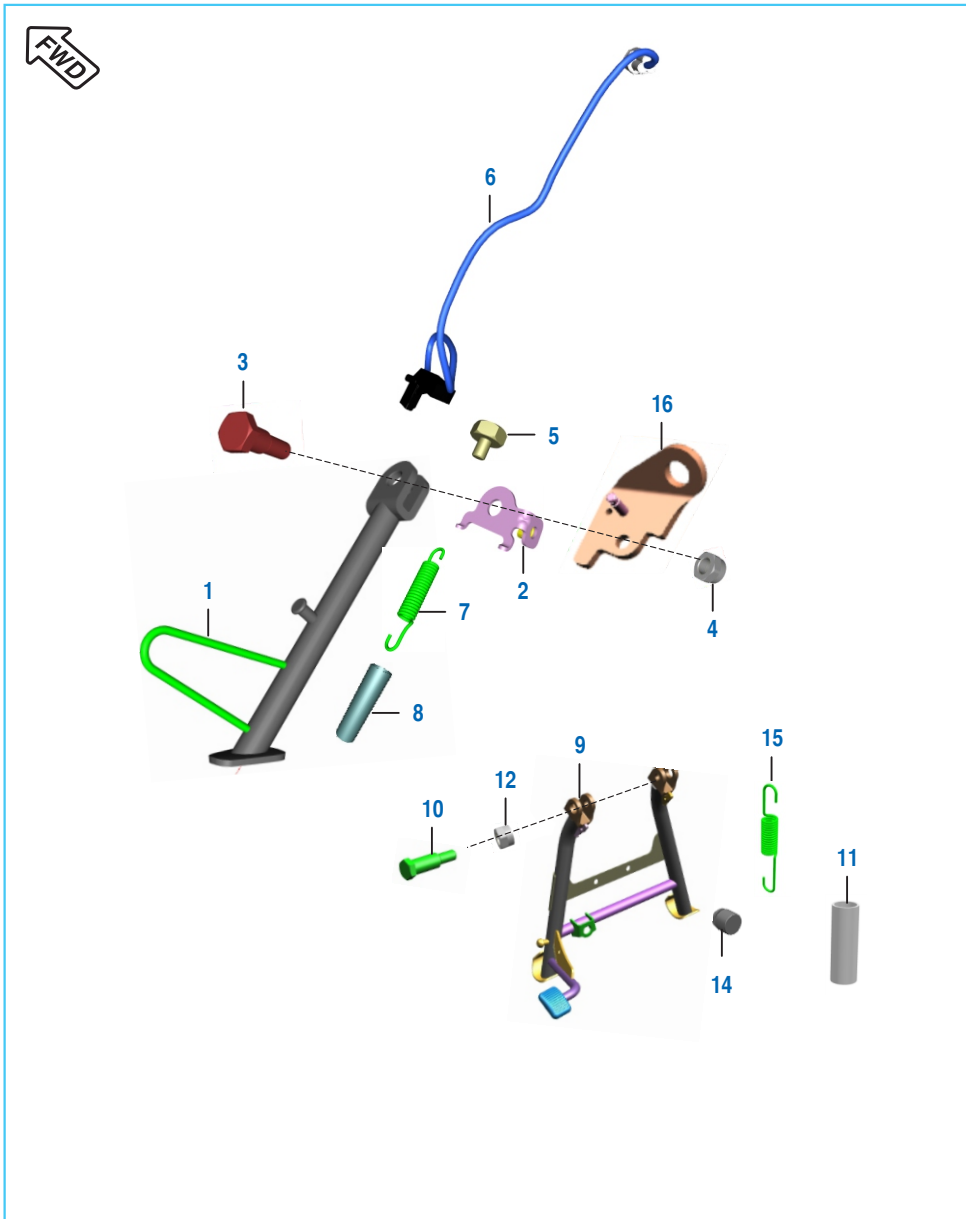
No.	Part No.	Description	Qty.	Remarks
26	JR113064	Bracket Assembly LH	1	For Single Disc
27	LAE00075	Bolt Flanged	1	
28	LDA00071	Washer Plain	1	
29	56JRU857	Holder Step RH	1	
30	56JRV657	Step Rider RH	1	
31	JR113108	Plate Holder Step Rh	1	

Mudguard - Front & Rear



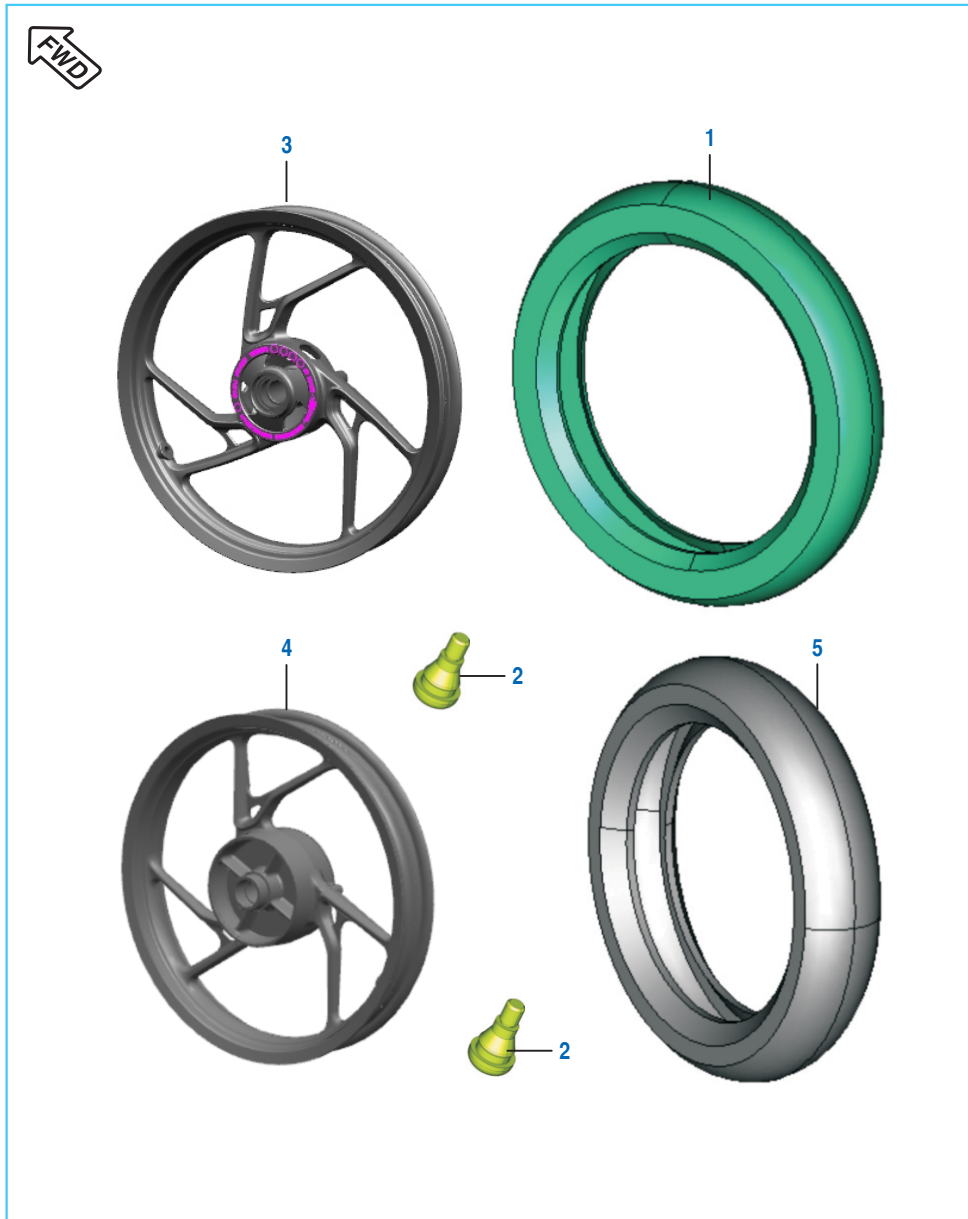
No.	Part No.	Description	Qty.	Remarks
1	JR181465	Brace Fender	1	
2	KAAD0822	Bolt	4	
3	JR181439	Flap Fender Front	1	
4	JR181004	Tray Under Front	1	
5	JL181252	Grommet Seat Cowl	1	
6	JH181234	Grommet Tail Lamp Mtg	2	
7	39118415	Nut Nyloc M5X0.8	3	
8	JH181293	Collar	2	
9	KBBC0512	Screw Pan Cross	3	
10	KDAE0510	Washer Plain Small	6	
11	KADF0610	Bold Flange	6	
12	PD402211	Clamp For Head Lamp Harness	2	
13	JR181407	Fender Rear	1	
14	JR401019	Lamp Plate Number	1	
15	JU401024	Reflector Reflex	1	
16	JR181461	Bracket	1	
17	KCGC0505	Nut Hex Flanged	1	
18	JR181441	Reinforcement Fender LH	1	
19	JR181458	Reinforcement Fender RH	1	
20	KBUC0510	Screw Truss M5X0.8	2	
21	JG171031	Nut Clip M5	2	
22	KCGC0606	Nut Hex Flanged	2	

Parking Stands



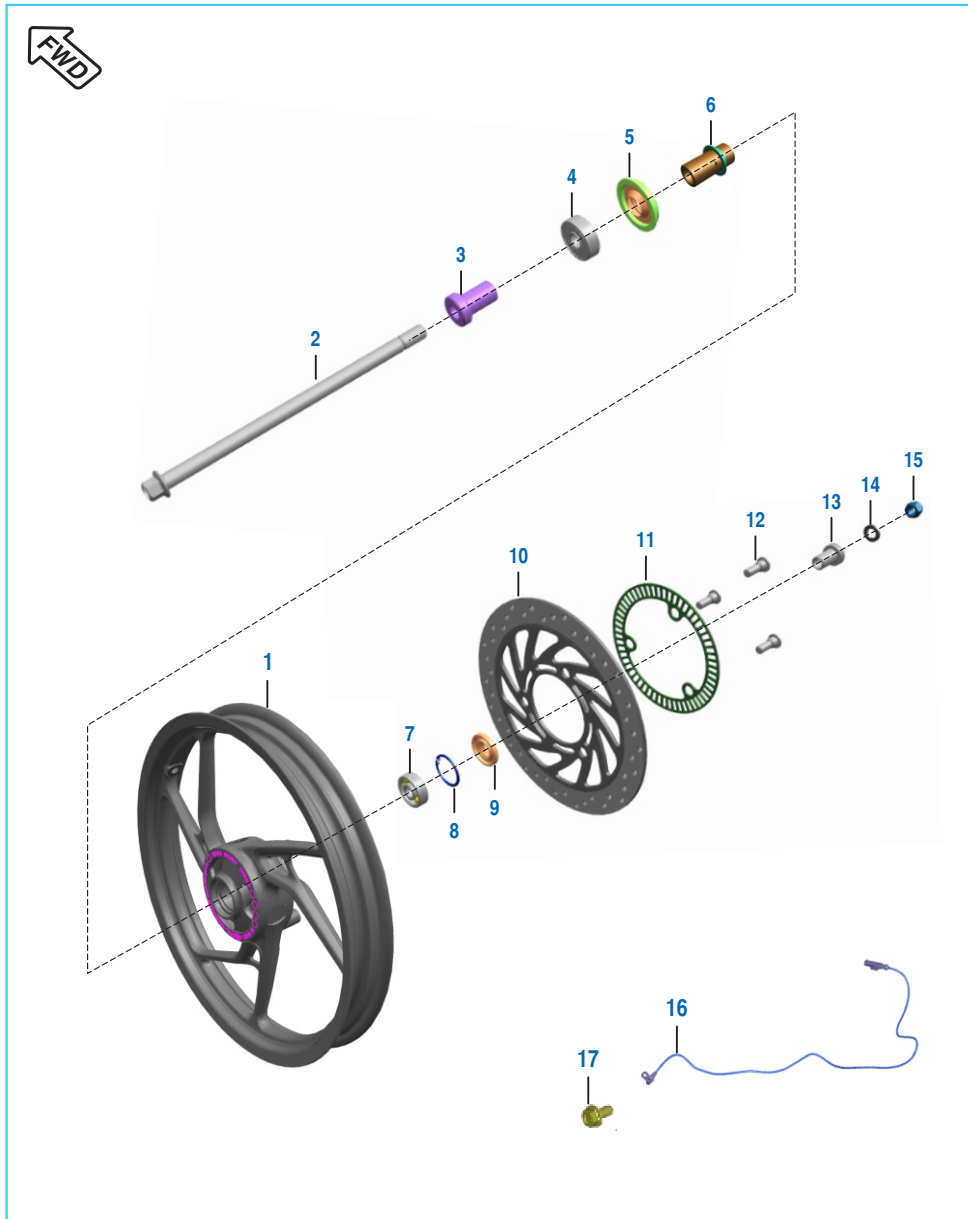
No.	Part No.	Description	Qty.	Remarks
1	JR113216	Stand Side	1	
2	JR113220	Bracket Holder Magnet	1	
3	JG113207	Bolt	1	
4	LCH00001	Nut Nyloc-m10x1.25xht	1	
5	JZ403601	Holder Magnet	1	
6	JF401415	Switch Stand Side	1	
7	JL113209	Spring Tension	1	
8	DH161146	Cover Spring Side Stand	1	
9	JR113214	Main Stand	1	
10	LAA00091	Bolt Socket M8x1.25	2	
11	JR113234	Cover Spring Main Stand	1	
12	LCH00001	Nut	2	
13	JD402215	Band	3	
14	GL113216	Damper Center Stand	1	
15	JR113227	Spring Main Stand with Cover	1	
16	JR111285	Bracket Side Stand	1	

Tube / Tyre



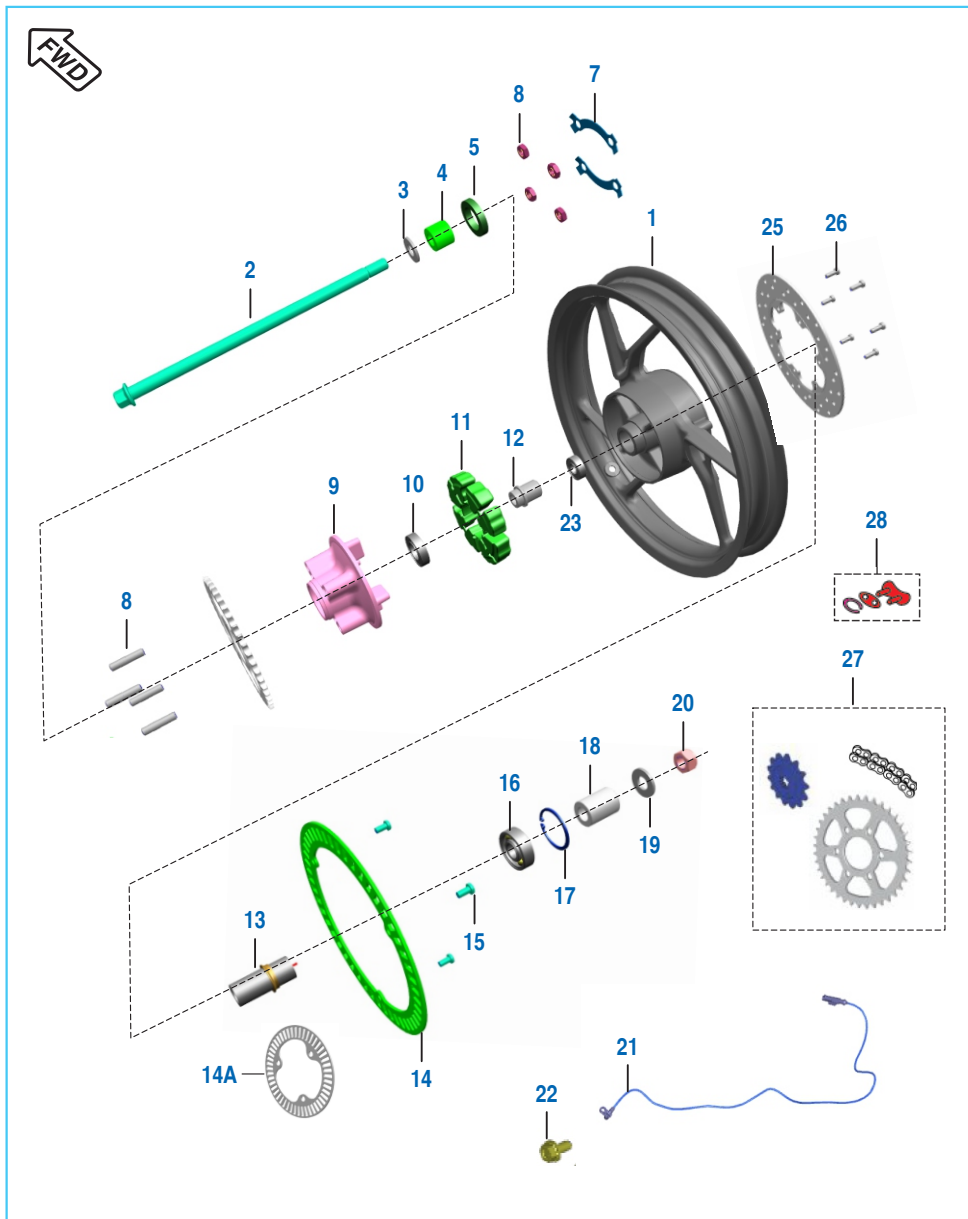
No.	Part No.	Description	Qty.	Remarks
1	JF131010	Tyre Front 80/100-17	1	Single Disc
	DK151039	Tyre Front 90/90-17	1	Twin Disc
2	DK151026	Valve Tubeless Tyre	2	
3	56JZ2Z1Y	Wheel Front 2.15X17	1	
4	56JZ3A1Y	Wheel Rear 2.15X17	1	Single Disc
	56JZ611Y	Wheel Rear 2.15X17	1	Twin Disc
5	JF131211	Tyre Tubeless Rear 100/90-17	1	Single Disc
	JF131222	Tyre Tubeless 110/80-17	1	Twin Disc

Front Wheel Hub



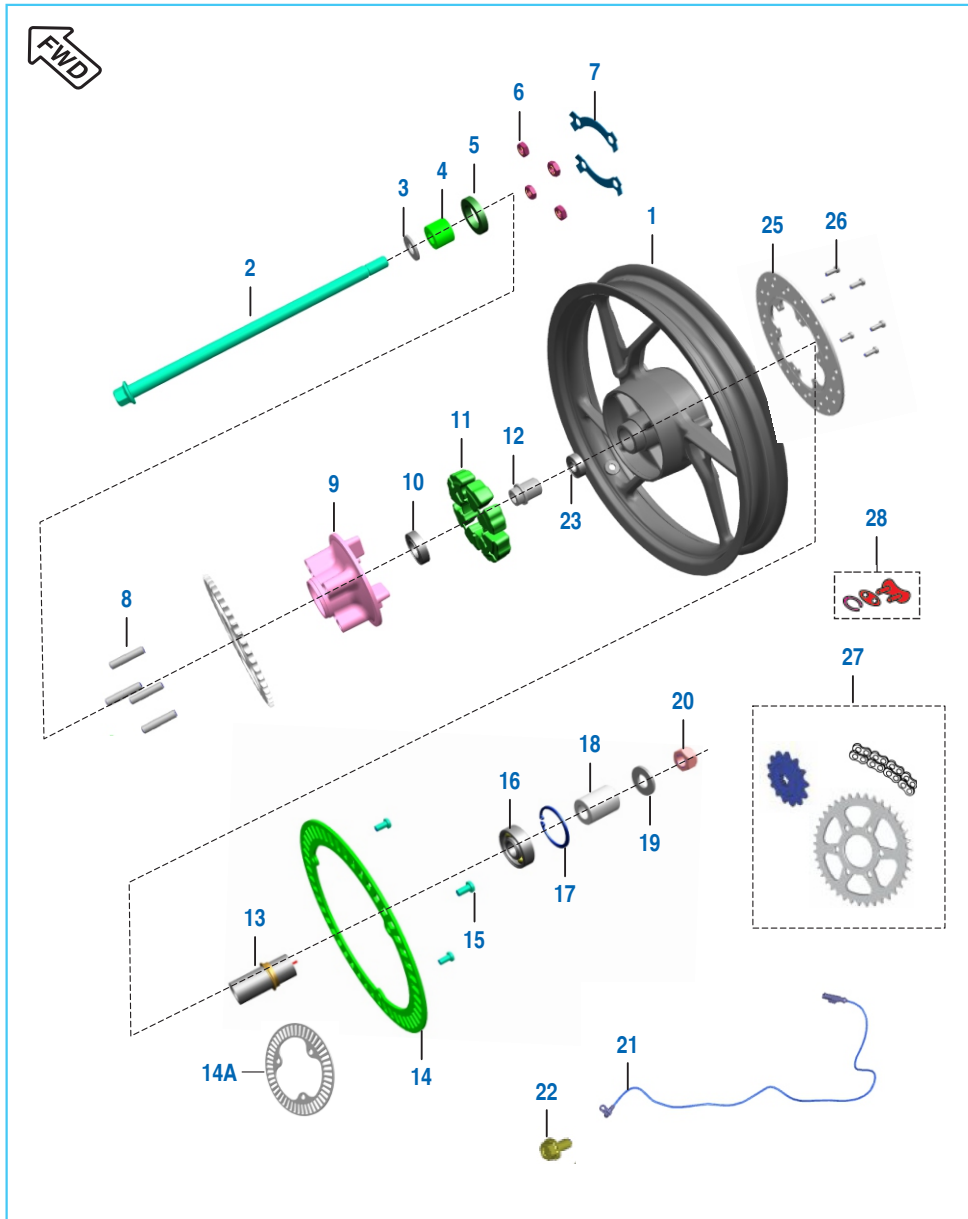
No.	Part No.	Description	Qty.	Remarks
1	56JZ2Z1Y	Wheel Front Mt 2.15x17	1	
2	JF131008	Axle	1	
3	JR131062	Coller	1	
4	KPBB6301	Bearing-Ball-C3 Clearance		
5	Jf131022	Cover-collar Wheel Front	1	
6	DE151006	Spacer Assy	1	
7	KPBB6301	Bearing-ball-C3 Clearance	1	
8	KEBB3715	Circlip Internal	1	
9	30151033	Seal Oil	1	
10	JR131801	Disc Brake Dia 260	1	
11	JR131058	Disc Sensor Speed	1	
12	LAC00197	Bolt Socket Step M10X1.5	3	
13	JN131003	Spacer	1	
14	KDAB1222	Washer Plain Small	1	
15	KCJD1212	U Nut U-M12X1.25	1	
16	JR403608	Sensor Speed Wheel	1	
17	DK151026	Valve Tyre Tubeless	1	

Rear Wheel Hub



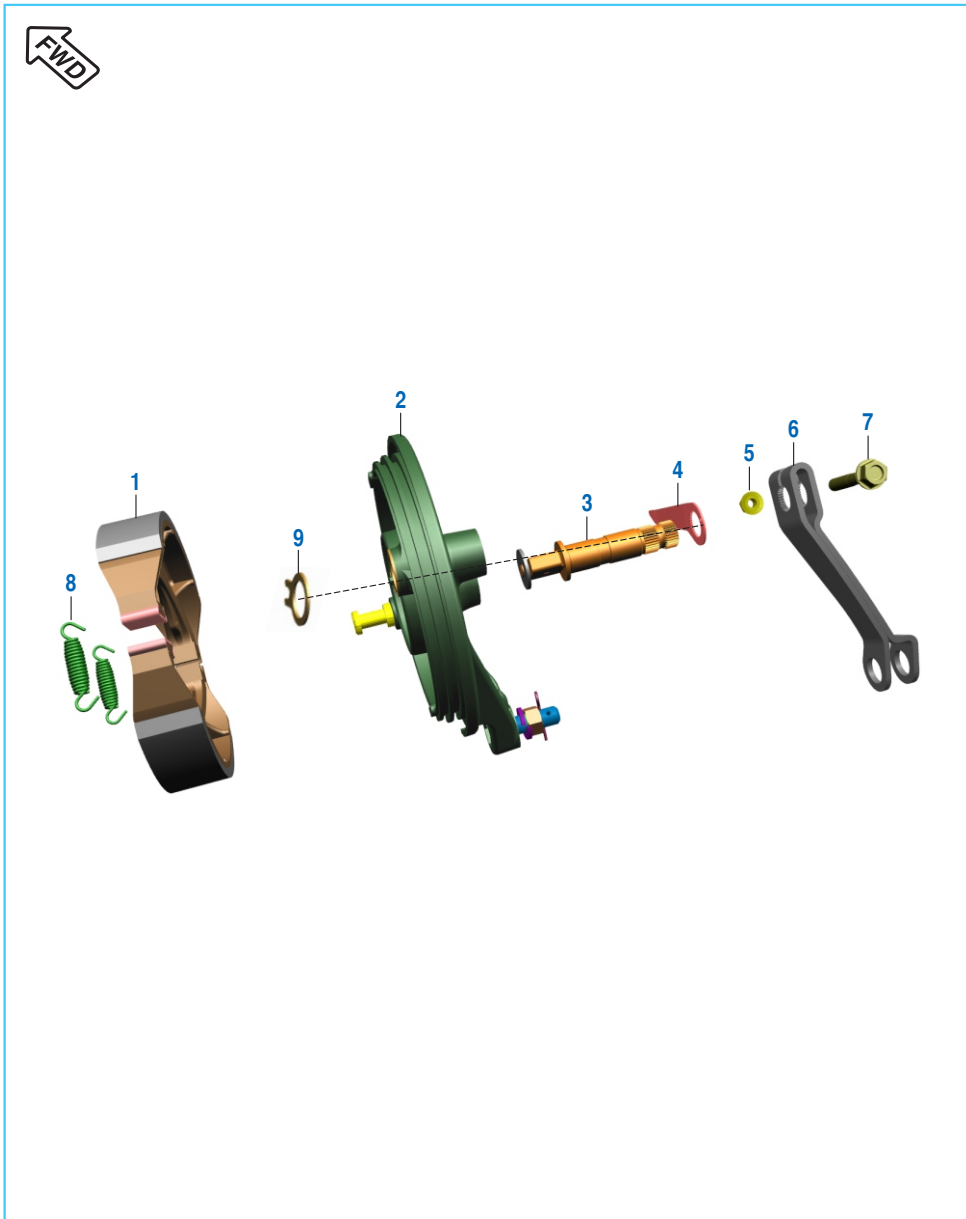
No.	Part No.	Description	Qty.	Remarks
1	56JZ3A1Y	Wheel Rear 2.15X17	1	Single Disc
	56JZ611Y	Wheel Rear 2.15X17	1	Twin Disc
2	JF131236	Axle M12X1.25	1	
3	LDB00001	Washer Plain	2	
4	JR131261	Spacer	1	
5	DK151012	Seal Oil	1	
6	DS151073	Bolt Stud M10X1.25	4	
7	PF131220	Washer Lock For Nut A/F17	2	
8	LCB00005	Nut Hex M10x1.25	4	
9	JR131245	Coupling	1	
10	KPAC6005	Bearing Ball Ordinary	1	
11	JG131219	Coupling Rubber	1	
12	DK151015	Sleeve	1	
13	30151075	Collar Bearing	1	For Single Disc
	JR131259	Spacer Assembly	1	For Twin Disc
14	JR131083	Disc Sensor Speed Rear	1	For Single Disc
14A	TA131845	Disc Sensor Speed Rear	1	For Twin Disc
15	LBB00020	Screw	3	
	JG131220	Screw	3	
16	KPBB6302	Bearing-ball-c3 Clearance	1	
17	KEBA4217	Circlip Internal	1	
18	JF131209	Spacer Panel Side	1	For Single Disc
	DK151081	Spacer 1	1	For Twin Disc

Rear Wheel Hub



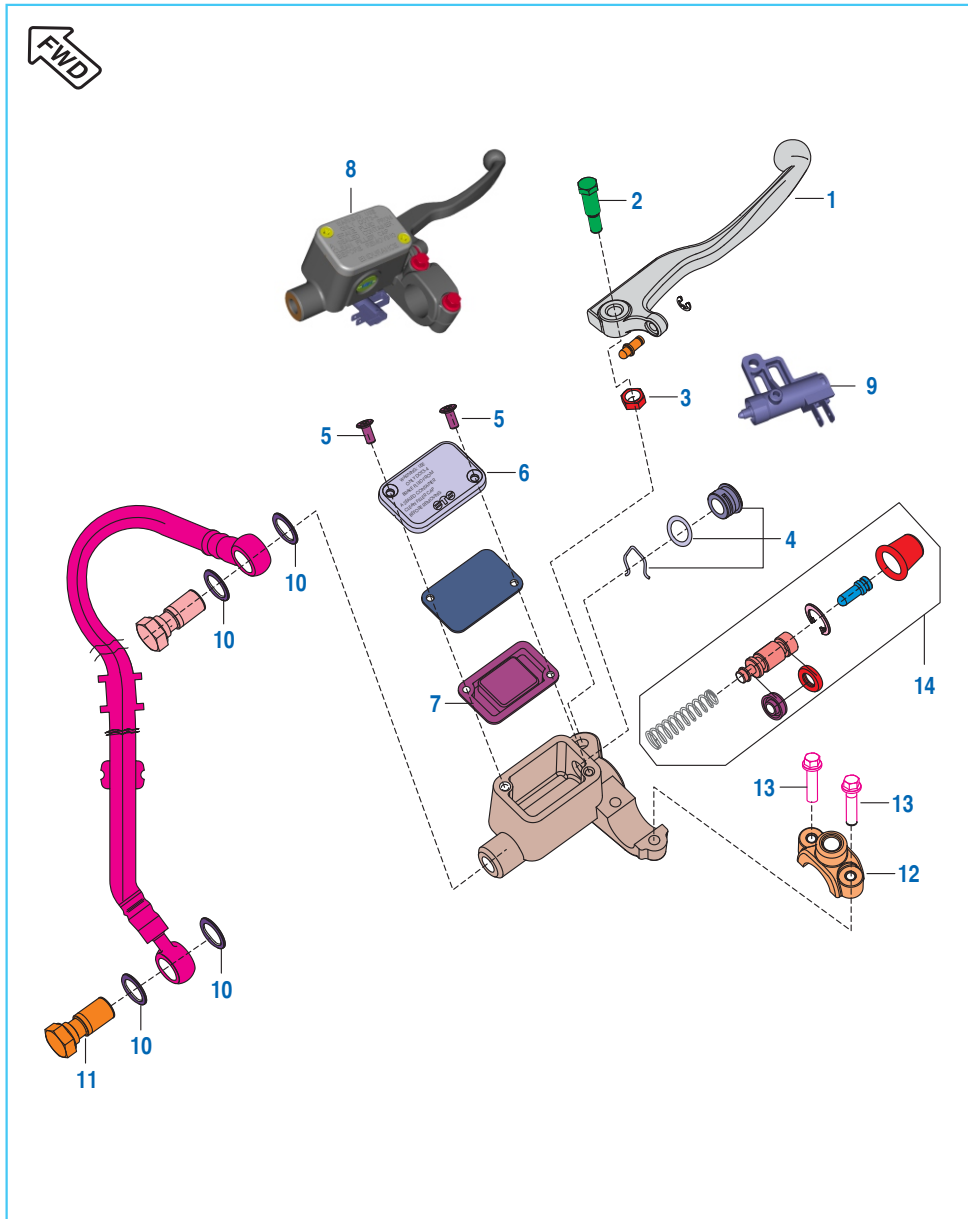
No.	Part No.	Description	Qty.	Remarks
19	LDB00001	Washer Plain	2	
20	LCJ00002	Nut U M14x1.5	1	
21	JR403608	Sensor Speed Wheel	1	
22	KADT0614	Bolt Flanged M6X1	1	
23	KPBB6202	Bearing-ball-c3 Clearance	1	
24	30151082	Seal Oil	1	
25	DK151097	Disc Brake Dia 230	1	For Twin Disc
26	DH151040	Bolt	6	For Twin Disc
27	36JR0130	Kit Chain Sprocket	1	
28	JD 1410 03	Drive Chain Lock	1	

Rear Brake Panel - Drum Brake



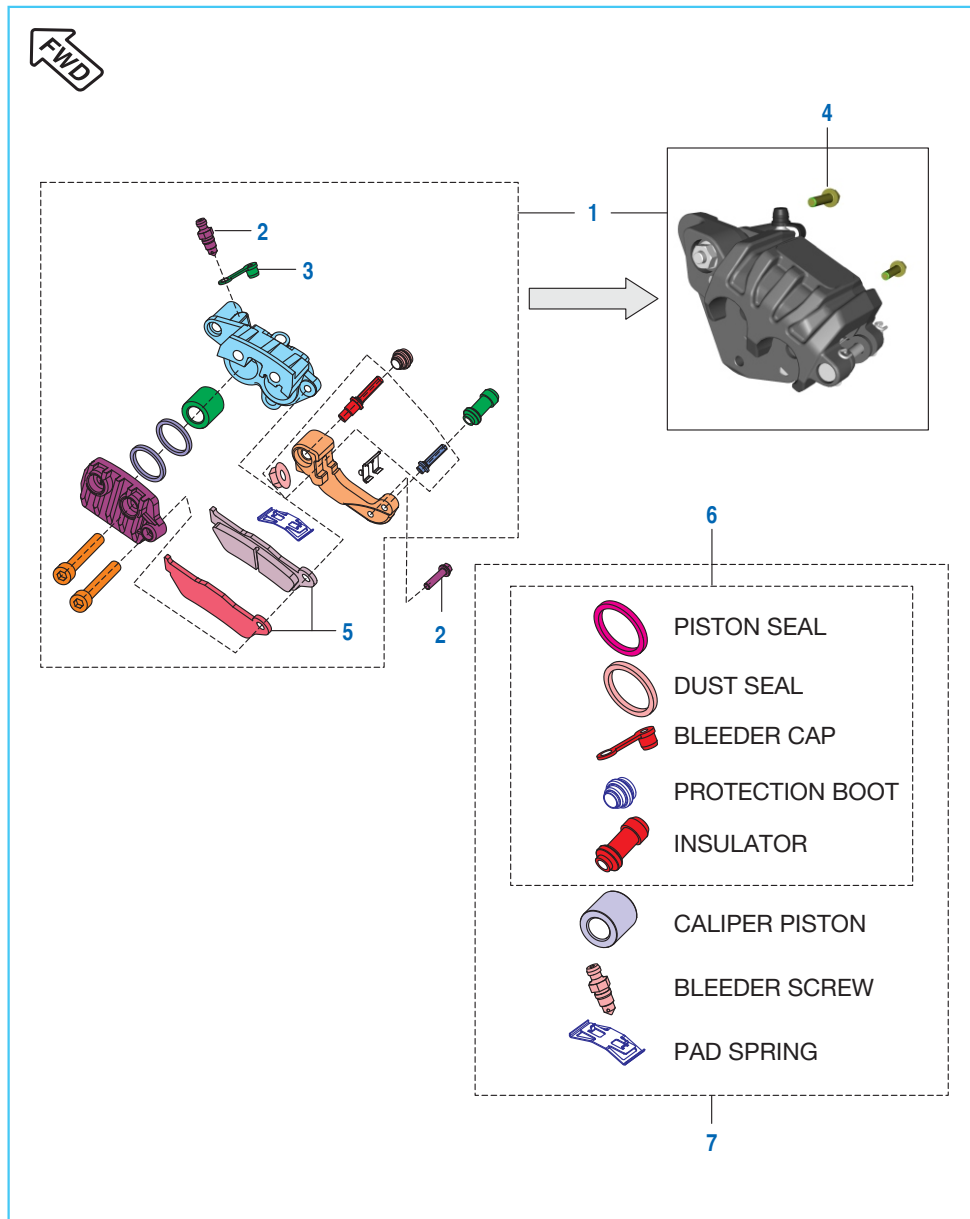
No.	Part No.	Description	Qty.	Remarks
1	JN131812	Brake Shoe Assly	1	
2	JR131872	Panel Brake Rear	1	
3	JC151004	Cam Assembly Brake	1	
4	JC151006	Indicator	1	
5	LCL00002	Nut Flanged-m6x	1	
6	JF131600	Lever Panel Brake Rear	1	
7	KADF0635	Bolt Flanged M6x1	1	
8	30151069	Spring	2	
9	JC151012	Special Washer Panel Rr	1	

Front Master Cylinder - Disc Brake



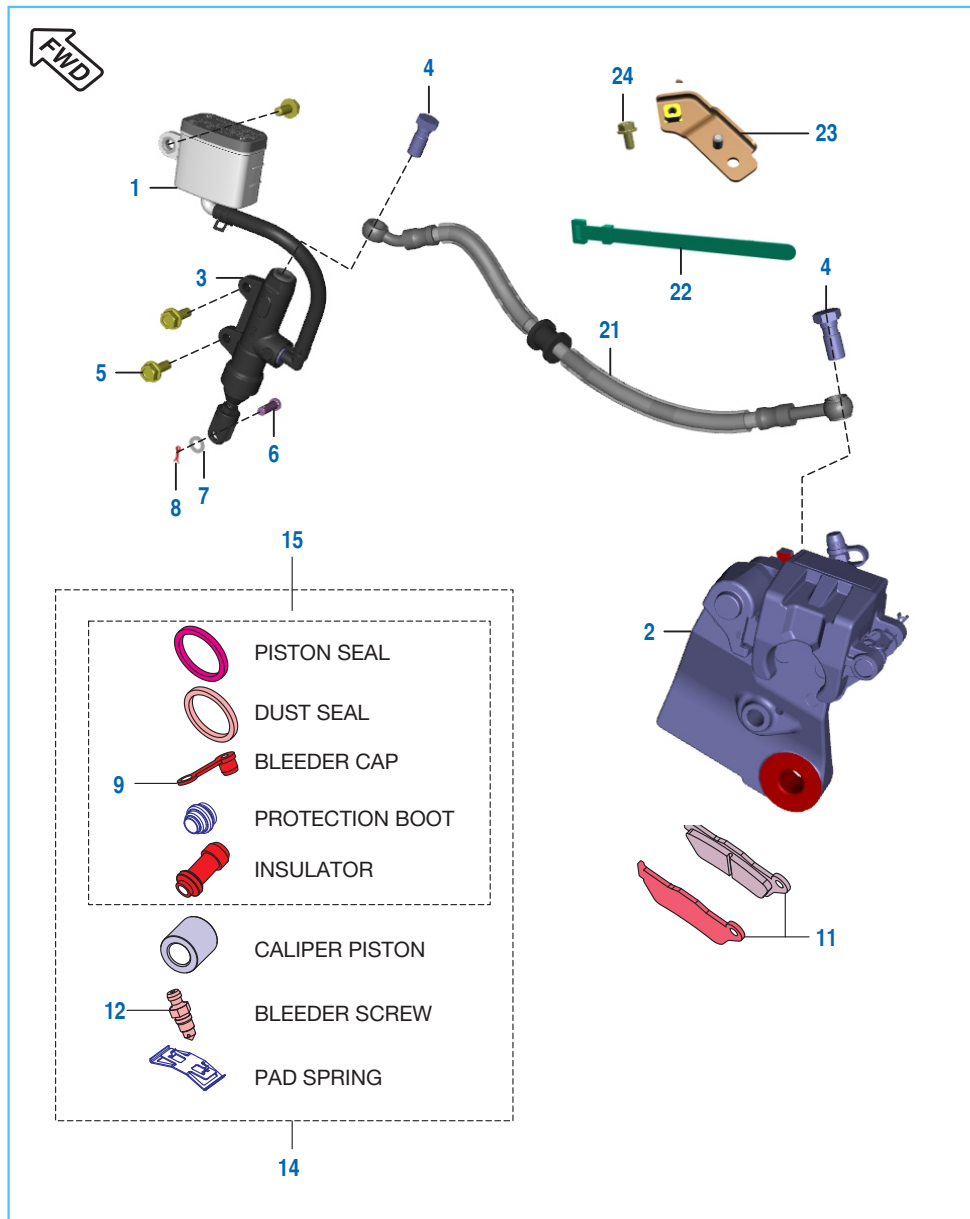
No.	Part No.	Description	Qty.	Remarks
1	JG161010	Lever Front Brake	1	
2	DJ191029	Bolt Front Brake Lever	1	
3	DJ191030	Nut	1	
4	36DH1902	Oil Window Kit	1	
5	DJ191031	Screw	2	
6	DJ191034	Cover - Reservoir	1	
7	DJ191035	Diaphragm	1	
8	JF131837	Cylinder Assembly Master Front	1	
9	DJ201109	Brake Switch	1	
10	DJ191026	Washer - Copper	8	
11	GL131827	Bolt - Banjo	4	
12	36JR0048	Front Master Cylinder Fastening Cap	1	
13	YJR05036	Bolt Flanged	2	
14	36JF0018	Major Kit M Cylinder - ABS	1	
14A	36JF0019	Minor Kit M Cylinder - ABS	1	

Front Caliper Assembly - Disc Brake



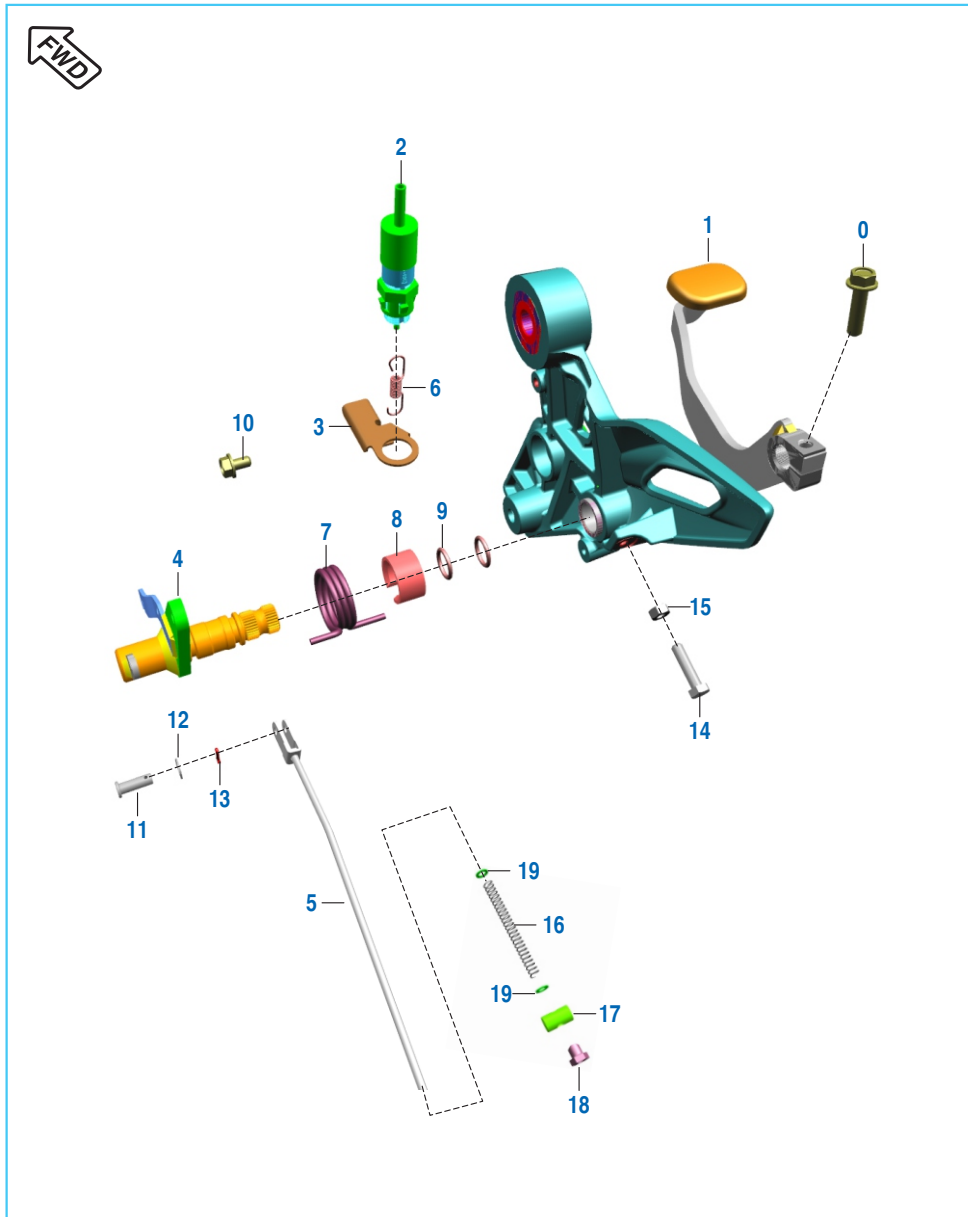
No.	Part No.	Description	Qty.	Remarks
1	JR131807	Caliper Assy Brake Front	1	
2	YJR05034	Screw Bleeder	1	
3	DJ151070	Bleeder Cap	1	
4	LAD00319	Bolt Flange	2	
5	JR131827	Disc Pad	1	
6	36JR0047	Minor Kit	1	
7	36JR0046	Major Kit	1	
8	DK151136	Brake Pad Set	1	

Rear Disc Brake Assembly



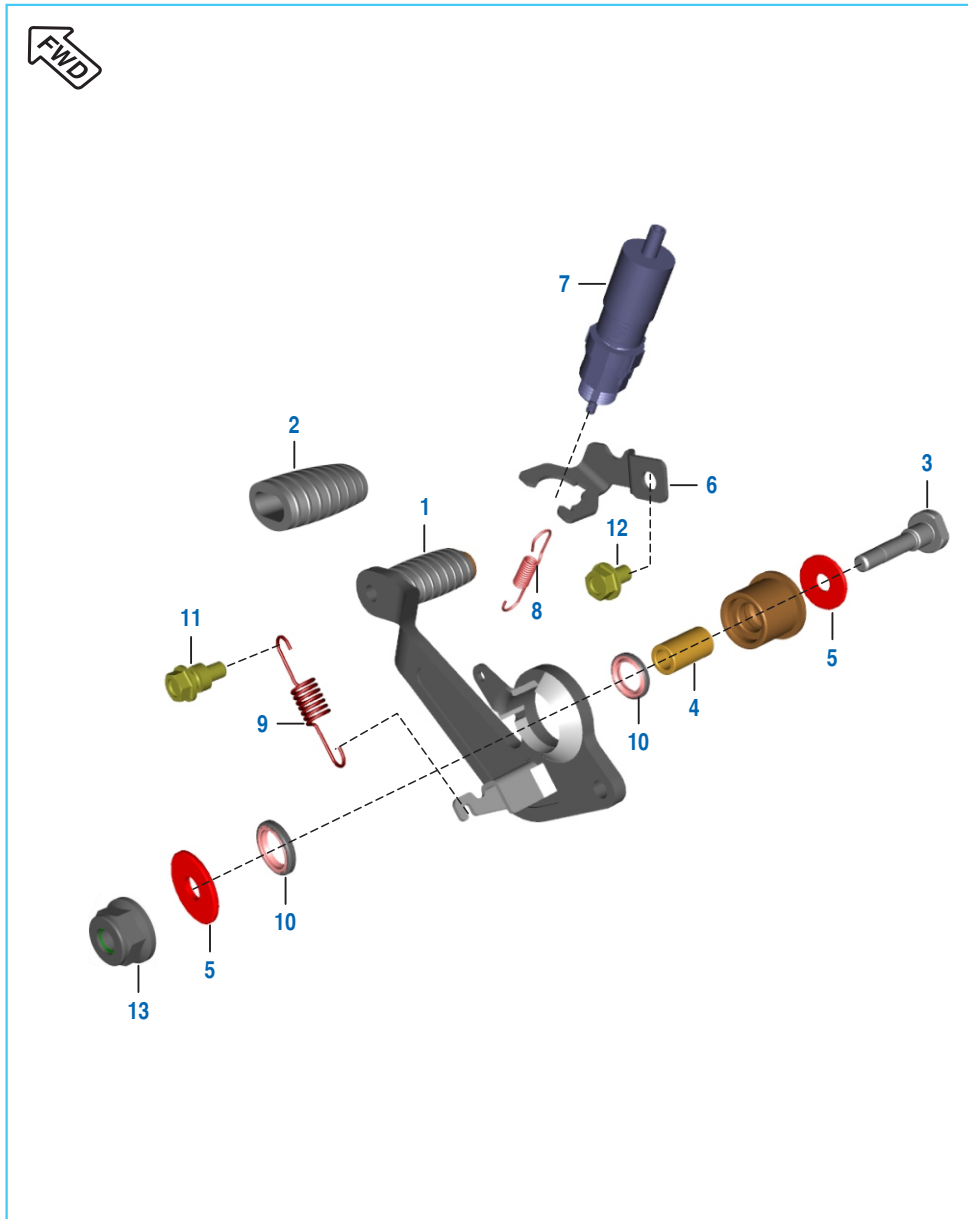
No.	Part No.	Description	Qty.	Remarks
1	36JR0052	Reservoir Assembly Kit	1	
2	JR131829	Caliper Assembly Rear	1	
3	JR131913	Cylinder Master Rear	1	
4	GL131827	Bolt Banjo	2	
5	LAD00077	Bolt Flange-m6x1x16	2	
6	LHA00001	Pin	1	
7	KDAA0611	Washer Plain	1	
8	KHAA2015	Pin Cotter	1	
9	DJ151070	Cap Bleeder Screw	1	
10	KADF0614	Bolt Flanged	1	
11	36DH4174	Pad Set Brake Rear	1	
12	YJR05034	Bleeder Screw	1	
13	36JR0050	Master Cyl Push Rod-fork Kit1	1	
14	36DH4175	Kit Major Caliper	1	
15	36DH4177	Kit Minor Caliper	1	
16	36JR0049	Kit Major M Cylinder	1	N.I
17	36JF0019	Kit Minor M Cylinder	1	N.I
18	36JR0051	Master Cyl Seal Kit	1	N.I
19	36JR0053	Filler Union , O-ring Kit	1	N.I
20	36JR0054	Hose Tube -clamp Kit	1	N.I
21	36JR0036	Kit Hose Brake Rear	1	
22	30191048	Band	1	
23	JR113941	Bracket Reservoir	1	
24	KADC0612	Bolt	1	

Rear Brake Pedal - Drum Brake



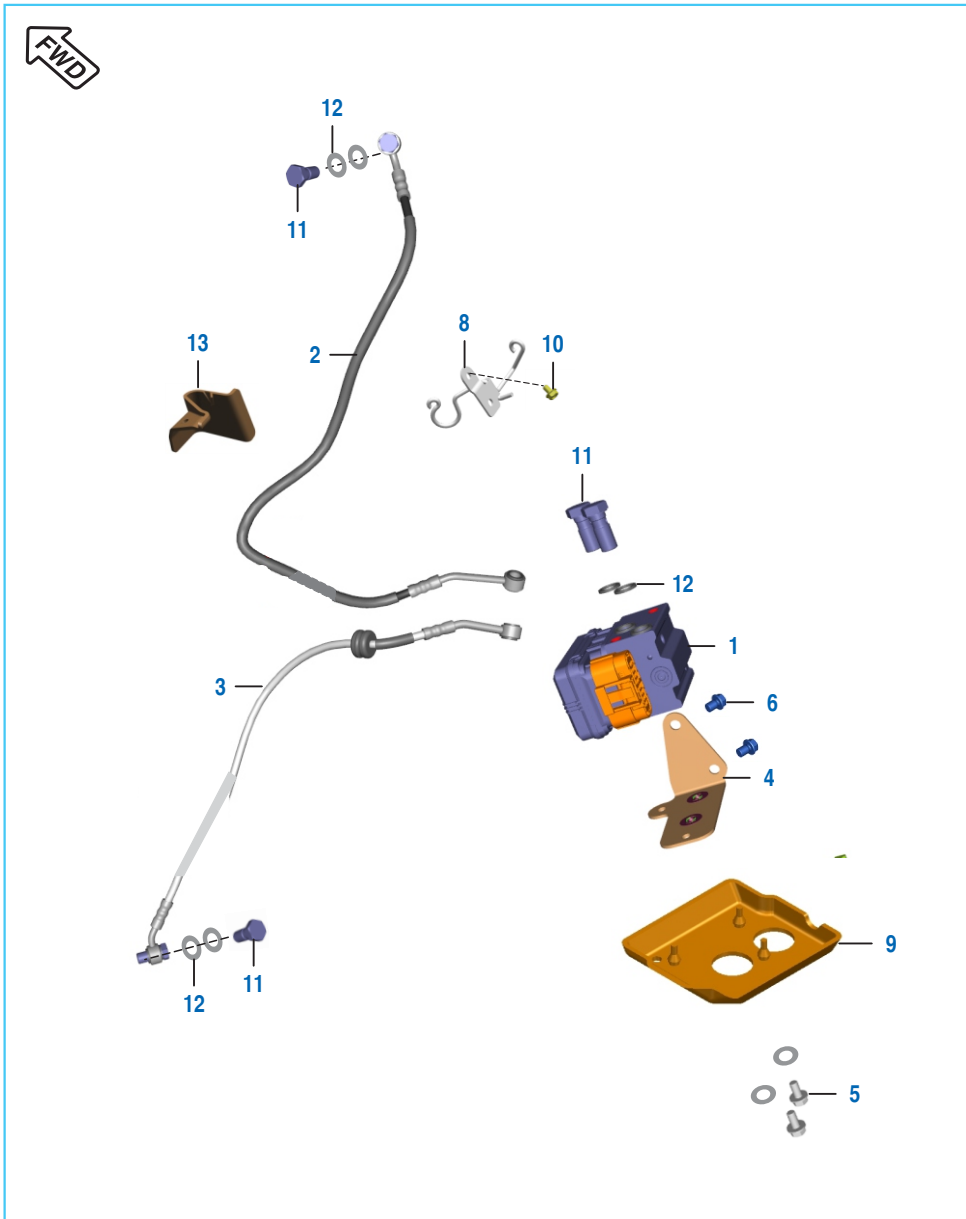
No.	Part No.	Description	Qty.	Remarks
1	JR161006	Pedal Brake	1	
2	JL401406	Brake Switch-rear	1	
3	JR131839	Bracket Switch Brake	1	
4	JR161007	Shaft Assembly Brake	1	
5	JR131838	Rod Brake	1	
6	PA161004	Spring Rear Brake Switch	1	
7	DH191006	Spring Brake Pedal	1	
8	DH191013	Spacer Brake Shaft Assy	1	
9	KJAA1424	O Ring	2	
10	KADF0610	Bolt Flanged M6x1	1	
11	30191038	Pin	1	
12	KDAA0611	Washer Plain Small	1	
13	KHAA2015	Pin Cotter	1	
14	KAAG0625	Bolt M6x1	1	
15	KCAD0605	Nut Hex M6x1	1	
16	JC191008	Spring Brake Rod	1	
17	JC191011	Pin Brake	1	
18	JC191007	Nut Brake Rod	1	
19	LDA00069	Washer	2	

Rear Brake Pedal - Rear Disc Brake (Twin Disc)



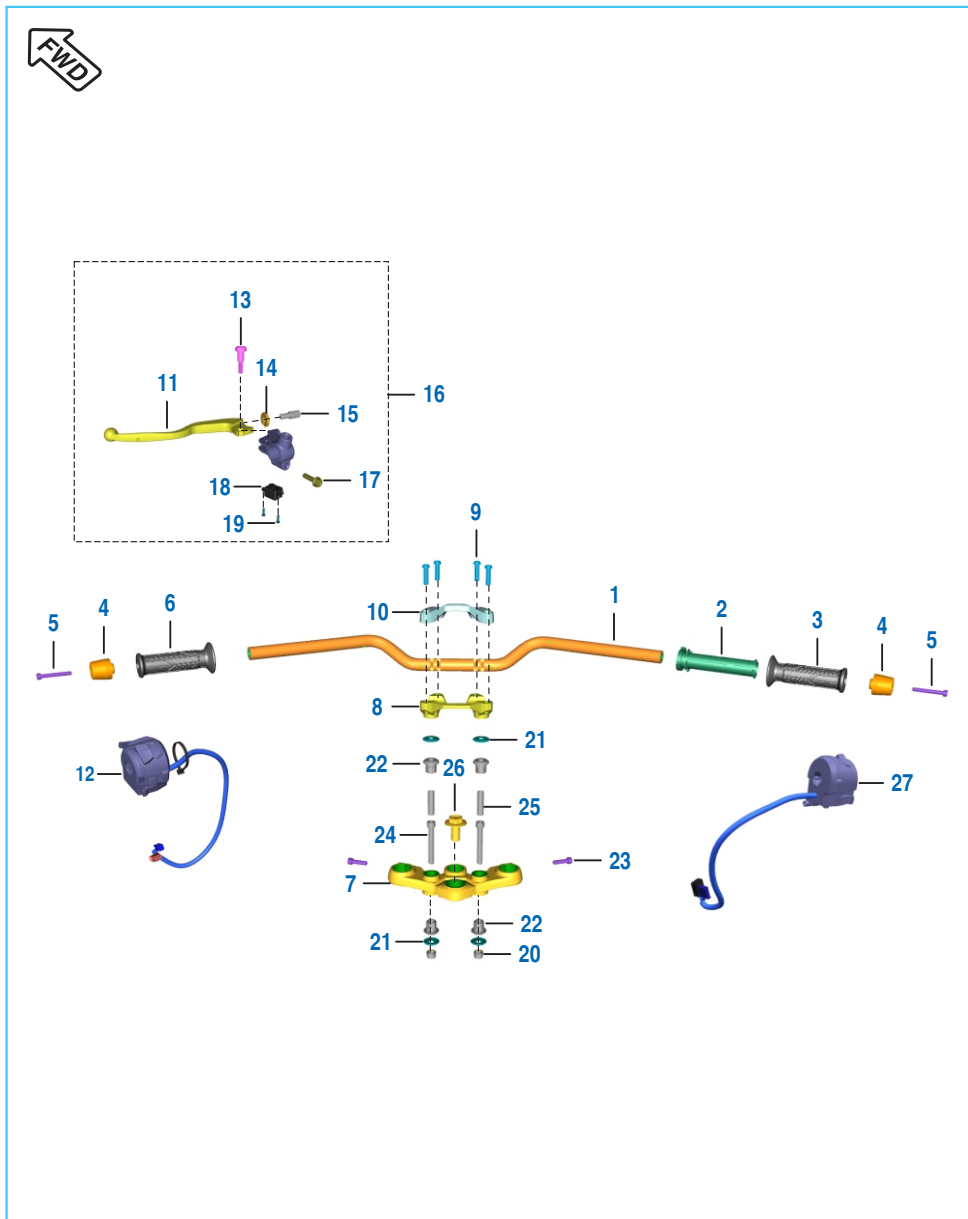
No.	Part No.	Description	Qty.	Remarks
1	JR161043	Pedal Assembly Brake	1	
2	DG101339	Damper	1	
3	DK101186	Bolt Pivot Lever Change	1	
4	DK101187	Collar Pivot Bolt	1	
5	DK101185	Washer Pivot Bolt	2	
6	JR113056	Bracket Switch Brake	1	
7	DJ201253	Switch Brake	1	
8	PA161004	Spring Rear Brake Switch	1	
9	JU161002	Return Spring Brake Pedal	1	
10	39199819	Seal - Oil	2	
11	LAD00270	Bolt Flanged Step M6x1	1	
12	LAD00085	Bolt Flanged-M6X1XLPre-Coat	1	
13	DH161245	Nut U-M8X1.25	1	

Anti Lock Braking System



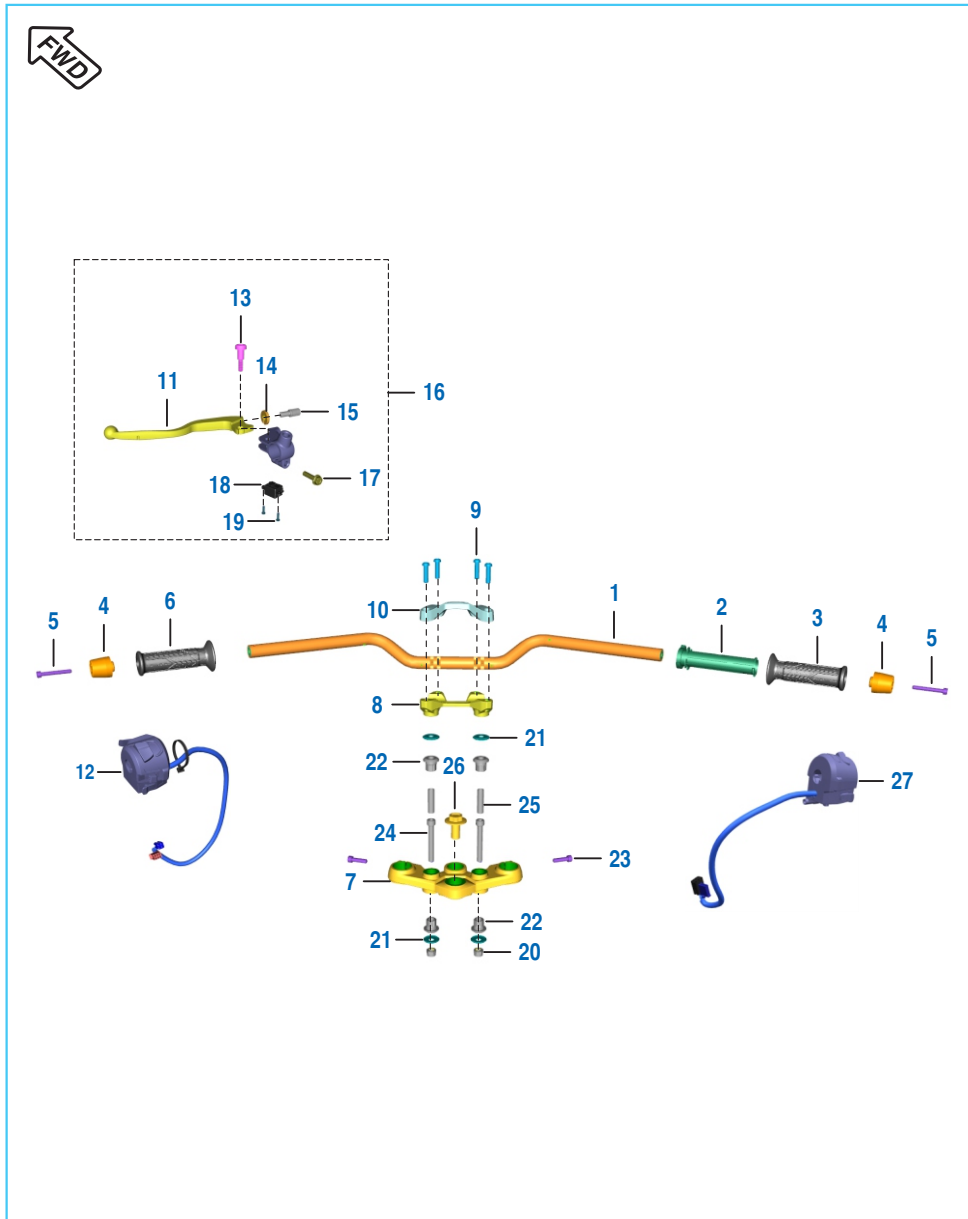
No.	Part No.	Description	Qty.	Remarks
1	JR131936	Unit ABS Wet-Bosch	1	
	JR131938	Unit ABS Wet-Endurance	1	
2	36JR0133	Hose Cylinder Master Fr Unit ABS	1	
3	36JR0132	Hose Unit ABS to Caliper Front	1	
4	JR113800	Bracket Unit ABS	2	
5	LDB00084	Washer	2	
6	KAED0608	Bolt Flanged Small	2	
7	LAE00021	Bolt Flanged M6x1	4	
8	JR131878	Hook	1	
9	JR113908	Case Unit ABS	1	
10	KADD0610	Bolt Flanged	1	
11	GL131827	Bolt Banjo	4	
12	DJ191026	Copper Washer	4	
13	JR113896	Holder Hose	1	

Handle Bar Assembly - Single Handle Bar



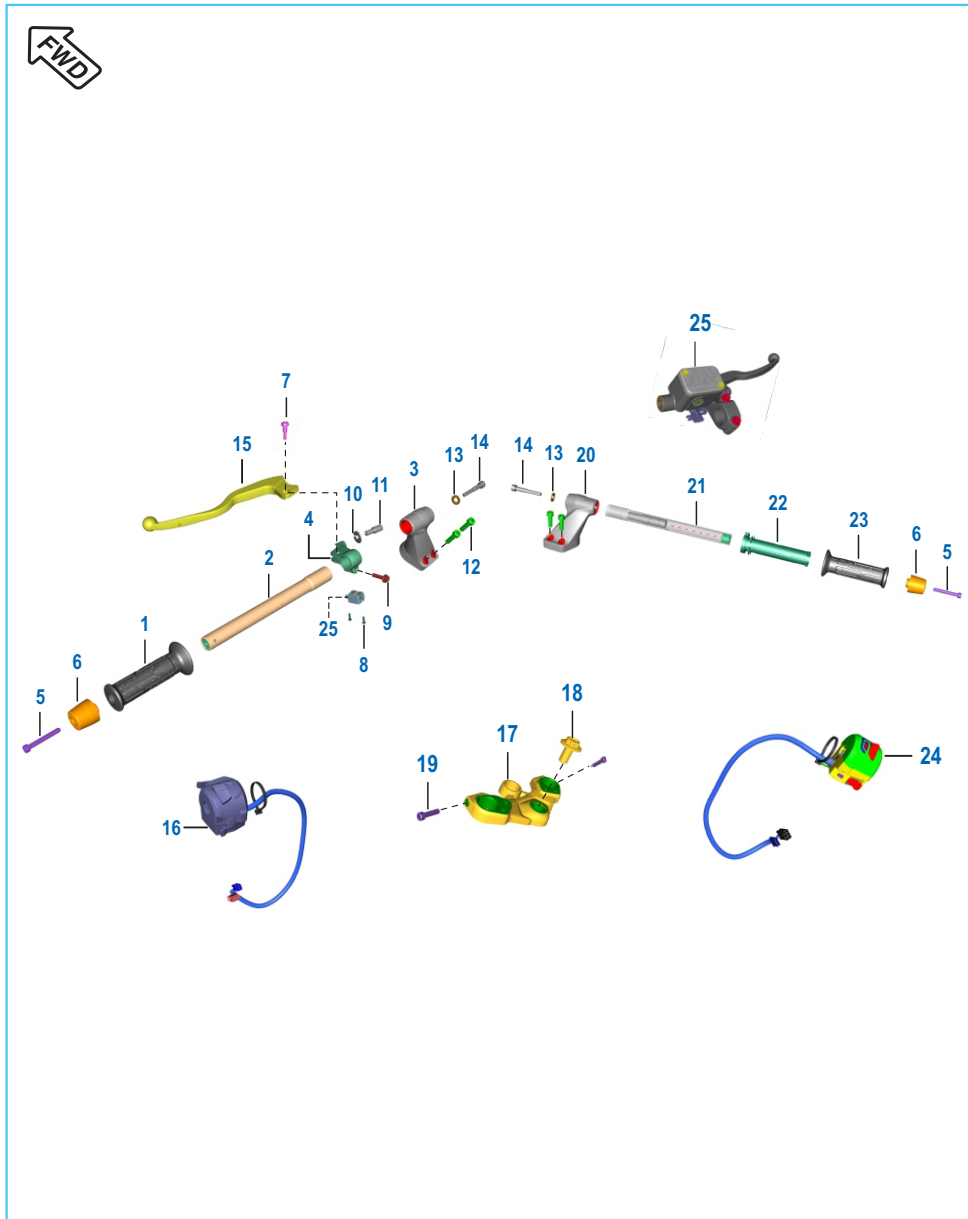
No.	Part No.	Description	Qty.	Remarks
1	56JR9J4X	Handlebar	1	
2	JG151022	Throttle Pipe	1	
3	DT161005	Handle Grip RH	1	
4	JL151035	Handlebar Weight	1	
5	KACG0645	Bolt Socket M6x1	2	
6	JL161003	Handle Grip LH	1	
7	56JRA8Y9	Bracket Upper	1	
8	56JR9UY9	Holder Handle Lower	1	
9	LAC00111	Bolt Socket M8x1.25	4	
10	56JR9TY9	Holder Handle Upper	1	
11	JG161008	Lever LH	1	
12	JR401420	Switch Control LH	1	
13	JZ161028	Lever Pivot Bolt	1	
14	30191017	Nut Round M8x1.25	1	
15	DD191147	Adjuster Screw	1	
16	JR161035	Assembly Holder Lever LH	1	For Mikuni System
	JF161008	Assembly Holder Lever LH	1	For Varroc System
17	KADF0622	Bolt-flange	1	
18	JG401426	Switch Clutch	1	For Mikuni System
	JY401404	Switch Clutch	1	For Varroc System
19	LBU00012	Screw Pan Cross	2	
20	LCH00001	Nut Nyloc-M10	2	

Handle Bar Assembly - Single Handle Bar



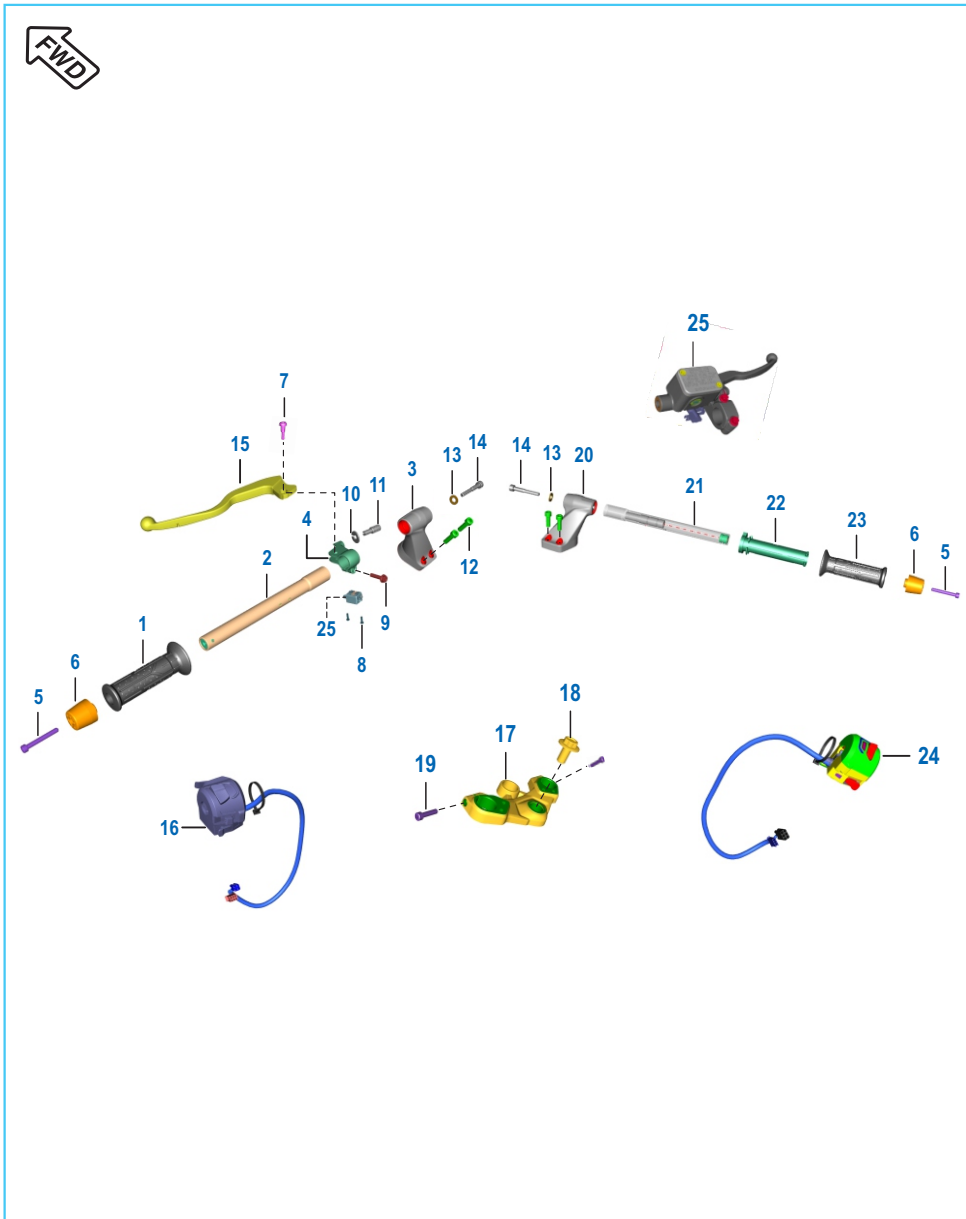
No.	Part No.	Description	Qty.	Remarks
21	JG151013	Washer Cup	4	
22	JF151054	Damper	4	
23	KACF0830	Bolt Socket M8x1.25	2	
24	LAC00092	Bolt Socket-m10	2	
25	JF151055	Spacer	2	
26	Dh181115	Bolt Flanged-m16	1	
27	JR401422	Switch Control RH	1	

Handle Bar Assembly - Split Handle Bar



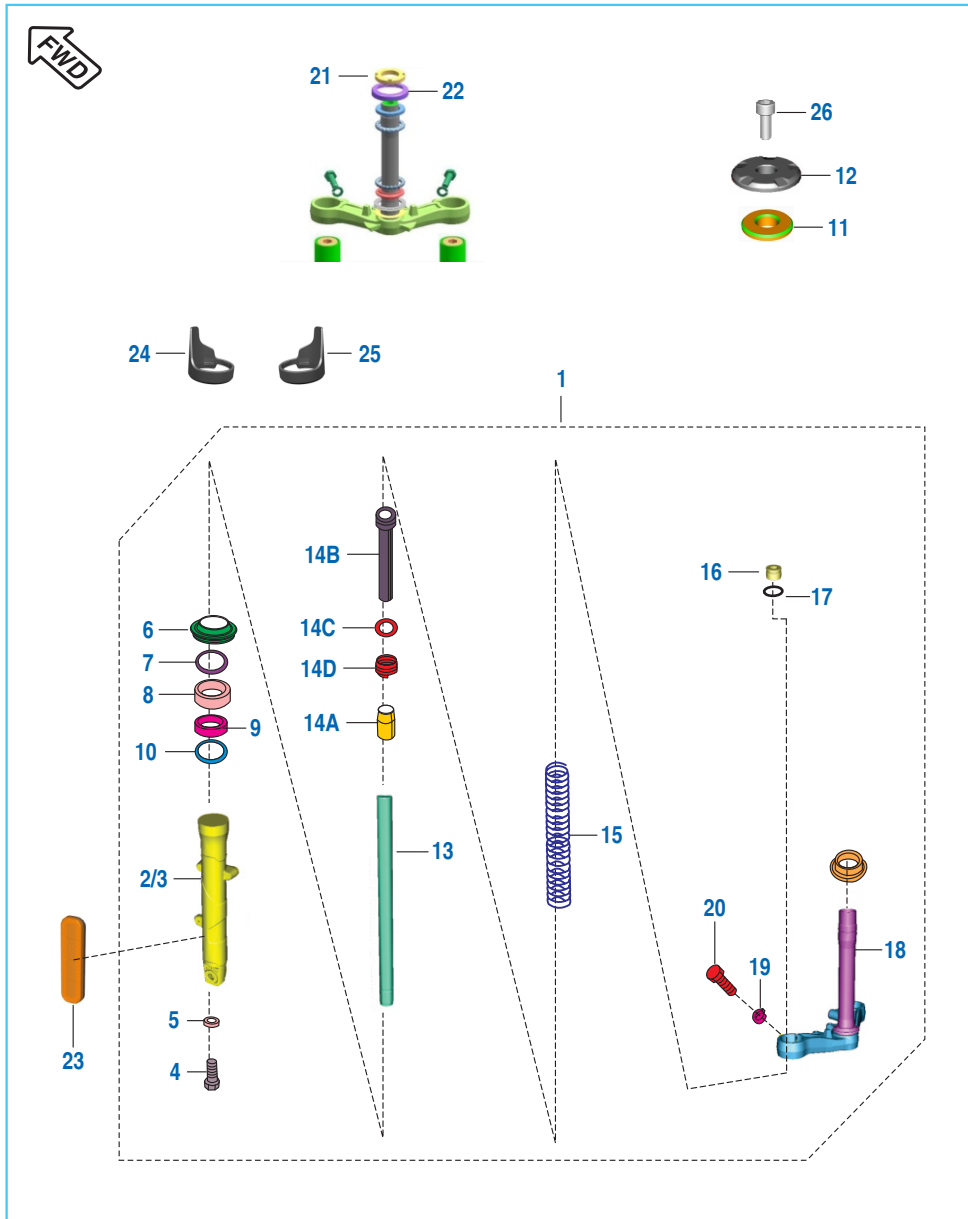
No.	Part No.	Description	Qty.	Remarks
1	JL161003	Handle Grip LH	1	
2	JR151046	Tube Assembly Handlebar LH	1	
3	56JRU2Y9	Holder Handle LH Black	1	
4	JP161009	Holder Assly LH Support Lever	1	
5	KACG0645	Bolt Socket M6x1	2	
6	JL151035	Handlebar Weight	2	
7	JZ161028	Lever Pivot Bolt	1	
8	LBU00012	Screw	2	
9	KADT0625	Bolt Flanged-M6	1	
10	30191017	Nut	1	
11	DD191147	Adjusting Screw	1	
12	LAC00059	Bolt Socket-M8	4	
13	KDBB0818	Washer Plain	2	
14	LAC00020	Bolt Socket M8	2	
15	JG161008	Lever LH	1	
16	JR401420	Switch Control LH	1	
17	56JRV5Y9	Bracket Upper	1	
18	DH181115	Bolt Flanged	1	
19	KACF0830	Bolt Scket-M8	2	
20	56JRU3Y9	Holder Handle RH	1	

Handle Bar Assembly - Split Handle Bar



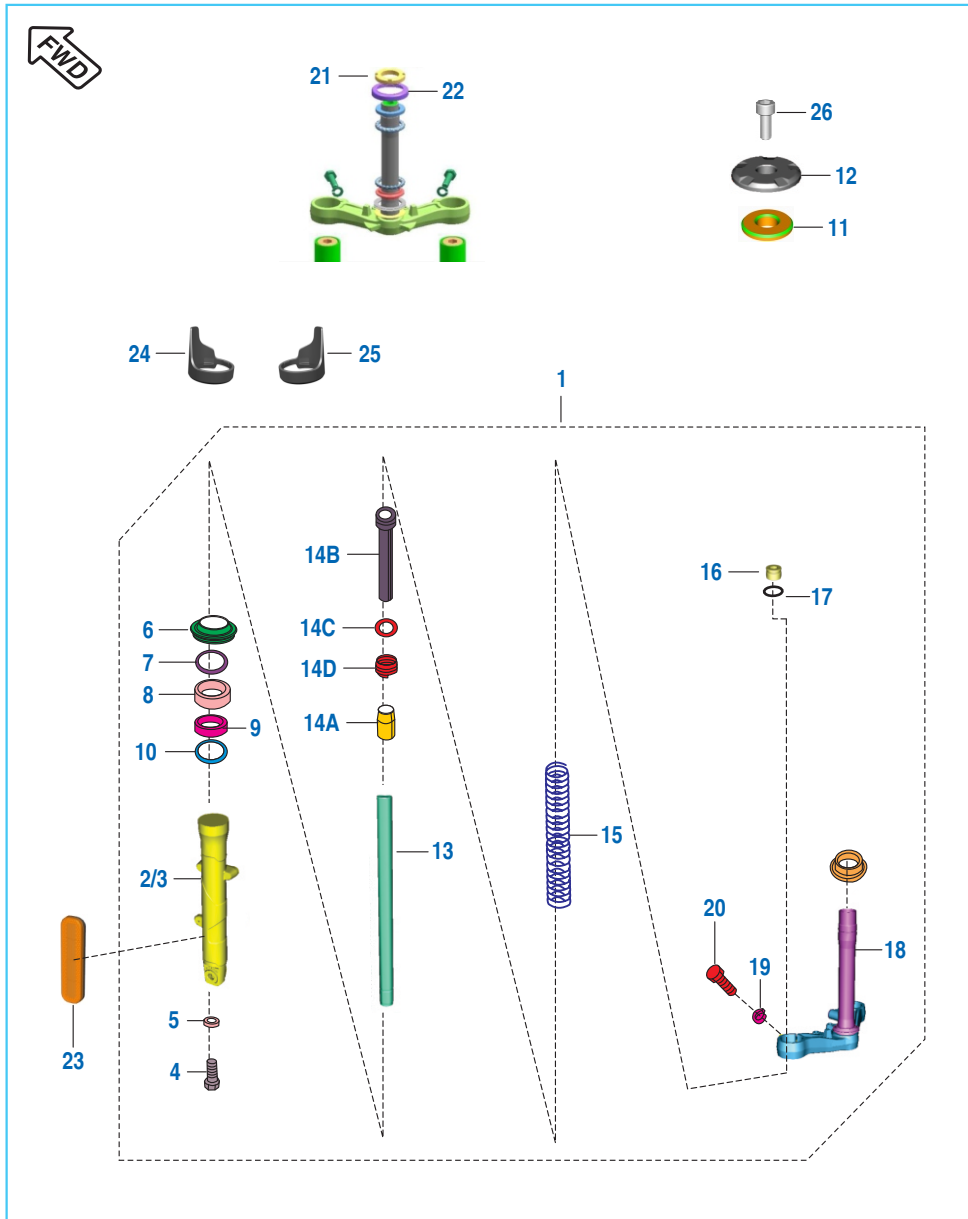
No.	Part No.	Description	Qty.	Remarks
21	JR151044	Tube Assembly Handlebar RH	1	
22	JG151022	Throttle Pipe	1	
23	DT161005	Handle Grip RH	1	
24	JR401422	Switch Control RH	1	
25	JG401426	Clutch Switch	1	For Mikuni System
	JY401404	Switch Clutch	1	For Varroc System

Front Fork



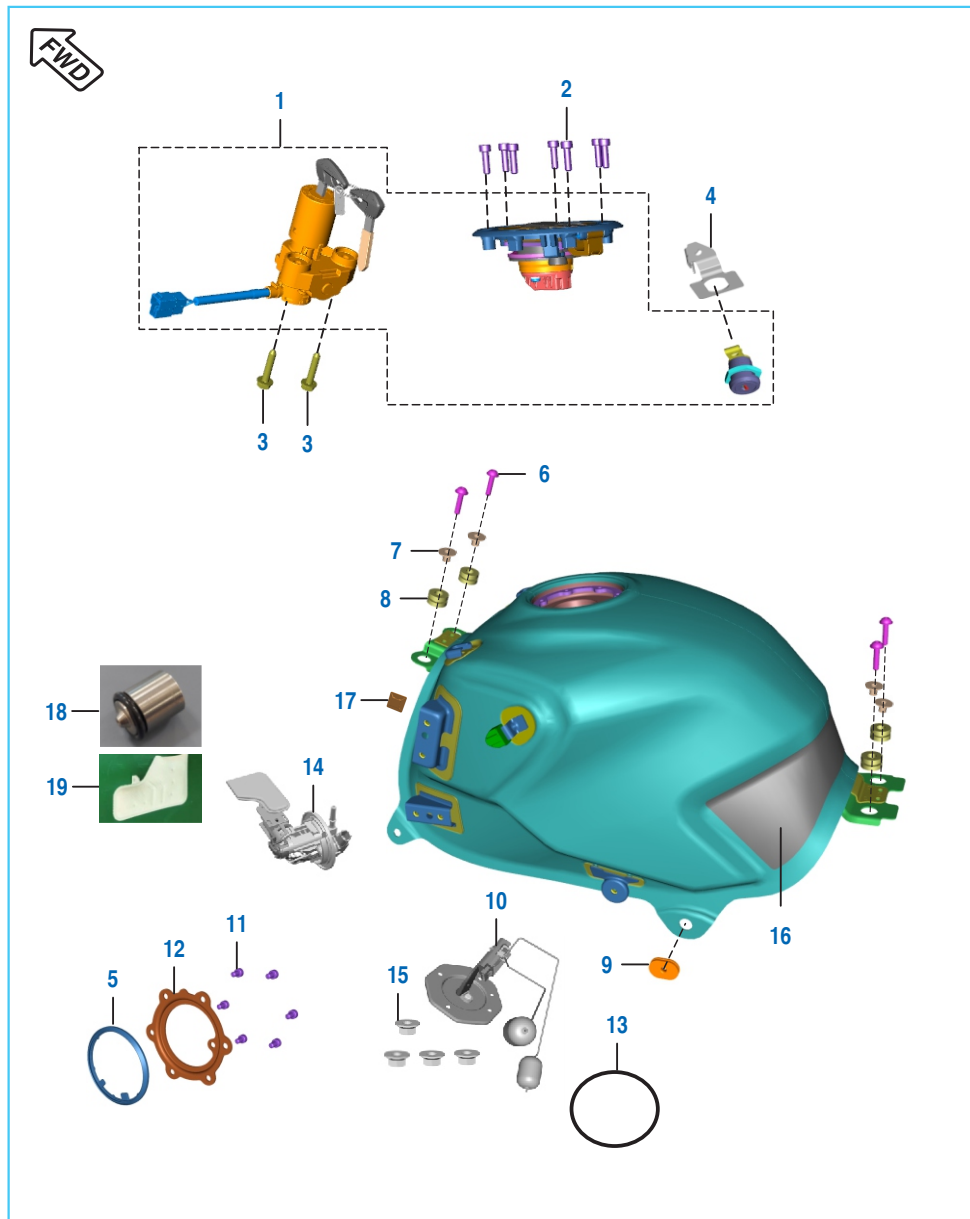
No.	Part No.	Description	Qty.	Remarks
1	JR121005	Fork Assembly- Front	1	
2	YJR02002	Tube Outer LH	1	
3	YJR02003	Tube Outer RH	1	
4	DK181006	Socket Headed Bolt -M10	2	
5	DK181007	Copper Washer	2	
6	JZ151091	Seal Dust	2	
7	DK1810 18	Washer Seal	2	
8	DJ181087	Oil Seal SFN	2	
	DH171029	Oil Seal HTA	2	
9	DS181070	Guide Bush	2	
10	DJ181088	Oil Seal Stopper	2	
11	DT121047	Rubber Damper Fork Top Cap	2	
12	JR151041	Cap Fork Top Bolt	2	
	56JRD91Y	Cap Fork Matt Slat Grey	2	
13	YJR02004	Fork Pipe Inner	2	
14A	YJR05005	Cap Oil Lock	2	
14B	YJR06003	Seat Pipe	2	
14C	30181020	Piston Ring	2	
14D	DM181008	Rebound Spring	2	
15	YJR02005	Spring Main Spring	2	
16	YJR06001	Fork Bolt	2	
17	30181029	O' Ring	2	
18	JR121008	Under Bkt Assy Complete	1	
19	JC181020	Spring Washer	2	
20	DK181028	Bolt	2	

Front Fork



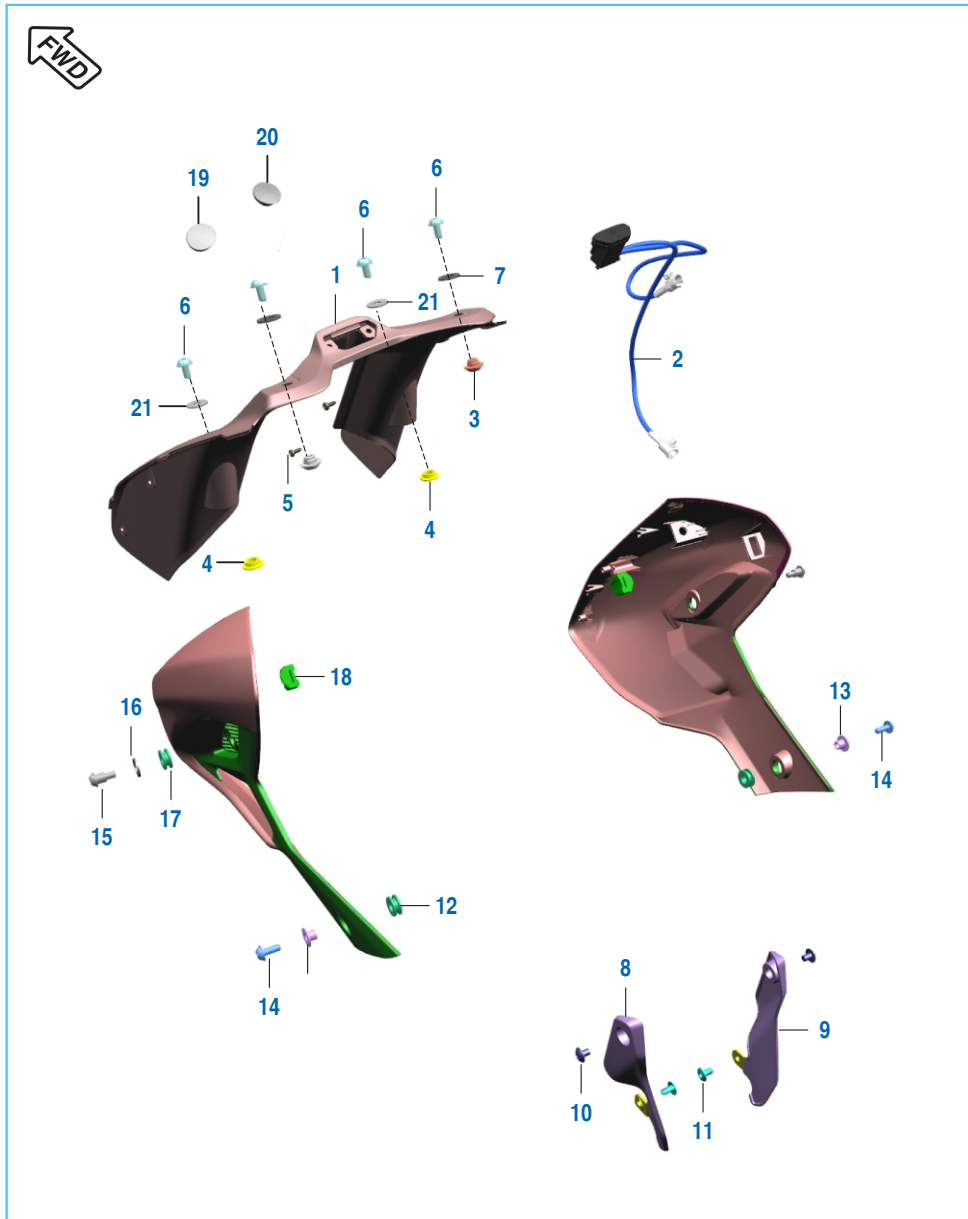
No.	Part No.	Description	Qty.	Remarks
21	DH181122	Nut Steering	1	
22	JR151070	CaP Steering	1	
23	JZ401077	Reflector Reflex Side	2	
24	JR121105	Protector Fork LH	1	
25	JR121106	Protector Fork RH	1	
26	LAC00071	Bolt Socket M6x1	1	

Petrol Tank and Lock Set



No.	Part No.	Description	Qty.	Remarks
1	36JR0149	Set Lock+P T Cap Slate Gray	1	
2	KACF0516	Bolt Master Kac	7	
3	LAD00244	Bolt Flanged M6x1	2	
4	JR232611	Bracket Lock Seat	1	
5	JH171803	Gasket Fuel Pump Mtg	1	
6	LAE00082	Bolt	4	
7	PD171003	Collar	4	
8	DG141019	Damper	4	
9	DS141012	Grommet	2	
10	JR402600	Gauge Fuel Level	1	
11	KACG0610	Bolt Socket M6x1	6	
12	JR171820	Plate Pressure	1	
13	JH171017	O Ring Fuel Gauge	1	
14	AA201375	Pump Fuel	1	
15	KCGA0505	Nut	4	
16	JR171109	Tape Seat	1	
17	DG141043	Clamp	1	
18	YJR02006	Pressure regulator with 'O' ring	1	
19	YAU02001	Strainer Fuel Pump	1	

Tank Flaps LH



No.	Part No.	Description	Qty.	Remarks
1	JR181738	Flap Tank Middle	1	
2	JR403401	Socket Charger	1	
3	JR171105	Collar	2	
4	JR181399	Grommet	4	
5	KBRA4213	Screw Tapping Pan Cross Dia 4.2	4	
6	LBU00131	Screw Button Head M6X1	4	
7	LDA00031	Washer Plain	2	
8	JR171025	Shroud Tank LH	1	
9	JR171026	Shroud Tank RH	1	
10	KBUA0608	Screw Truss M6x1	2	
11	JR183585	Rivet Snap	2	
12	JP181227	Grommet Spoiler Mtg	4	
13	JL113812	Collar	2	
14	LBU00132	Screw Button Head M6X1	2	
15	LBU00144	Screw Button Head Step M6X1	2	
16	KDAB1018	Washer Plain Small	2	
17	JP181227	Grommet Spoiler Mtg	2	
18	JR181768	Cap	2	
19	JR181037	Plug Cover Tank RH	1	
20	JR181036	Plug Cover Tank LH	1	
21	LDA00018	WASHER 6.2X20X1.5	2	

Head Lamp & Front Fairing



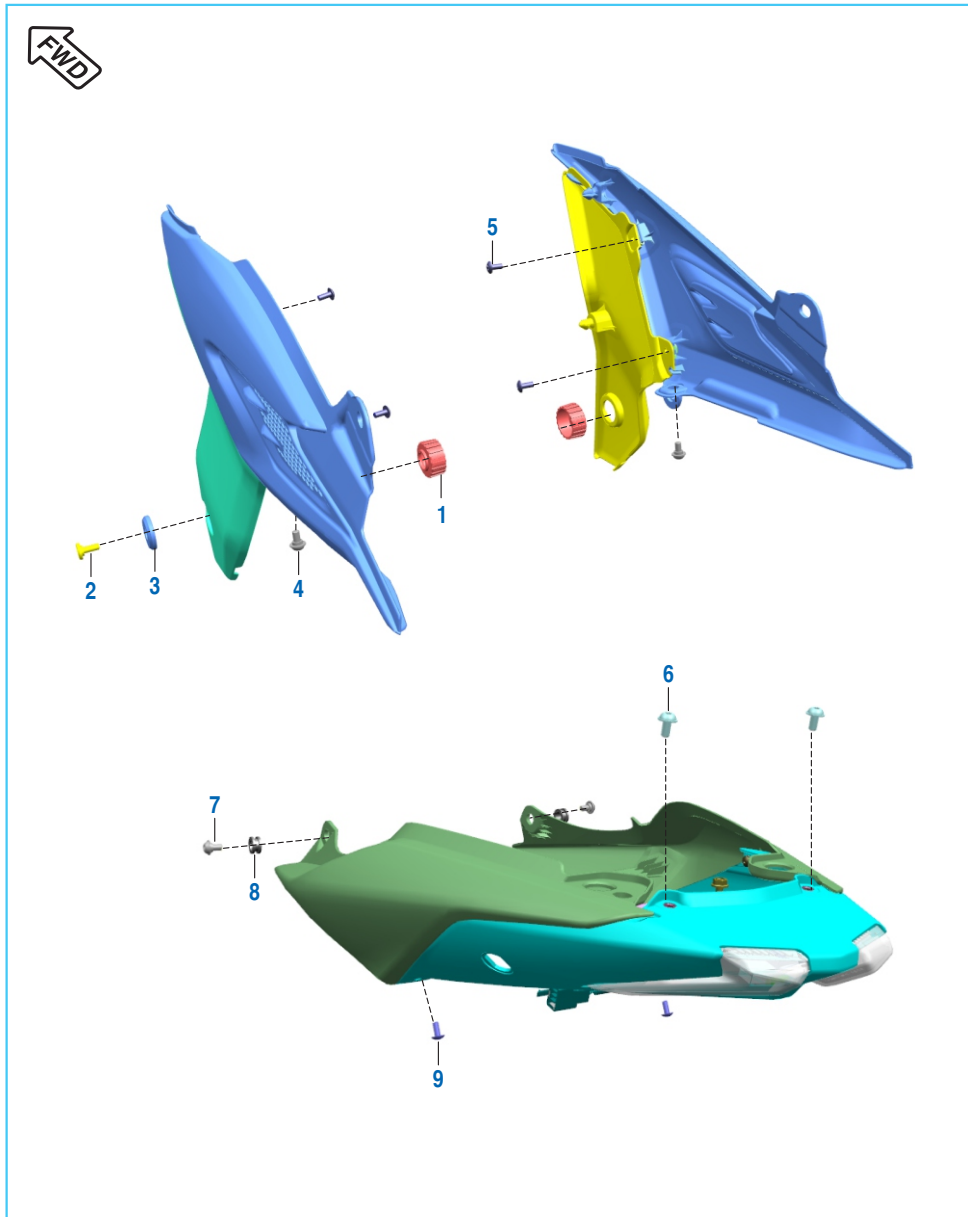
No.	Part No.	Description	Qty.	Remarks
1	JR401035	Lamp Head	1	
2	JR181905	Structure Fairing	1	
3	JR181904	Fairing Rear Lh	1	
4	JR181907	Fairing Rear Rh	1	
5	JR181240	Flap Speedometer	1	
6	JR181928	Bracket Flap Speedometer	1	
7	JR181234	Bracket Top	1	
8	JR232817	Bracket Plate Number Front	1	
9	KDBA0512	Washer_plain	6	
10	KBRA4213	Screw Tapping Pan Cross	6	
11	JC141016	Collar Tank Cover	2	
12	JF181277	Well-nut For Mask	4	
13	LBU00099	Screw Button Head-m6x1xl	2	
14	JH181426	Grommet Under Tray	1	
15	KADF0525	Bolt Flanged M5x0.8	2	
16	LBU00172	Screw Button Head M5x0.8	2	
17	KDBB0512	Washer Plain	2	
18	KCBA1006	Nut Hex M10x1.25	2	
19	KDFB1018	Washer Toothed Internal	2	
20	KDAA1018	Washer Plain	2	

Head Lamp & Front Fairing



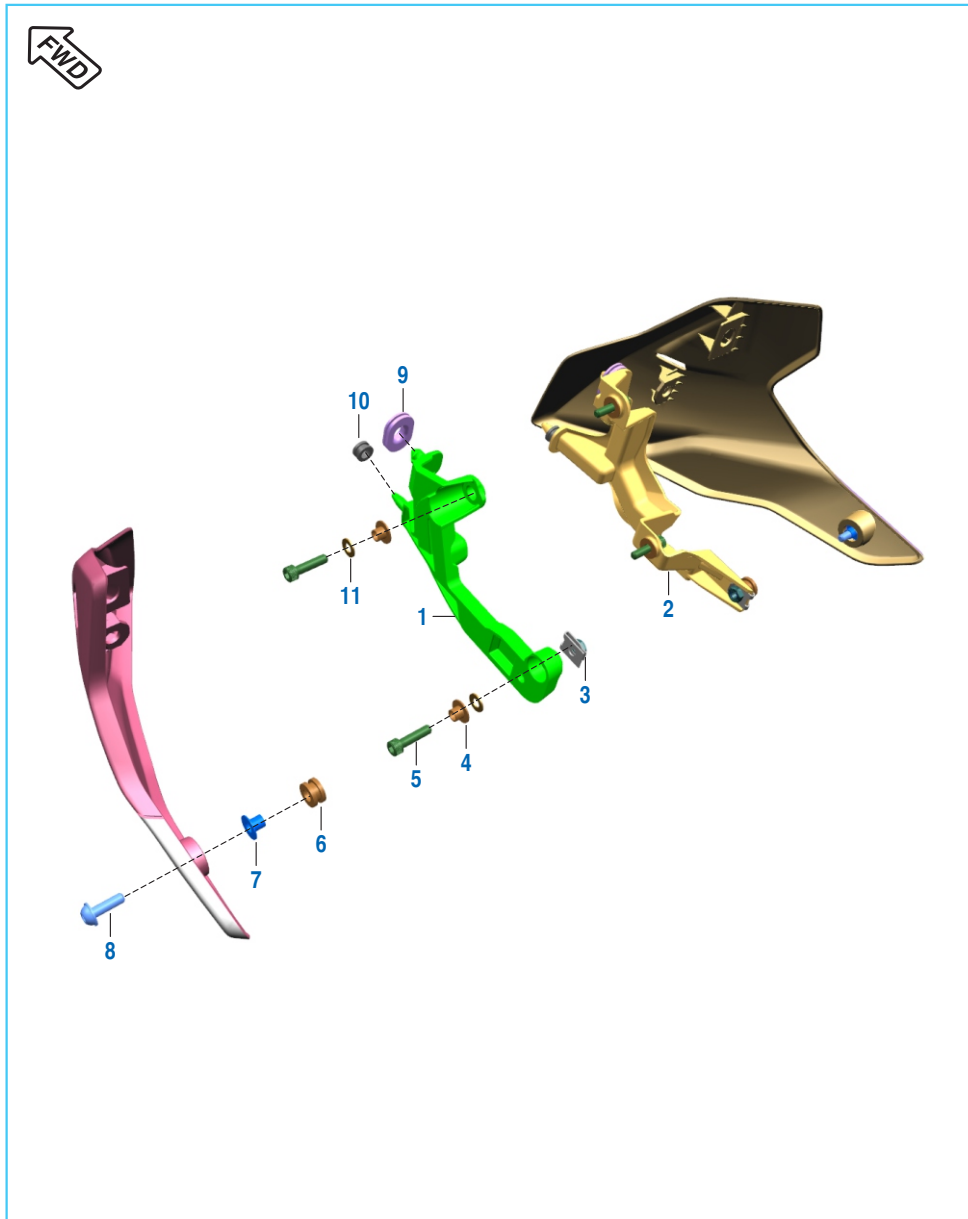
No.	Part No.	Description	Qty.	Remarks
21	BF182011	Metallic Tower Clip Fascia	2	
22	JP181279	Grommet	2	
23	JP181280	Collar	2	
24	LAE00040	Bolt Flanged M6x1	2	
25	JP181261	Grommet HI Cover Top	2	
26	LBU00132	Screw Button Head M6x1	2	
27	DJ181065	Clip Nut M6	2	
28	LAC00054	Bolt Socket	2	
29	JP181232	Sleeve Radiator	2	
30	JR181781	Grommet	2	
31	LAD00311	Bolt Flanged Step M6x1	1	
32	JH181426	Grommet Under Tray	1	
33	GL181817	Tape Dual Lock 10x10	2	
34	KBUC0510	Screw Truss M5x0.8	2	
35	LDB00074	Washer Plain	2	
36	39081411	Washer Plain	1	
37	KCGC0606	Nut Hex Flanged	1	
38	JR181249	Windshield	1	
39	39214124	Washer	2	
40	JZ181290	Screw	2	
41	JR181908	Carrier Mask	1	

Fittings - Side Covers & Cover Seat



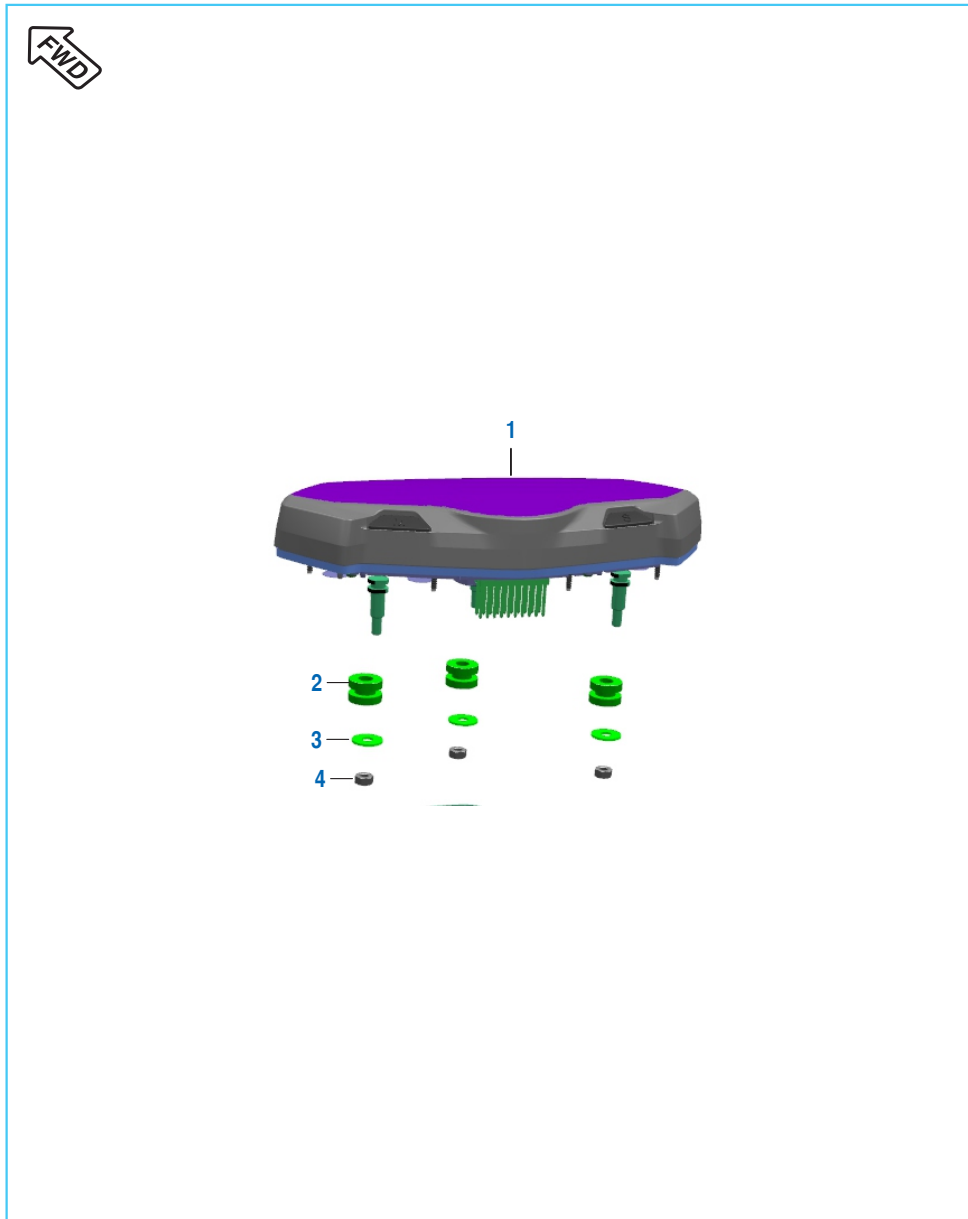
No.	Part No.	Description	Qty.	Remarks
1	JR122042	Spacer	2	
2	LAC00191	Bolt Socket Step M6x1	2	
3	JR122041	Spacer	2	
4	LBU00210	Screw Button Head M6	2	
5	KBUA0512	Screw Truss M5x0.8	4	
6	LBU00131	Screw Button Head M6x1	2	
7	LBU00155	Screw Button Head Step M6x1	2	
8	DT171073	Grommet Tank Cover Assly	2	
9	KBUF0512	Screw Truss M5x0.8	2	

Belly Pan



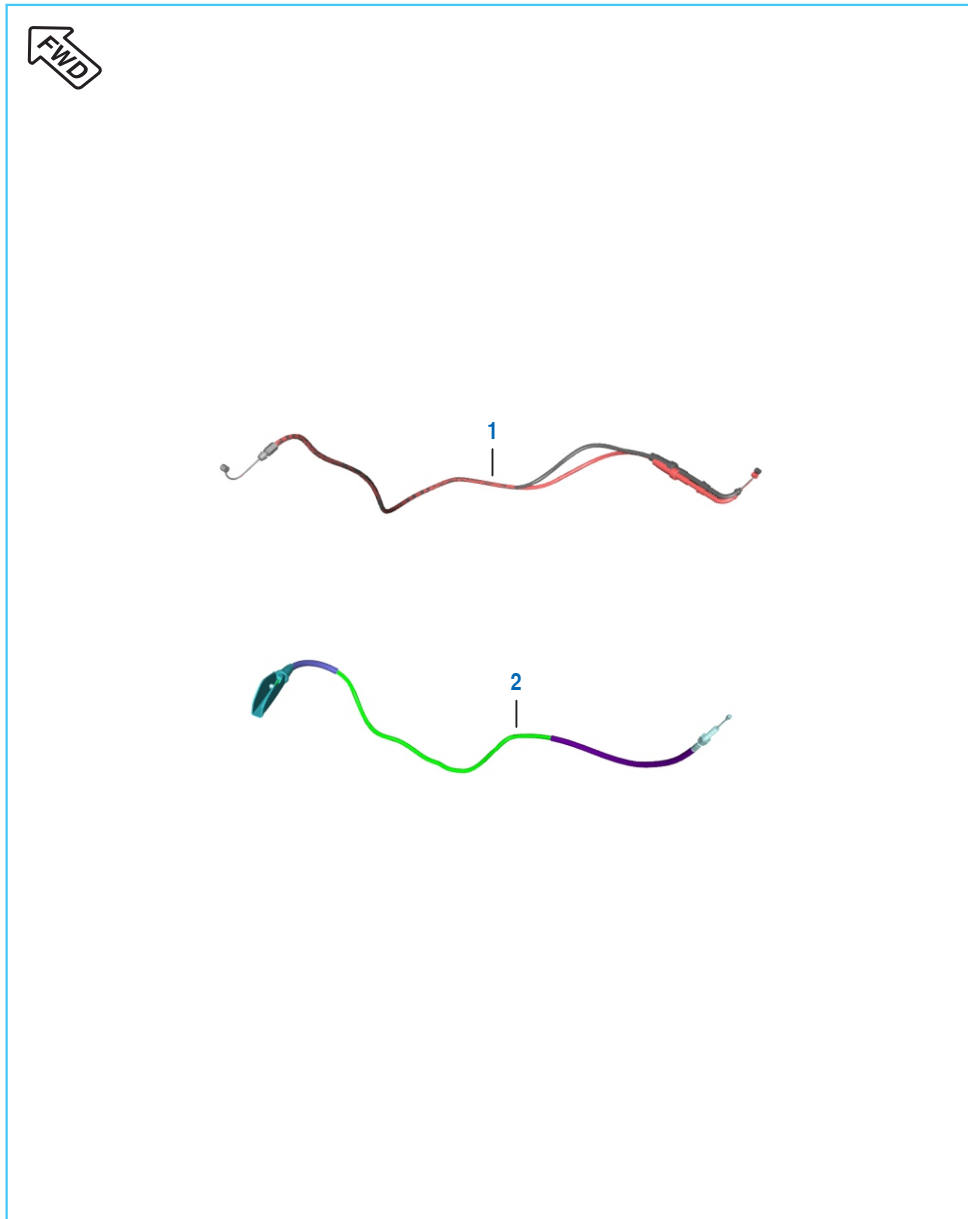
No.	Part No.	Description	Qty.	Remarks
1	JR181758	Bracket Belly Pan Lh	1	
2	JR181759	Bracket Belly Pan Rh	1	
3	DJ181065	Clip Nut M6	2	
4	JF181278	Collar	2	
5	LAC00122	Bolt Socket-m6	4	
6	DP181041	Damper For Mounting Cowling	2	
7	DP181040	Collar	2	
8	LBU00134	Screw Button Head M6x1	2	
9	JZ171124	Grommet	2	
10	JY113930	Grommet	2	
11	KDBB0613	Washer Plain	4	

Speedometer Assembly



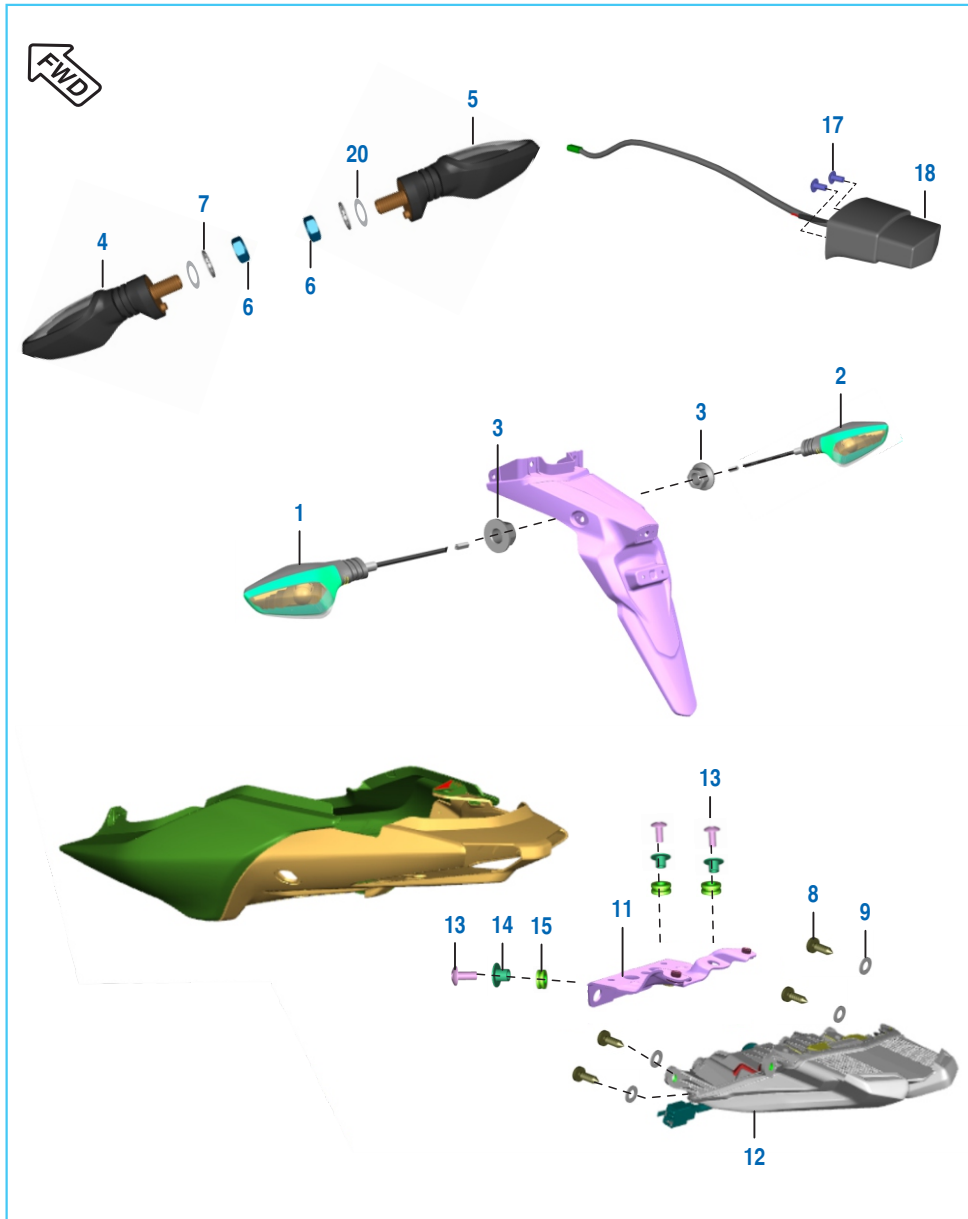
No.	Part No.	Description	Qty.	Remarks
1	JR402432	Instrument Cluster	1	
2	JG181238	Grommet Dashboard	3	
3	LDB00007	Washer Plain	3	
4	KCAC0504	Nut Hex M5x0.8	3	

Control Cables



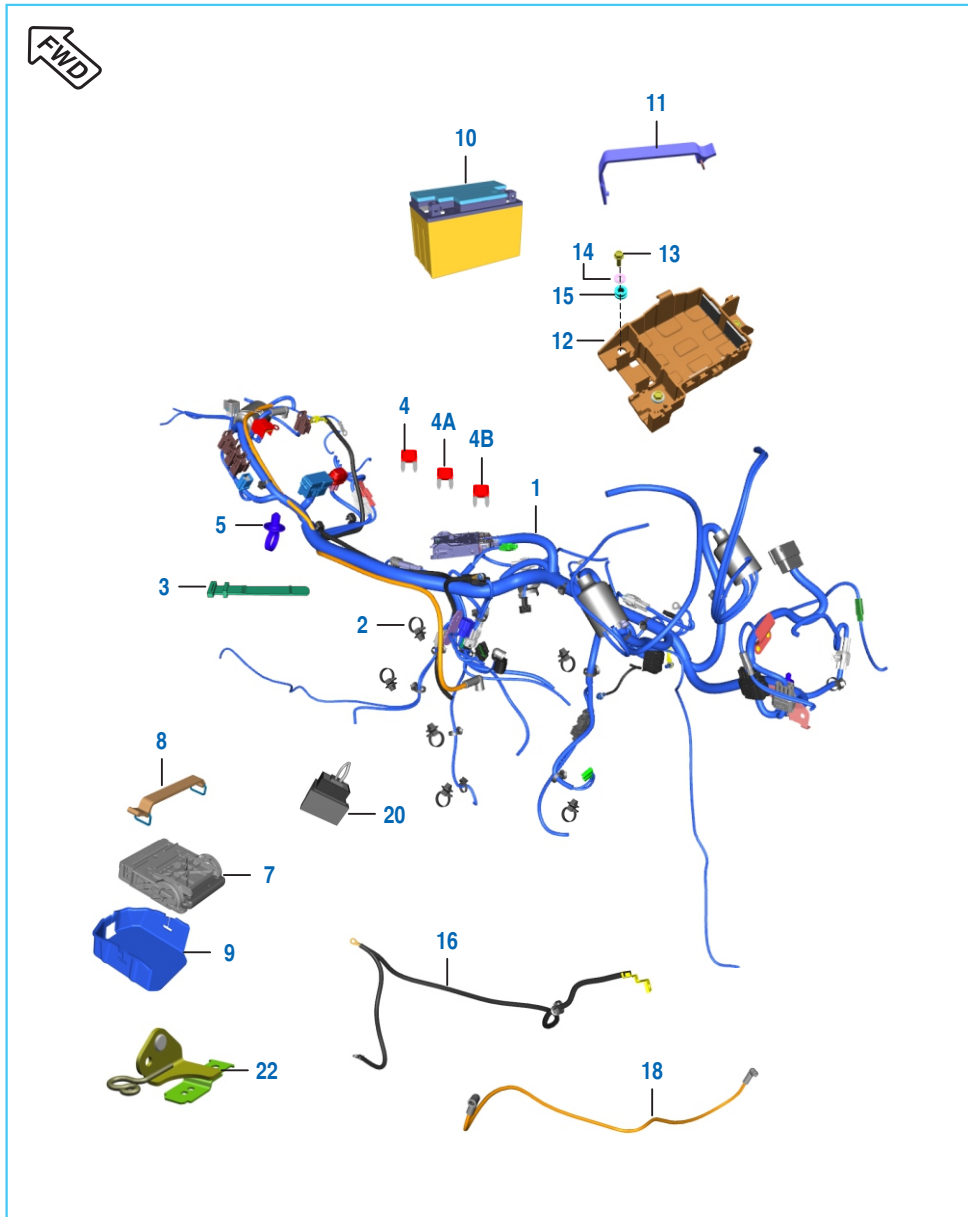
No.	Part No.	Description	Qty.	Remarks
1	JR161210	Cable Throttle	1	For Varroc System
	JR161228	Cable Throttle	1	For Mikuni System
2	JR161227	Cable Clutch	1	For Single Disc
	JR161204	Cable Clutch	1	For Twin Disc

Indicator Lights & Tail Lamp



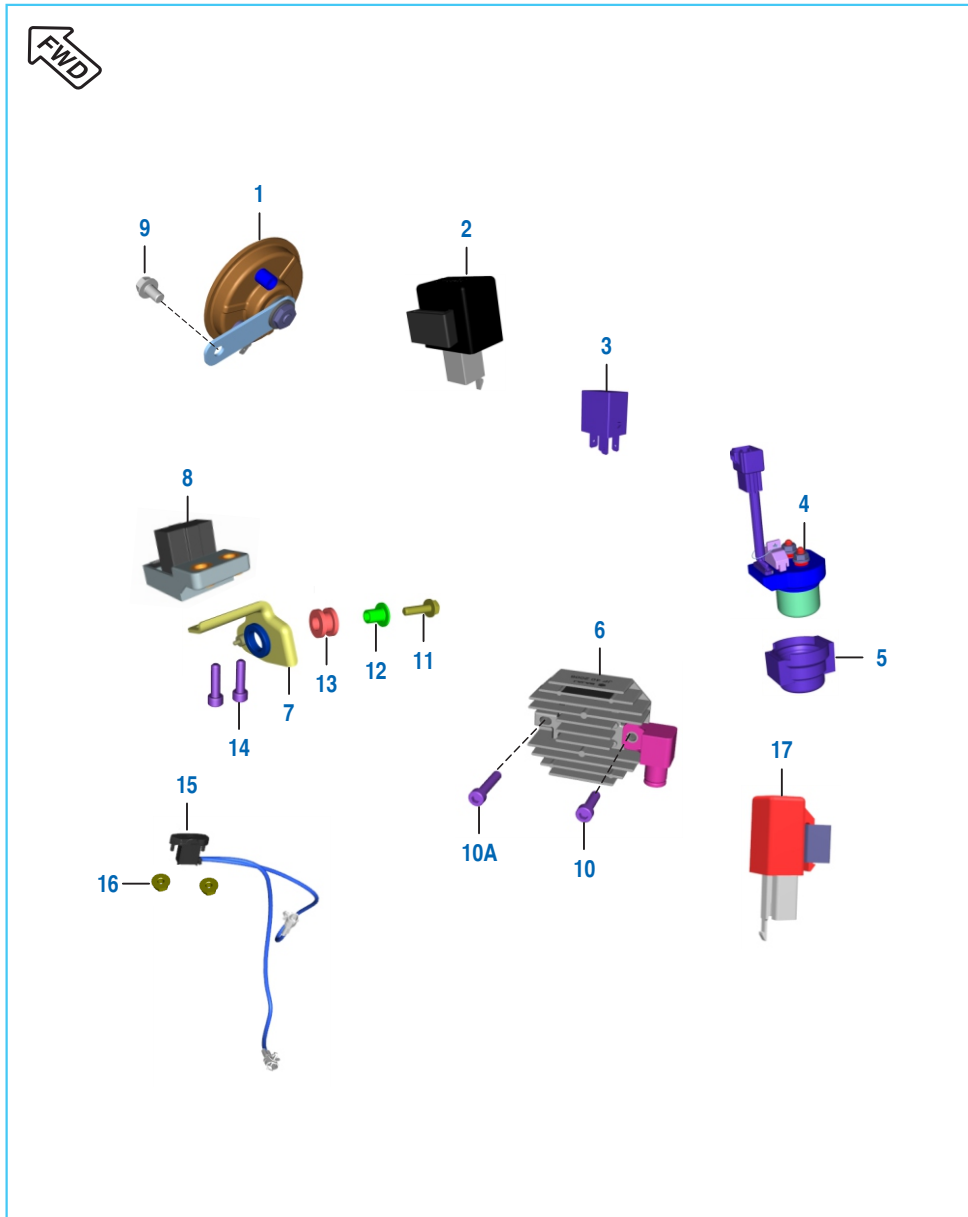
No.	Part No.	Description	Qty.	Remarks
1	JR401026	Indicator Rear LH	1	
2	JR401027	Indicator Rear RH	1	
3	LCL00001	Nut Hex Flange-m10x1.25	2	
4	JR401011	Indicator Front LH	1	
5	JR401010	Indicator Front RH	1	
6	KCBA1006	Nut Hex Thin-m10x1.25xht	2	
7	KDFB1018	Washer Toothed Internal	2	
8	KBRA4816	Screw	4	
9	KDAE0510	Washer	4	
10	DJ181065	Clip Nut M6	2	
11	JR113872	Bracket Seat Cowl Middle	1	
12	JR401008	Lamp Tail	1	
13	PA581053	Screw Truss Cross M6x1	4	
14	JP181280	Collar Head Lamp Holder	4	
15	JD113814	Grommet Sai Unit	4	
16	GH201012	Lamp 12V-10W	4	
17	KBUC0510	Screw Truss-m5	2	
18	JR401019	Lamp Plate Number	1	
19	JD401032	Bulb-Number Plate Lamp	1	
20	KDAA1018	Washer Plain	2	

Wiring Harness / ECU / Battery



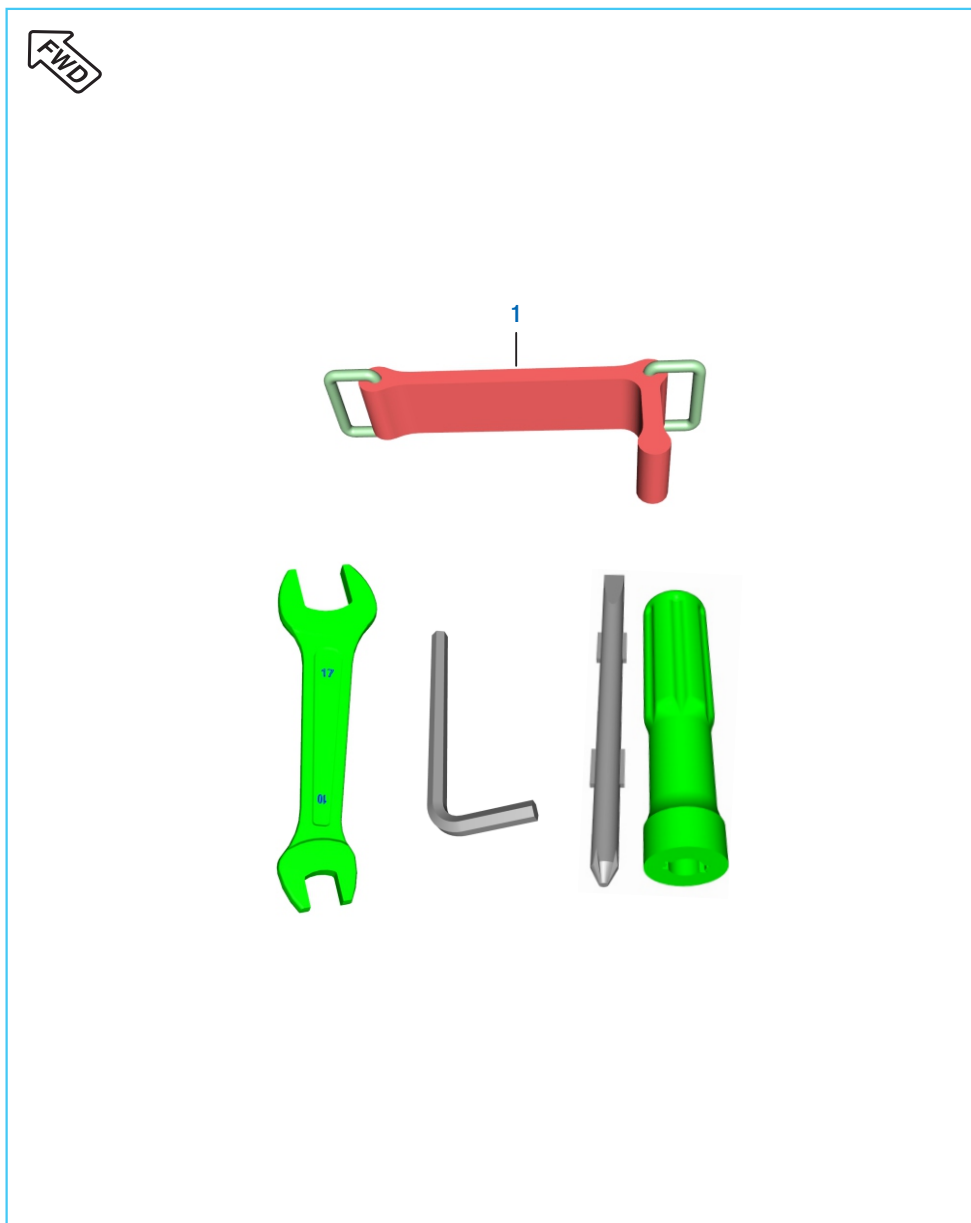
No.	Part No.	Description	Qty.	Remarks
1	JR402270	Wiring Harness	1	For Verroc System
	JR402267	Wiring Harness	1	For Mikuni System
2	60111420	Cable Tie Lock	6	
3	JD402212	Band (Length 200mm)	2	
4	DT402227	Fuse 5A Mini	5	
4A	JG402228	Fuse Mini 10A (Blade Type)	4	
4B	JG402229	Fuse 15A	4	
5	AA201387	Clamp Cable	1	
6	JG402230	Fuse 30A	1	
7	JR351433	ECU	1	For Mikuni System
	PD351425	ECU	1	For Verroc System
8	JR181024	Strap	1	
9	JR113907	Holder ECU	1	For Verroc System
	JR113900	Holder ECU	1	For Mikuni System
10	JF401803	12V 4Ah VRLA Battery	1	
11	JR113826	Strap Battery	1	
12	52JR0199	Case Battery	1	
13	KADF0618	Bolt-flange	3	
14	LDB00023	Washer Plain	2	
15	JU232817	Grommet	3	
16	JR402220	Cable Earth	1	
17	JP402221	Cable Earth ABS	1	
18	JR402219	Cable Starter Relay Motor	1	
20	DK201188	Unit Transil	1	
21	DT402226	Fuse 7.5A Mini	3	For Verroc system
22	JR113939	Bracket Assembly ECU	1	For Mikuni System

Other Electric Equipment



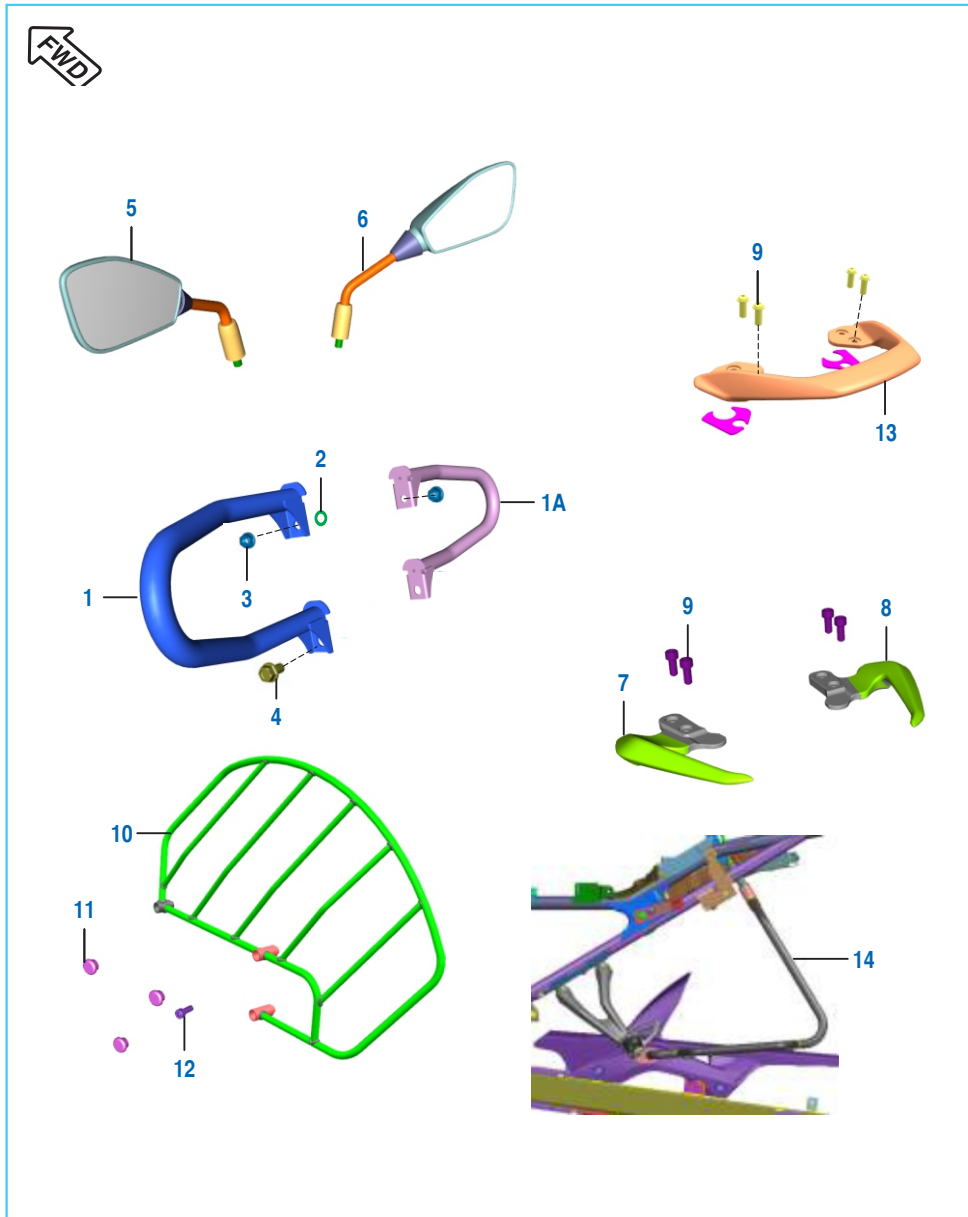
No.	Part No.	Description	Qty.	Remarks
1	JR401605	Horn	1	
2	JL403201	Unit Termination	1	
3	JF403000	Relay Interlock	3	
4	JN351604	Relay Starter	1	For Mikuni System
	DH201124	Relay Starter	1	For Varroc System
5	JP403002	Damper Relay Starter	1	For Varroc System
6	JF402006	Unit Regulator	1	
7	JR113858	Bracket Sensor Roll Over	1	
8	JY403604	Sensor Roll Over	1	
9	KADF0814	Bolt Flange	1	
10	KACA0630	Bolt Socket	1	
10A	KACA0622	Bolt Socket	1	
11	KADD0622	Bolt Flanged	1	
12	GL113811	Collar	1	
13	GL113812	Grommet	1	
14	KACA0622	Bolt Socket	2	
15	JR403401	Socket Charger	1	
16	KCGD0505	Nut Hex	2	
17	DS201025	DC Flasher	1	

Tool Kit



No.	Part No.	Description	Qty.	Remarks
1	JR181024	Strap	1	

Accessories / Grab Handle



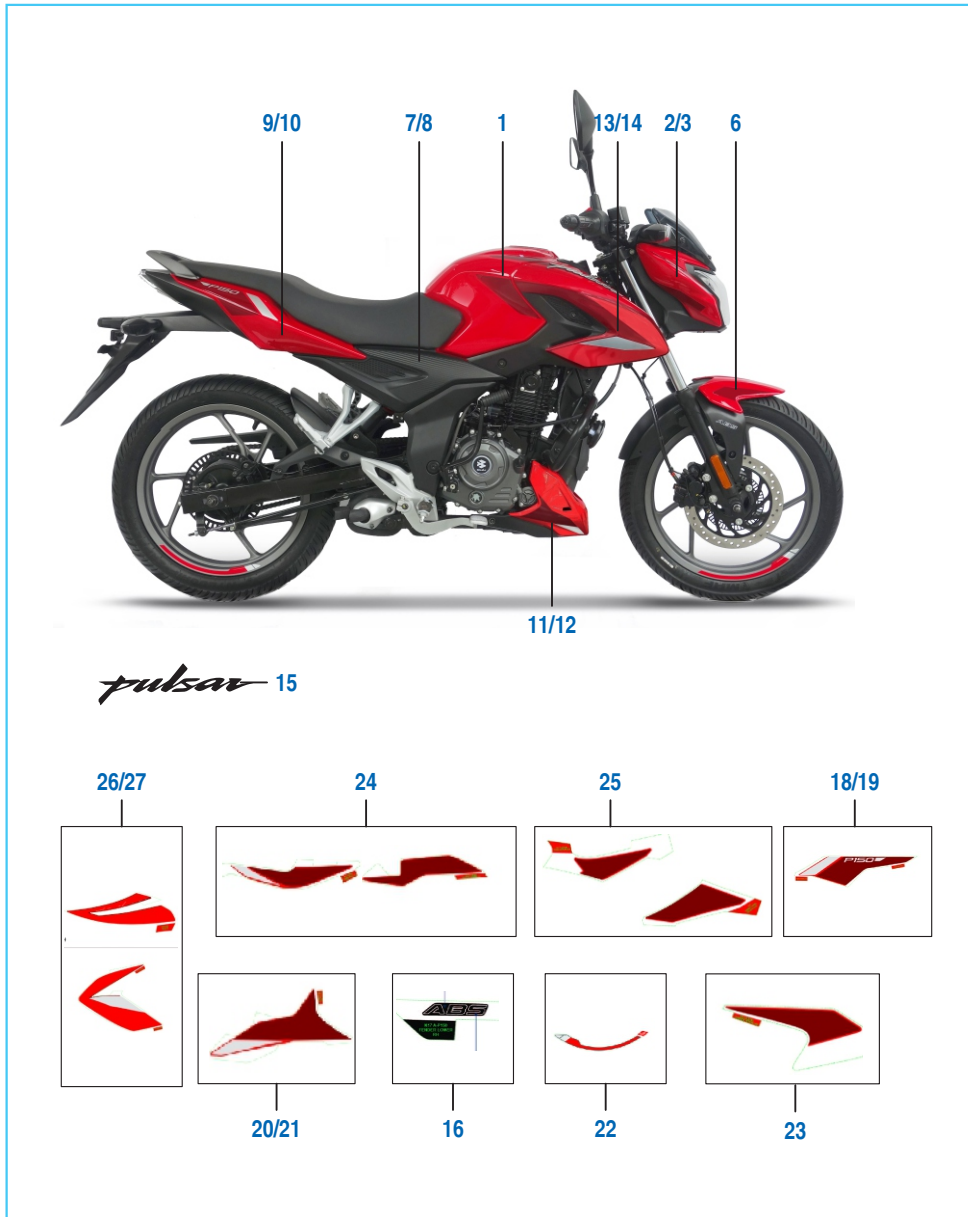
No.	Part No.	Description	Qty.	Remarks
1	JR231202	Guard Leg LH	1	
1A	JR231203	Guard Leg RH	1	
2	LDA00028	Washer	2	
3	LCL00007	Nut U Flanged	2	
4	KADJ10D5	Bolt Flanged	2	
5	JR231602	Mirror LH	1	
6	JR231603	Mirror RH	1	
7	56JR5U1Y	Grab Handle LH Slate Gray	1	For Twin Disc
8	56JR5V1Y	Grab Handle RH Slate Gry	1	For Twin Disc
9	LAC00045	Screw	4	
10	JR231216	Guard Saree	1	
11	JL231209	Plug Saree Gaurd	3	
12	DP101340	Bolt Socket M8x1.25	1	
13	56JR1B1Y	Grab Handle	1	For Single Disc
14	JR113109	Side Foot Rest	1	For Single Disc

Painted Parts and Decals



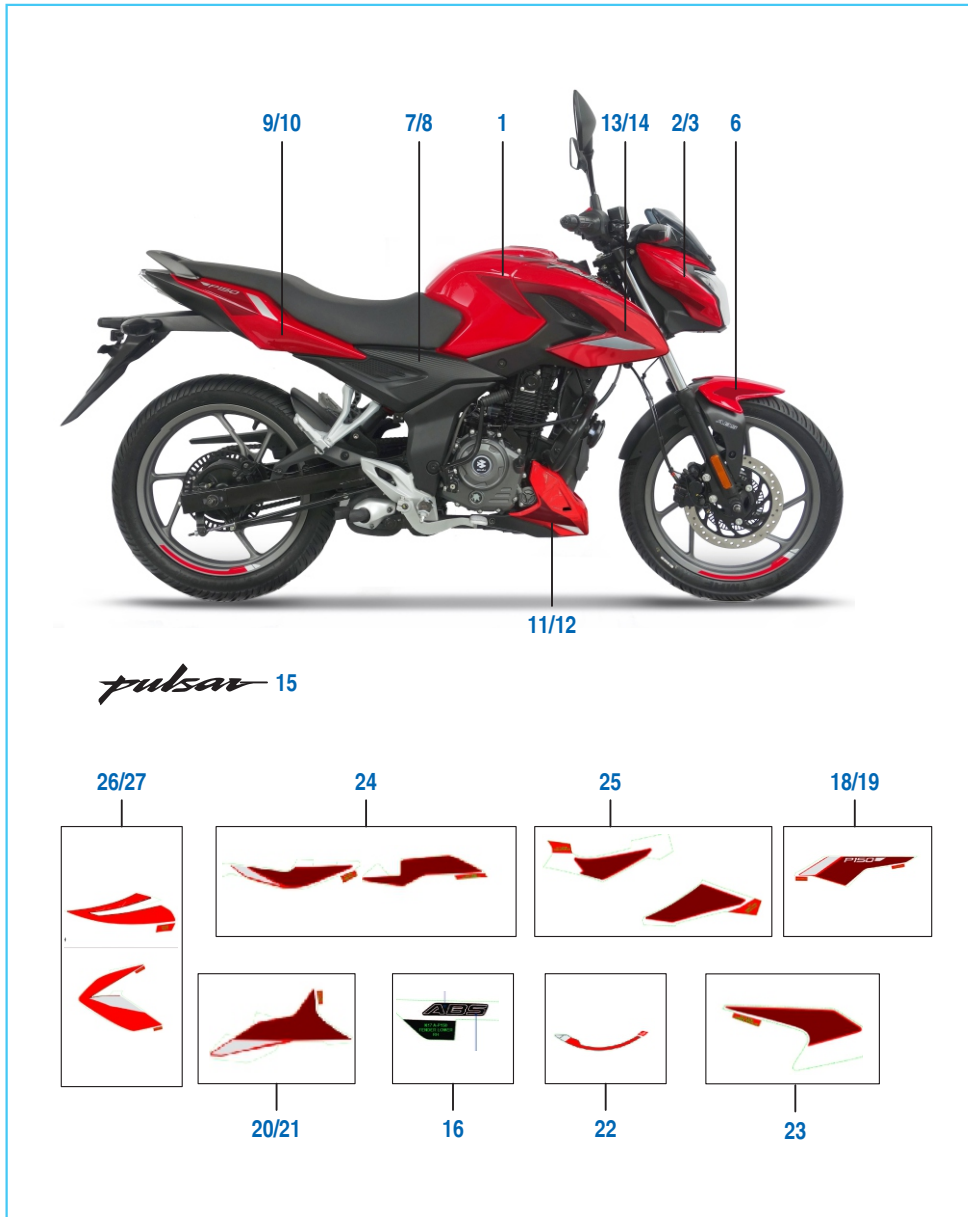
No.	Part No.	Description	Qty.	Remarks
1	52JR0702	P150 Tank Assembly Racing Red + Decal	1	Common
	52JR0703	P150 Tank Assembly Caribbean Blue + Decal	1	
	52JR0704	P150 Tank Assembly Ebon Black + Decal	1	
2	52JR0666	P150 Fairing Lh Racing Red + Decal	1	
	52JR0671	P150 Fairing LH Caribbean Blue+Decal	1	
	52JR0676	P150 Fairing LH Eb Black+Decal	1	
	52JR0747	Fairing Lh Eb Black +Whit Decal	1	
	52JR0750	Fairing Lh Eb Black +Blue Decal	1	
3	52JR0668	P150 Fairing RH Racing Red+Decal	1	
	52JR0673	P150 Fairing RH Caribbean Blue+Decal	1	
	52JR0678	P150 Fairing RH Eb Black+Decal	1	
	52JR0748	Fairing Rh Eb Black +Whit Decal	1	
	52JR0751	Fairing Rh Eb Black +Blue Decal	1	
4	52JR0667	P150 Fairing Rear LH Racing Red+Decal	1	Common
	52JR0672	P150 Fairing Rear LH Caribbean Blue+Decal	1	
	52JR0677	P150 Fairing Rear LH Eb Black+Decal	1	
5	52JR0669	P150 Fairing Rear RH Racing Red+Decal	1	Common
	52JR0674	P150 Fairing Rear RH Caribbean Blue+Decal	1	
	52JR0679	P150 Fairing Rear RH Eb Black+Decal	1	
6	52JR0643	P150 Abs Frnt Fender Asly Racing Red	1	Common
	52JR0645	P150 Abs Frnt Fender Assly Caribbean Blu	1	
	52JR0647	P150 Abs Frnt Fender Assly Ebony Black	1	
7	52JR0208	Side Cover LH Sub Assly		
	52JR0241	Side Cover LH Sub Assly		
8	52JR0242	Side Cover RH Sub Assly		
	52JR0209	P150 Side Cover RH Sub Assly		
9	52JR0635	P150 Seat Cowl LH Racing Red+Decal	1	
	52JR0638	P150 Seat Cowl LH Caribbean Blue+Decal	1	
	52JR0641	P150 Seat Cowl LH Ebony Black+Decal	1	
	52JR0741	Seat Cowl Lh Ebony Black+Whit Decal	1	
	52JR0744	Seat Cowl Lh Ebony Black+M.Blue Decal	1	
10	52JR0636	P150 Seat Cowl RH Racing Red+Decal	1	
	52JR0639	P150 Seat Cowl RH Caribbean Blue+Decal	1	
	52JR0642	P150 Seat Cowl RH Ebony Black+Decal	1	
	52JR0742	Seat Cowl Rh Ebony Black+Whit Decal	1	
	52JR0745	Seat Cowl Rh Ebony Black+M.Blue Decal	1	

Painted Parts and Decals



No.	Part No.	Description	Qty.	Remarks
11	52JR0654	P150 Belly Pan LH Recing Red+Decal	1	
	52JR0658	P150 Belly Pan LH Caribbean Blu+Decal	1	
	52JR0662	P150 Belly Pan LH Ebony Black+Decal	1	
	52JR0725	Belly Pan Lh Eb Black+White Decal	1	
	52JR0729	Belly Pan Lh Eb Black+Mtr Blue Decal	1	
12	52JR0656	P150 Belly Pan RH Recing Red+Decal	1	
	52JR0660	P150 Belly Pan RH Caribbean Blu+Decal	1	
	52JR0664	P150 Belly Pan RH Ebony Black+Decal	1	
	52JR0727	Belly Pan Rh Eb Black+White Decal	1	
	52JR0731	Belly Pan Rh Eb Black+Mtr Blue Decal	1	
13	52JR0681	P150 Tank Spoiler LH Rush Red+Decal	1	
	52JR0685	P150 Tank Spoiler LH Ind Blu+Decal	1	
	52JR0689	P150 Tank Spoiler LH Char Black+Decal	1	
	52JR0733	Tank Spoiler Lh Char Black+Whit Decal	1	
	52JR0737	Tank Spoiler Lh Char Black+M.Blue Decal	1	
14	52JR0683	P150 Tank Spoiler RH Rush Red+Decal	1	
	52JR0687	P150 Tank Spoiler RH Ind Blu+Decal	1	
	52JR0691	P150 Tank Spoiler RH Char Black+Decal	1	
	52JR0735	Tank Spoiler Rh Char Black+Whit Decal	1	
	52JR0739	Tank Spoilr Rh Char Black+M.Blue Decal	1	
15	JR233088	Decal Pulsar	2	
16	JR233487	Decal ABS LH	1	
	JR233446	Decal ABS RH	1	
17	JR233497	Decal Cover Side Outer LH	1	
	JR233498	Decal Cover Side Outer RH	1	
18	JR233501	Decal P150 Racing Rush Red LH	1	
	JR233521	Decal P150 Caribbean I Blue LH	1	
	JR233541	Decal P150 E Charcoal Black LH	1	
	JR233569	Decal P150 E Black C White LH	1	
	JR233579	Decal P150 E Black C Blue LH	1	
19	JR233502	Decal P150 Racing Rush Red RH	1	
	JR233522	Decal P150 Caribbean I Blue RH	1	
	JR233542	Decal P150 E Charcoal Black RH	1	
	Jr233570	Decal P150 E Black C White Rh	1	
	Jr233580	Decal P150 E Black C Blue RH	1	
20	JR233513	Decal Belly Pan Racing Red LH	1	
	JR233533	Decal Belly Pan C Indigo Blue LH	1	

Painted Parts and Decals



No.	Part No.	Description	Qty.	Remarks
	JR233557	Decal Belly Pan Ebony C Black LH	1	
	JR233573	Decal Belly Pan E Blk C White Lh	1	
	Jr233585	Decal Belly Pan E Blk C Blue Lh	1	
21	JR233514	Decal Belly Pan Racing Red RH	1	
	JR233534	Decal Belly Pan C Indigo Blue RH	1	
	JR233558	Decal Belly Pan Ebony C Black RH	1	
	Jr233574	Decal Belly Pan E Blk C White Rh	1	
	Jr233586	Decal Belly Pan E Blk C Blue Rh	1	
22	JR233515	Decal Wheel Racing Rush Red LH	2	
	JR233535	Decal Wheel C Indigo Blue LH	2	
	Jr233575	Decal Wheel E Blk C White Lh	2	
	Jr233587	Decal Wheel E Blk C Blue Lh	2	
	JR233516	Decal Wheel Racing Rush Red RH	2	
	JR233536	Decal Wheel C Indigo Blue RH	2	
	Jr233576	Decal Wheel E Blk C White Rh	2	
	Jr233588	Decal Wheel E Blk C Blue Rh	2	
23	36JR0134	Kit Decal Fender Racing Red	1	
	36JR0135	Kit Decal Fender Caribbean Blue	1	
	36JR0136	Kit Dcl Fender Charcoal Black	1	
24	36JR0137	Kit Decal Fairing Racing Red	1	
	36JR0138	Kit Decal Fairing C Blue	1	
	36JR0139	Kit Dcl Fairing Charcoal Black	1	
	36JR0157	Kit Decal Fairing Black-White	1	
	36JR0158	Kit Decal Fairing Black-Blue	1	
25	36JR0140	Kit Decal Tank Racing Red	1	
	36JR0141	Kit Decal Tank Blue	1	
	36JR0142	Kit Decal Tank C Black	1	
26	36JR0143	Kit Decal Tank Flap Lh Red	1	
	36JR0144	Kit Decal Tank Flap LH Blue	1	
	36JR0145	Kit Decal Tank Flap LH C Black	1	
	36JR0153	Kit Decal Tank Flap LH Black-White	1	
	36JR0155	Kit Decal Tank Flap LH Black-Blue	1	
27	36JR0146	Kit Decal Tank Flap RH Red	1	
	36JR0147	Kit Decal Tank Flap RH Blue	1	
	36JR0148	Kit Decal Tank Flap RH C Black	1	
	36JR0154	Kit Decal Tank Flap RH Black-White	1	
	36JR0156	Kit Decal Tank Flap RH Black-Blue	1	

Consumable Parts

<p>1</p> 	<p>2</p> 	<p>3</p> 
<p>4</p> 	<p>5</p> 	<p>6</p> 
<p>7</p> 	<p>8</p> 	<p>9</p> 
<p>10</p> 	<p>11</p> 	<p>12</p> 

No.	Part No.	Description	Supply Unit	Application
1	83 0206 24 83 0206 26	Oil Bajaj DTSi 10W40 1150 ml Oil Bajaj DTSi 10W40 100 ml	1.5 Ltr. 100 ML	Top up
2	36 0010 58	Bajaj Coolant Koolex*	1 Ltr.	Coolant Top-up/Replace
3	36 DH40 61	Brake Fluid DOT4	100 ml	Disc Brake Top-up/Replace
4	36 DH40 52	Silicon grease	3 gm	Caliper Pin
5	83 0204 73 36 DK00 45	Grease Petamo GHY 441 Grease Molycoat	3 gm 200 gm	Water Pump Seals For Starter Clutch Lubrication
6	36 JL01 81	Limaplex HTX 3 Grease	10 gm	Steering Race
7	83 0201 73	Multi Purpose Grease* (Local Purchase)	--	Lubrication of Clutch Lever, Brake Lever, Brake Pedal & Side Stand
8	36 0010 55	Chain Lubricant HP Make	1 kg	Non - Sealed Chain Lubrication
9	36 0010 62	Liquid gasket L5910	50 ml	Crankcase Joining
10	36 3140 04 36 JG00 87	Fork oil Fork oil 480 ml (Dominar UG)	160 ml 480 ml	Front Fork Top-up/Replace\ Front Fork Top-up/Replace\
11	36 DH40 29	Kit Spray Chain Lub	100 ml	Sealed Drive Chain
12	36 DH40 71	Wonderfill Chain Spray	100 ml	Sealed Drive Chain

* Marked items to be arrange from vendor or local market. Not applicable against chassis number.

Consumable Parts

<p>13</p> 	<p>14</p> 	<p>15</p> 
<p>16</p> 	<p>17</p> 	<p>18</p> 
<p>19</p> 	<p>20</p> 	<p>21</p> 
<p>22</p> 	<p>23</p> 	<p>24</p> 

No.	Part No.	Description	Supply Unit	Application
13	36 DH40 72	Rust Remover Spray Make - Zorric 88 & Wonder fill easiner	100 ml	For Removing Rust from Components
14	76 0109 36	Loctite Thread locker 243*	50 ml	For Screws & Bolts
15	76 0109 37	Loctite retaining compound 638*	50 ml	For Screws & Bolts
16	37 0043 52	Touch up paint slate grey*	440 ml	Touch up of Frame, Swing Arm & Step Holder
17	37 0043 53	Touch up paint Matte Silk black*	440 ml	Touch up of Grab Handle, Handle Bar & Handle Holder
18	36 0010 60	Kibatsu touch up paint*	400 cc	Touch up of Cylinder head, Block & Alloy Wheels
19	37 2240 18	Paint Bottle Schwartz Black*	--	P-200NS Frame Touch-up
20	75 6802 36 NA	Petroleum Jelly (Local Purchase) Distilled Water (Local Purchase)	-- 1 Ltr.	For Battery Terminals For Battery Level Top-up
21	NA	SAE 90 oil (Local Purchase)	-	
22	62 3050 84	WD40 Spray (Local Purchase)	400 ml	Electrical Contact Cleaning Spray
23	36 0010 56	Carburetor Cleaning Spray*		For Cleaning Carburetor/ Throttle Body
24	37 2540 39	Corrosion Protection Spray* Proto quick LTP902	--	For Preventing vehicle parts from rusting

* Marked items to be arrange from vendor or local market. Not applicable against chassis number.

Kit List



Sr No	Kit Part No.	Kit Description	Consisting of Following Parts		
			Part No.	Description	Qty/Kit
1	36JR0098	CHAIN GUIDE KIT	PD511239	GUIDE CHAIN SLACK SIDE	1
			PD511240	GUIDE CHAIN TIGHT SIDE	1
2	36JR0100	KIT PRIMARY GEAR+ CL HSG	PD531044 PD551434	GEAR PRIMARY DRIVE HOUSING ASSEMBLY CLUTCH	1 1
3	36JR0112	KIT FRICTION PLATE	YJR06009	DISC A CLUTCH FRICTION	2
			YJR06011	DISC C CLUTCH FRICTION	2
4	36JR0113	KIT CLUTCH PLATE STEEL	YJR06008	PLATE CLUTCH	3
5	36JR0103	KIT ASSLY CRANKCASE RH	PD541079	CRANKCASE ASSEMBLY RH	1
			KPBF6203	BEARING-BALL-C3	1
			KPBG6201	BEARING BALL	1
			JG531220	BALANCER BEARING	1
			JY541038	BUSH	1
			JG541021	NOZZLE JET OIL	1
6	36JR0100	KIT PRIMARY GEAR+ CL HSG	PD531044 PD551434	GEAR PRIMARY DRIVE HOUSING ASSEMBLY CLUTCH	1 1
7	36JR0098	CHAIN GUIDE KIT	PD511239	GUIDE CHAIN SLACK SIDE	1
			PD511240	GUIDE CHAIN TIGHT SIDE	1
8	36JR0112	KIT FRICTION PLATE	YJR06009	DISC A CLUTCH FRICTION	2
			YJR06011	DISC C CLUTCH FRICTION	2
9	36JR0113	KIT CLUTCH PLATE STEEL	YJR06008	PLATE CLUTCH	3
10	36JR0102	KIT ASSLY CYL HEAD	PD511081	HEAD CYLINDER	1
			JH541236	JET OIL COVER CLUTCH	1
			JE511052	NOZZLE	1

Kit List



Sr No	Kit Part No.	Kit Description	Consisting of Following Parts		
			Part No.	Description	Qty/Kit
11	36JR0103	KIT ASSLY CRANKCASE RH	PD541079	CRANKCASE ASSEMBLY RH	1
			KPBF6203	BEARING-BALL-C3 CLEARANCE-HN3	1
			KPBG6201	BEARING BALL ID12XOD32XT10XC3	1
			JG531220	BALANCER BEARING (6202/HN3C3D8)	1
			JY541038	BUSH	1
			JG541021	NOZZLE JET OIL	1
13	36DH4102	PISTON RING SET	PD521210	RING PISTON TOP_DIA 56	1
			PD521211	RING PISTON SECOND_DIA 56	1
			PD521212	RING PISTON OIL_DIA 56	1
14	36JR0128	KIT BLOCK PISTON ASSLY	PD521021	BLOCK CYLINDER	1
			DH103773	PISTON ASSEMBLY	1
15	36JR0129	KIT VALVE INTAKE+EXHAUST	PD511265	VALVE INTAKE	1
			PD511264	VALVE EXHAUST	1
16	36JR0130	KIT CHAIN SPROCKET	JR141003	CHAIN	1
			DH101117	SPROCKET DRIVE	1
			DX151021	SPROCKET DRIVEN	1
17	36JR0131	KIT VALVE REPAIR	TA511224	SEAT SPRING VALVE	2
			PD511242	SPRING VALVE	2
			PD511266	RETAINER SPRING VALVE	2
			CB101009	SEAL VALVE STEM	2
			CB101022	COTTER VALVE	4
18		KIT CLUTCH COVER MATTE COVER CLUTCH-PLUG COPPER	Pd541253		
			1		
			JH541236	JET OIL COVER CLUTCH	1
			JZ541268	WINDOW GAUGE OIL	1
			JZ541269	CIRCLIP	1
			39199020	BEARING - NEEDLE	1
			39104119	SEAL - OIL	1
			PD541316	PLUG	1

Kit List



Sr No	Kit Part No.	Kit Description	Consisting of Following Parts					
			Part No.	Description	Qty/Kit			
19		KIT ASSLY CRANKCASE LH	PD541112	CRANKCASE ASSEMBLY LH	1			
			KPBG6201	BEARING BALL ID12XOD32XT10XC3	1			
			JG531220	BALANCER BEARING (6202/HN3C3D8)	1			
			KPAF6004	BEARING BALL-ORD CLEARANCE & Hn3	1			
			PD551071	SEAL OIL	1			
			KEBA3012	CIRCLIP INTERNAL-OD 32.1XTHK 1.2	1			
			JY541038	BUSH	1			
			39104319	SEAL - OIL	1			
			20	36JR0108	KIT DCL SPORT YELLOW	JR233269	DECAL N160 SPORT YELLOW LH	1
						JR233270	DECAL N160 SPORT YELLOW RH	1
21	36JR0132	KIT HOSE UNIT ABS-CALIPER FRONT	Jr131912	HOSE UNIT ABS-CALIPER FRONT	1			
			DJ191026	COPPER WASHER	4			
			GL131827	BOLT BANJO	2			
22	36JR0133	KIT HOSE CYLINDER MASTER FR-UNIT	ABSJr131873	HOSE CYLINDER MASTER FR-UNIT ABS	1			
			DJ191026	COPPER WASHER	4			
			GL131827	BOLT BANJO	2			
23	36JR0134	KIT DECAL FENDER RACING RED	JR233503	DECAL FENDER RACING RUSH RED LH	1			
			JR233504	DECAL FENDER RACING RUSH RED RH	1			
24	36JR0135	KIT DECAL FENDER CARIBBEAN BLUE	JR233523	DECAL FENDER CARIBBEAN I BLUE LH	1			
			JR233524	DECAL FENDER CARIBBEAN I BLUE RH	1			
25	36JR0136	KIT DCL FENDER CHARCOAL BLACK	JR233543	DECAL FENDER E CHARCOAL BLACK LH	1			
			JR233544	DECAL FENDER E CHARCOAL BLACK RH	1			
26	36JR0137	KIT DECAL FAIRING RACING RED	JR233517	DECAL FAIRING FR RACING RED LH	1			
			JR233519	DECAL FAIRING RR RACING RED LH	1			
			JR233518	DECAL FAIRING FR RACING RED RH	1			
			JR233520	DECAL FAIRING RR RACING RED RH	1			
27	36JR0138	KIT DECAL FAIRING C BLUE	JR233525	DECAL FAIRING FR C I BLUE LH	1			
			JR233526	DECAL FAIRING FR C I BLUE RH	1			
			JR233527	DECAL FAIRING RR C I BLUE LH	1			
			JR233528	DECAL FAIRING RR C I BLUE RH	1			

Kit List



Sr No	Kit Part No.	Kit Description	Consisting of Following Parts		
			Part No.	Description	Qty/Kit
28	36JR0139	KIT DCL FAIRING CHARCOAL BLACK	JR233545	DECAL FAIRING FR E C BLACK LH	1
			JR233546	DECAL FAIRING FR E C BLACK RH	1
			JR233547	DECAL FAIRING RR E C BLACK LH	1
			JR233548	DECAL FAIRING RR E C BLACK RH	1
29	36JR0140	KIT DECAL TANK RACING RED	JR233505	DECAL TANK TOP UPR RACING RED LH	1
			JR233506	DECAL TANK TOP UPR RACING RED RH	1
			JR233507	DECAL TANK TOP LWR RACING RED LH	1
			JR233508	DECAL TANK TOP LWR RACING RED RH	1
30	36JR0141	KIT DECAL TANK BLUE	JR233529	DECAL TANK TOP UPR C I BLUE LH	1
			JR233530	DECAL TANK TOP UPR C I BLUE RH	1
			JR233531	DECAL TANK TOP LWR C I BLUE LH	1
			JR233532	DECAL TANK TOP LWR C I BLUE RH	1
31	36JR0142	KIT DECAL TANK C BLACK	JR233549	DECAL TANK TOP UPR E C BLACK LH	1
			JR233550	DECAL TANK TOP UPR E C BLACK RH	1
			JR233551	DECAL TANK TOP LWR E C BLACK LH	1
			JR233552	DECAL TANK TOP LWR E C BLACK RH	1
32	36JR0143	KIT DECAL TANK FLAP LH RED	JR233509	DECAL TANK FLAP UPR R RUSH R LH	1
			JR233511	DECAL TANK FLAP LWR R RUSH R LH	1
33	36JR0144	KIT DECAL TANK FLAP LH BLUE	JR233537	DECAL TANK FLAP UPR C I BLUE LH	1
			JR233539	DECAL TANK FLAP LWR C I BLUE LH	1
34	36JR0145	KIT DECAL TANK FLAP LH C BLACK	JR233553	DECAL TANK FLAP UPR E C BLACK LH	1
			JR233555	DECAL TANK FLAP LWR E C BLACK LH	1
35	36JR0146	KIT DECAL TANK FLAP RH RED	JR233510	DECAL TANK FLAP UPR R RUSH R RH	1
			JR233512	DECAL TANK FLAP LWR R RUSH R RH	1
36	36JR0147	KIT DECAL TANK FLAP RH BLUE	JR233538	DECAL TANK FLAP UPR C I BLUE RH	1
			JR233540	DECAL TANK FLAP LWR C I BLUE RH	1
37	36JR0148	KIT DECAL TANK FLAP RH C BLACK	JR233554	DECAL TANK FLAP UPR E C BLACK RH	1

Kit List



Sr No	Kit Part No.	Kit Description	Consisting of Following Parts		
			Part No.	Description	Qty/Kit

Kit List



Sr No	Kit Part No.	Kit Description	Consisting of Following Parts		
			Part No.	Description	Qty/Kit

Parts Index



Part Number	Figure No.	Page No.	Part Number	Figure No.	Page No.
1100905	17	18	39118415	7	68
1100905	25	62	39154011	20	56
24231504	5	42	39156221	11	18
30101142	6	26	39166005	11	4
30101195	4	28	39188020	12	32
30141031	20	60	39199020	7	26
30141031	20	64	39199819	10	90
30151033	9	74	39214124	39	112
30151069	8	80	39218106	3	10
30151075	13	76	39227611	5	30
30151082	24	78	39244011	5	6
30181020	14C	102	39266921	9	10
30181029	17	102	59110008	14	32
30191017	14	94	59210023	19	20
30191017	10	98	60111420	2	122
30191038	11	88	36JR0128	1	10
30191048	22	86	JR161006	1	88
39020011	28	62	36 0010 55	8	138
39069415	21	58	36 0010 56	23	140
39081411	36	112	36 0010 58	2	138
39099311	9	30	36 0010 60	18	140
39099906	3	24	36 0010 62	9	138
39099906	16	26	36 3140 04	10	138
39099906	5	28	36 DH40 29	11	138
39104319	14	20	36 DH40 52	4	138

Parts Index



Part Number	Figure No.	Page No.	Part Number	Figure No.	Page No.
36 DH40 61	3	138	36JR0054	20	86
36 DH40 71	12	138	36JR0098	5	8
36 DH40 72	13	140	36JR0100	8	12
36 DK00 45	5	138	36JR0100	11	32
36 JG00 87	10	138	36JR0112	10	32
36 JL01 81	6	138	36JR0113	3	32
36DH1902	4	82	36JR0129	2	6
36DH4102	4	10	36JR0130	27	78
36DH4174	11	86	36JR0131	10	6
36DH4175	14	86	36JR0132	3	92
36DH4177	15	86	36JR0133	2	92
36JF0018	14	82	36JR0135	22	134
36JF0019	14A	82	36JR0136	22	134
36JF0019	17	86	36JR0137	24	136
36JG0011	2	52	36JR0138	24	136
36JR0036	21	86	36JR0139	24	136
36JR0043	3	38	36JR0140	25	136
36JR0046	7	84	36JR0141	25	136
36JR0047	6	84	36JR0142	25	136
36JR0048	12	82	36JR0143	26	136
36JR0049	16	86	36JR0144	26	136
36JR0050	13	86	36JR0145	26	136
36JR0051	18	86	36JR0146	27	136
36JR0052	1	86	36JR0147	27	136
36JR0053	19	86	36JR0148	27	136

Parts Index



Part Number	Figure No.	Page No.	Part Number	Figure No.	Page No.
36JR0149	7	48	52JR0656	12	132
36JR0149	7	50	52JR0658	11	132
36JR0149	1	106	52JR0660	12	132
36JR0151	1A	20	52JR0662	11	132
36PD0112	5	36	52JR0664	12	134
37 0043 52	16	140	52JR0666	2	132
37 0043 53	17	140	52JR0667	4	132
37 2240 18	19	140	52JR0668	3	132
37 2540 39	24	140	52JR0669	5	132
52JR0199	12	122	52JR0671	2	132
52JR0201	15	18	52JR0672	4	132
52JR0208	7	132	52JR0673	3	132
52JR0209	8	132	52JR0674	5	132
52JR0241	7	132	52JR0676	2	132
52JR0242	8	132	52JR0677	4	132
52JR0635	9	132	52JR0678	3	132
52JR0636	10	132	52JR0679	5	132
52JR0638	9	132	52JR0681	13	134
52JR0639	10	132	52JR0683	14	134
52JR0641	9	132	52JR0685	13	134
52JR0642	10	132	52JR0687	14	134
52JR0643	6	132	52JR0689	13	134
52JR0645	6	132	52JR0691	14	134
52JR0647	6	132	52JR0702	1	132
52JR0654	11	132	52JR0703	1	132

Parts Index



Part Number	Figure No.	Page No.	Part Number	Figure No.	Page No.
52JR0704	1	132	56JRU2Y9	3	98
52PD1621	4	2	56JRU3Y9	20	98
52PD1622	4	20	56JRU757	13	64
52PD1698	1	28	56JRU857	29	66
52PD1703	1	22	56JRU957	1	64
52PD1704	1	26	56JRV157	2	64
56JF3S57	15	60	56JRV5Y9	17	98
56JF3T57	30	62	56JRV657	30	66
56JR1857	4	60	56JRX1X9	3A	4
56JR1857	4	64	56JZ2Z1Y	3	72
56JR1957	3	60	56JZ2Z1Y	1	74
56JR1957	3	64	56JZ3A1Y	4	72
56JR1B1Y	13	130	56JZ3A1Y	1	76
56JR3S57	15	64	56JZ611Y	4	72
56JR3X57	13	60	56JZ611Y	1	76
56JR3Y57	29	62	56PD1X1Y	15	22
56JR4J57	1	60	62 3050 84	22	140
56JR4S57	2	60	75 6802 36	20	140
56JR5U1Y	7	130	76 0109 36	14	140
56JR5V1Y	8	130	76 0109 37	15	140
56JR9J4X	1	94	83 0201 73	7	138
56JR9TY9	10	94	83 0204 73	5	138
56JR9UY9	8	94	83 0206 24	1	138
56JRA8Y9	7	94	83 0206 26	1	138
56JRD91Y	12	102	AA101437	6	22

Parts Index



Part Number	Figure No.	Page No.	Part Number	Figure No.	Page No.
AA101437	12	26	DH101185	18	30
AA201375	14	106	DH101295	6	6
AA201387	5	122	DH101389	6	16
AN131018	12	18	DH101392	8	8
BF172215	9	40	DH101671	5	10
BF182011	21	112	DH103758	6	8
BF551037	4	14	DH121327	1	34
BF551037	13	14	DH121330	4	34
CB101009	1	6	DH121331	6	34
CB101022	9	6	DH121331	6	36
CS101128	11	10	DH151029	18	56
CZ541005	32	54	DH151040	26	78
DD101097	20	30	DH161146	8	70
DD111011	5	46	DH161245	13	90
DD111012	3	46	DH171029	8	102
DD191147	15	94	Dh181115	26	96
DD191147	11	98	DH181115	18	98
DE151006	6	74	DH181122	3	52
DG101339	2	90	DH181122	21	104
DG141019	8	106	DH191006	7	88
DG141043	17	106	DH191013	8	88
DG171017	6	56	DH201124	4	124
DH101068	16	30	Dj151042	17	56
DH101117	23	14	DJ151070	3	84
DH101121	4	30	DJ151070	9	86

Parts Index



Part Number	Figure No.	Page No.	Part Number	Figure No.	Page No.
DJ181065	27	112	DK151026	17	74
DJ181065	3	114	DK151081	18	76
DJ181065	10	120	DK151097	25	78
DJ181087	8	102	DK151136	8	84
DJ181088	10	102	DK1810 18	7	102
DJ181115	4	52	DK181006	4	102
DJ191026	10	82	DK181007	5	102
DJ191026	12	92	DK181028	20	102
DJ191029	2	82	DK201188	20	122
DJ191030	3	82	DM181008	14D	102
DJ191031	5	82	DP101340	12	130
DJ191034	6	82	DP181040	7	114
DJ191035	7	82	DP181041	6	114
DJ201109	9	82	Dp201031	9	4
DJ201253	7	90	DP201031	7	6
Dk101181	15	18	DS141012	9	106
DK101185	5	90	DS151073	6	76
DK101186	3	90	DS181070	9	102
DK101187	4	90	DS201025	17	124
DK101284	12	44	DT113014	9	60
DK111028	10	4	DT113014	9	64
DK111028	6	46	DT113015	11	60
DK151012	5	76	DT113015	11	64
DK151015	12	76	DT121047	11	102
DK151026	2	72	DT161005	3	94

Parts Index



Part Number	Figure No.	Page No.	Part Number	Figure No.	Page No.
DT161005	23	100	JA541021	18	20
DT171048	26	54	JA541048	17	20
DT171073	8	114	JA621006	6	30
DT402226	21	122	JB591098	3	42
DT402227	4	122	JC101034	7	10
DT561205	8	18	JC141016	11	110
DU141271	11	40	JC151004	3	80
DV161050	21	62	JC151006	4	80
DV161050	21	64	JC151012	9	80
DY351800	2	34	JC181020	19	102
DY611202	3	34	JC191007	18	88
EC561023	2	16	JC191008	16	88
GF161143	5	60	JC191011	17	88
Gf161143	33	62	JD 1410 03	28	78
GF161143	5	64	JD113814	15	120
GH201012	16	120	JD191006	5	48
GL113216	14	70	JD191006	5	50
GL113811	12	124	JD401032	19	120
GL113812	13	124	JD402212	3	122
GL131827	11	82	JD402215	13	70
GL131827	4	86	JE351212	4	46
GL131827	11	92	JE351407	12	10
GL171036	7	40	JE511234	2	8
GL181817	33	112	JE511271	2	8
GL561049	4	18	JE541242	10	26

Parts Index



Part Number	Figure No.	Page No.	Part Number	Figure No.	Page No.
JE541249	11	26	JG131219	11	76
JF113012	22	62	JG131220	15	76
JF113012	22	64	JG151013	21	96
JF131008	2	74	JG151022	2	94
JF131010	1	72	JG151022	22	100
Jf131022	5	74	JG161008	11	94
JF131209	18	76	JG161008	15	98
JF131211	5	72	JG161010	1	82
JF131222	5	72	JG171030	6	40
JF131236	2	76	JG171031	21	68
JF131600	6	80	JG181238	2	116
JF131837	8	82	JG401426	18	94
JF151054	22	96	JG401426	25	100
JF151055	25	96	JG402228	4A	122
JF161008	16	94	JG402229	4B	122
JF181277	12	110	JG402230	6	122
JF181278	4	114	JG511270	10	10
JF401415	6	70	JG531220	4	22
JF401803	10	122	JG541059	5	22
JF402006	6	124	JG541230	8	26
JF403000	3	124	JG551019	22	14
JF591334	6	42	JG551021	21	14
JF591334	28	54	JG551428	15	32
JG 5814 23	7	36	JG571014	13	22
JG113207	3	70	JG581056	9	38

Parts Index



Part Number	Figure No.	Page No.	Part Number	Figure No.	Page No.
JR121008	18	102	JR131878	8	92
JR121105	24	104	JR131913	3	86
JR121106	25	104	JR131936	1	92
JR122004	1	56	JR131938	1	92
JR122010	13	56	JR151041	12	102
JR122040	2	56	JR151044	21	100
JR122041	3	114	JR151046	2	98
JR122042	1	114	JR151070	6	52
JR122066	7	56	JR151070	22	104
JR122068	3	56	JR161007	4	88
JR122092	15	56	JR161035	16	94
JR122101	1	56	JR161043	1	90
JR131058	11	74	JR161204	2	118
JR131062	3	74	JR161210	1	118
JR131083	14	76	JR161227	2	118
JR131245	9	76	JR161228	1	118
JR131259	13	76	JR171025	8	108
JR131261	4	76	JR171026	9	108
JR131801	10	74	JR171105	3	108
JR131807	1	84	JR171109	16	106
JR131827	5	84	JR171122	1	40
JR131829	2	86	JR171620	2	40
JR131838	5	88	JR171621	14	40
JR131839	3	88	JR171803	8	40
JR131872	2	80	JR171805	11	40

Parts Index



Part Number	Figure No.	Page No.	Part Number	Figure No.	Page No.
JR171815	4	40	JR181905	2	110
JR171816	5	40	JR181907	4	110
JR171820	12	106	JR181908	41	112
JR171823	13	40	JR181928	6	110
JR181004	4	68	JR181941	11	56
JR181024	8	122	JR183577	11	56
JR181024	1	128	JR183585	11	108
JR181036	20	108	JR191011	1	48
JR181037	19	108	JR191021	15	52
JR181234	7	110	JR191025	1	50
JR181240	5	110	JR191028	4	50
JR181249	38	112	JR231202	1	130
JR181399	4	108	JR231203	1A	130
JR181407	13	68	JR231216	10	130
JR181439	3	68	JR231602	5	130
JR181441	18	68	JR231603	6	130
JR181458	19	68	JR232607	8	48
JR181461	16	68	JR232607	8	50
JR181465	1	68	JR232611	6	48
JR181738	1	108	JR232611	6	50
JR181758	1	114	JR232611	4	106
JR181759	2	114	JR232613	4	48
JR181768	18	108	JR232613	10	50
JR181781	30	112	JR232817	8	110
JR181904	3	110	JR233088	15	134

Parts Index



Part Number	Figure No.	Page No.	Part Number	Figure No.	Page No.
JR233432	10	28	JR401011	4	120
JR233446	16	134	JR401019	14	68
JR233487	16	134	JR401019	18	120
JR233496	18	26	JR401026	1	120
JR233497	17	134	JR401027	2	120
JR233498	17	134	JR401035	1	110
JR233501	18	134	JR401420	12	94
JR233502	19	134	JR401420	16	98
JR233513	20	134	JR401422	27	96
JR233514	21	134	JR401422	24	100
JR233515	22	134	JR401605	1	124
JR233516	22	134	JR402219	18	122
JR233521	18	134	JR402220	16	122
JR233522	19	134	JR402267	1	122
JR233533	20	134	JR402270	1	122
JR233534	21	134	JR402432	1	116
JR233535	22	134	JR402600	10	106
JR233536	22	134	JR403401	2	108
JR233541	18	134	JR403401	15	124
JR233542	19	134	JR403608	16	74
JR233557	20	134	JR403608	21	78
JR233558	21	134	JR561202	7	18
JR351433	7	122	JR561400	15	18
JR401008	12	120	JR561402	7A	18
JR401010	5	120	JR561404	9	18

Parts Index



Part Number	Figure No.	Page No.	Part Number	Figure No.	Page No.
JR561408	9	18	JZ541268	13	26
JU161002	9	90	JZ541269	14	26
JU171606	14	40	JZ621008	12	30
JU232817	15	122	KAAD0822	2	68
JU401024	15	68	KAAG0625	14	88
JY113930	10	114	KACA0622	10A	124
JY401404	18	94	KACA0622	14	124
JY401404	25	100	KACA0630	10	124
JY403604	8	124	KACF0516	2	106
JY531008	9	12	KACF0830	23	96
JY541039	3	16	KACF0830	19	98
JY561004	10	16	KACG0610	11	106
JY561007	4	16	KACG0645	5	94
JY571030	15	20	KACG0645	5	98
JY591303	12	42	KADA0512	19	44
JZ122012	8	56	KADA0618	2	46
JZ151091	6	102	KADA0622	19	30
JZ161028	13	94	KADC0612	24	86
JZ161028	7	98	KADD0610	10	92
JZ171124	9	114	KADD0622	16	18
JZ181290	40	112	KADD0622	11	124
JZ181322	24	52	KADD0625	3	2
JZ181356	20	52	KADD0860	13	52
JZ401077	23	104	KADF0525	15	110
JZ403601	5	70	KADF0610	11	68

Parts Index



Part Number	Figure No.	Page No.	Part Number	Figure No.	Page No.
KADF0610	10	88	KAED0814	33	54
KADF0614	10	86	KBBC0512	9	68
KADF0618	19	52	KBCA0620	9	48
KADF0618	13	122	KBCA0620	9	50
KADF0622	17	94	KBRA4213	5	108
KADF0635	7	80	KBRA4213	10	110
KADF0814	9	124	KBRA4816	8	120
KADJ0860	5	52	KBUA0512	5	114
KADJ10D5	9	52	KBUA0608	10	108
KADJ10D5	4	130	KBUA0625	13	38
KADT0614	22	78	KBUC0510	20	68
KADT0625	9	98	KBUC0510	34	112
KAED0608	6	92	KBUC0510	17	120
KAED0610	11	38	KBUF0512	9	114
KAED0616	16	22	KCAA1008	23	58
KAED0618	25	52	KCAC0504	4	116
KAED0620	6	2	KCAD0605	15	88
KAED0620	8	10	KCAM0605	14	18
KAED0620	17	44	KCBA1006	18	110
KAED0622	13	4	KCBA1006	6	120
KAED0635	17	26	KCGA0505	15	106
KAED0650	6	28	KCGA0606	12	40
KAED0650	9	28	KCGC0505	17	68
KAED0670	5	20	KCGC0606	22	68
KAED0670	20	20	KCGC0606	37	112

Parts Index



Part Number	Figure No.	Page No.	Part Number	Figure No.	Page No.
KCGD0505	16	124	KEBB3715	8	74
KCGF0808	10	52	KEBC3012	9	20
KCJD1212	15	74	KFAB4050	5	12
KDAA0611	7	86	KHAA2015	8	86
KDAA0611	12	88	KHAA2015	13	88
KDAA0816	19	60	KHAA2520	10	60
KDAA0816	19	64	KHAA2520	18	60
KDAA1018	20	110	KHAA2520	10	64
KDAA1018	20	120	KHBA0828	22	58
KDAB1018	16	108	KJAA1424	9	88
KDAB1222	14	74	KJAA2024	10	20
KDAE0510	10	68	KJAB1424	9	26
KDAE0510	9	120	KJAC3535	5	2
KDBA0512	9	110	KMAA0800	6	60
KDBB0512	17	110	KMAA0800	34	62
KDBB0613	11	114	KMAA0800	6	64
KDBB0818	13	98	KPAC6005	10	76
KDDB0612	9	56	KPAF6004	6	20
KDDB1018	19	56	KPBB6202	23	78
KDFB1018	19	110	KPBB6301	4	74
KDFB1018	7	120	KPBB6301	7	74
KEAB1310	10	30	KPBB6302	16	76
KEAB1610	13	30	KPBF6203	2	22
KEBA4217	17	76	KPBG6201	7	20
KEBB3515	3	8	KPBG6201	3	22

Parts Index



Part Number	Figure No.	Page No.	Part Number	Figure No.	Page No.
LAA00091	10	70	LAD00244	3	106
LAA00095	24	58	LAD00270	11	90
LAC00020	14	98	LAD00311	31	112
LAC00045	9	130	LAD00315	11	52
LAC00054	28	112	LAD00318	10	56
LAC00059	12	98	LAD00319	4	84
LAC00071	26	104	LAE00010	13	20
LAC00084	12	22	LAE00017	20	14
LAC00092	24	96	LAE00018	2	24
LAC00104	19	18	LAE00021	7	92
LAC00104	24	62	LAE00040	24	112
LAC00105	14	56	LAE00042	11	20
LAC00111	9	94	LAE00042	13	44
LAC00122	5	114	LAE00043	8	4
LAC00185	12	60	LAE00075	27	66
LAC00185	12	64	LAE00082	6	106
LAC00191	2	114	LBB00007	12	20
LAC00197	12	74	LBB00020	15	76
LAC00204	17	30	LBC00003	5	4
LAC00213	6	4	LBU00012	19	94
LAC00216	27	62	LBU00012	8	98
LAD00077	5	86	LBU00099	13	110
LAD00085	12	90	LBU00116	12	56
LAD00176	2	30	LBU00131	6	108
LAD00230	7	8	LBU00131	6	114

Parts Index



Part Number	Figure No.	Page No.	Part Number	Figure No.	Page No.
LBU00132	14	108	LDA00030	12	14
LBU00132	26	112	LDA00031	7	108
LBU00134	8	114	LDA00056	9	14
LBU00144	15	108	LDA00069	19	88
LBU00155	7	114	LDA00071	28	66
LBU00168	16	56	LDB00001	3	76
LBU00172	16	110	LDB00001	19	78
LBU00210	4	114	LDB00007	3	116
LCB00003	13	18	LDB00023	18	52
LCB00005	8	76	LDB00023	14	122
LCG00002	2	12	LDB00026	17	60
LCG00006	8	42	LDB00026	17	64
LCG00031	13	32	LDB00034	10	18
LCH00001	4	70	LDB00034	24	64
LCH00001	12	70	LDB00050	9	22
LCH00001	20	94	LDB00071	5	18
LCJ00002	20	78	LDB00074	35	112
LCL00001	3	120	LDB00084	5	92
LCL00002	5	80	LDB00091	4	12
LCL00007	3	130	LDB00091	11	44
LDA00014	7	4	LFB00001	6	12
LDA00018	21	108	LHA00001	6	86
LDA00026	11	22	LHE00003	23	62
LDA00028	2	130	LHE00003	23	64
LDA00030	6	14	LJA00004	16	20

Parts Index



Part Number	Figure No.	Page No.	Part Number	Figure No.	Page No.
LJA00022	14	22	PD511218	3	6
LJA00037	11	6	PD511317	4	6
PA161004	6	88	PD511502	2	4
PA161004	8	90	PD511502	2	10
PA191010	3	48	PD511573	2	2
PA191010	3	50	PD511576	1	2
PA581036	6	38	PD511625	2	4
PA581053	13	120	PD511625	2	10
PD171003	7	106	PD521005	6	10
PD233122	7	28	PD531013	7	12
PD351007	2	44	PD531022	1	12
PD351022	3	44	PD531046	7	12
PD351028	2	20	PD531052	3	12
PD351057	2	44	PD531052	10	44
PD351262	1	46	PD531204	10	12
PD351425	7	122	PD541028	7	22
PD351608	4	44	PD541048	3	20
PD402211	12	68	PD541050	14	44
PD501060	1	20	PD541231	8	28
PD501114	1	20	PD541239	5	26
PD511084	6	8	PD541264	3	26
PD511085	8	6	PD541265	7	32
PD511193	4	8	PD541271	18	44
PD511195	1	4	PD541272	2	28
PD511216	1	8	PD541314	8	28

Parts Index



Part Number	Figure No.	Page No.	Part Number	Figure No.	Page No.
PD551018	10	14	PD571012	1	24
PD551056	1	14	PD581035	8	38
PD551071	8	20	PD581037	4	38
PD551257	2	14	PD581052	2	38
PD551261	6	32	PD581098	10	38
PD551262	8	14	PD581135	5	38
PD551263	5	14	PD581137	1	38
PD551264	3	14	PD581143	1	38
PD551265	7	14	PD581404	3	4
PD551266	16	14	PD581444	12	4
PD551267	17	14	PD591100	13	42
PD551268	11	14	PD591101	11	42
PD551269	14	14	PD591158	9	42
PD551270	18	14	PD591608	2	42
PD551438	1	32	PD591625	1	42
PD561011	1	16	PD591630	10	42
PD561012	5	16	PD591652	1	42
PD561013	7	16	PD611222	4	36
PD561014	8	16	PD611224	1	36
PD561015	9	16	PD621003	1	30
PD561215	8	22	PD621008	3	30
PD561229	1	18	PD621009	11	30
PD561233	2	18	PD621012	8	30
PD561236	3	18	PD621020	7	30
PD561237	10	22	PD621200	14	30

